



US00D340366S

United States Patent [19]

[11] Patent Number: **Des. 340,366**

LaMalle

[45] Date of Patent: **** Oct. 19, 1993**

[54] CHAIR

[75] Inventor: **Christian LaMalle, Saint Ismier, France**

[73] Assignee: **Allibert S.A., Grenoble, France**

[**] Term: **14 Years**

[21] Appl. No.: **626,860**

[22] Filed: **Dec. 13, 1990**

[30] **Foreign Application Priority Data**

Jun. 14, 1990 [WO] World Int. Prop. O. DM/016919

[52] U.S. Cl. **D6/375; D6/369; D6/380**

[58] Field of Search **D6/334, 369, 370, 374, D6/375, 376, 379, 380, 500, 501, 502; 297/DIG. 2, 239, 418, 419**

[56] **References Cited**

U.S. PATENT DOCUMENTS

D. 128,938 8/1941 Jiranek D6/380

D. 234,241	2/1975	Onoguchi	D6/380
D. 235,829	7/1975	Dransart	D6/375
D. 236,862	9/1975	Grosfillex	D6/374 X
D. 303,736	10/1989	Grosfillex	D6/379
D. 317,088	5/1991	Grosfillex	D6/370 X
D. 329,772	9/1992	Hubert	D6/502
3,874,726	4/1975	Sebel et al.	D6/374 X

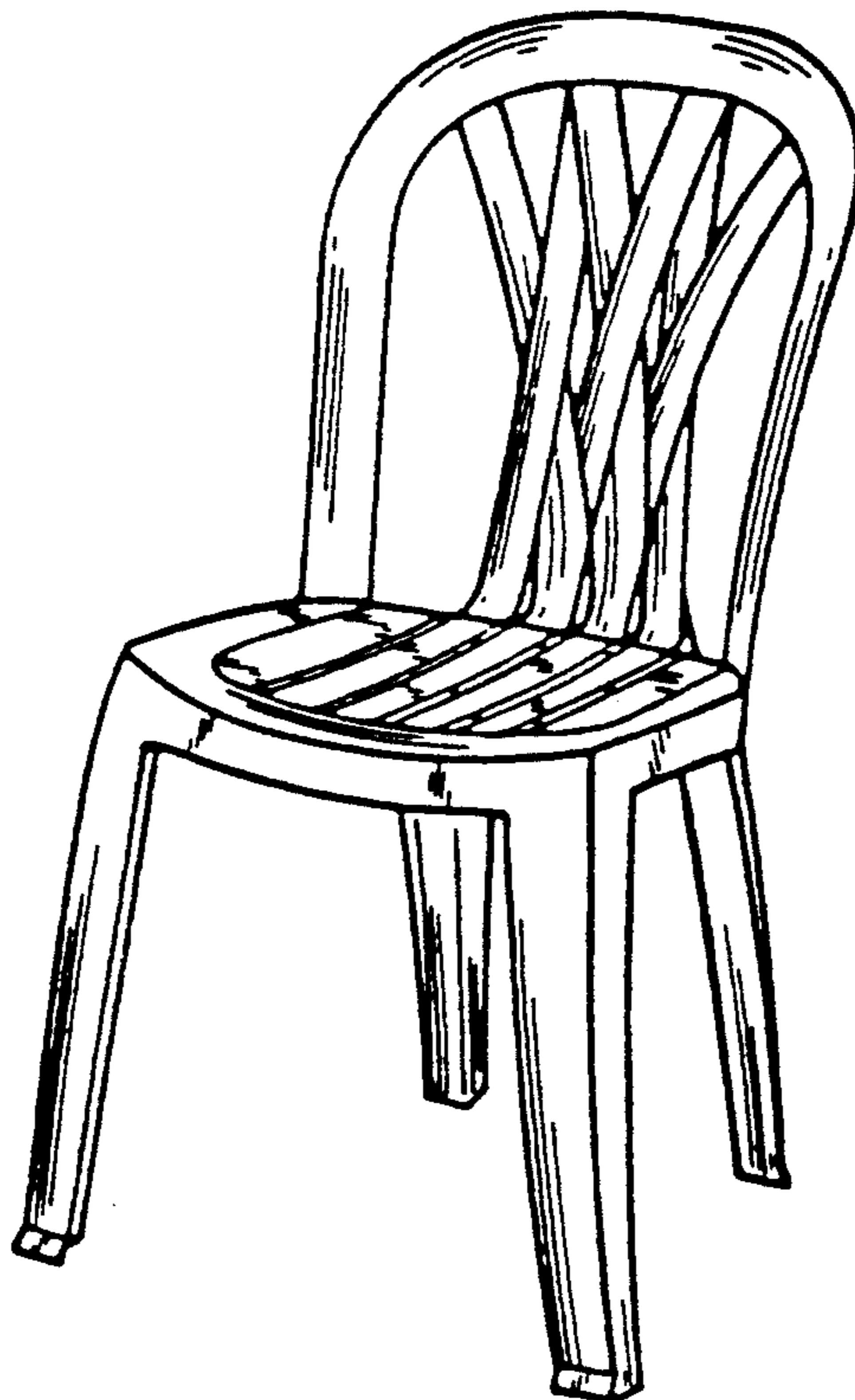
Primary Examiner—Alan P. Douglas
Assistant Examiner—Gary D. Watson
Attorney, Agent, or Firm—Foley & Lardner

[57] **CLAIM**

The ornamental design for a chair, as shown and described.

DESCRIPTION

FIG. 1 is a front perspective view of a chair showing my new design;
FIG. 2 is a front view thereof;
FIG. 3 is a top view thereof;
FIG. 4 is a bottom view thereof;
FIG. 5 is a side view thereof; and,
FIG. 6 is a rear view thereof.



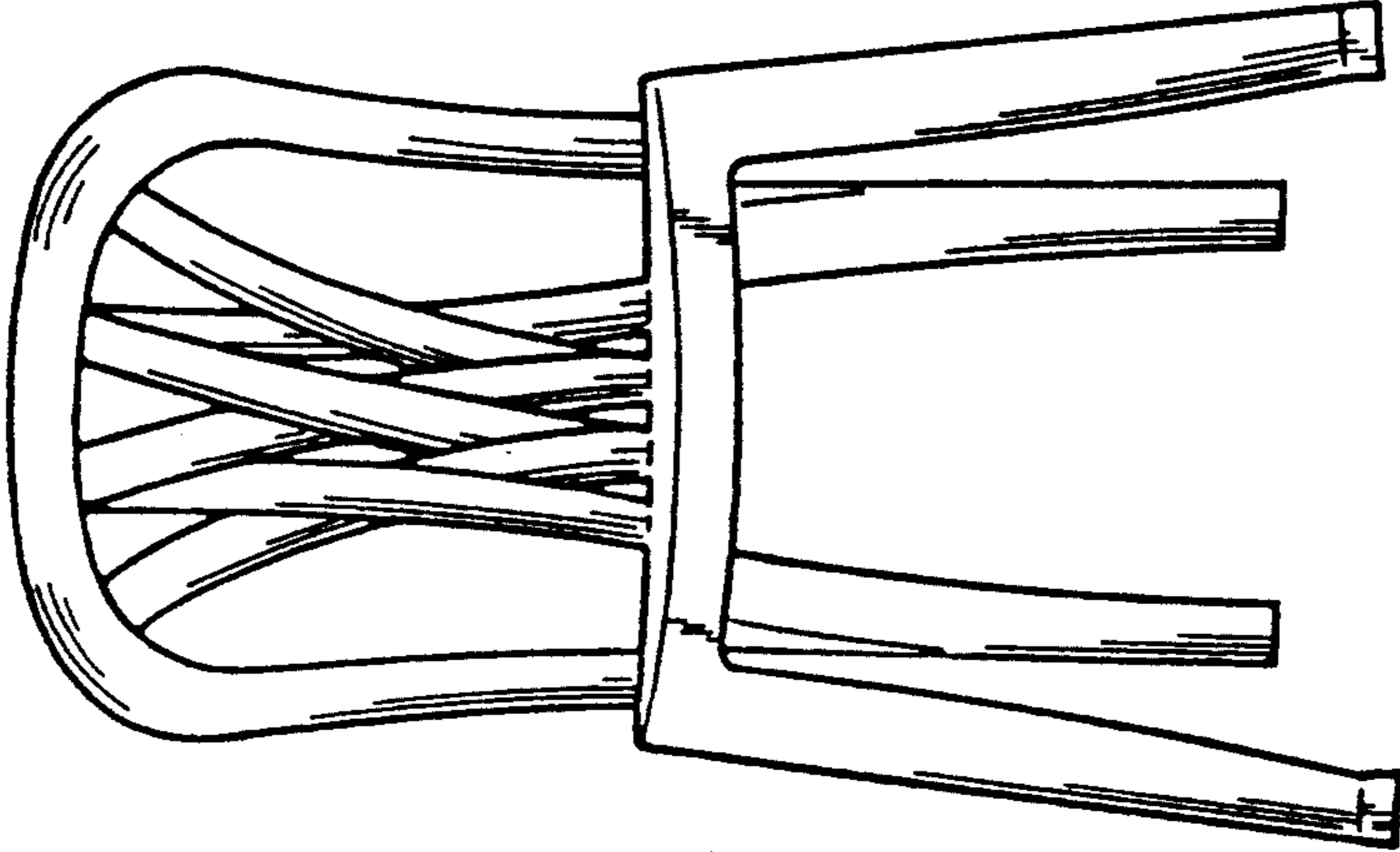


FIG 2

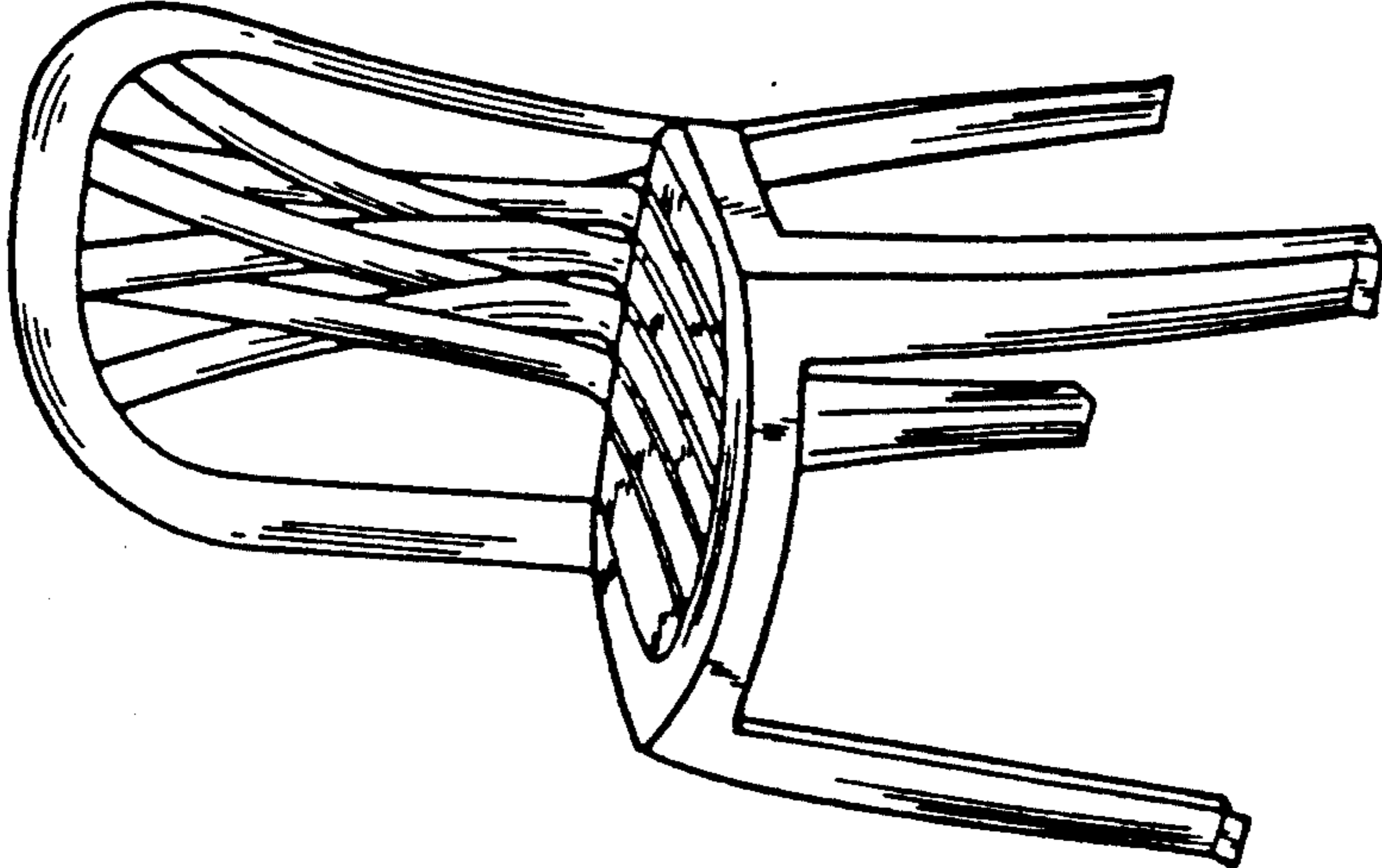


FIG 1

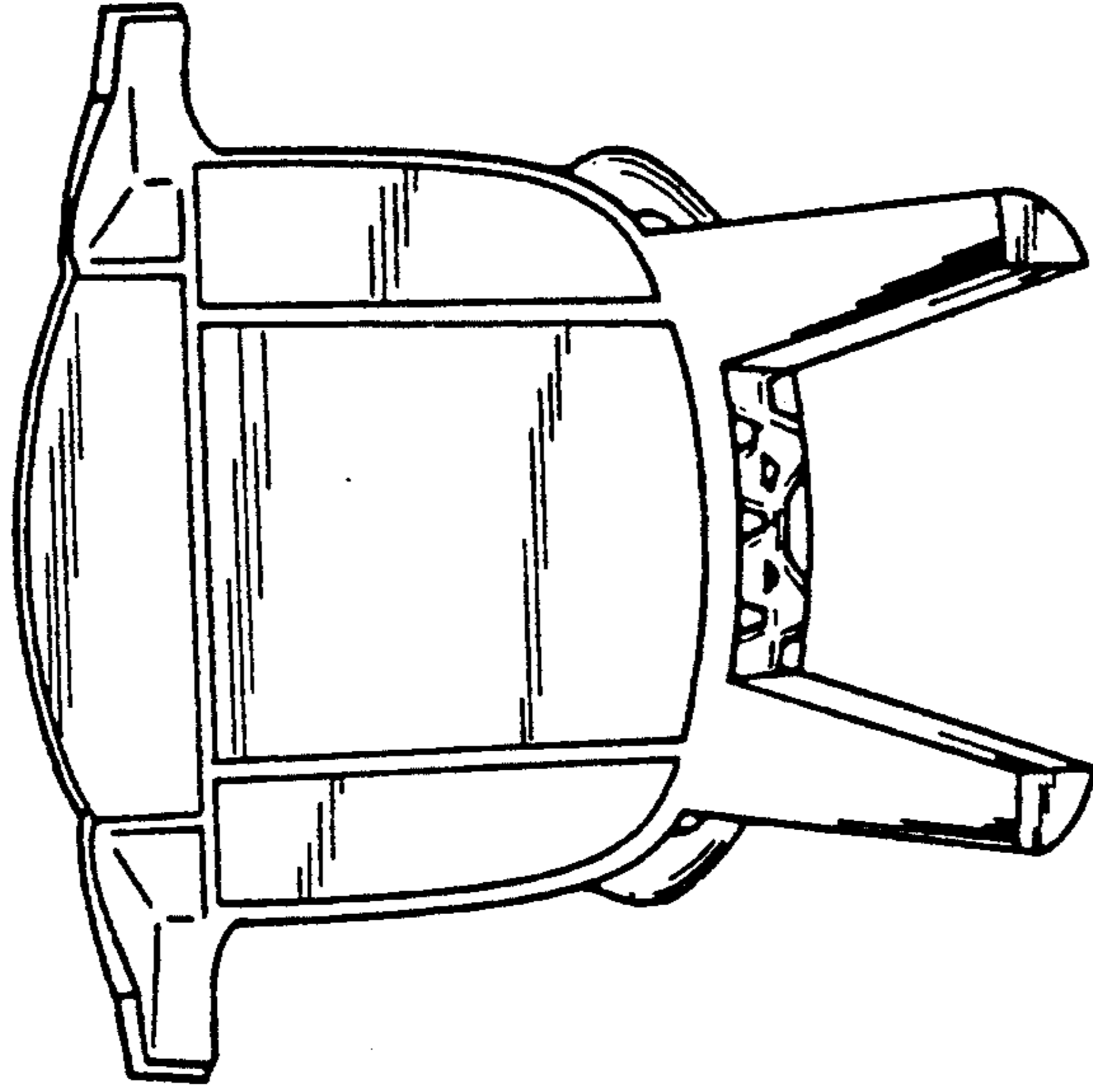


FIG 4

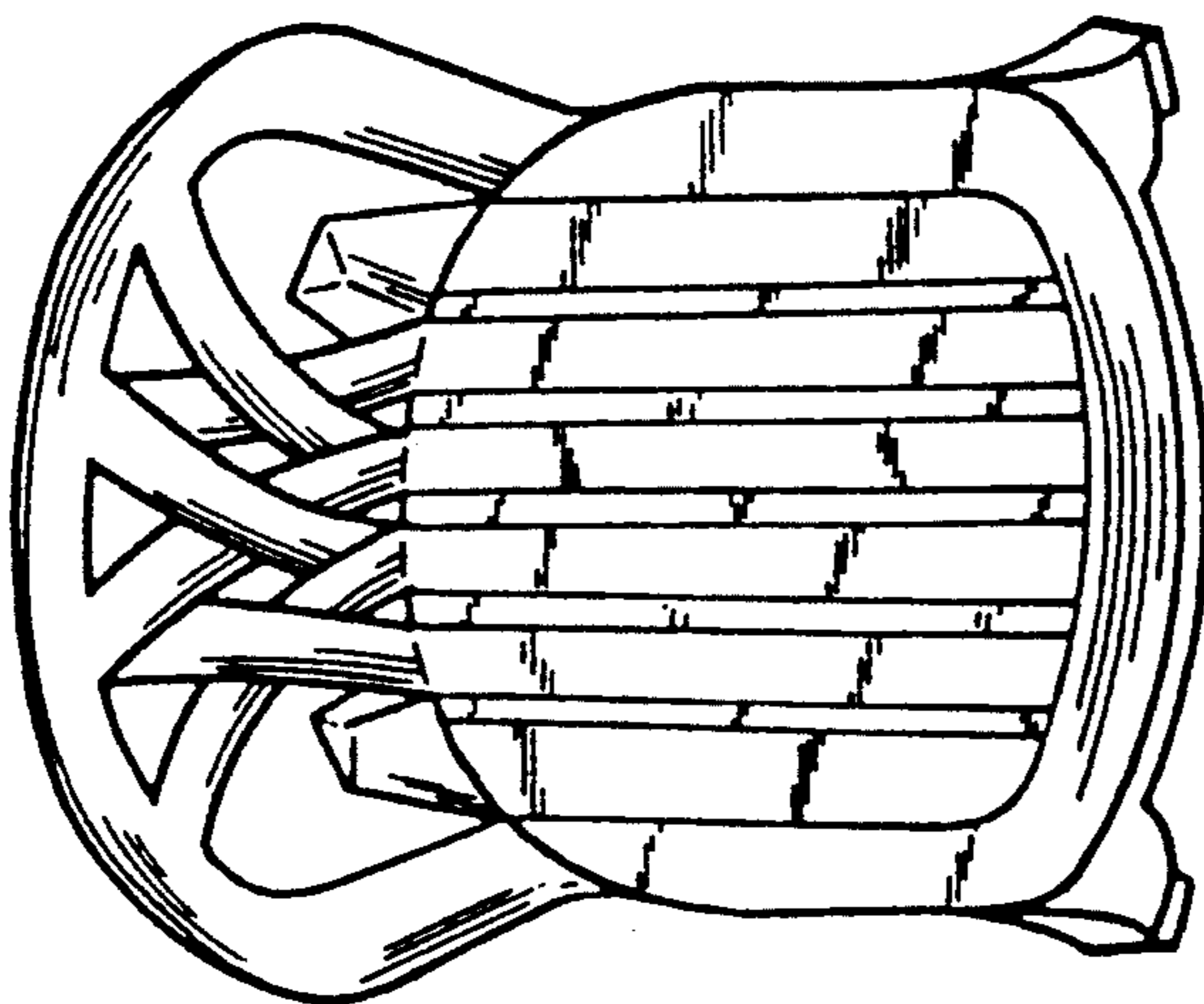


FIG 3

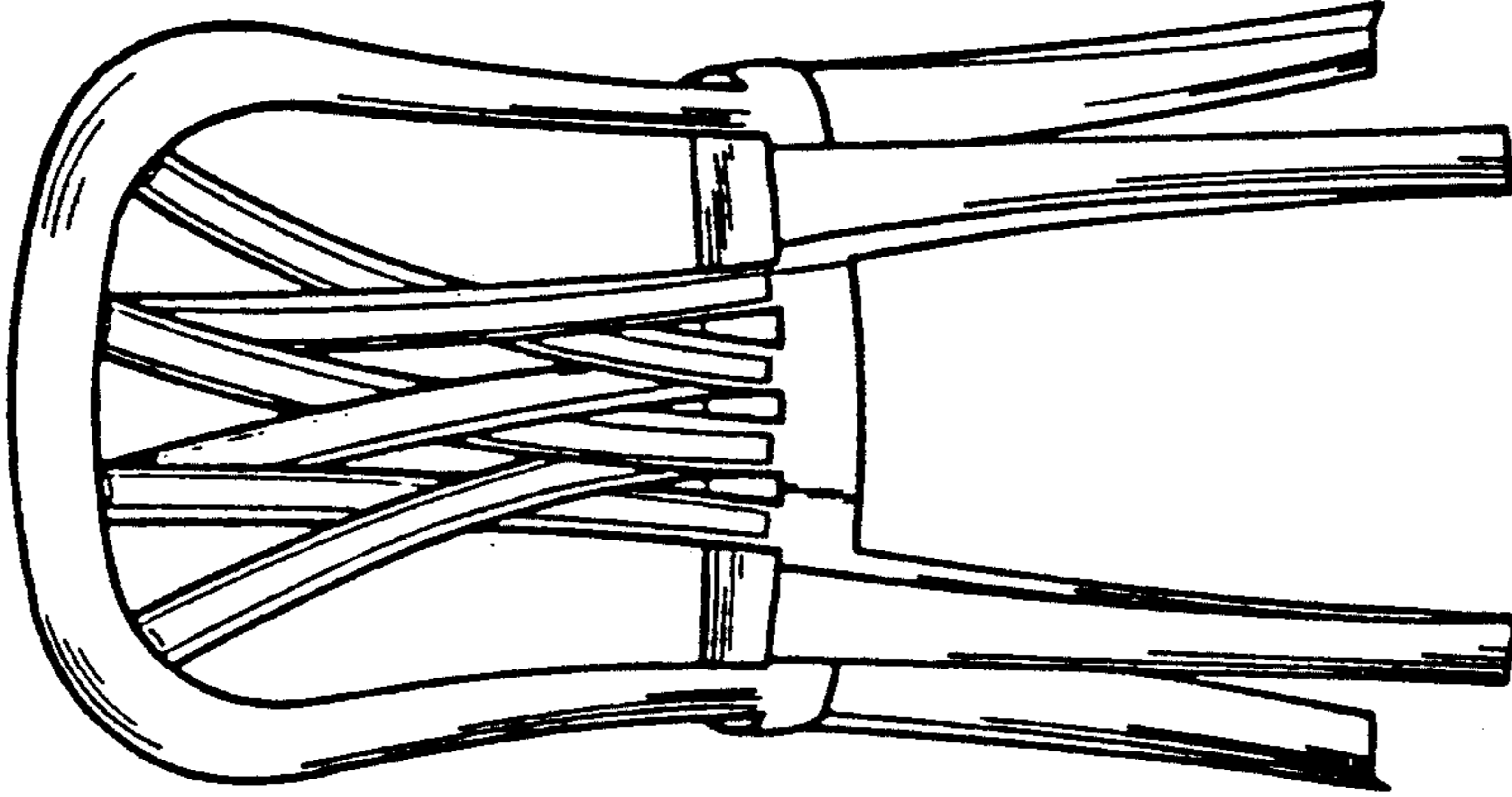


FIG 6

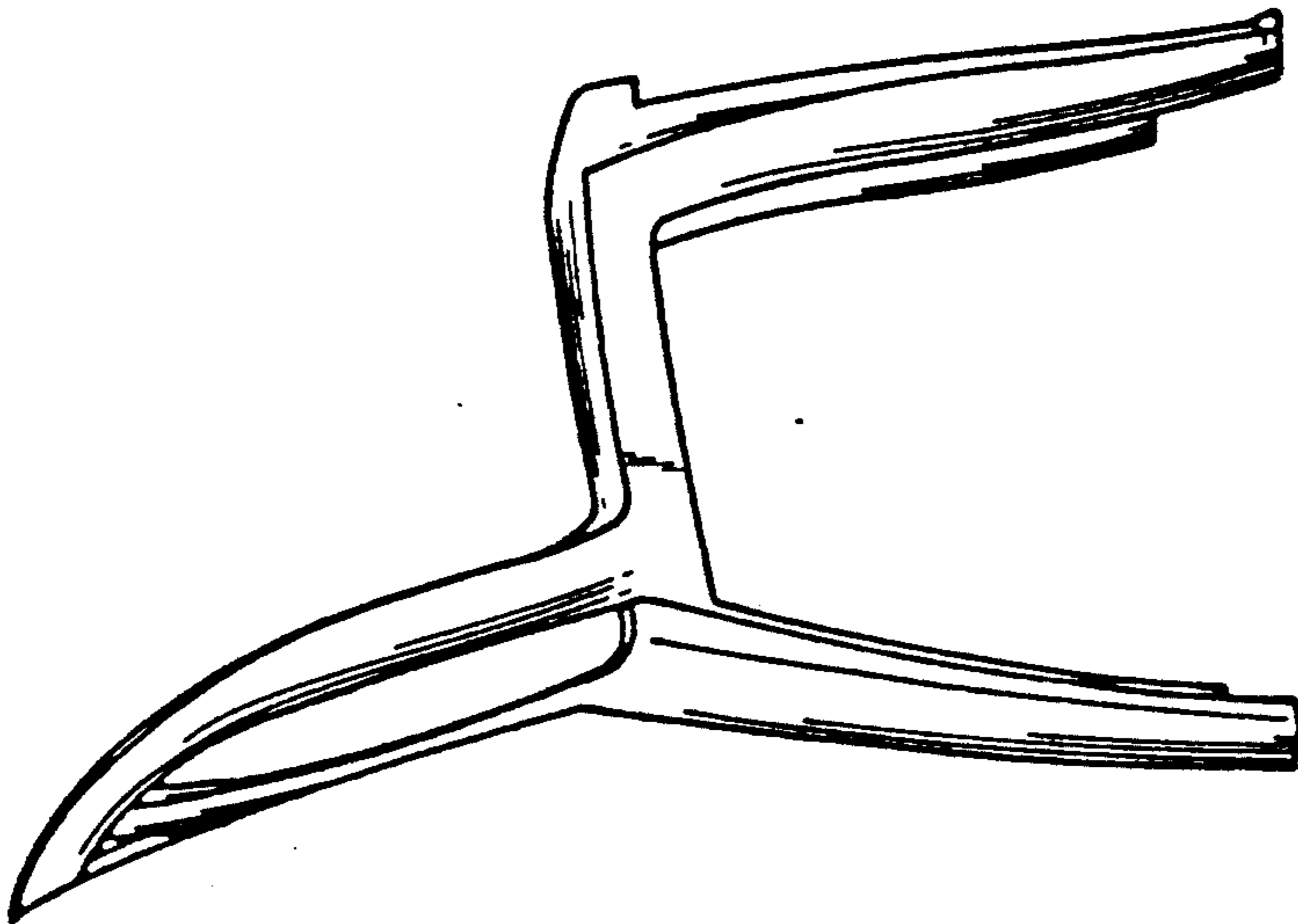


FIG 5