



US00D340361S

# United States Patent [19] Tseng

[11] Patent Number: **Des. 340,361**

[45] Date of Patent: **\*\* Oct. 19, 1993**

[54] **LAWN CHAIR**

[76] Inventor: **Chuen-Jong Tseng, No. 181,  
Pu-Tzepu, Wan-Chao Tsun,  
Chu-Chee Hsiang, Chiayi Hsien,  
Taiwan**

[\*] Notice: The portion of the term of this patent subsequent to Apr. 27, 2007 has been disclaimed.

[\*\*] Term: **14 Years**

[21] Appl. No.: **565,110**

[22] Filed: **Aug. 9, 1990**

[52] U.S. Cl. .... **D6/365; D6/344;  
D6/370**

[58] Field of Search ..... **D6/334, 344, 364, 365,  
D6/366, 367, 368, 369, 370, 374, 375, 376, 379,  
380, 500, 501, 502; 297/260, 418, 419, 445**

[56] **References Cited**

**U.S. PATENT DOCUMENTS**

D. 299,986 2/1989 Doughty ..... D6/344  
D. 300,090 3/1989 Frinier ..... D6/344  
D. 325,305 4/1992 Sottsass et al. .... D6/379

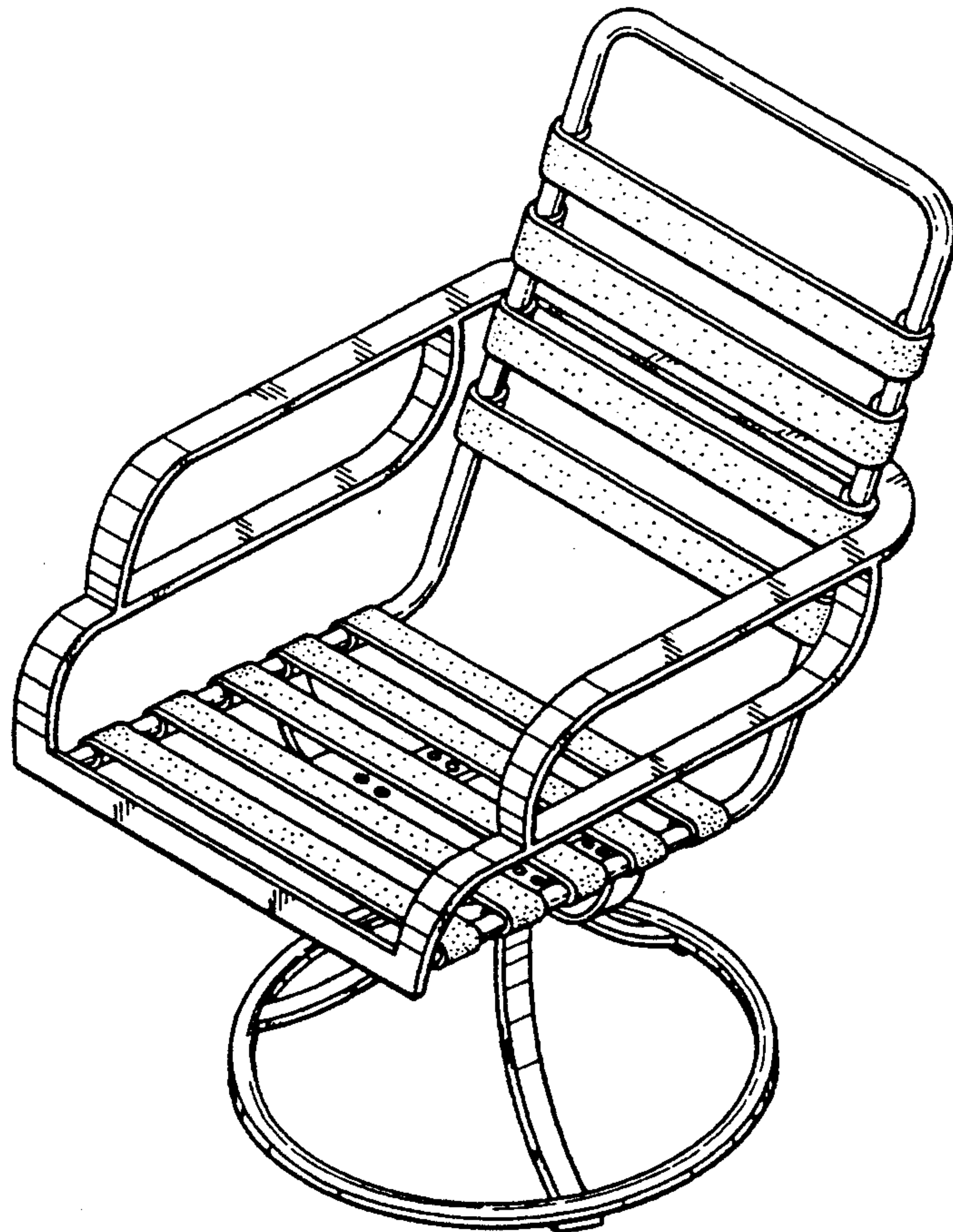
*Primary Examiner*—Alan P. Douglas  
*Assistant Examiner*—Gary D. Watson

[57] **CLAIM**

The ornamental design for a lawn chair, as shown and described.

**DESCRIPTION**

FIG. 1 is a perspective view of lawn chair showing my new design;  
FIG. 2 is a front elevational view thereof;  
FIG. 3 is a rear elevational view thereof;  
FIG. 4 is a left side view thereof;  
FIG. 5 is a right side view thereof;  
FIG. 6 is a top plan view thereof; and,  
FIG. 7 is a bottom plan view thereof.



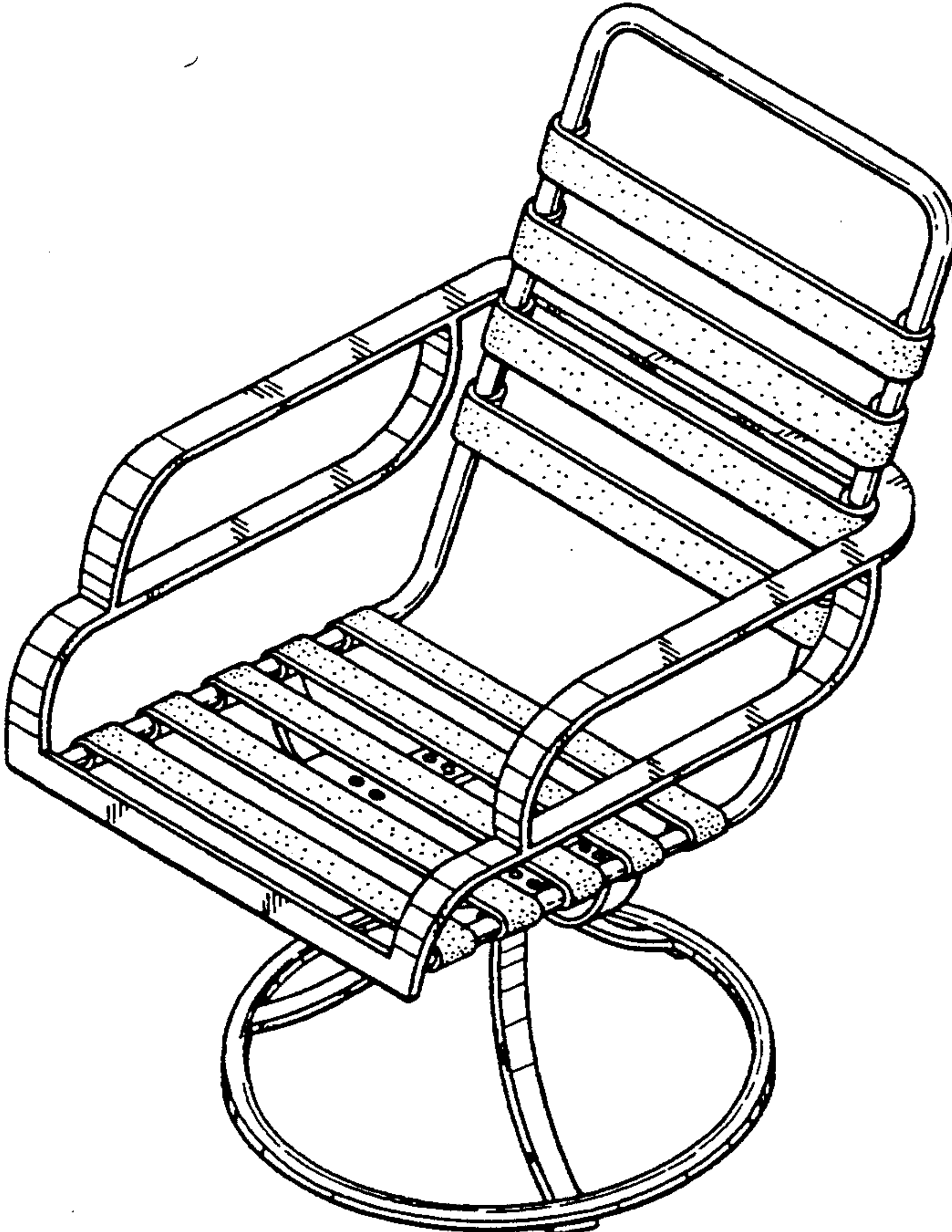


FIG. 1

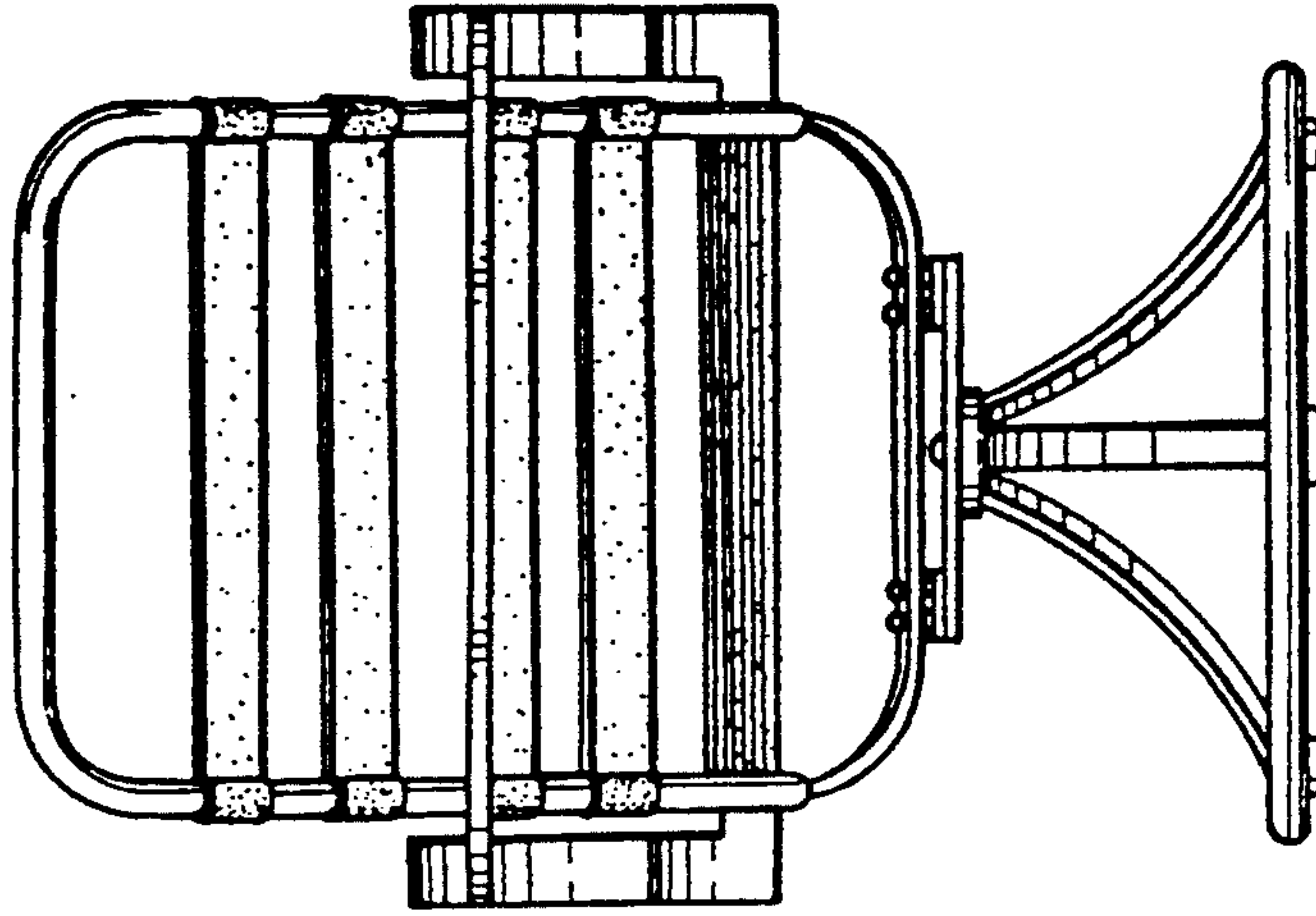


FIG. 3

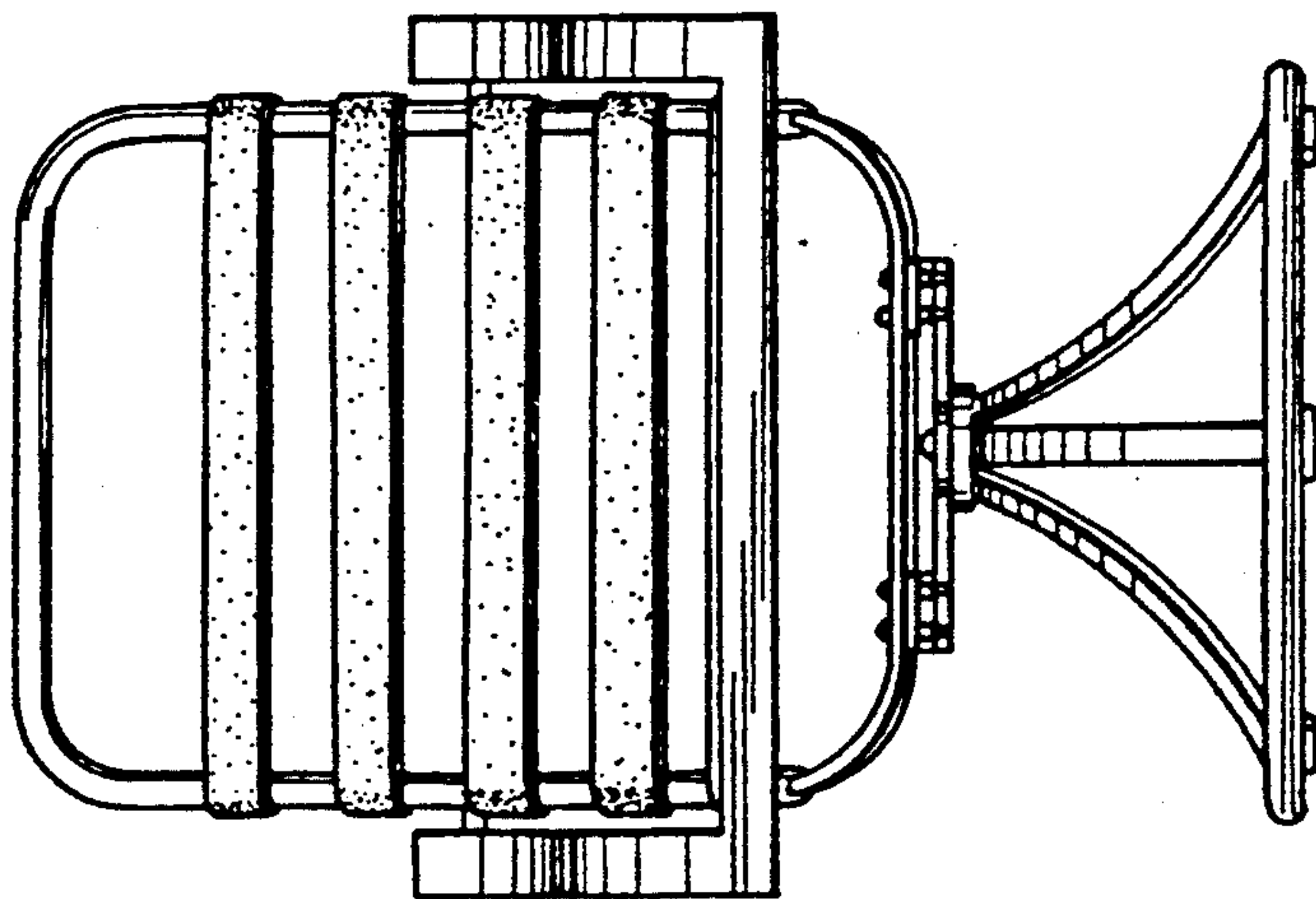


FIG. 2

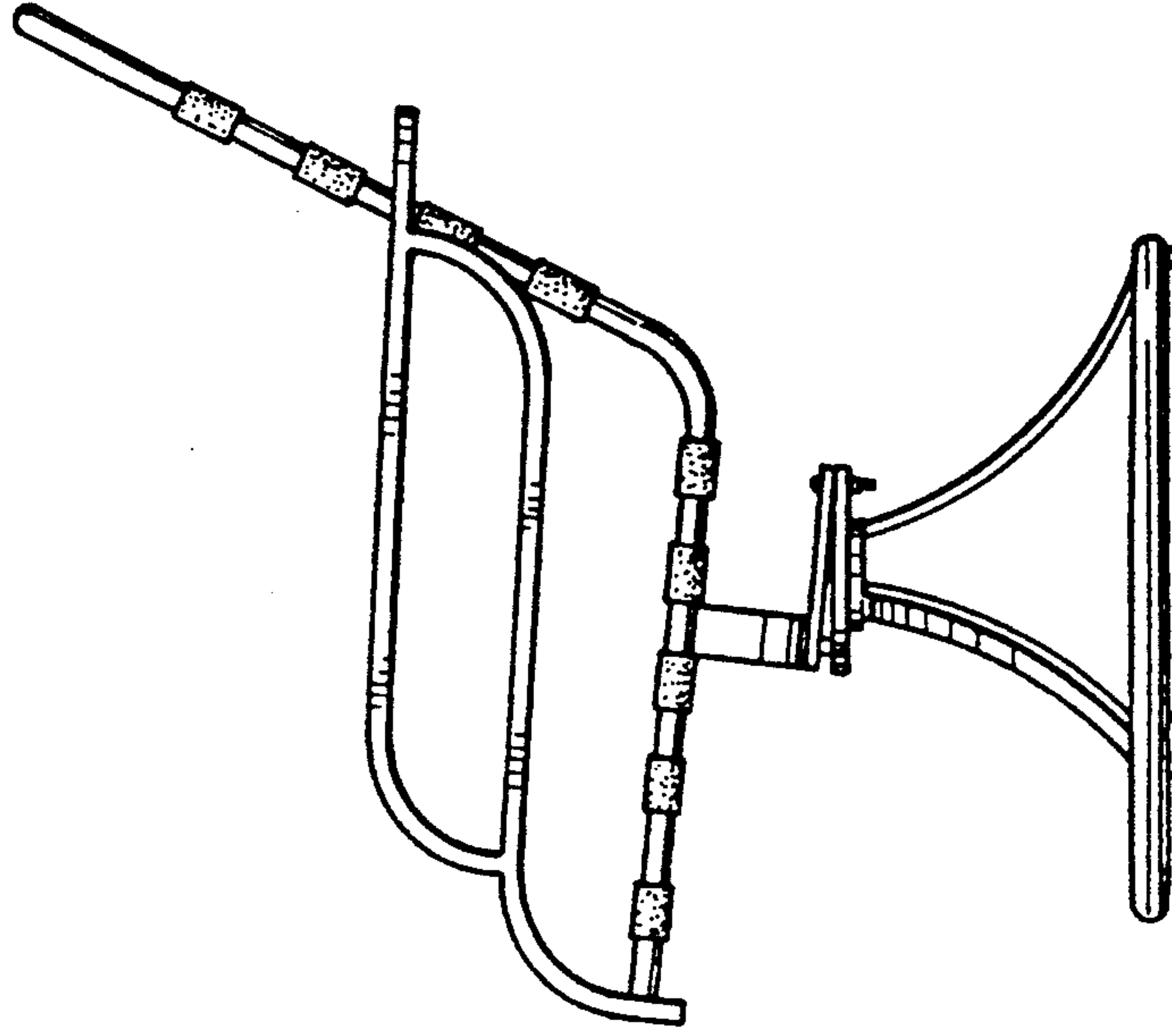


FIG. 5

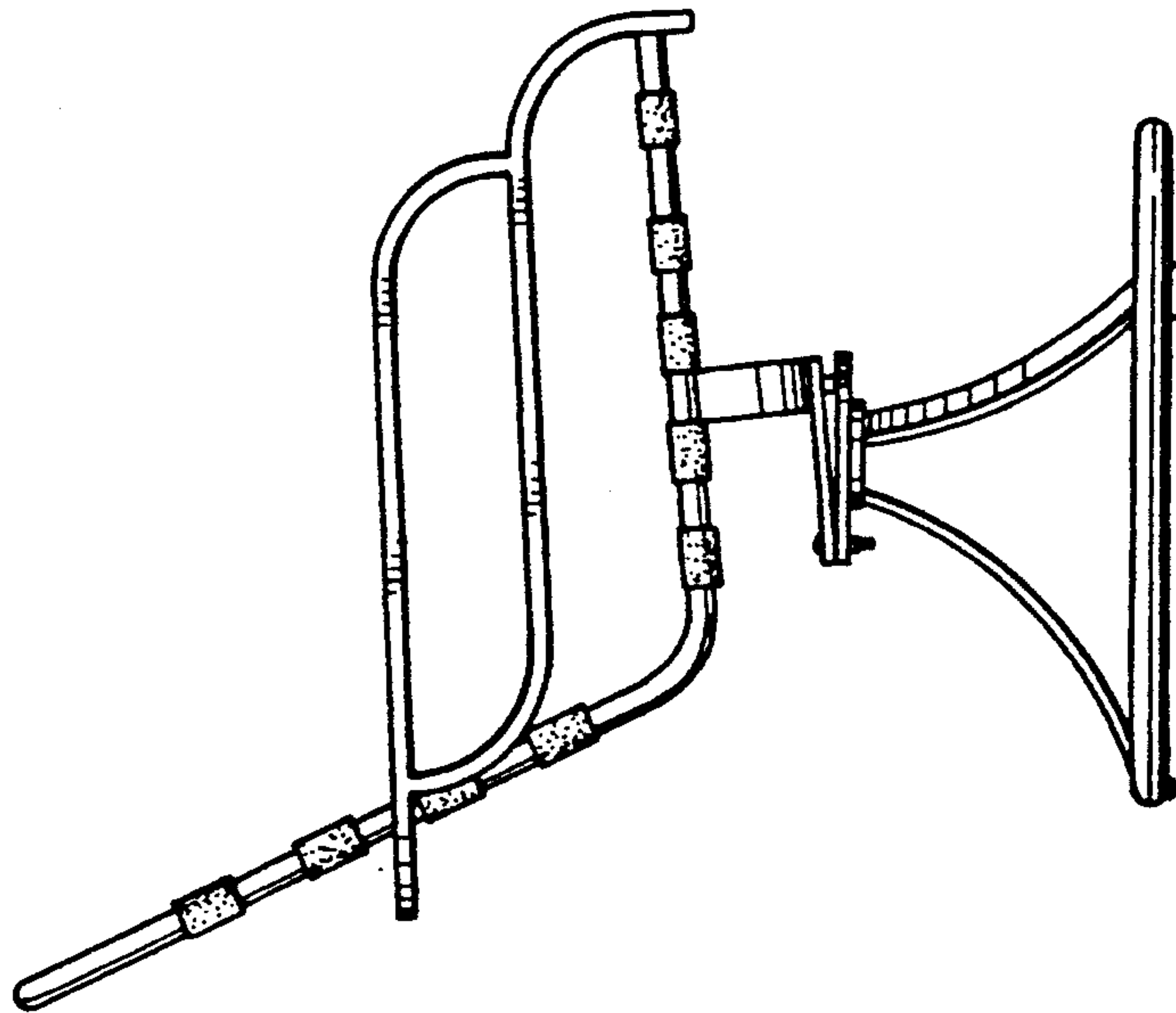


FIG. 4



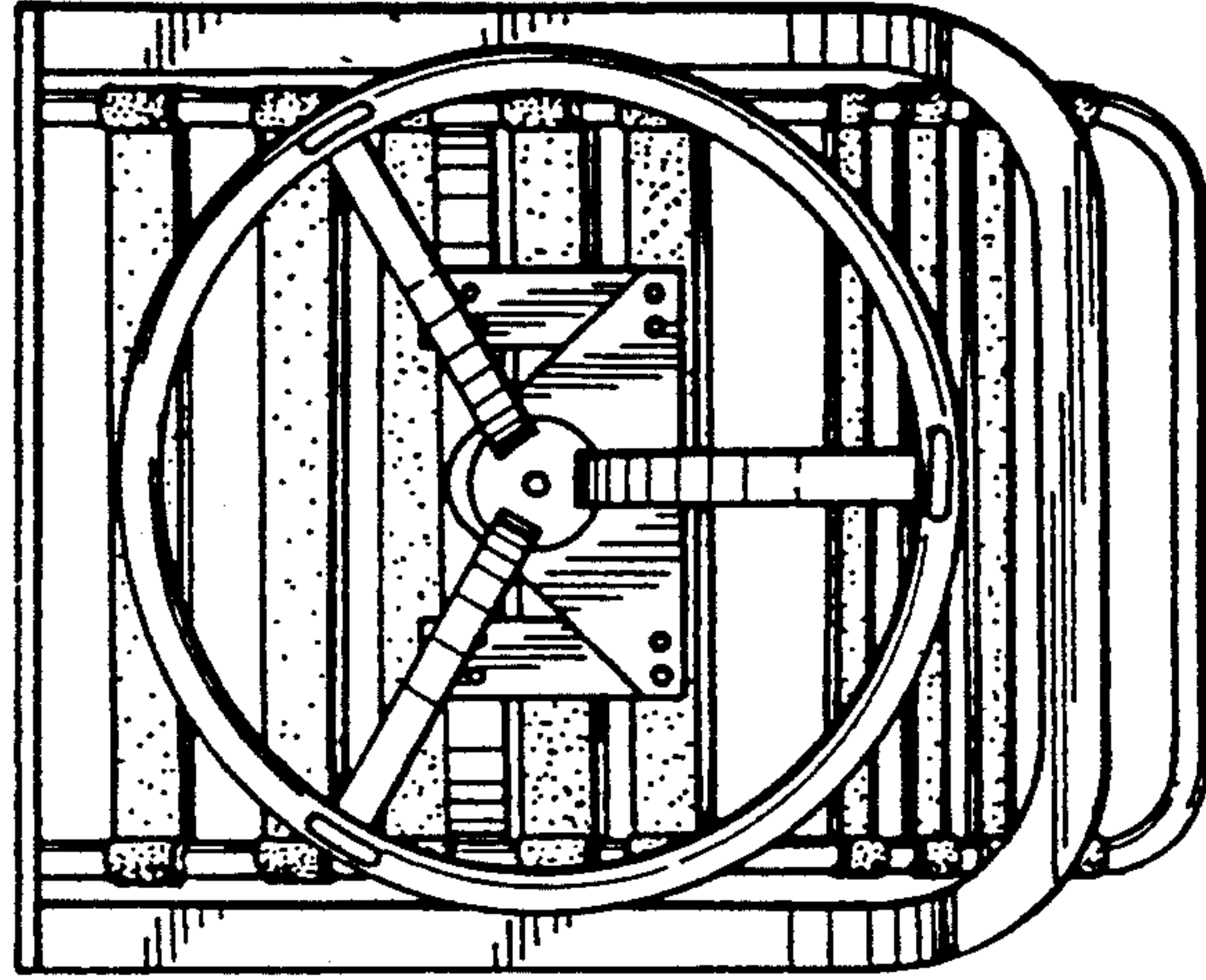


FIG. 7

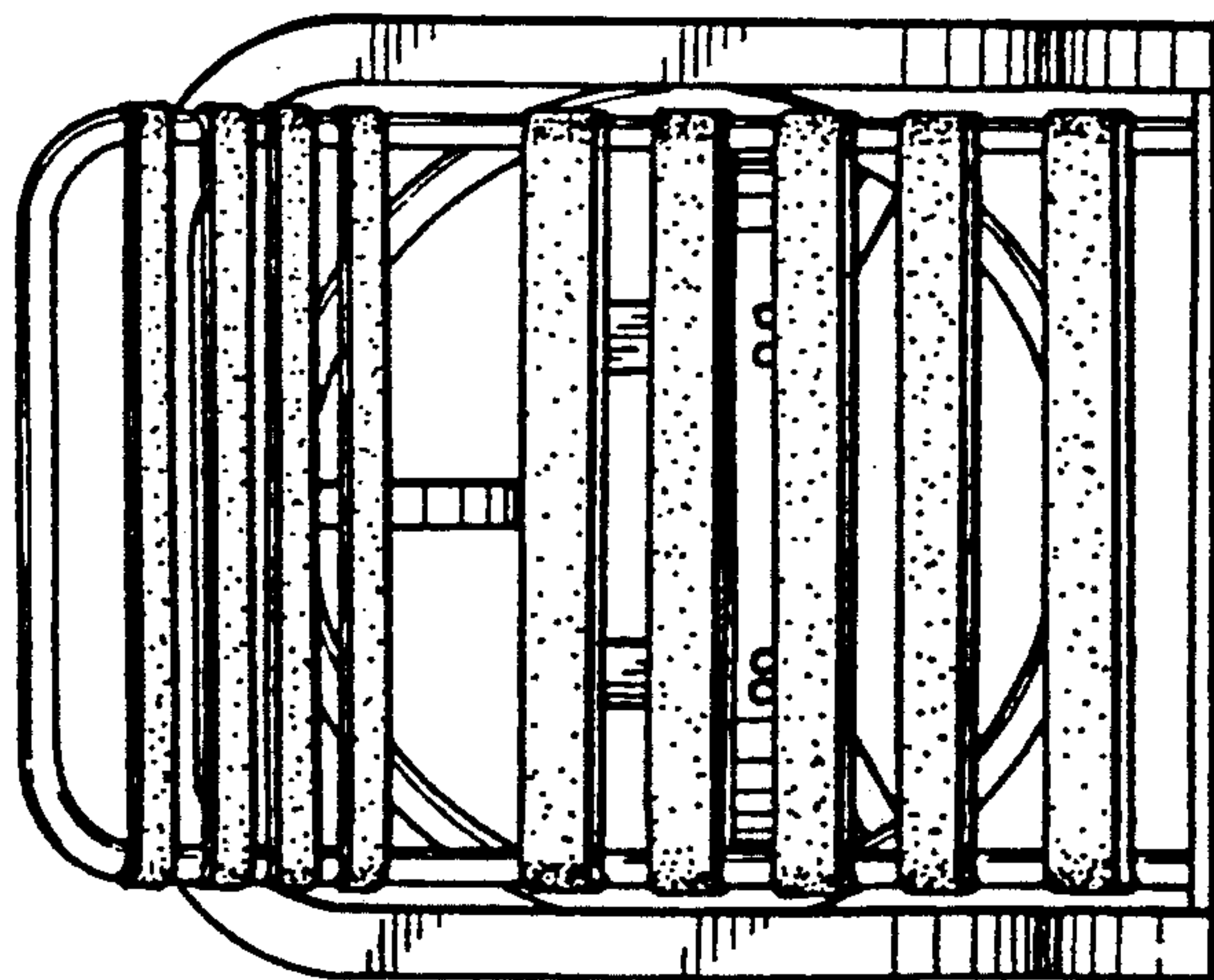


FIG. 6