



US00D340353S

United States Patent [19]

[11] Patent Number: Des. 340,353

Benarrouch

[45] Date of Patent: ** Oct. 19, 1993

[54] TOILETRY CASE

[57] CLAIM

[76] Inventor: Jacques Benarrouch, 21 Rue Jean-Bourgey, Villeurbanne, France, 69100

The ornamental design for a toiletry case, as shown and described.

[**] Term: 14 Years

DESCRIPTION

[21] Appl. No.: 713,330

FIG. 1 is a front perspective view of a toiletry case showing my new design;

[22] Filed: Jun. 11, 1991

FIG. 2 is a rear elevational view thereof;

[30] Foreign Application Priority Data

Jan. 23, 1991 [WO] World Int. Prop. O. DM/018675

[52] U.S. Cl. D3/39; D28/83

[58] Field of Search D3/39, 40; D28/38, 61, D28/76-78, 83; 206/235, 581, 823; 220/DIG.

26

FIG. 3 is a bottom plan view thereof;

FIG. 4 is a front perspective view, taken from the left side thereof, with the cover in a fully opened position and the inner panel and accessory racks thereof in a raised orientation;

FIG. 5 is a top plan view thereof with the cover fully opened and the inner panel and accessory racks thereof in a closed orientation;

[56] References Cited

U.S. PATENT DOCUMENTS

D. 264,009 4/1982 Lam D28/83 X

D. 281,024 10/1985 Rittenhouse et al. D28/83 X

D. 309,829 8/1990 Charet et al. D3/40

4,979,525 12/1990 Chiou 206/581 X

FIG. 6 is a top plan view similar to FIG. 5 with the accessory supports shown in the raised position of FIG. 4;

FIG. 7 is a top plan view thereof with the cover, inner panel and accessory racks in the raised position of FIG. 4;

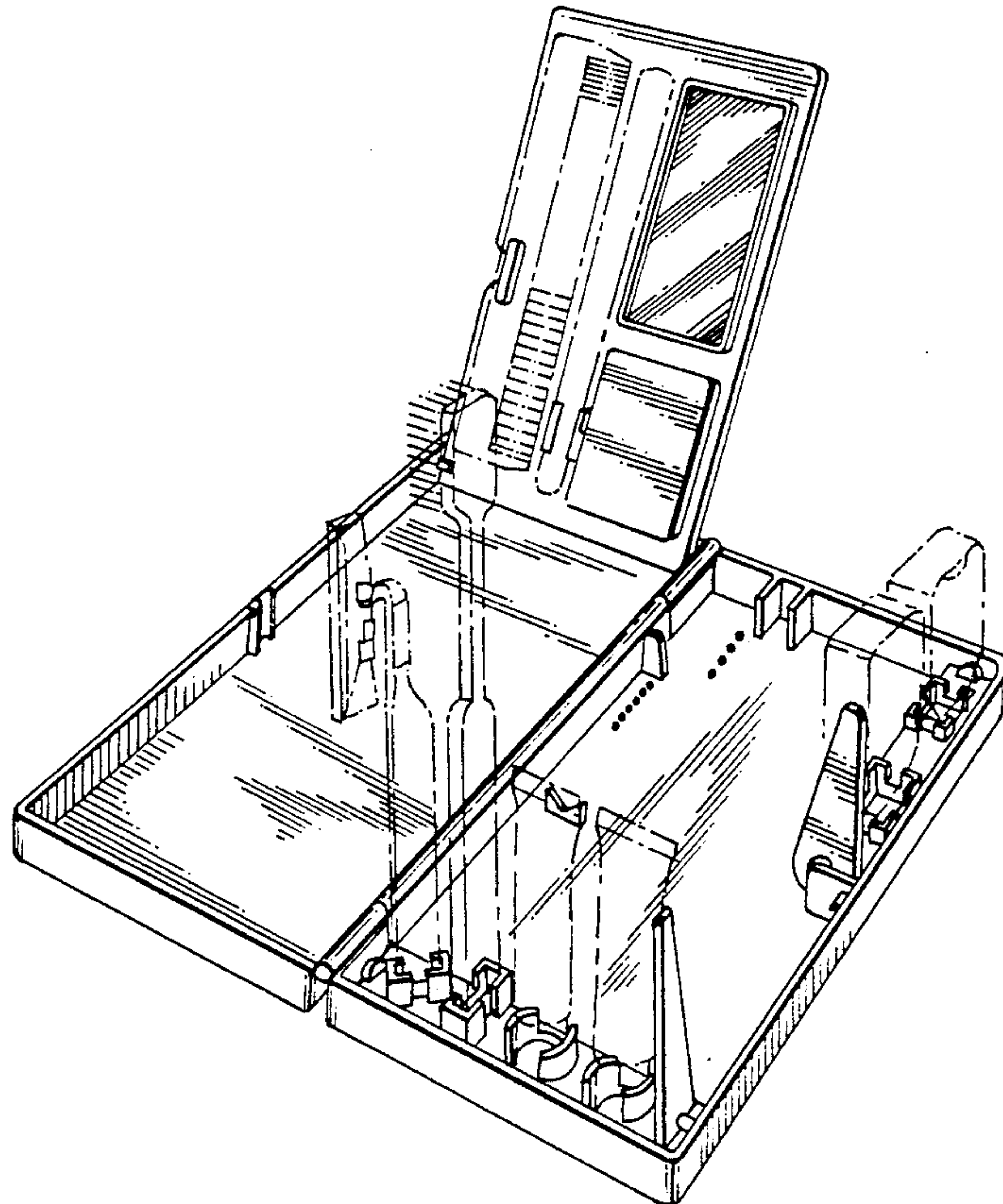
FIG. 8 is a rear elevational view thereof with the inner panel and support racks raised as in FIG. 7;

FIG. 9 is a left side elevational view thereof with the inner panel and support racks raised as in FIG. 7; and,

FIG. 10 is an enlarged cross-sectional view taken along lines 10-10 of FIG. 6.

The broken line showing of toiletries in FIG. 4 is for illustrative purposes only and forms no part of the claimed design.

Primary Examiner—Louis S. Zarfaz
Attorney, Agent, or Firm—Dowell & Dowell



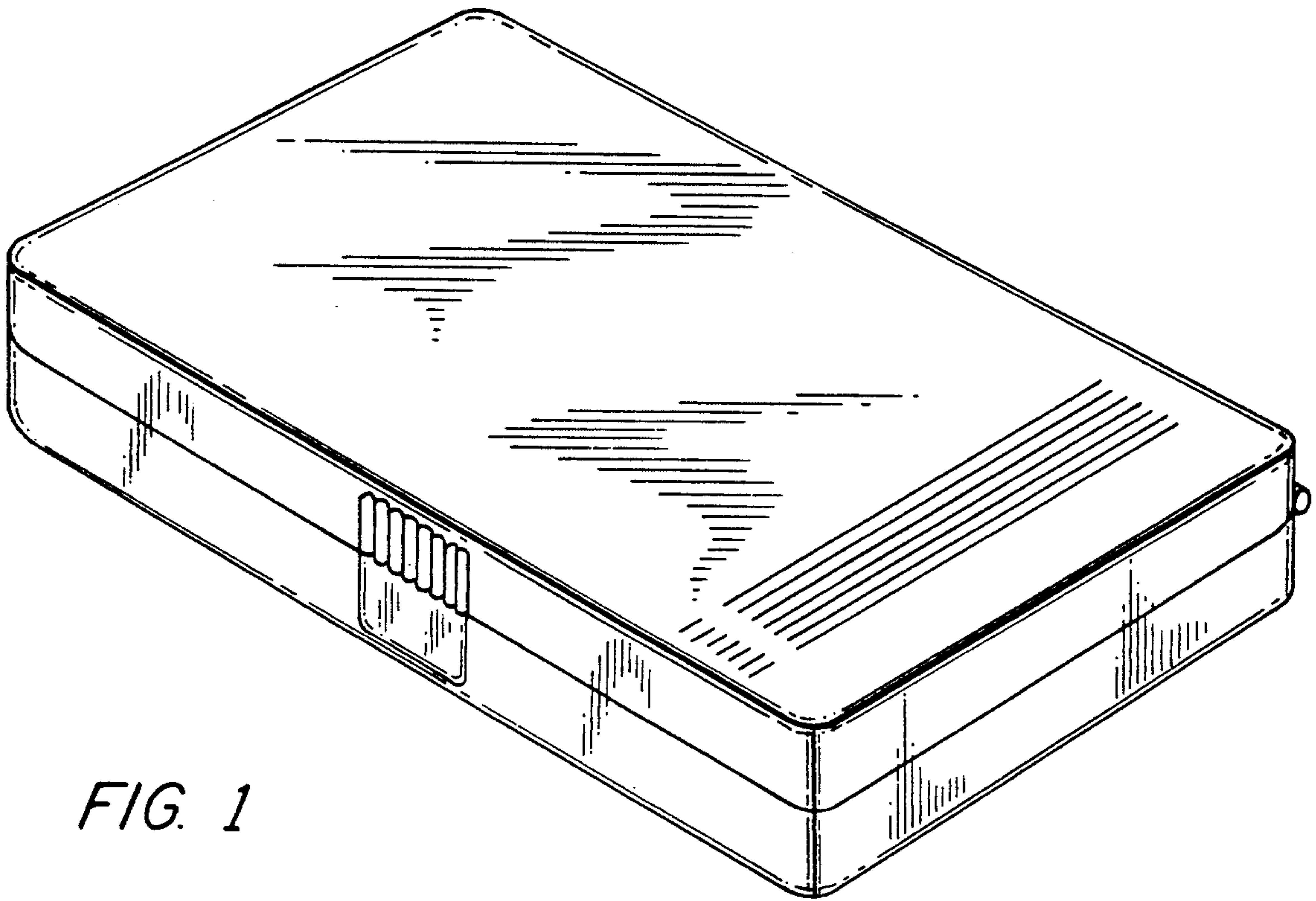


FIG. 1

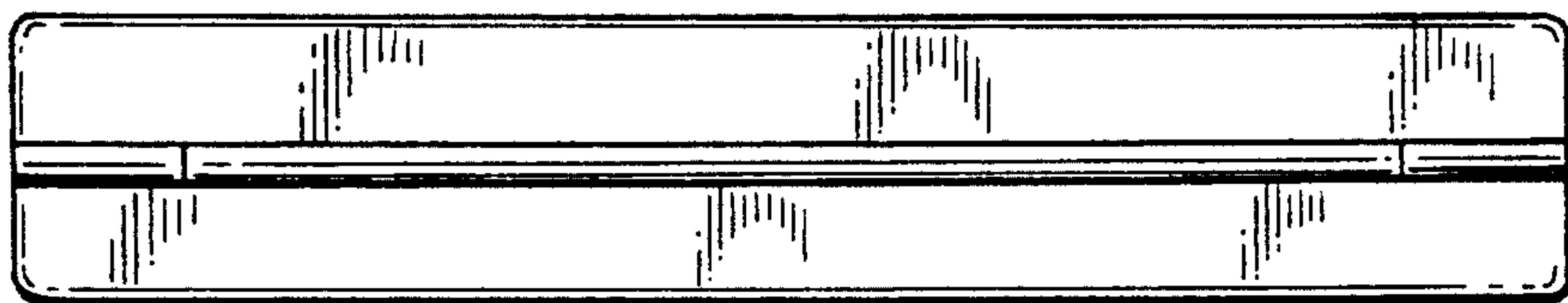


FIG. 2

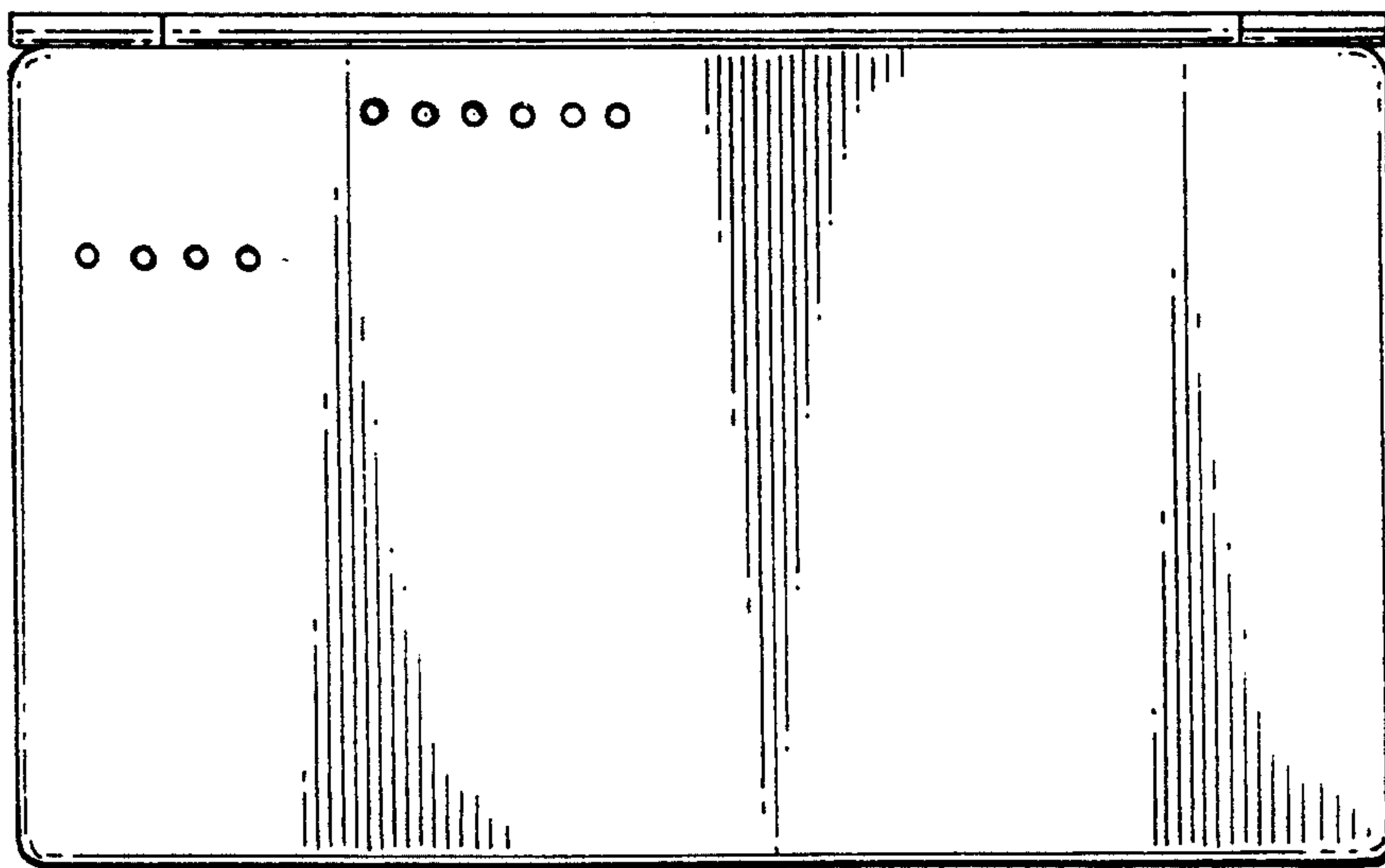


FIG. 3

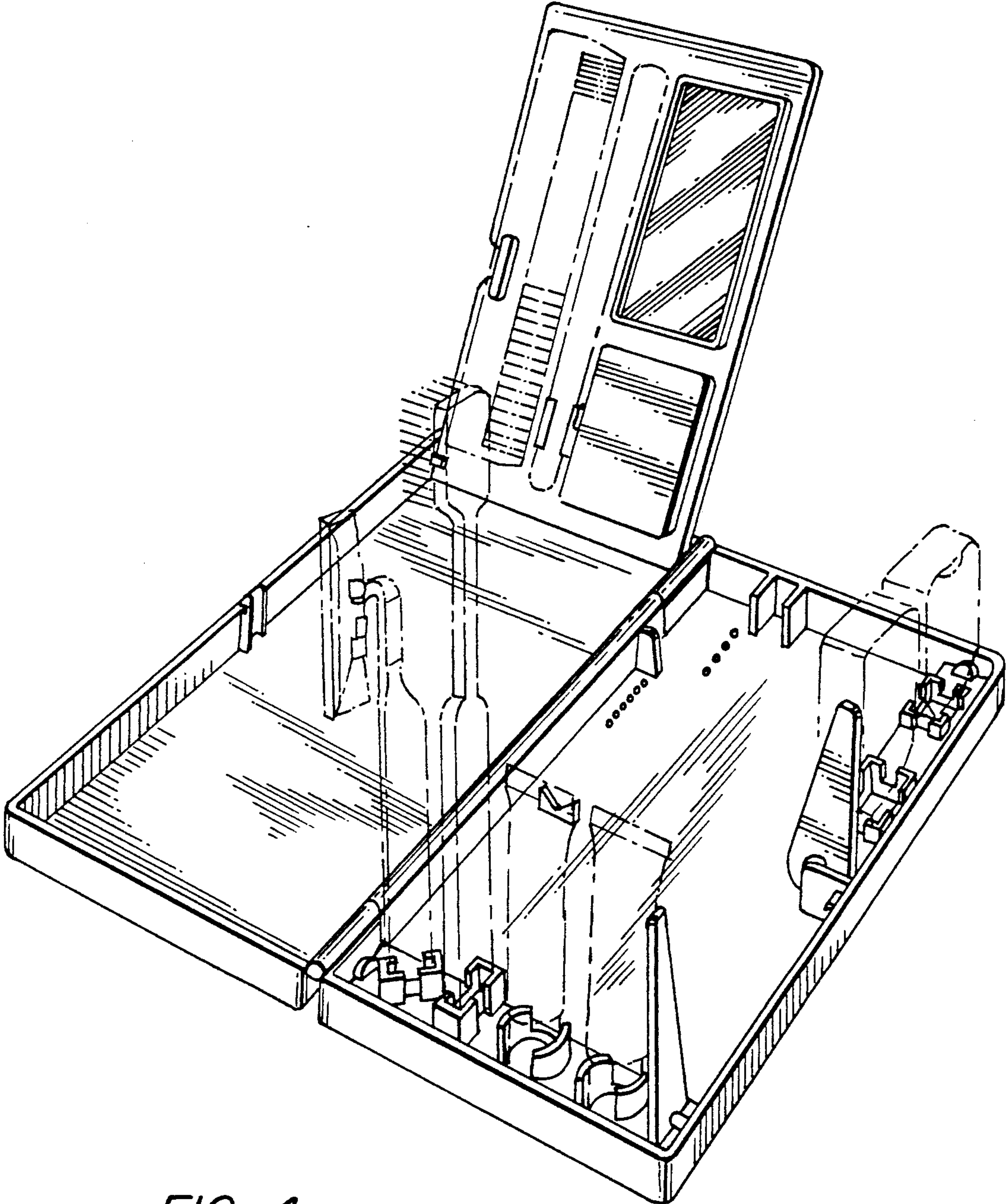


FIG. 4

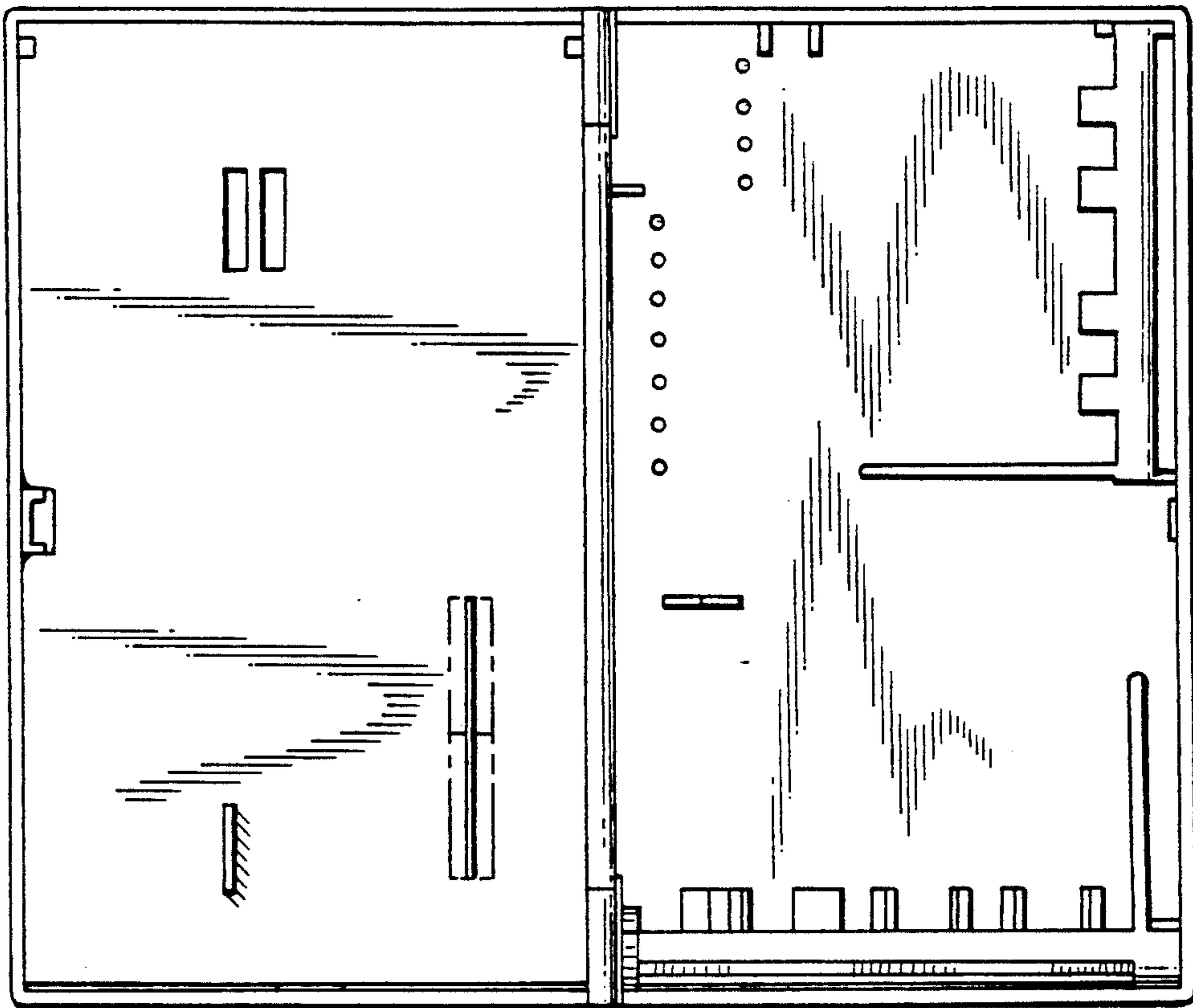


FIG. 5

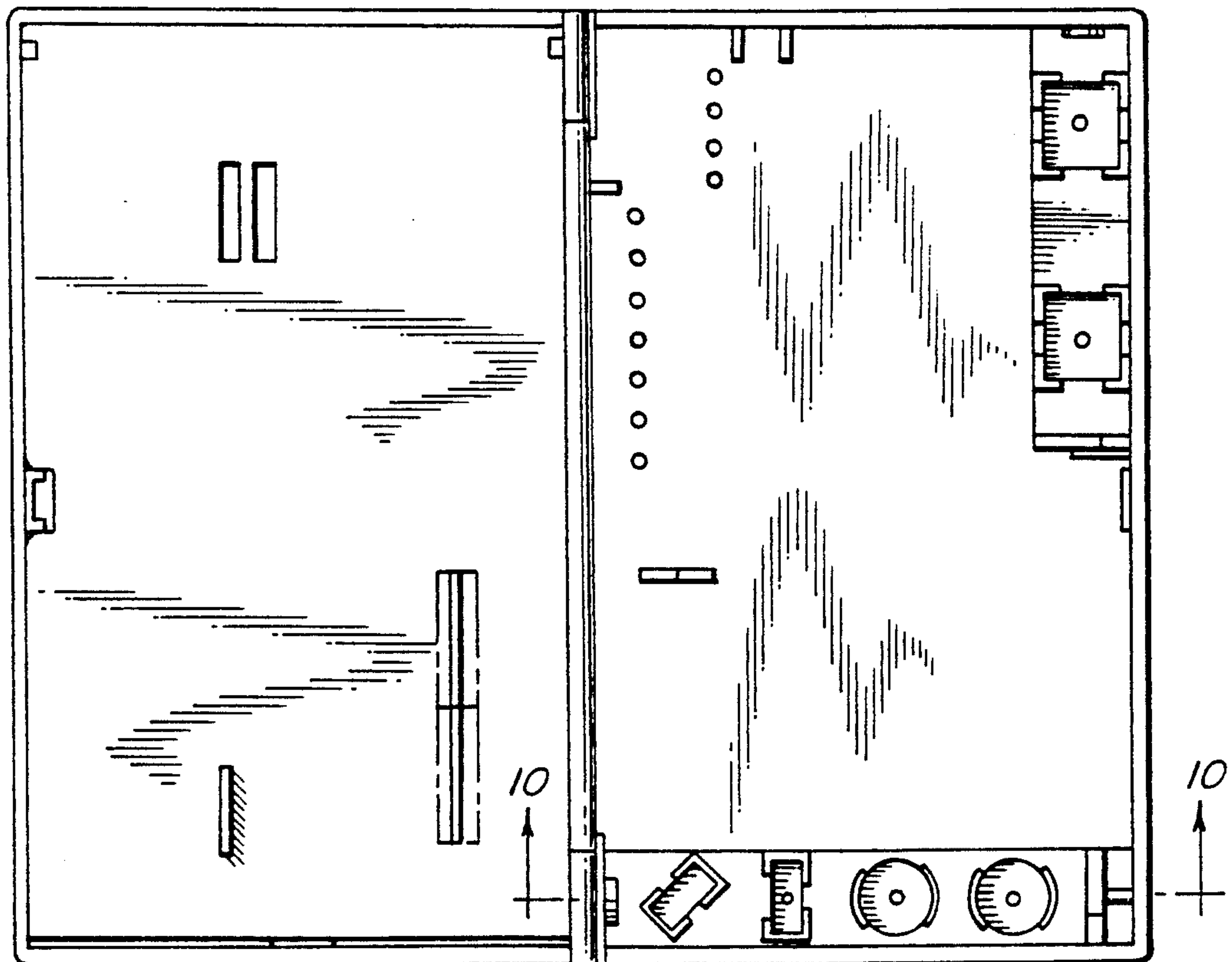


FIG. 6

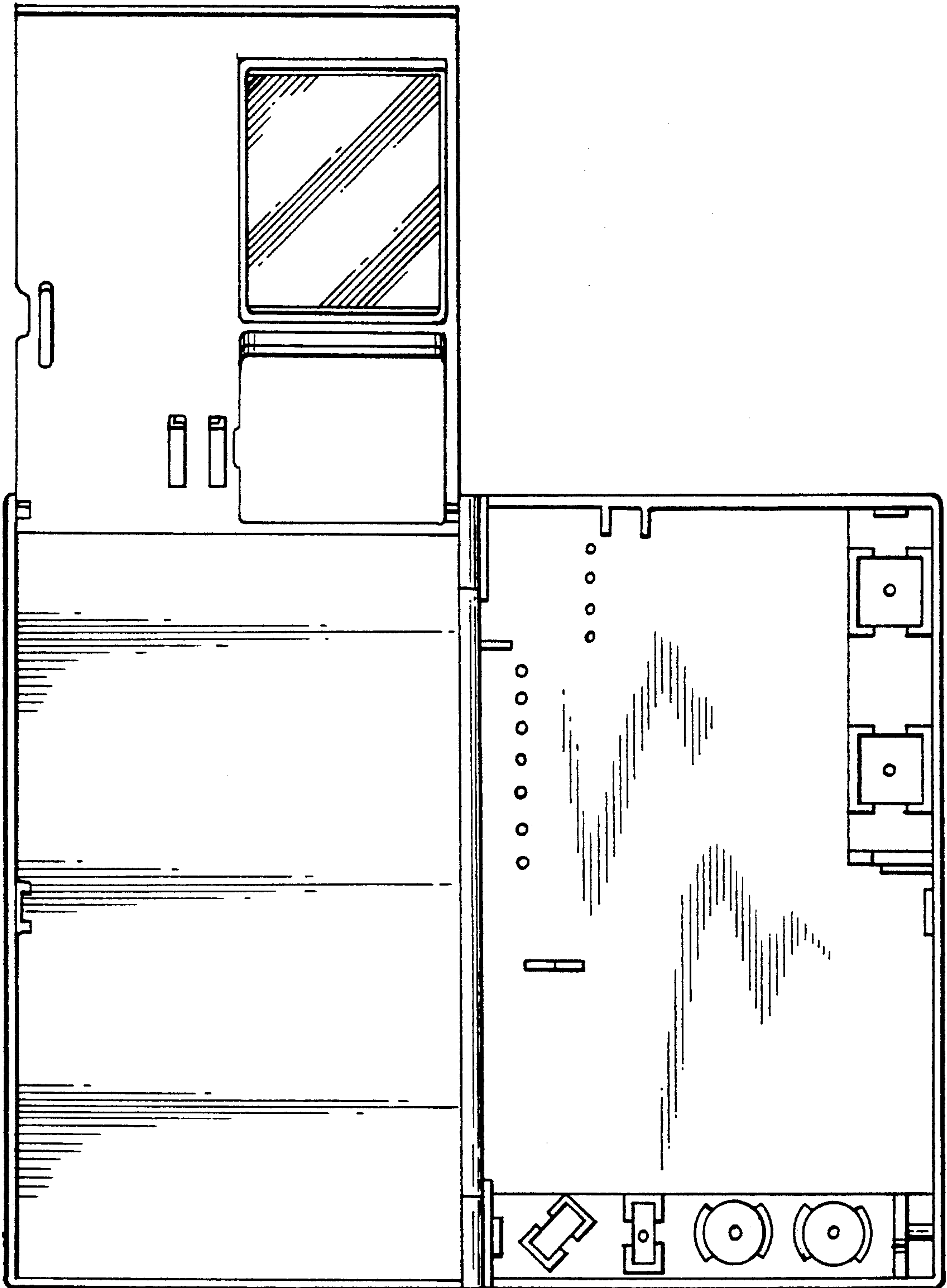


FIG. 7

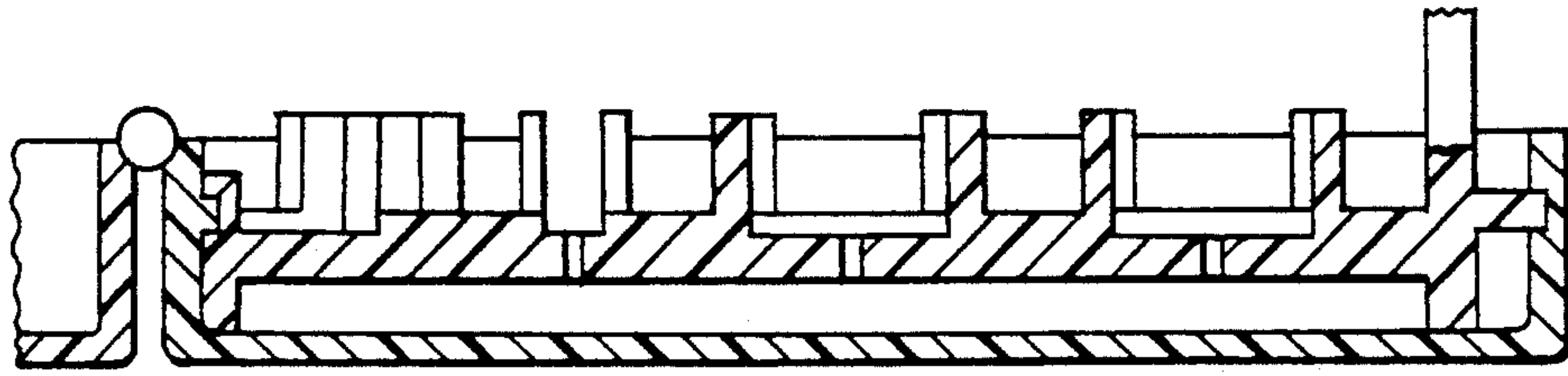


FIG. 10

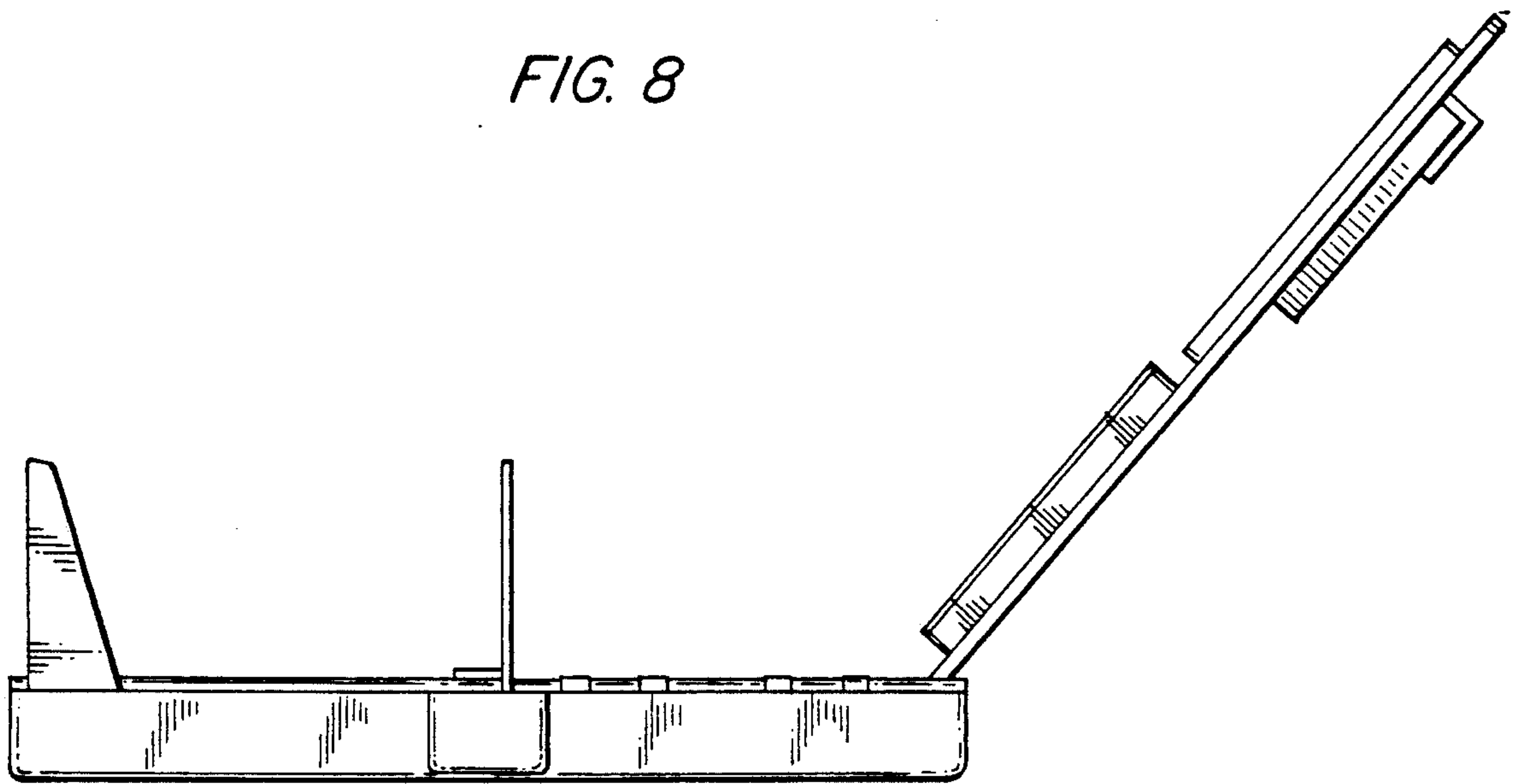


FIG. 8

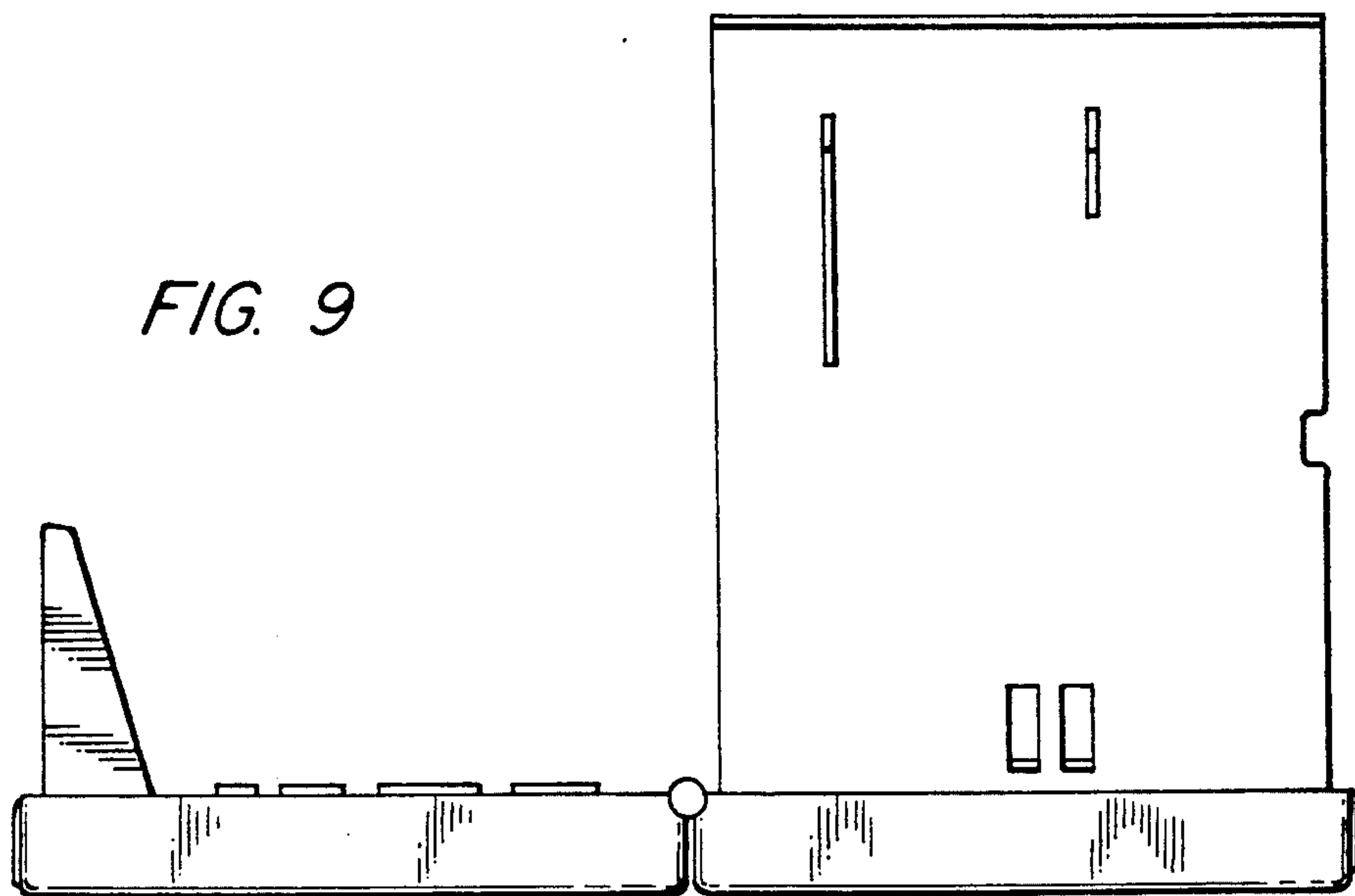


FIG. 9