



US00D340345S

United States Patent [19]

[11] Patent Number: **Des. 340,345**

Russell

[45] Date of Patent: **** Oct. 19, 1993**

[54] **HEADBAND HAVING A SELF-ADHESIVE PORTION**

2,160,567	5/1939	Sterne	2/171
3,050,734	8/1962	Dopyera	2/2
3,466,664	9/1969	Militello	2/171
3,921,222	11/1975	Hollman	2/2

[75] Inventor: **John P. Russell**, Center Point, Ala.

[73] Assignee: **Infection Control Products, Inc.**, Gardendale, Ala.

Primary Examiner—Bernard Ansher
Assistant Examiner—Paula Mortimer
Attorney, Agent, or Firm—George A. Bode

[**] Term: **14 Years**

[21] Appl. No.: **807,568**

[57] **CLAIM**

[22] Filed: **Dec. 13, 1991**

The ornamental design for a headband having a self-adhesive portion, as shown and described.

[52] U.S. Cl. **D2/260**

[58] Field of Search D2/260, 512, 639, 513, D2/514, 634, 635, 636, 261; D3/100, 106; 2/2, 171, 181.2, 209.3, 183, DIG. 6; D28/39.4, 42, 71, 75; 128/112.1; 602/74-79

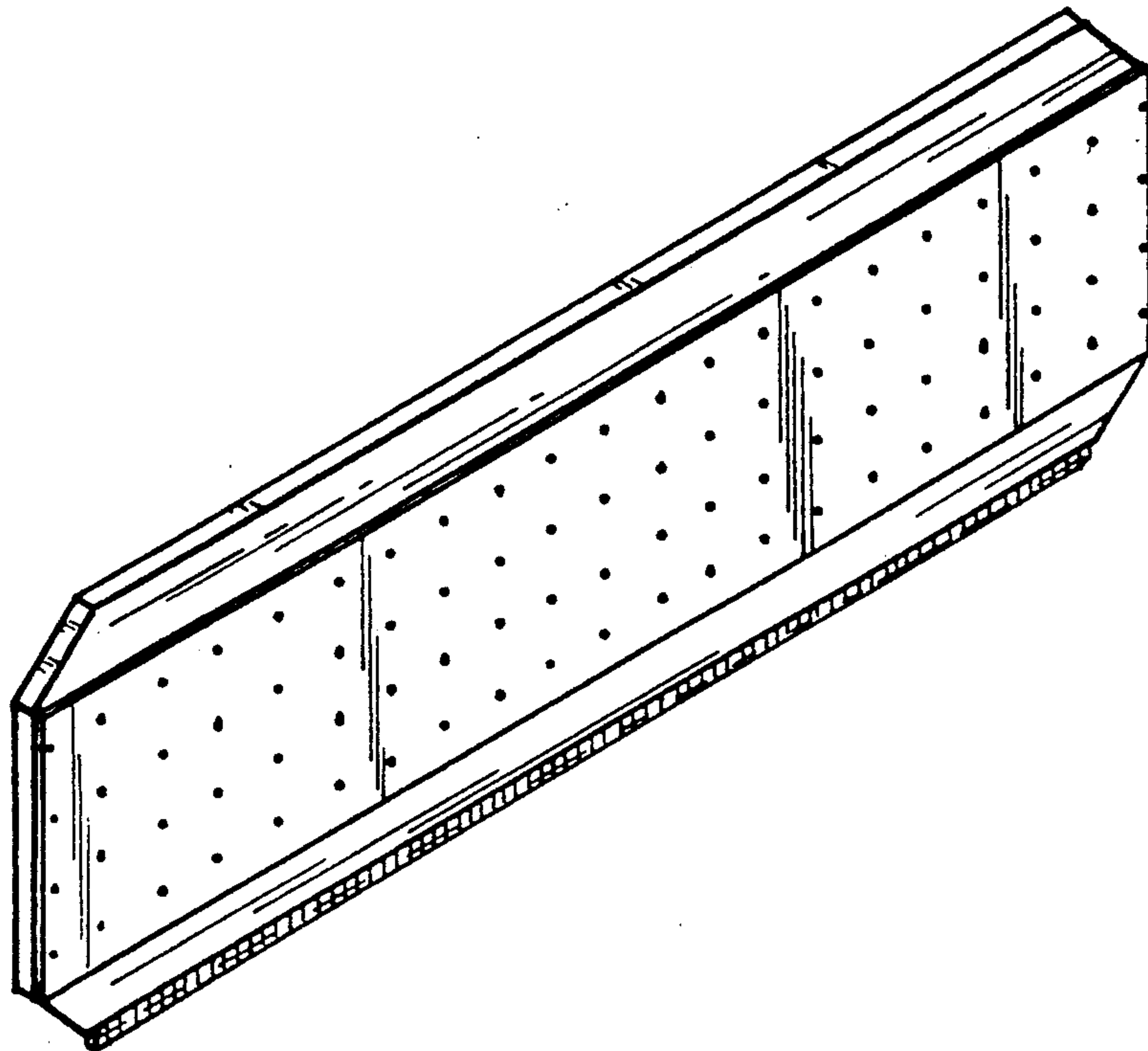
DESCRIPTION

FIG. 1 is a rear perspective view of a headband having a self-adhesive portion showing my new design; FIG. 2 is a rear elevational view thereof; FIG. 3 is a bottom plan view thereof; FIG. 4 is a top plan view thereof; FIG. 5 is a front elevational view thereof; and, FIG. 6 is the side elevational view; the opposite being a mirror image thereof.

[56] **References Cited**

U.S. PATENT DOCUMENTS

D. 309,523	7/1990	Martin	D2/261 X
1,633,586	6/1927	Hunter	2/171



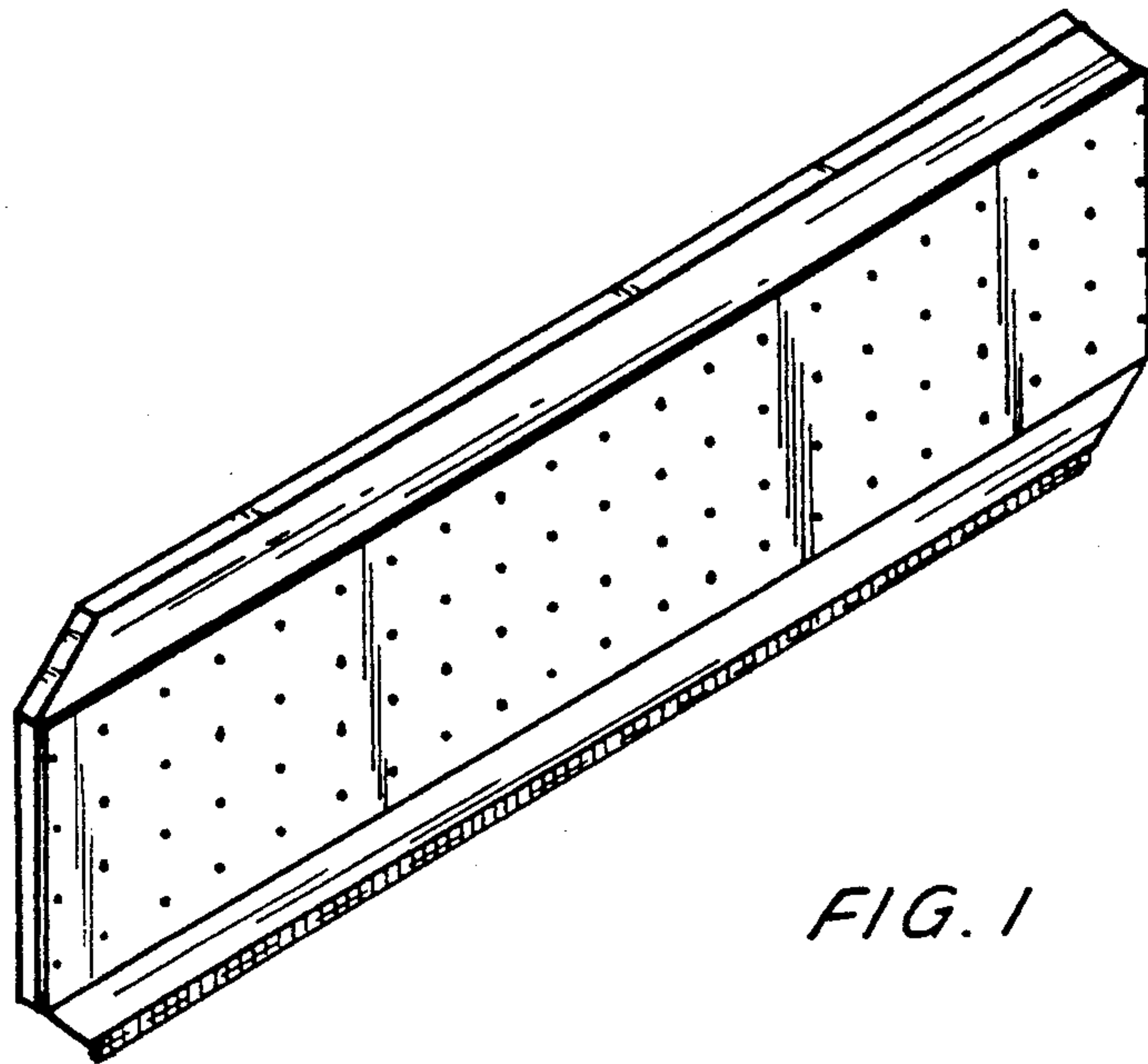


FIG. 1

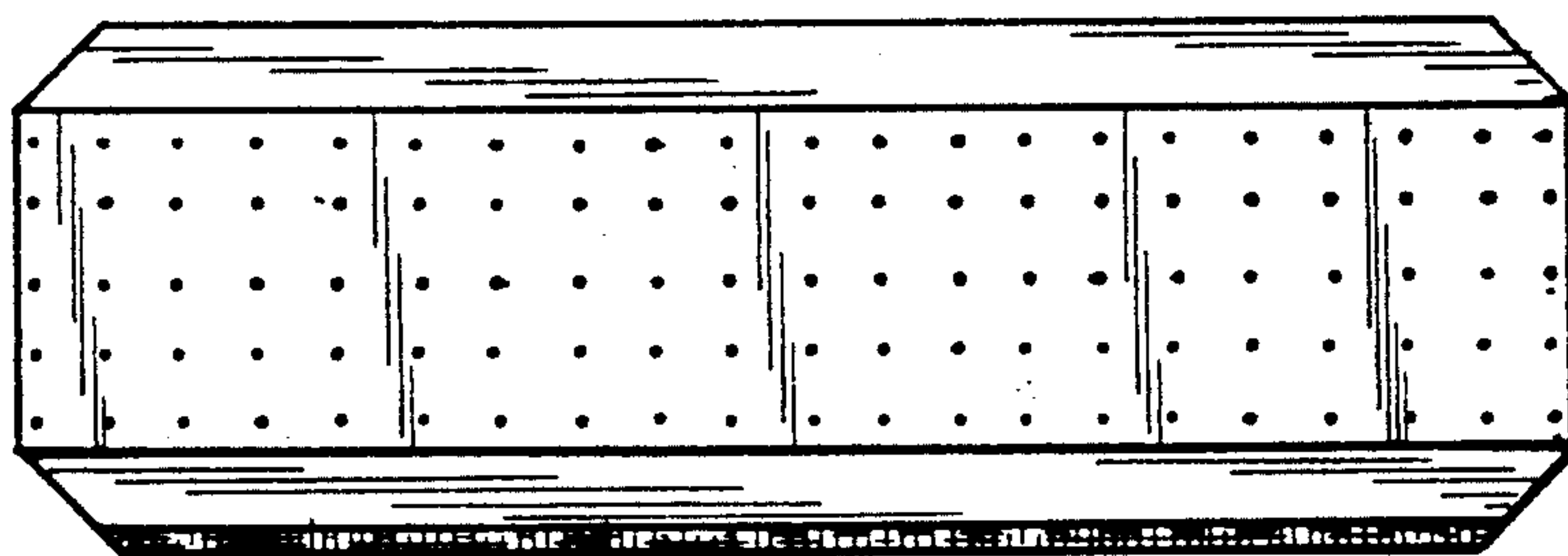


FIG. 2

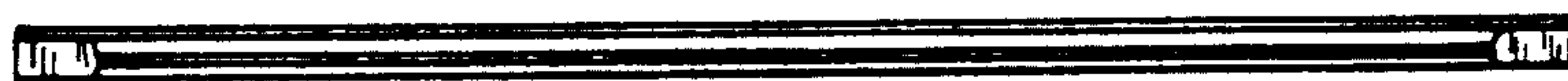


FIG. 3



FIG. 4

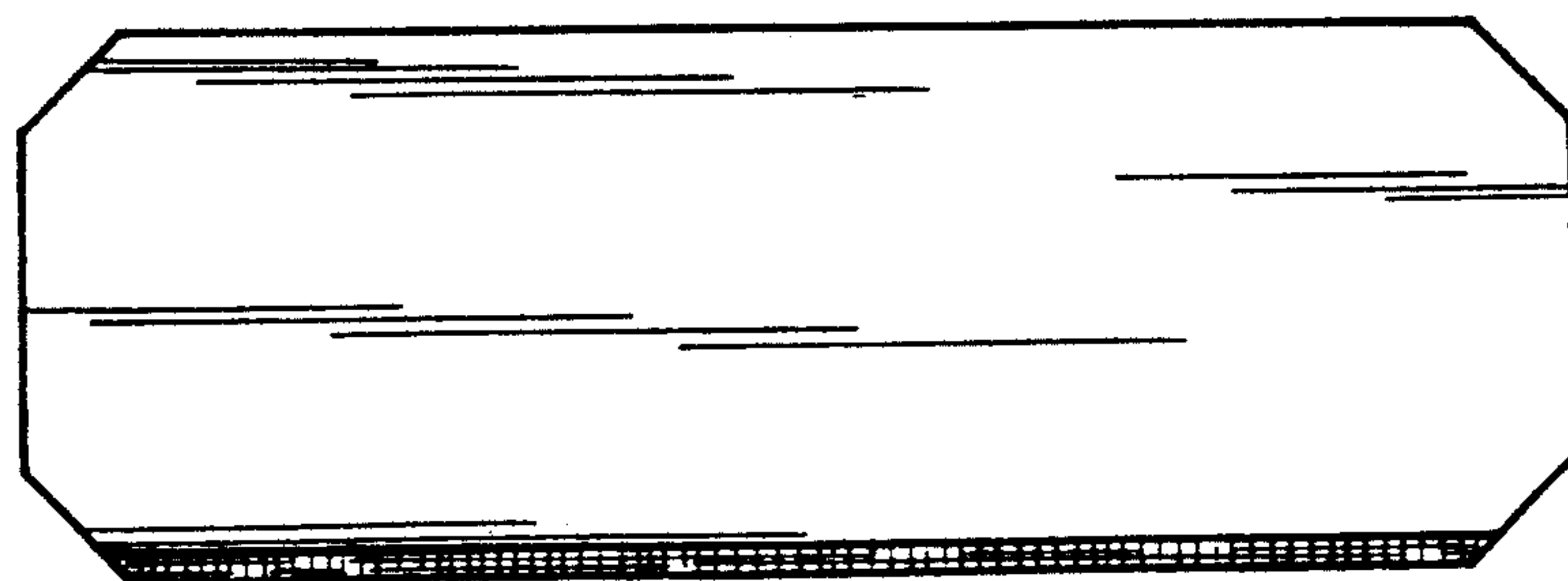


FIG. 5



FIG. 6