



US00D340344S

United States Patent [19] McPherson

[11] Patent Number: **Des. 340,344**

[45] Date of Patent: **** Oct. 19, 1993**

[54] **CAP FOR ATHLETES** 4,356,709 11/1982 Alexander 62/530

[76] Inventor: **Paul R. McPherson**, 4665 Lake Trail
Dr. #1A, Lisle, Ill. 60532

[**] Term: **14 Years**

[21] Appl. No.: **539,661**

[22] Filed: **Jun. 18, 1990**

[52] U.S. Cl. **D2/244**

[58] Field of Search **D2/244, 245, 246;**
2/197, 199, 175, 185 R, 195, 177, 171, 172, 173,
173.5, 196, 198; D29/13, 15

FOREIGN PATENT DOCUMENTS

95767 3/1939 Sweden 2/175
2179 of 1905 United Kingdom 2/197

Primary Examiner—B. J. Bullock
Assistant Examiner—Paula Mortimer
Attorney, Agent, or Firm—Patula & Associates

[57] CLAIM

The ornamental design for a cap for athletes, as shown and described.

DESCRIPTION

FIG. 1 is a side perspective view of a cap for athletes showing my new design;
FIG. 2 is a front elevational view thereof;
FIG. 3 is a rear elevational view thereof;
FIG. 4 is a side elevational view, the opposite side is a mirror image thereof;
FIG. 5 is a top plan view thereof; and,
FIG. 6 is a bottom plan view thereof.
The broken line showing of head of a person is for illustrative purposes only and forms no part of the claimed design.

[56] **References Cited**
U.S. PATENT DOCUMENTS

D. 186,868	12/1959	Grazia	D2/244
D. 280,861	10/1985	Giraud et al.	D2/244
D. 290,422	6/1987	Bourman	D2/246
2,194,043	3/1940	Jacobi	2/197
2,335,630	11/1943	Bachardy	2/7
2,417,986	3/1947	Marder et al.	D2/245 X
2,744,256	5/1956	Slotkin et al.	D2/244
3,019,438	4/1962	Henschel	2/7
3,070,803	1/1963	Slepicka	2/7
4,172,495	10/1979	Zebuhr et al.	165/46



FIG. 1



FIG. 2

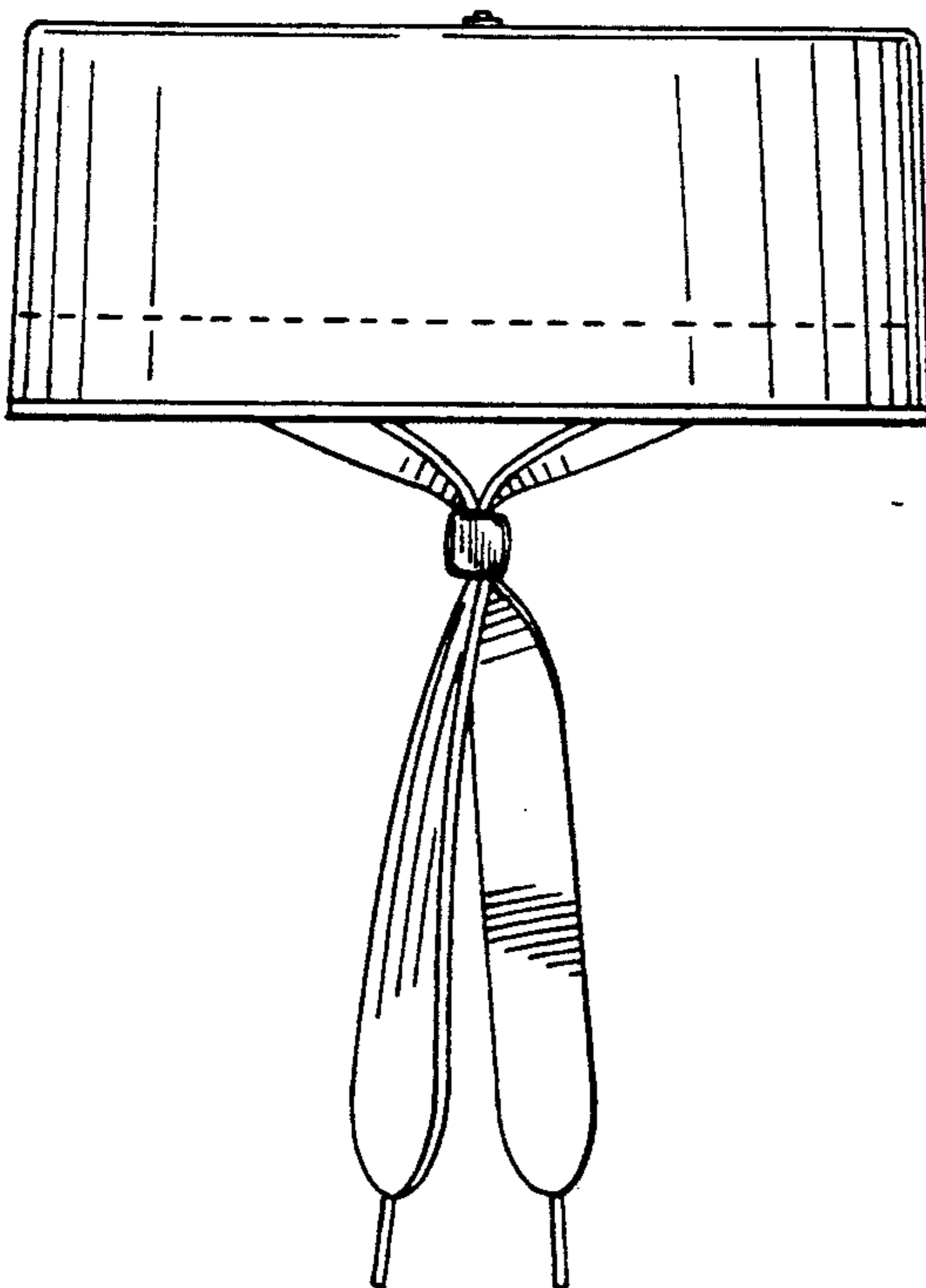


FIG. 3

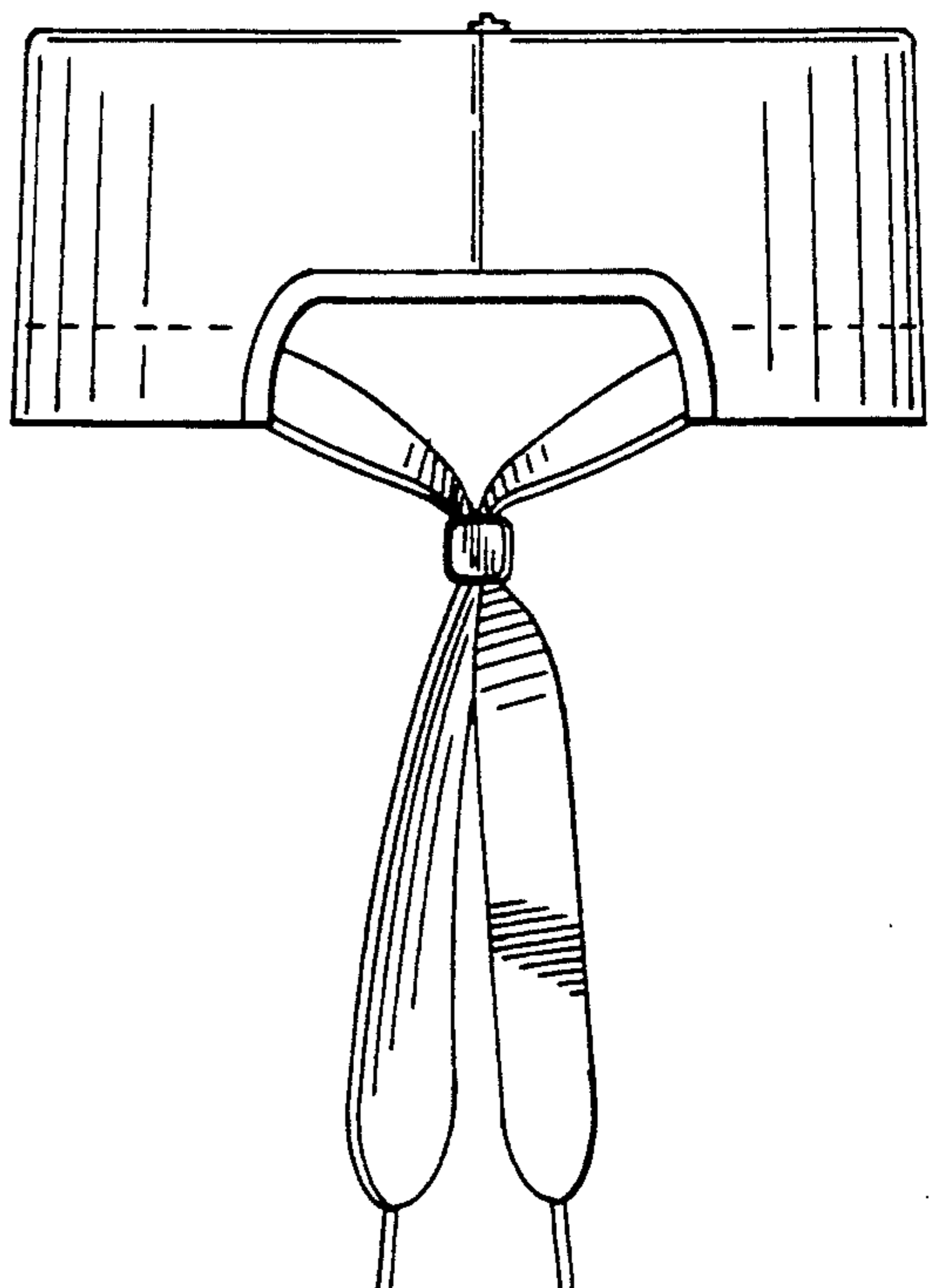


FIG.4

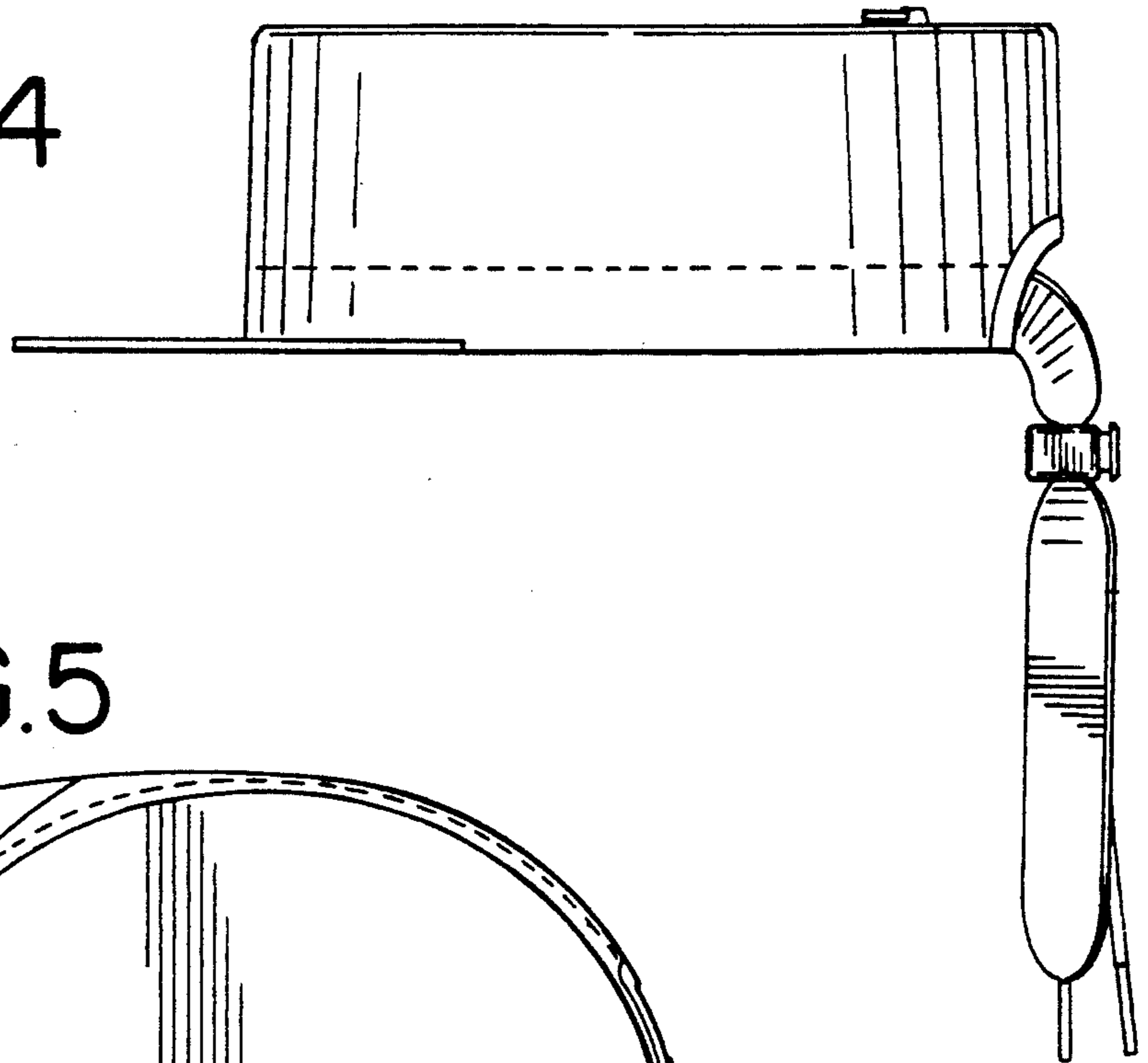


FIG.5

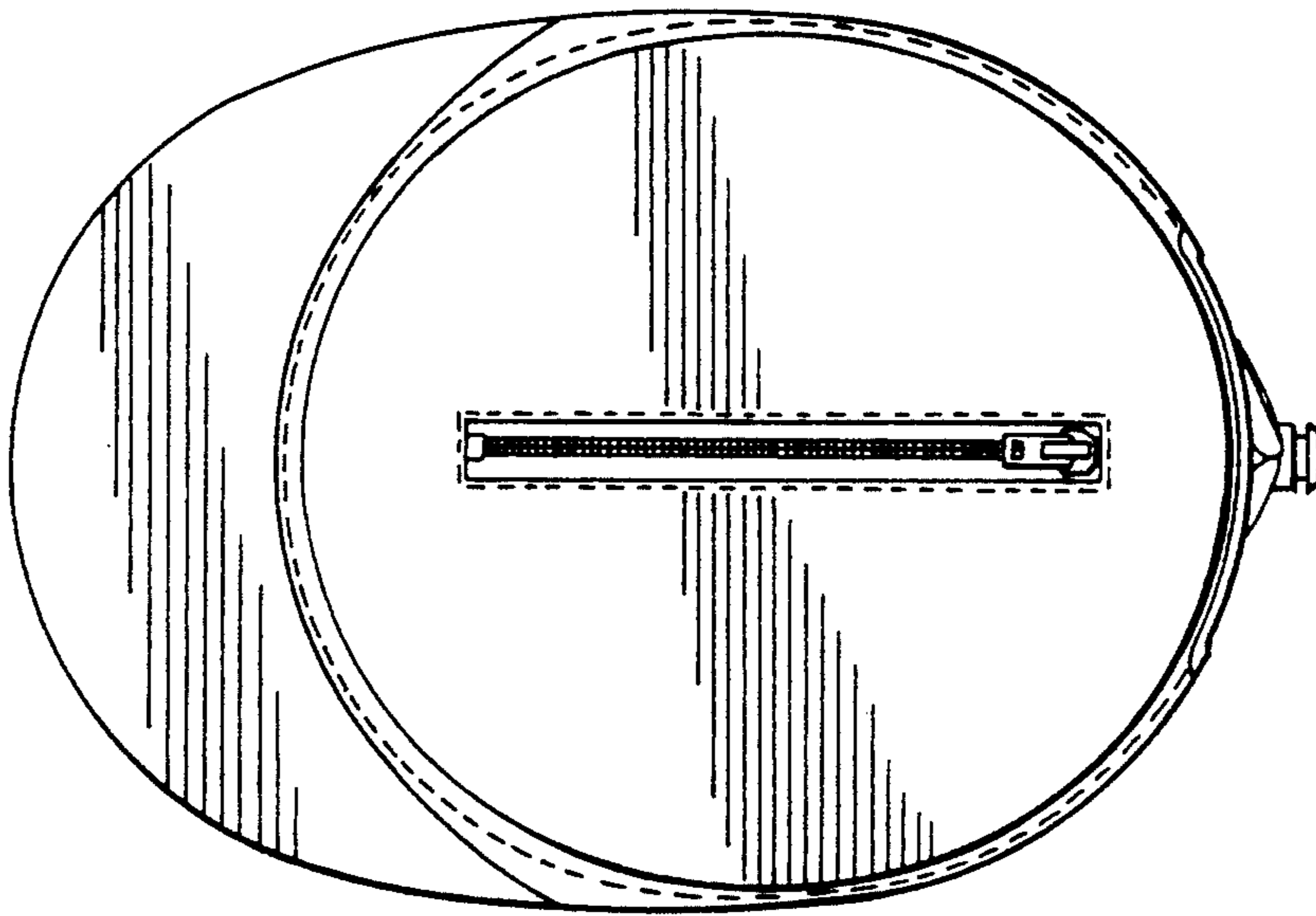


FIG.6

