



US00D340341S

United States Patent [19]

[11] Patent Number: Des. 340,341

Lawless et al.

[45] Date of Patent: ** Oct. 12, 1993

[54] PALLET BRAKE TRACK ASSEMBLY

[75] Inventors: Robert J. Lawless, Marietta; Brian J. Hudock, Atlanta; Samuel N. Bacon, III, Smyrna, all of Ga.

[73] Assignee: Creative Storage Systems, Inc., Marietta, Ga.

[**] Term: 14 Years

[21] Appl. No.: 761,031

[22] Filed: Sep. 17, 1991

[52] U.S. Cl. D34/29; D34/28

[58] Field of Search D34/28, 29; 414/286, 414/276, 267

[56] References Cited

U.S. PATENT DOCUMENTS

4,572,719 2/1986 Theobald 414/286
4,715,765 12/1987 Agnoff 414/276

OTHER PUBLICATIONS

"Gravity Flow Storage Ensures First-in, First-out Handling," from *Prepared Foods*, Sep. 1986.

Primary Examiner—Kay H. Chin
Attorney, Agent, or Firm—Louis T. Isaf

[57] CLAIM

The ornamental design for pallet brake track assembly, as shown and described.

DESCRIPTION

FIG. 1 is a perspective view of a pallet brake track assembly showing my new design, in accordance with the preferred embodiment of the present invention; FIG. 2 is a top view thereof; FIG. 3 is a bottom view thereof; FIG. 4 is a front end view thereof; FIG. 5 is a rear end view thereof; FIG. 6 is a left side view thereof; FIG. 7 is a right side view thereof; FIG. 8 is a perspective view of a pallet brake track assembly showing my new design, in accordance with another alternate embodiment of the present invention including an increased number of wheels; FIG. 9 is a top view thereof; FIG. 10 is a bottom view thereof; FIG. 11 is a front end view thereof; FIG. 12 is a front end view thereof; FIG. 13 is a left side view thereof; and, FIG. 14 is a right side view thereof. The broken lines shown in upper and lower portion of pallet brake track assembly indicate indeterminate length.

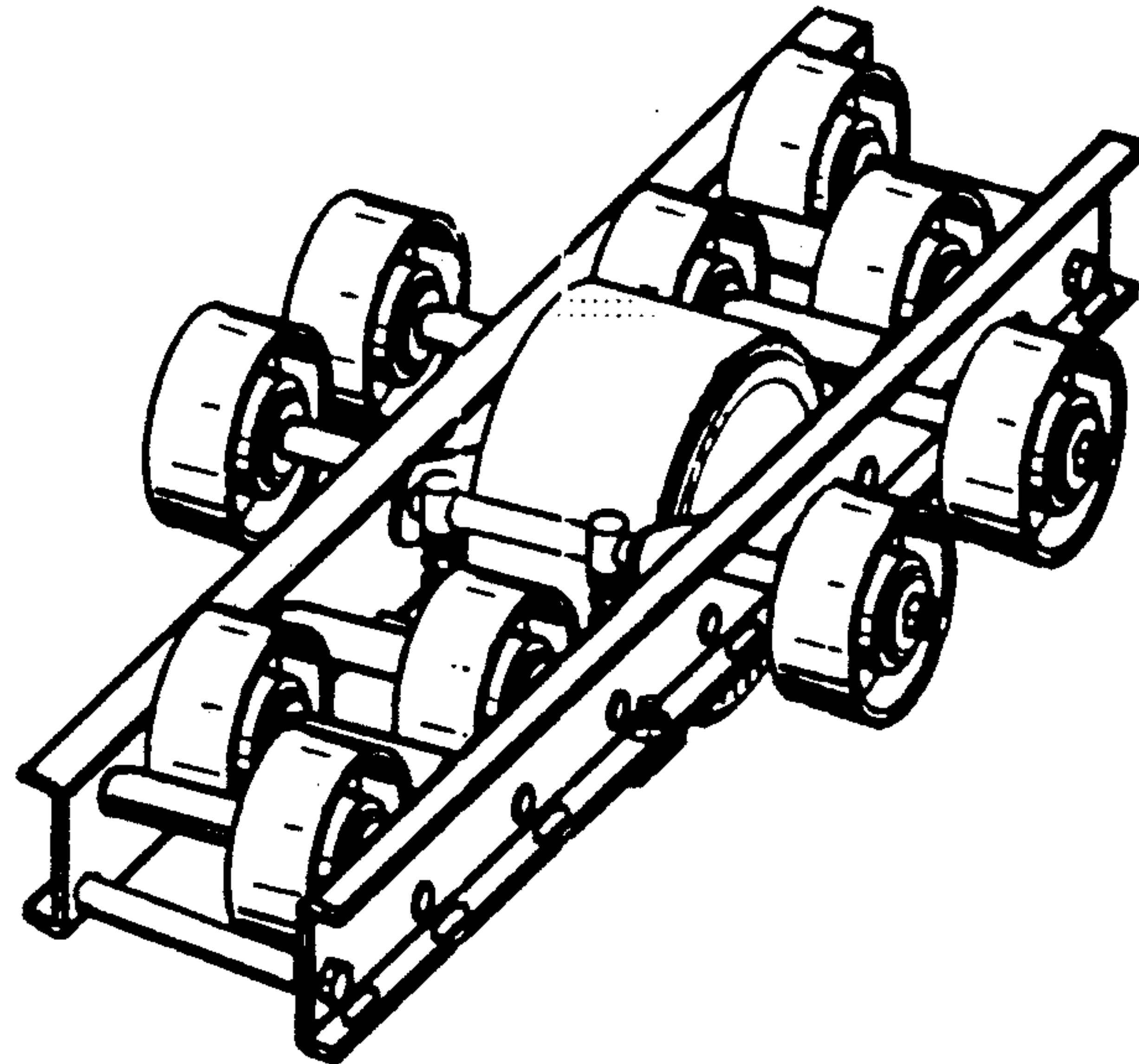


FIG 1

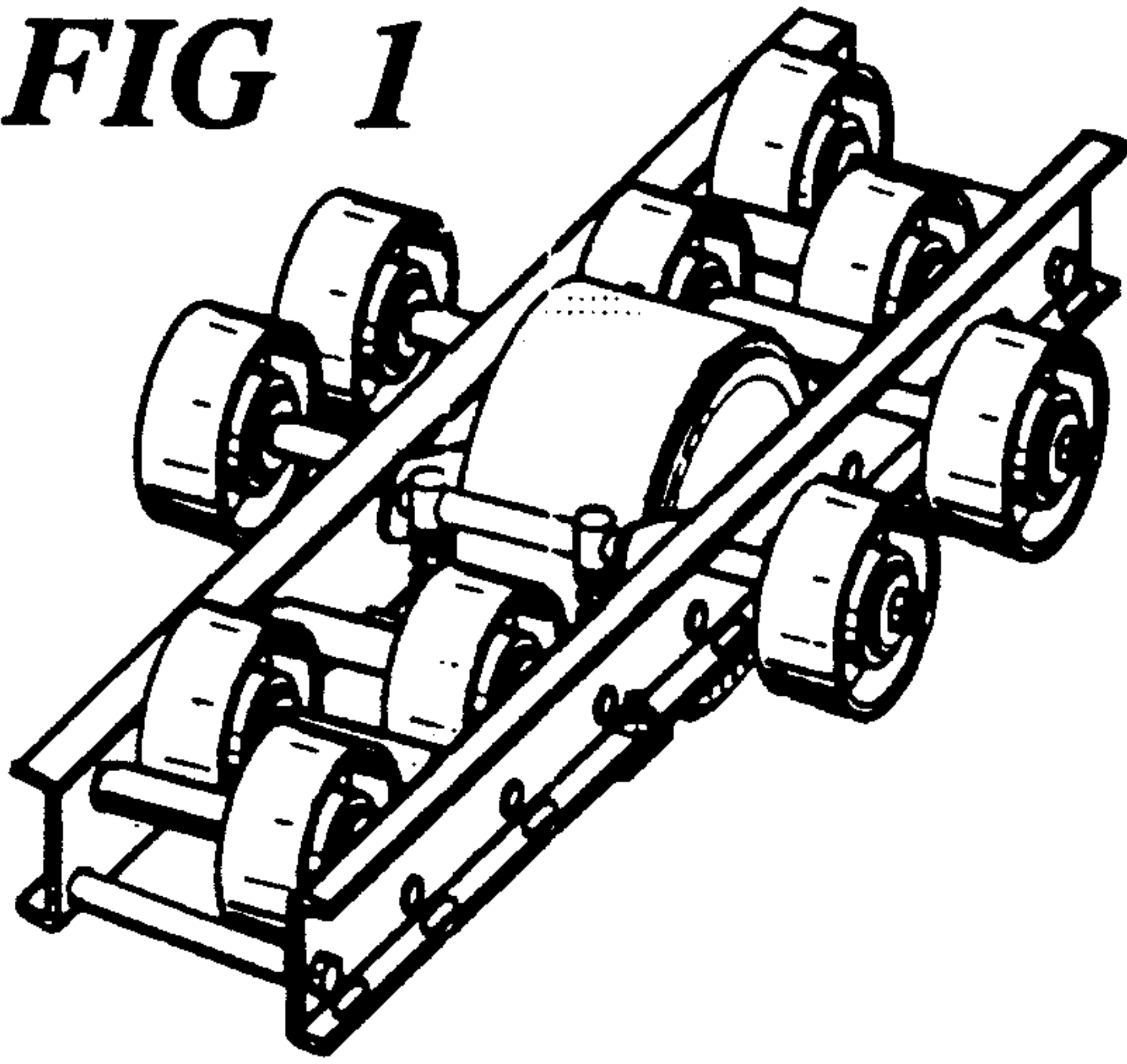


FIG 2

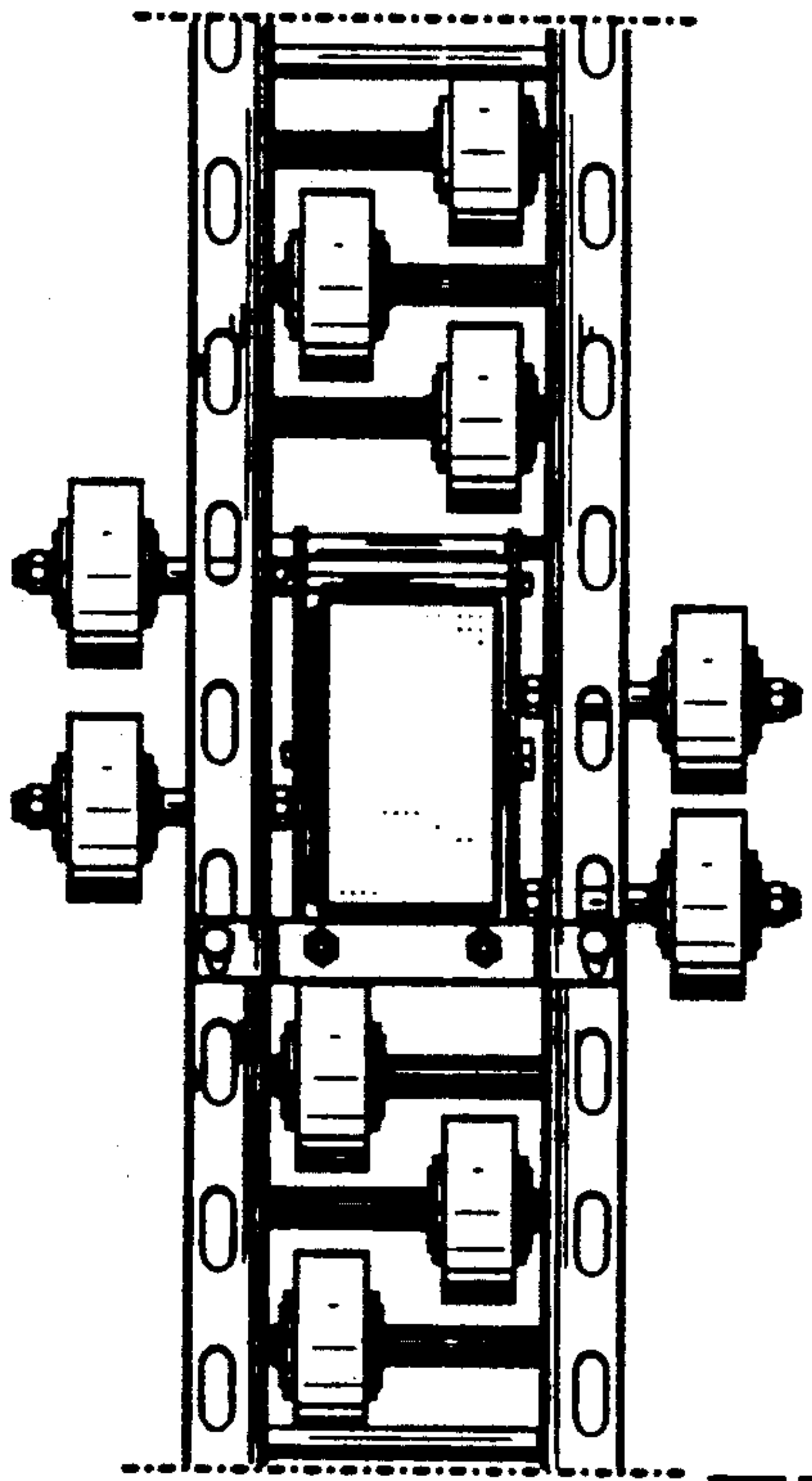
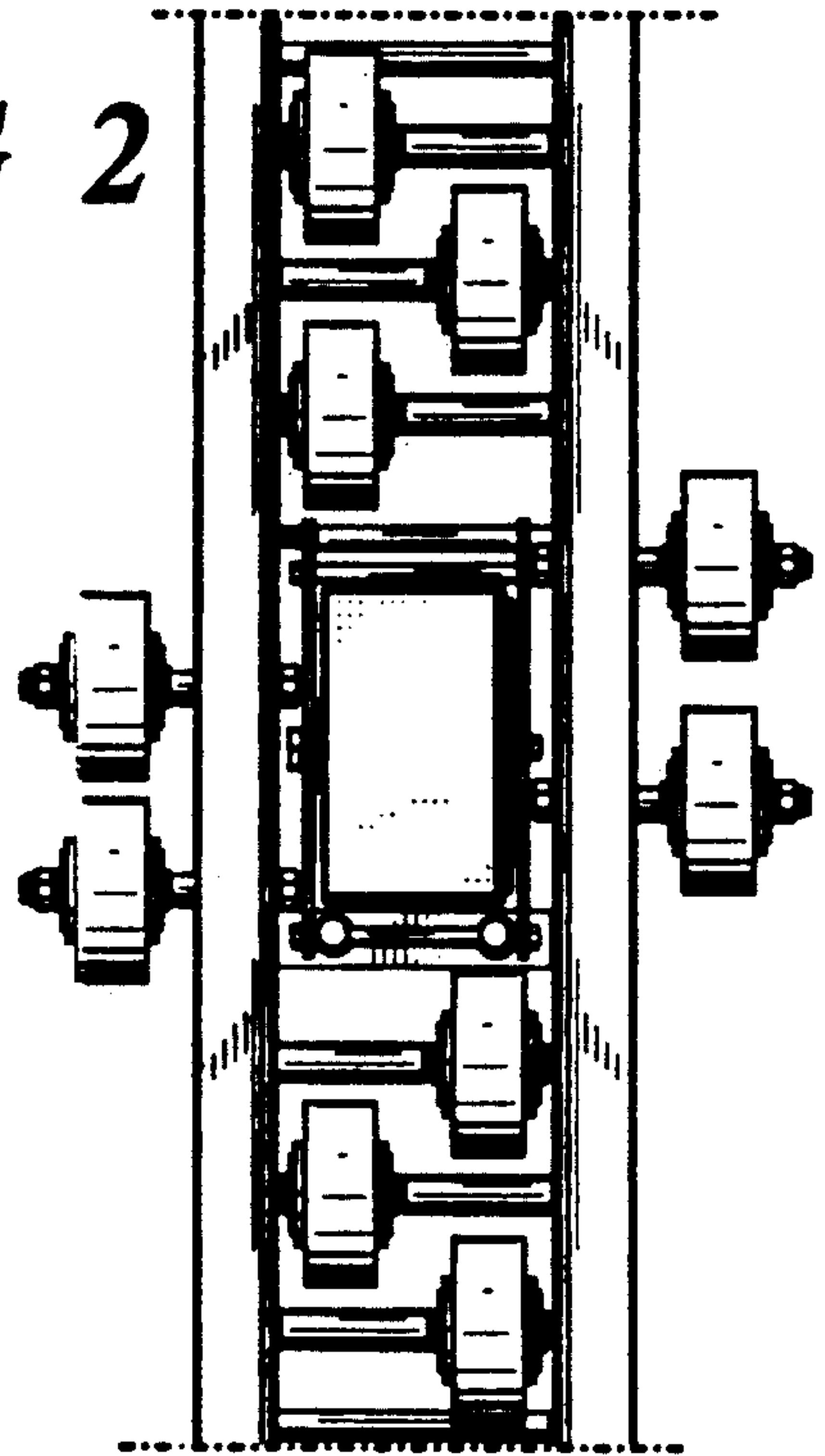


FIG 3

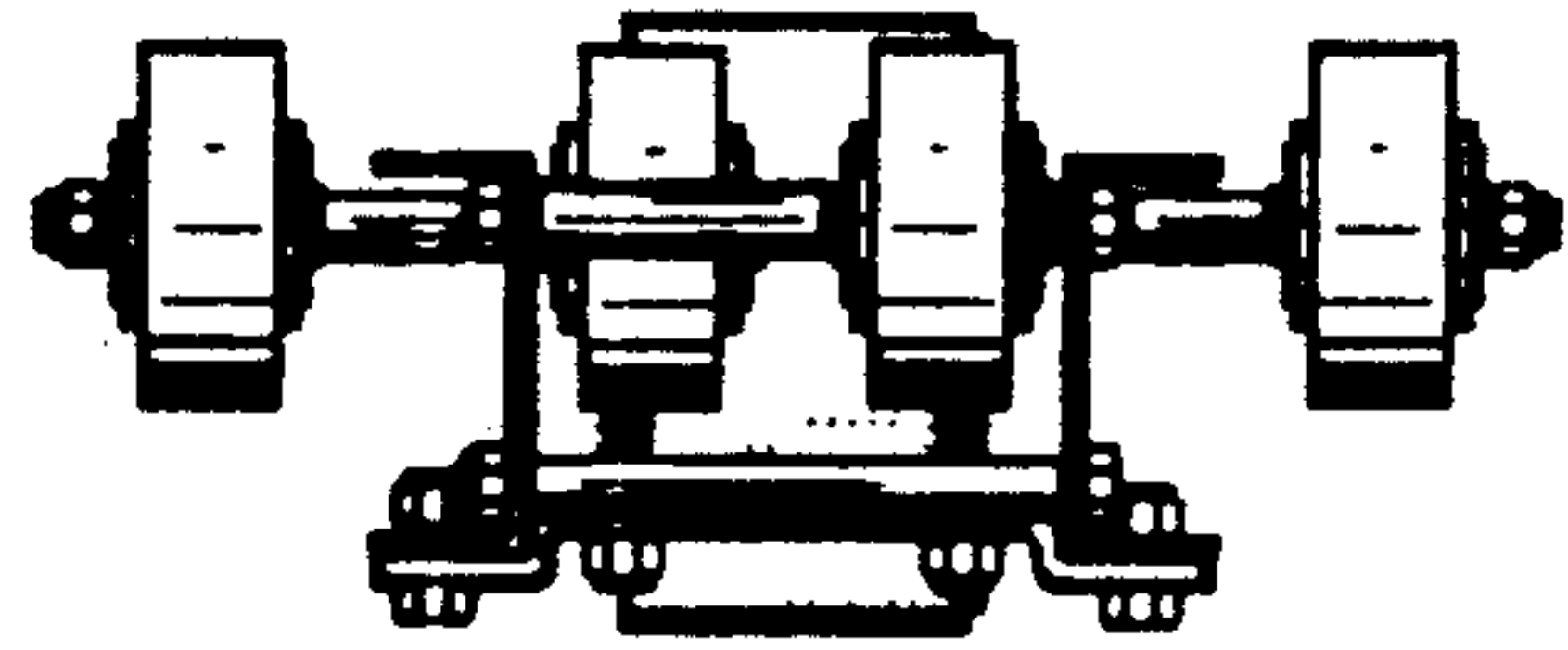


FIG 4

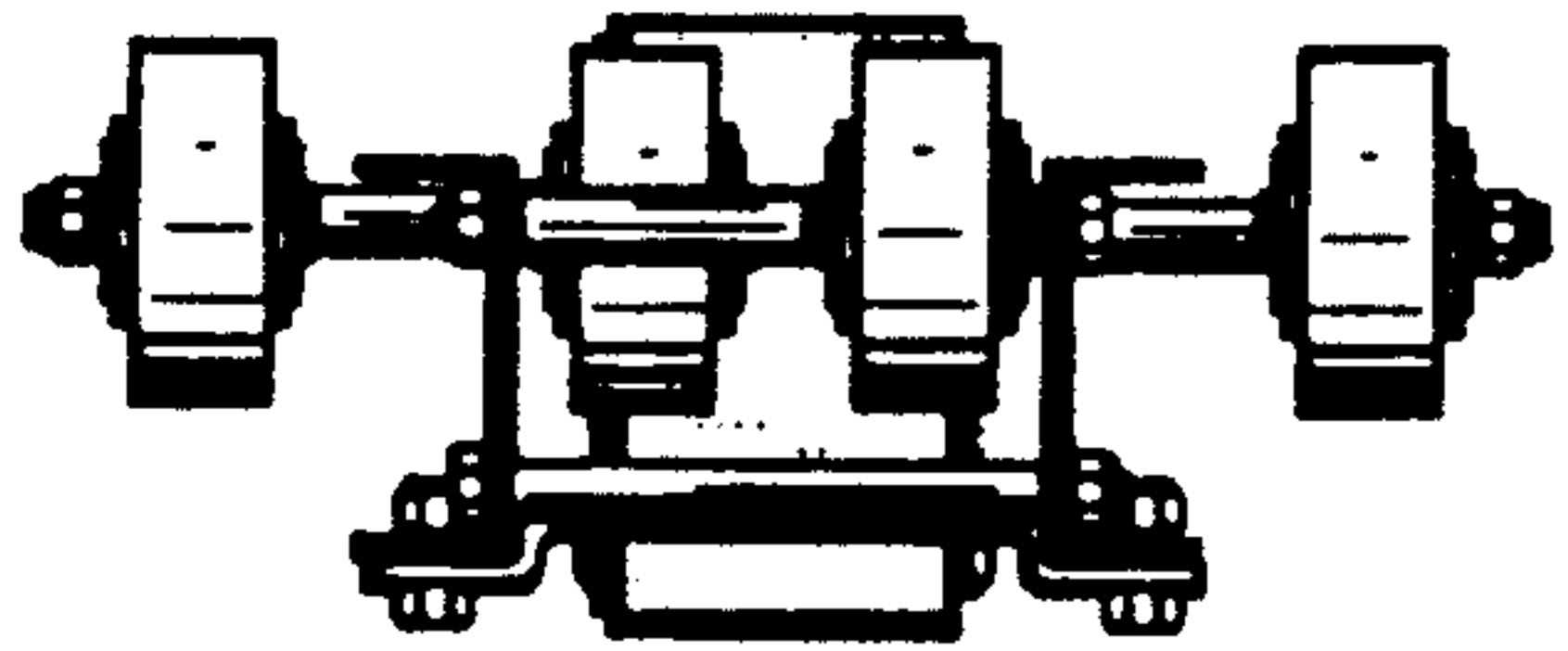


FIG 5

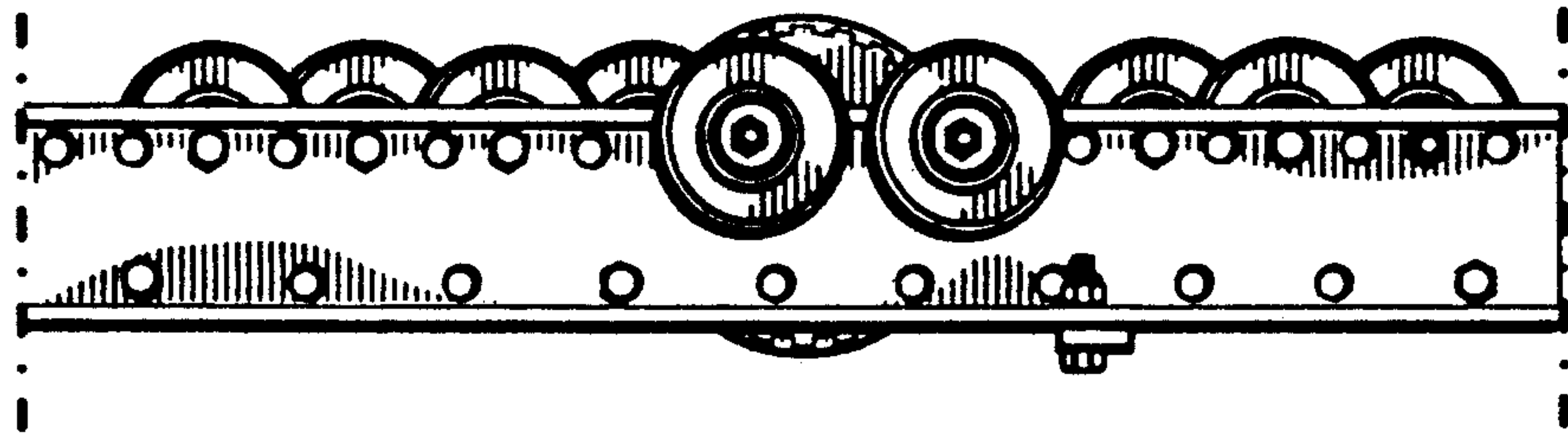


FIG 6

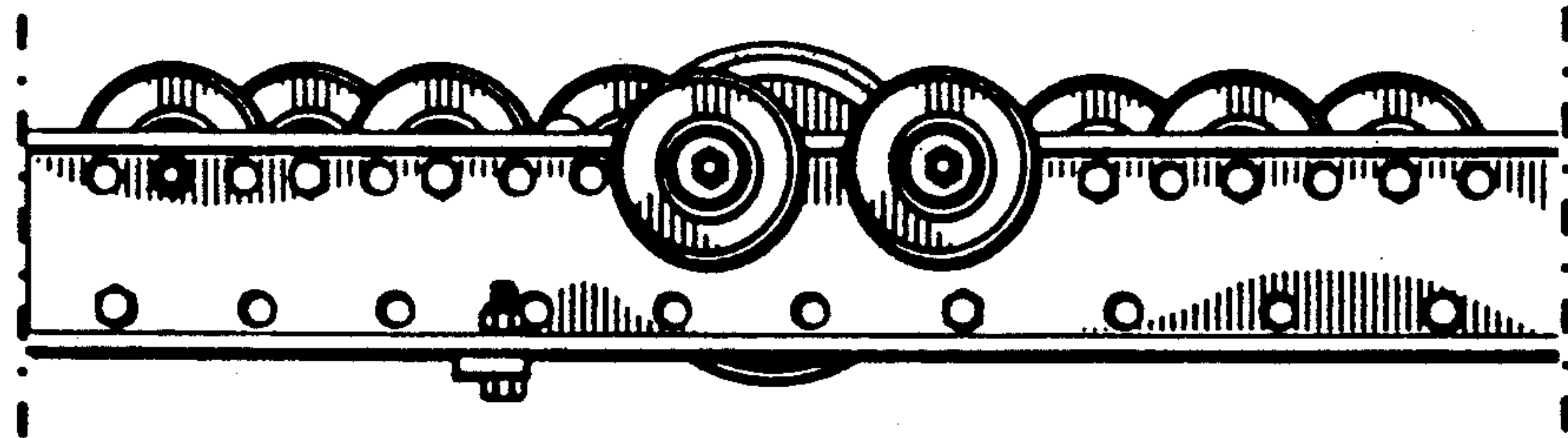


FIG 7

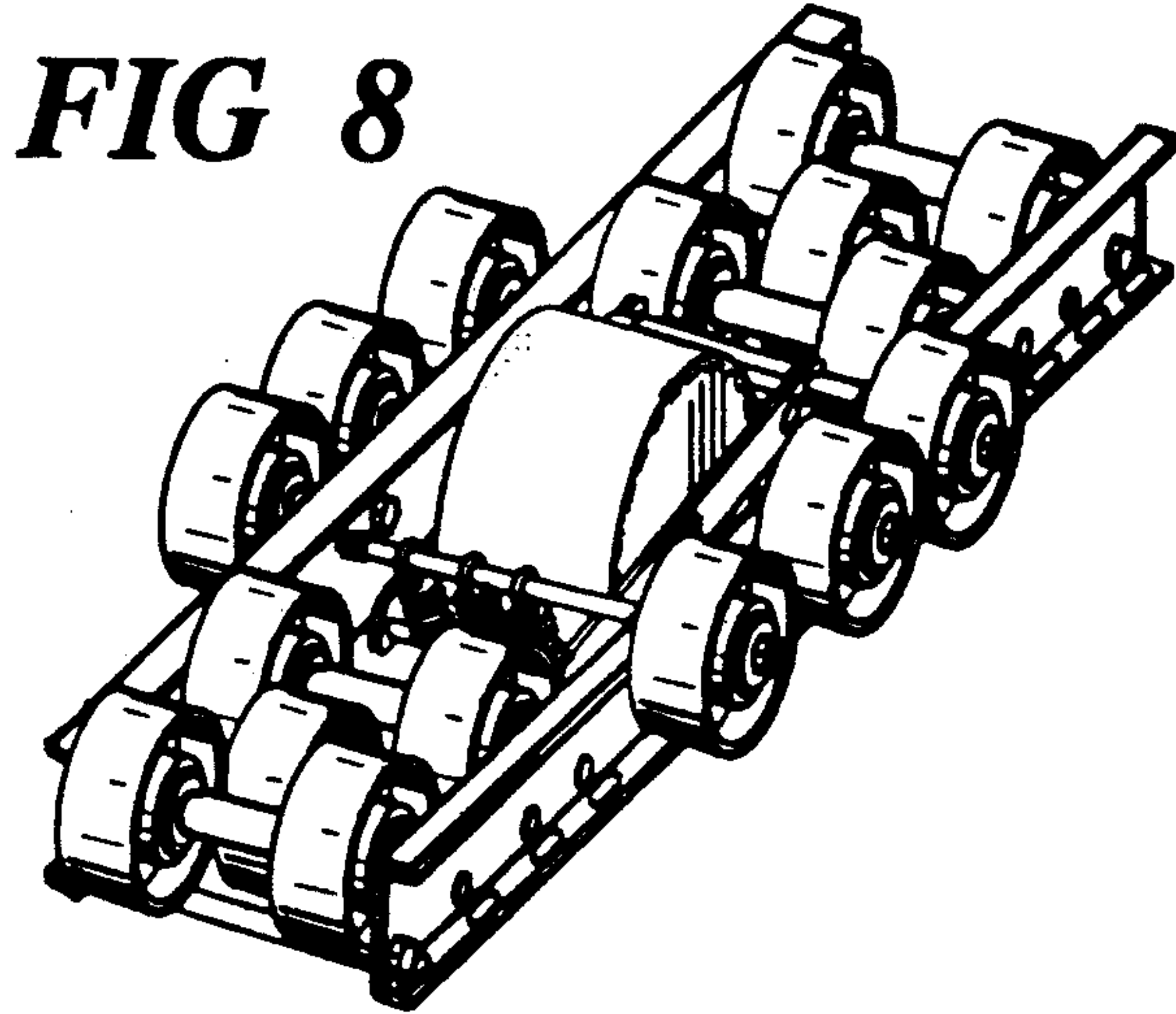


FIG 9

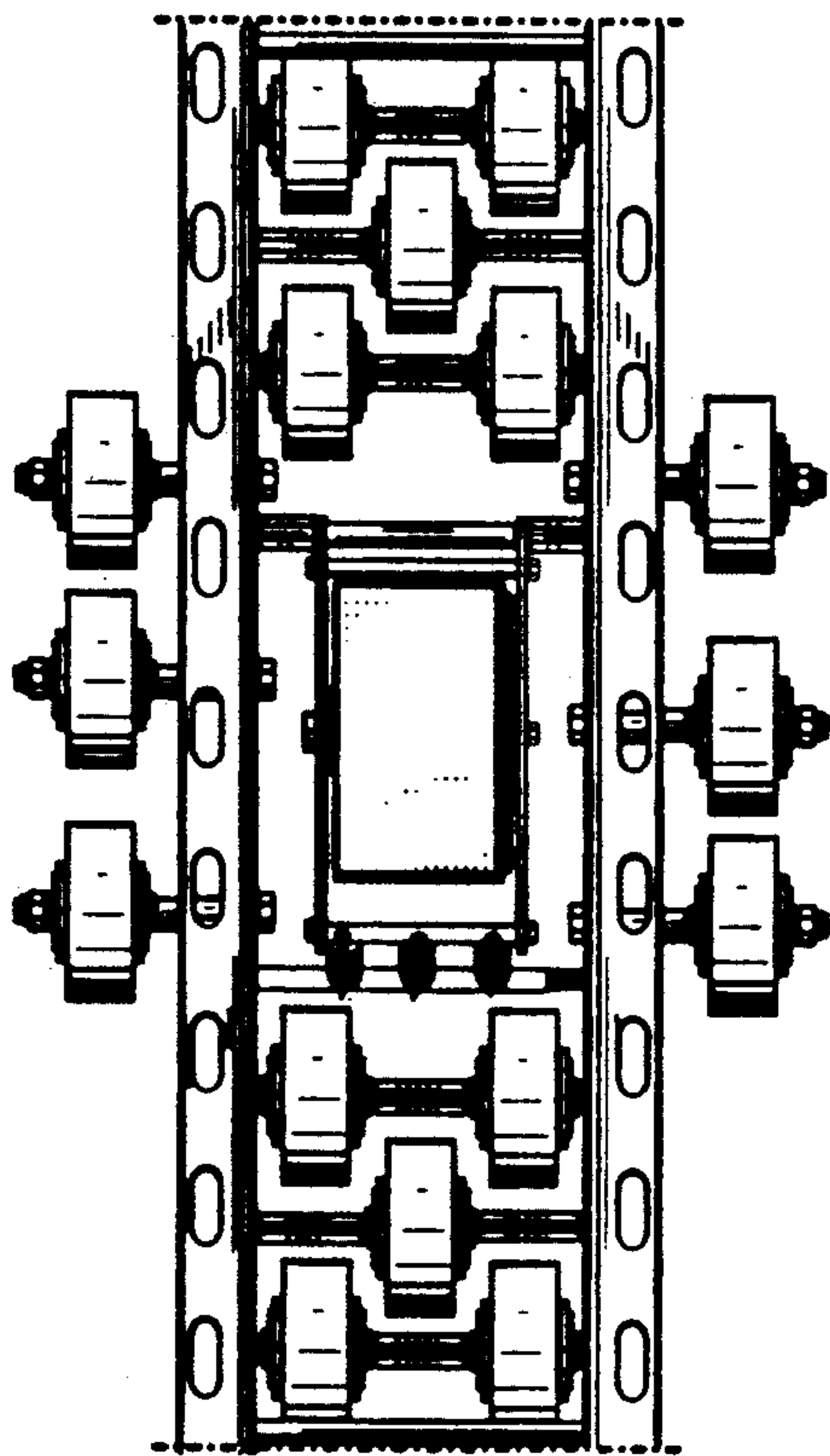
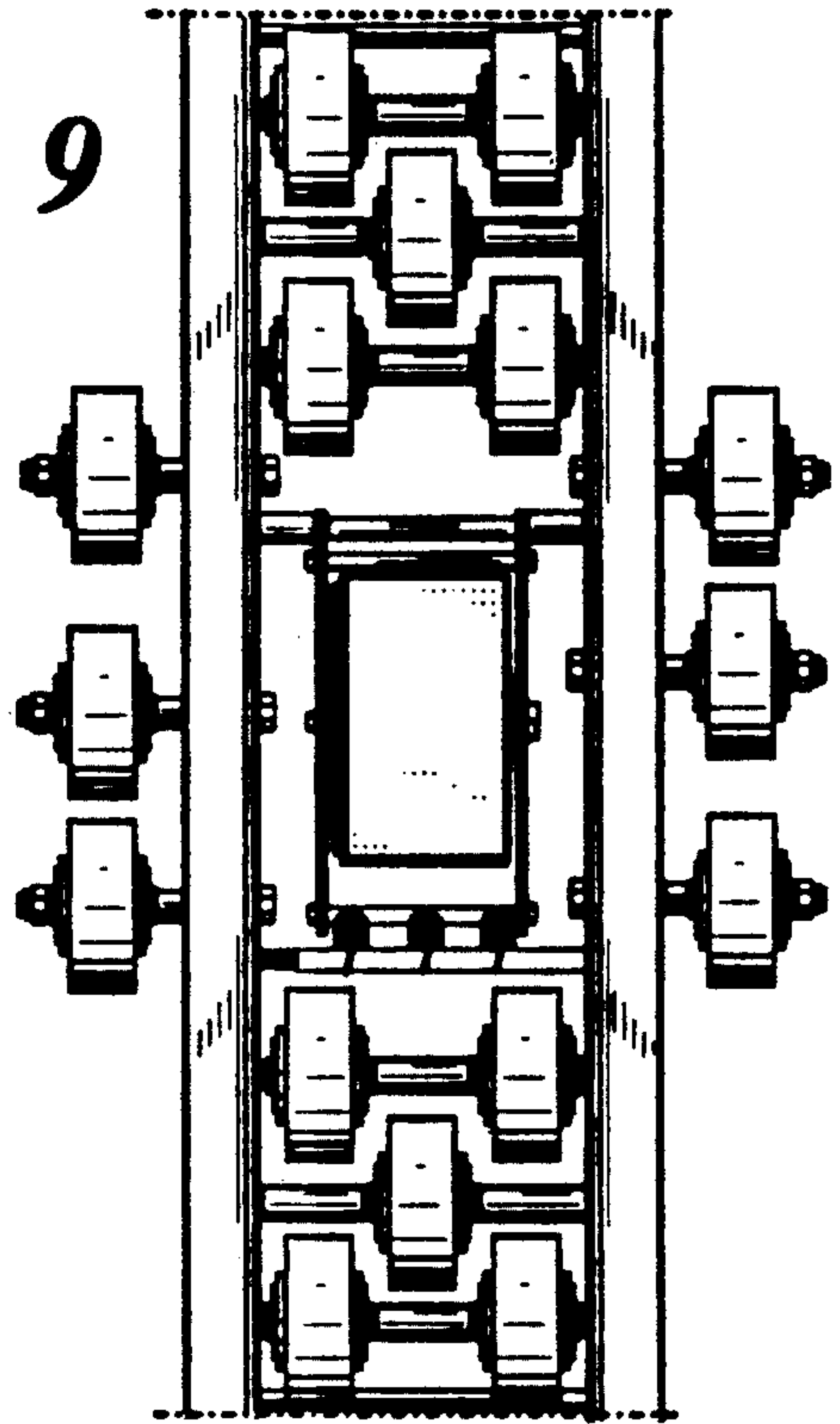


FIG 10

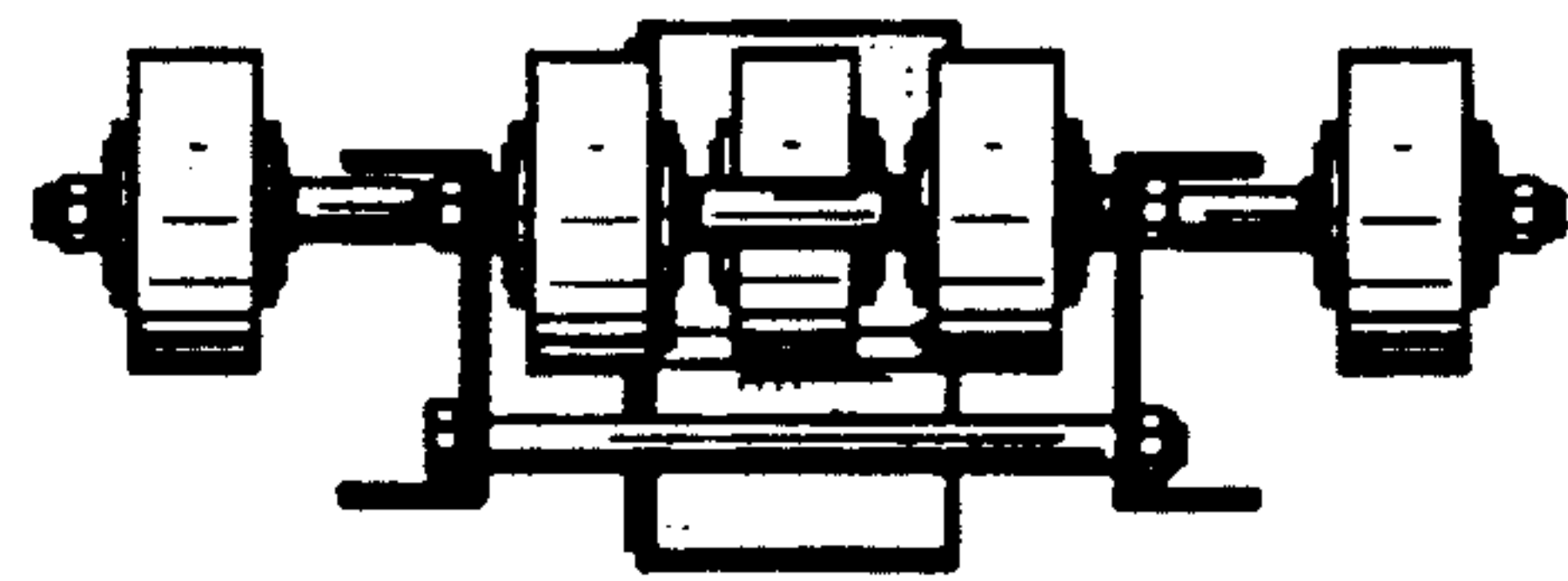


FIG 11

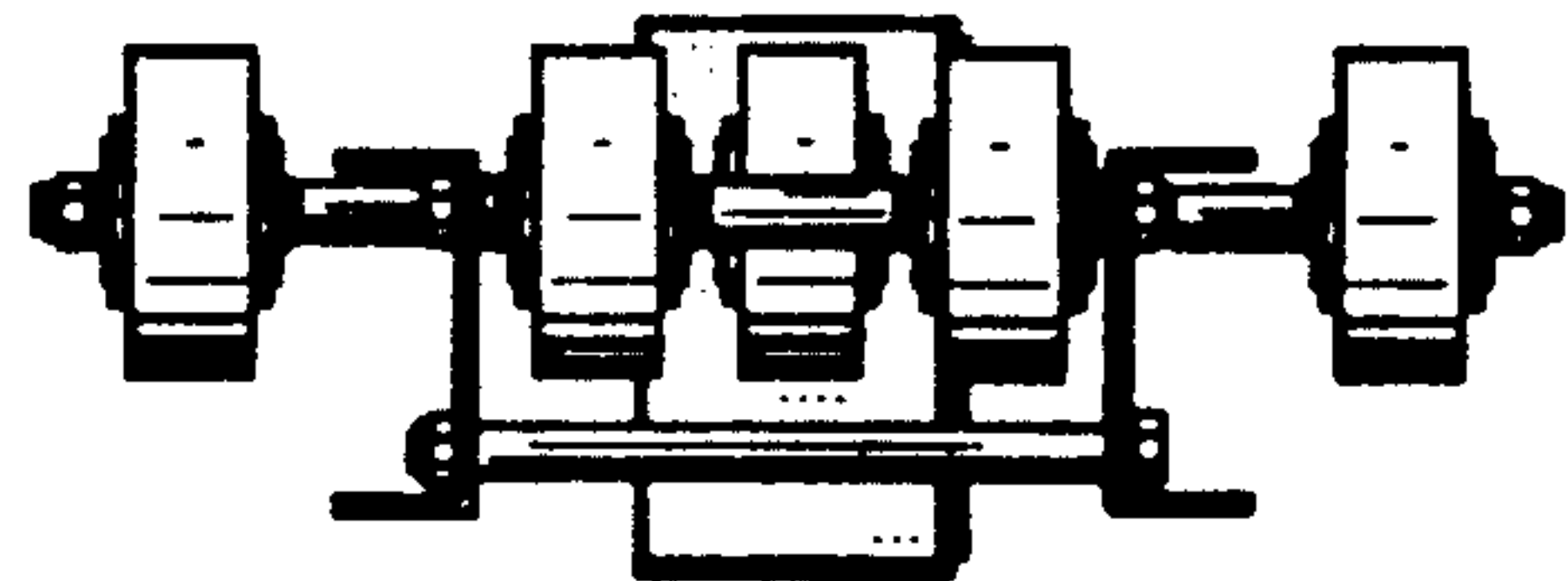


FIG 12

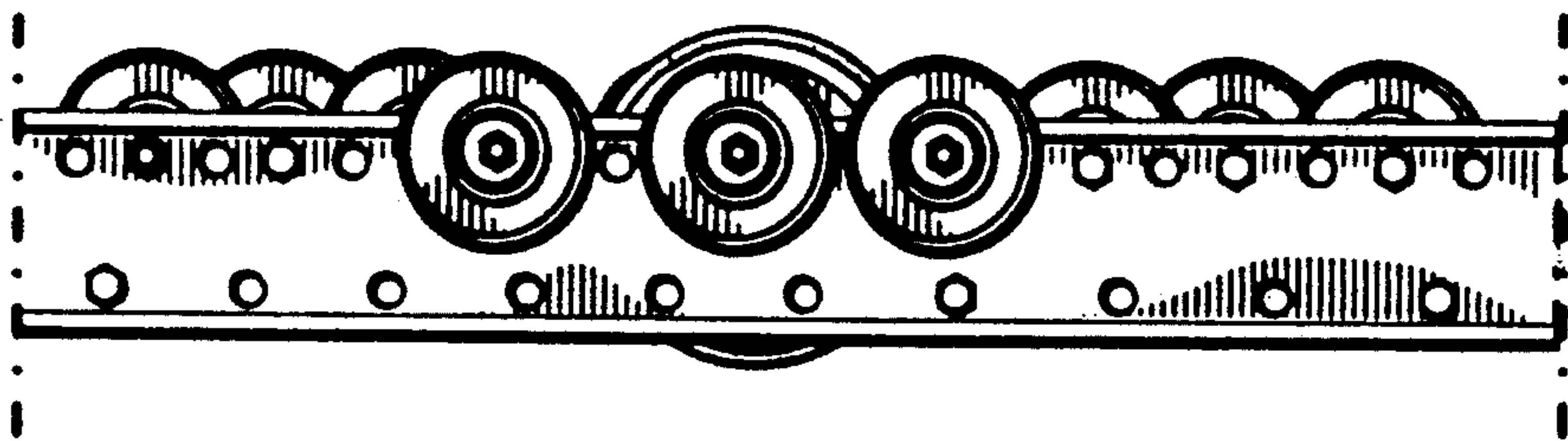


FIG 13

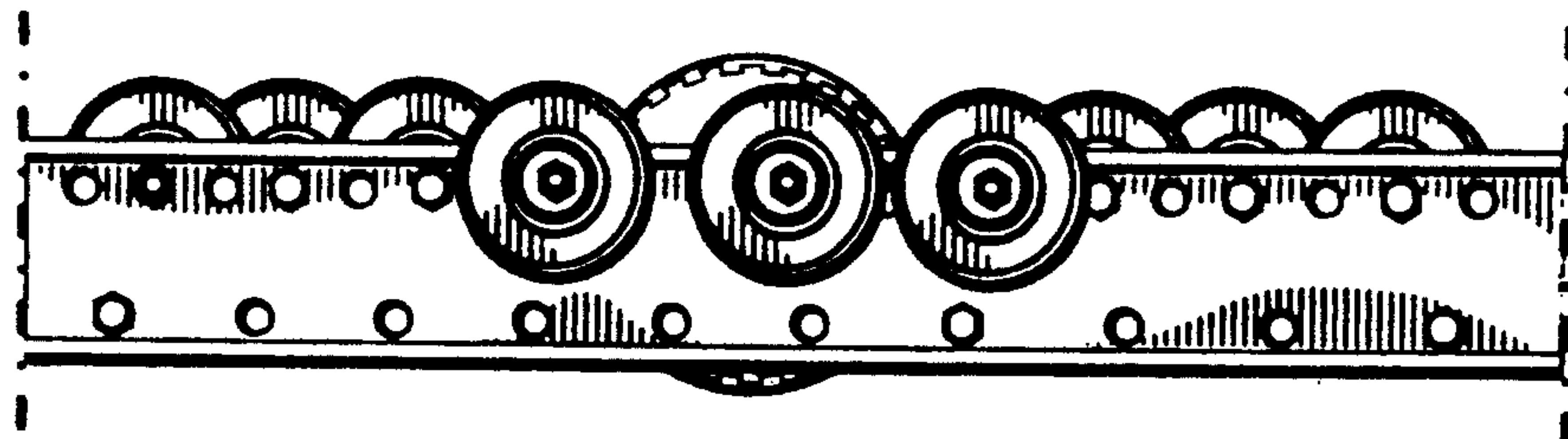


FIG 14