



US00D340338S

United States Patent [19]

Van Buren

[11] Patent Number: **Des. 340,338**

[45] Date of Patent: **** Oct. 12, 1993**

[54] **GOLF BAG STRAP**

4,091,766 5/1978 Colliard D30/152
4,966,137 10/1990 Davini D30/152

[76] Inventor: **Scott C. Van Buren**, 717 Beekman St.,
Waupun, Wis. 53963

Primary Examiner—Kay H. Chin
Attorney, Agent, or Firm—Leon Gilden

[**] Term: **14 Years**

[57] **CLAIM**

[21] Appl. No.: **802,753**

The ornamental design for a golf bag strap, as shown
and described.

[22] Filed: **Dec. 9, 1991**

[52] U.S. Cl. **D34/27; D34/15**

[58] Field of Search **D34/15, 24, 27;**
D30/152; D2/627, 628, 249, 638, 639

DESCRIPTION

[56] **References Cited**

U.S. PATENT DOCUMENTS

D. 183,289	7/1958	Ott	D34/24
D. 297,248	8/1988	Barr	D30/152
19,360	10/1889	Sanders	D2/627
3,086,529	4/1963	Munz et al.	D30/152
3,134,548	5/1964	Medina et al.	D2/628

FIG. 1 is a front elevational view of the golf bag strap showing my new design;
FIG. 2 is a rear elevational view thereof;
FIG. 3 is a left side elevational view thereof;
FIG. 4 is a right side elevational view thereof;
FIG. 5 is a top plan view thereof;
FIG. 6 is a bottom plan view thereof; and,
FIG. 7 is a perspective view of the strap showing a use.
The broken lines are for illustrative purposes only and form no part of the claimed design.

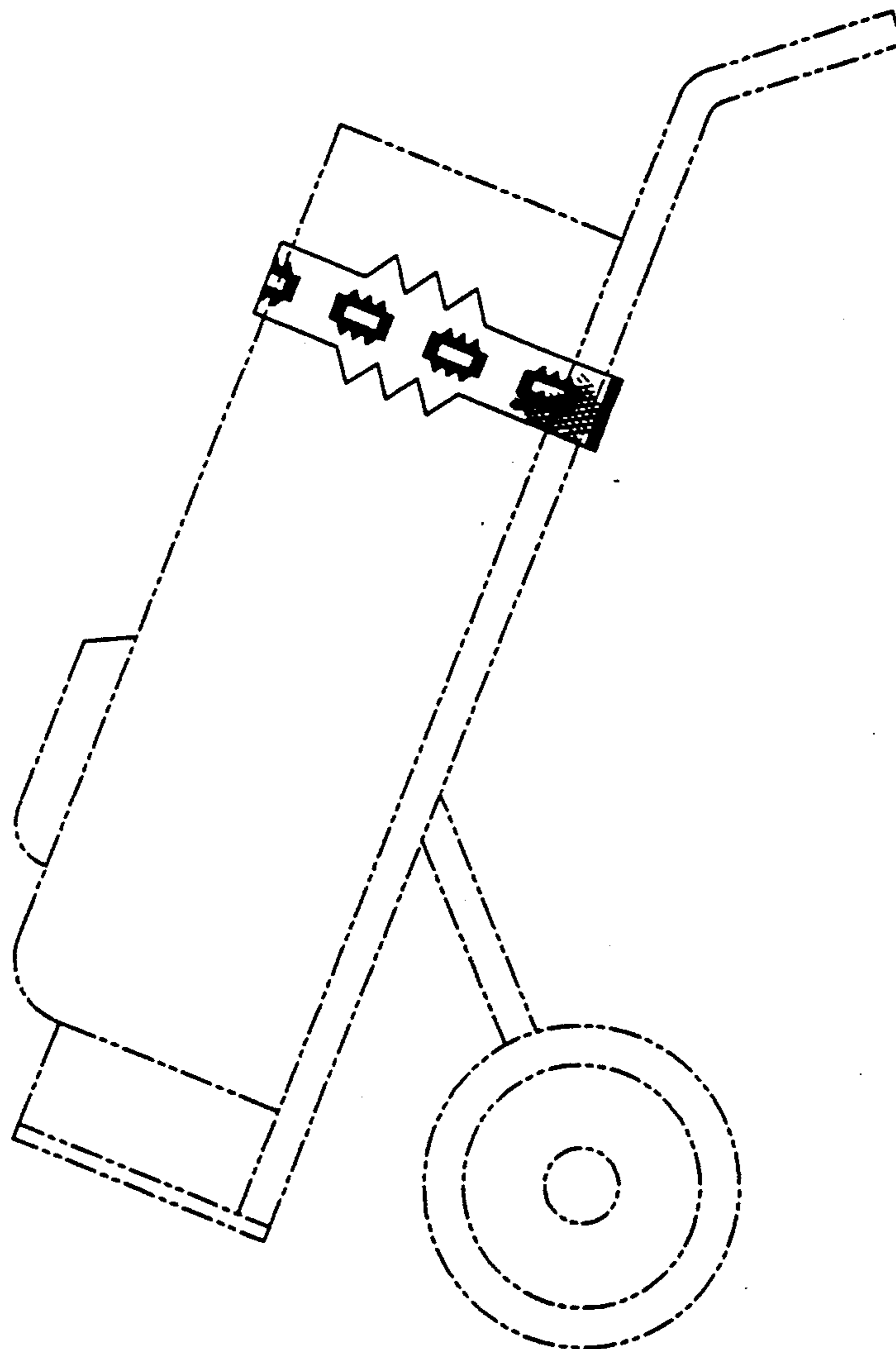


FIG. 1



FIG. 2

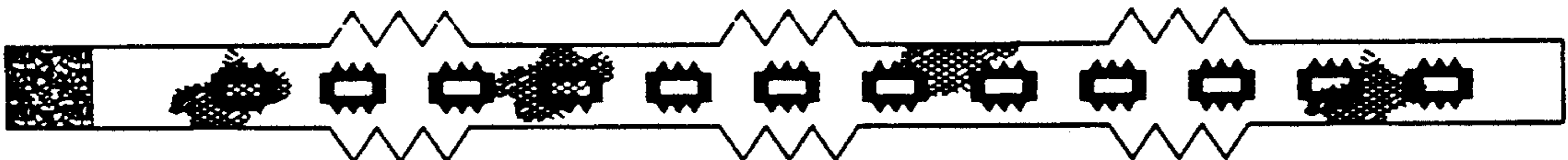


FIG. 3



FIG. 4

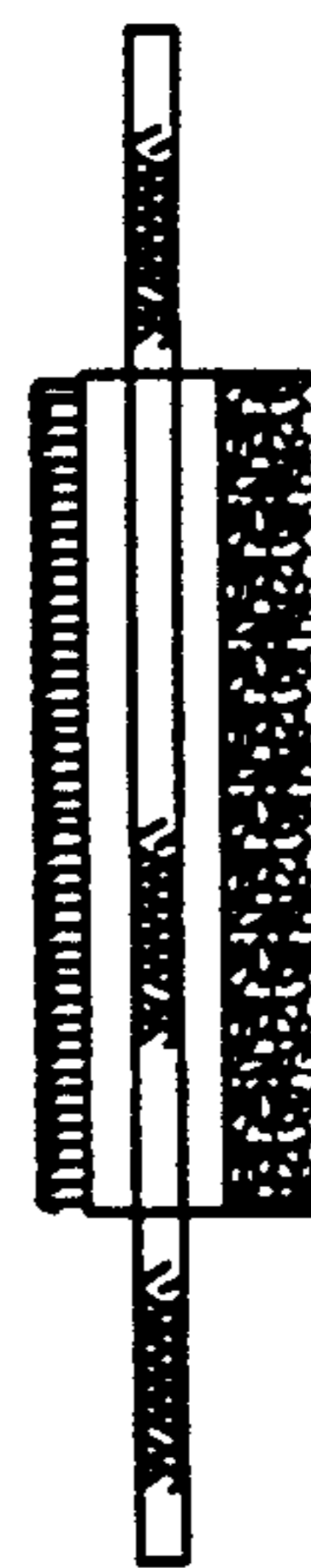


FIG. 5



FIG. 6



FIG. 7

