



US00D340337S

United States Patent [19]

[11] Patent Number: **Des. 340,337**

Beasley

[45] Date of Patent: **** Oct. 12, 1993**

[54] **DOLLY FOR MOVING DOORS**

4,850,605 7/1989 Ray 280/47.331

[76] Inventor: **David L. Beasley**, 25122 Manzanita Dr., Dana Point, Calif. 92629

Primary Examiner—Kay H. Chin
Attorney, Agent, or Firm—Knobbe, Martens, Olson & Bear

[**] Term: **14 Years**

[57] **CLAIM**

[21] Appl. No.: **830,278**

The ornamental design of a dolly for moving doors, as shown and described.

[22] Filed: **Feb. 4, 1992**

[52] U.S. Cl. **D34/23**

[58] Field of Search **D34/23, 12, 27; 280/47, 280/32, 79.11, 35, 47.131, 47.331, 47.2, 47.27**

DESCRIPTION

FIG. 1 is a perspective view of a dolly for moving doors. The broken lines showing a door are for illustrative purposes only and form no part of the claimed design;

[56] **References Cited**

U.S. PATENT DOCUMENTS

- D. 310,894 9/1990 Smith D34/23
- 3,717,357 2/1973 Schaefer 280/79.11
- 3,942,813 3/1976 Dombroski 280/47.131

FIG. 2 is a top plan view of the article;

FIG. 3 is a front elevational view;

FIG. 4 is a side elevational view; and,

FIG. 5 is a bottom plan view.

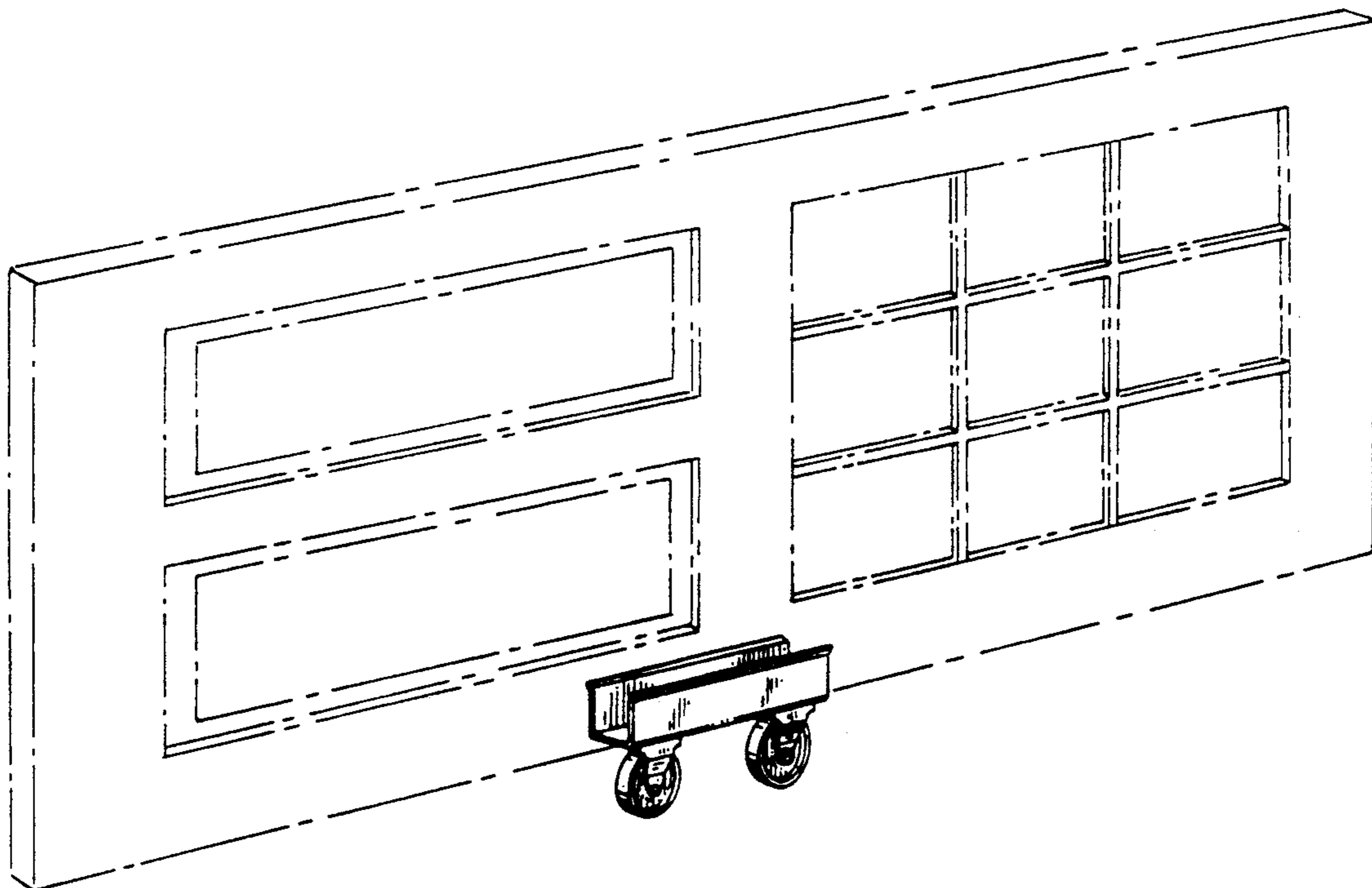


FIG. 1

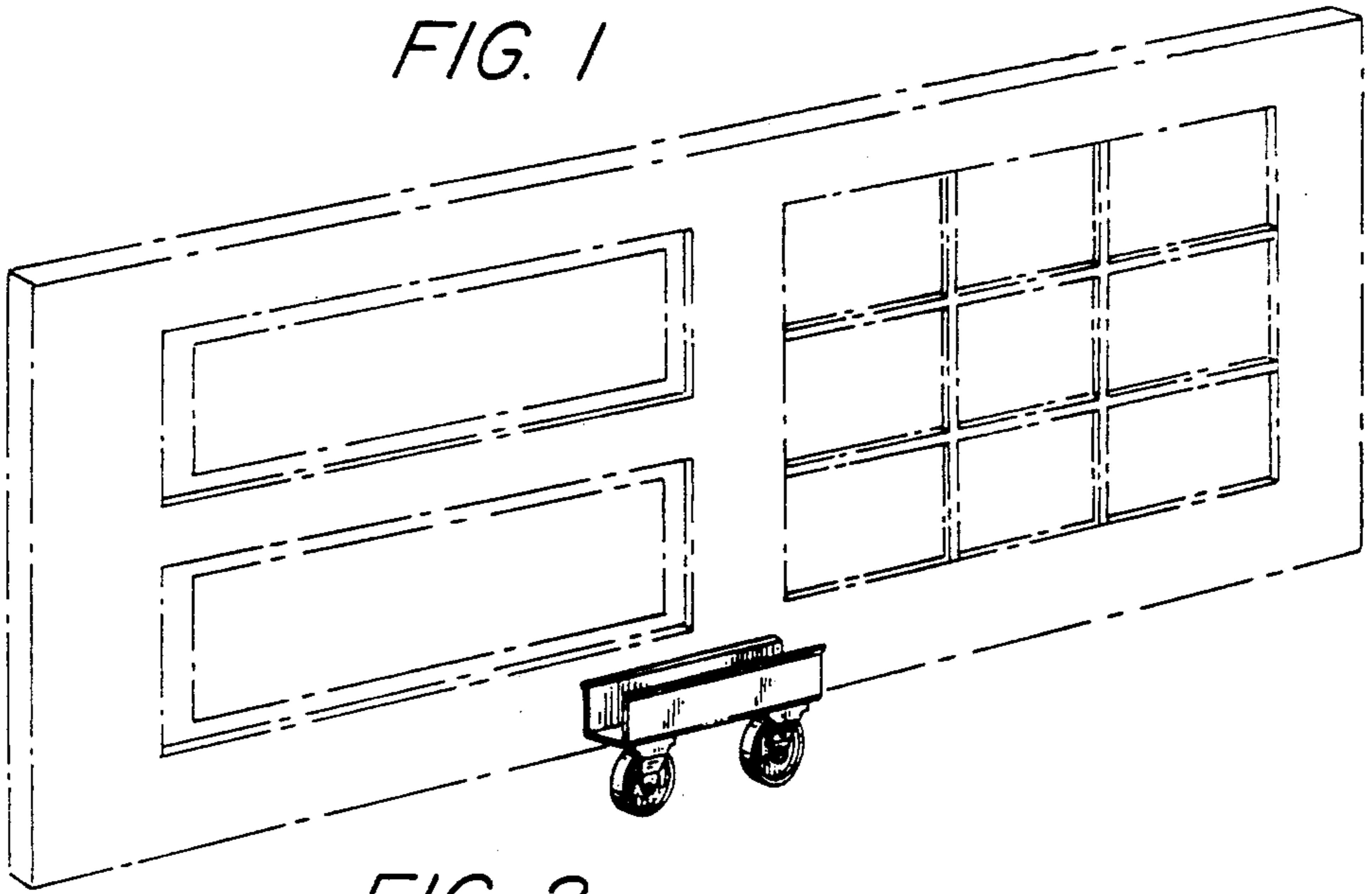


FIG. 2

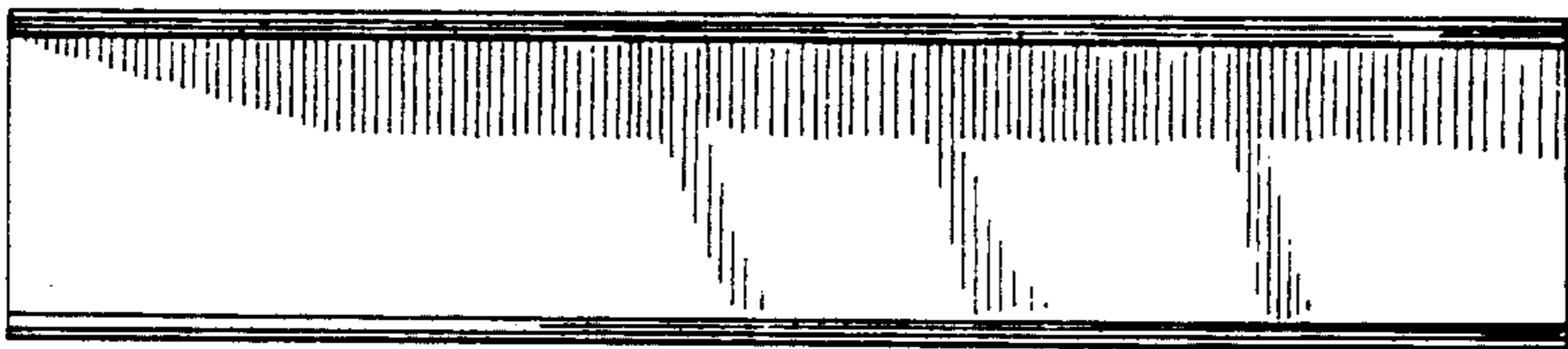


FIG. 3

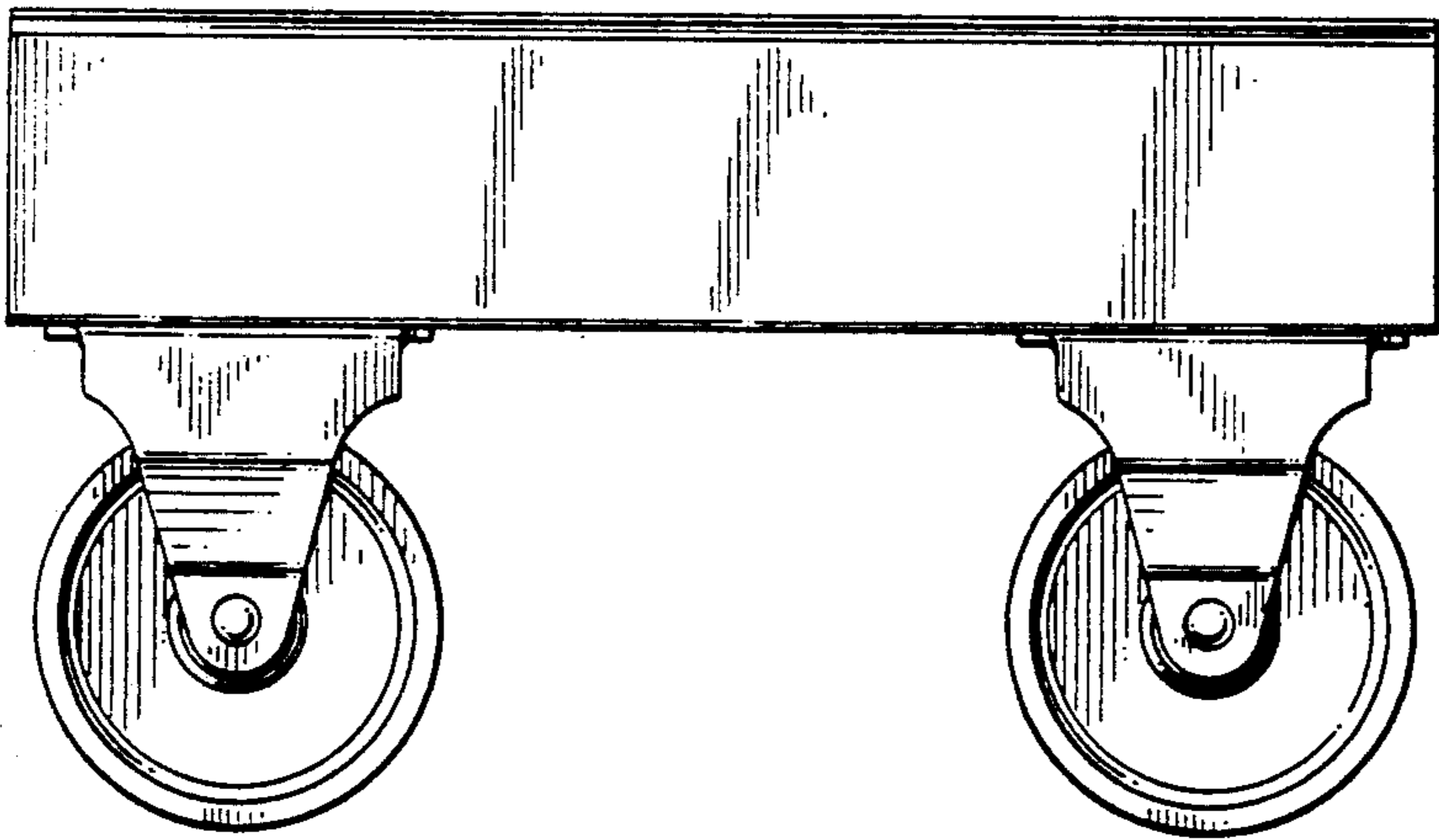


FIG. 4

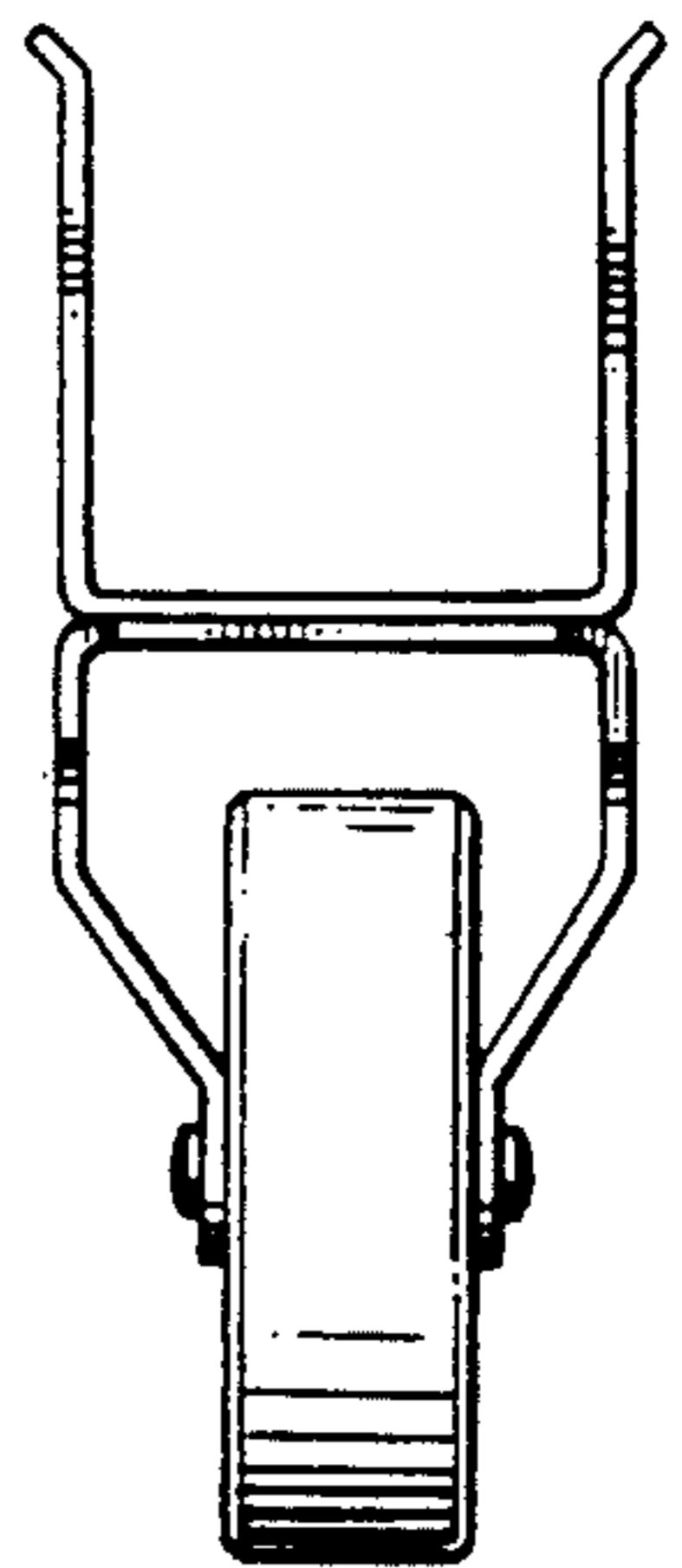


FIG. 5

