



US00D340335S

# United States Patent [19]

[11] Patent Number: Des. 340,335

Kean et al.

[45] Date of Patent: \*\* Oct. 12, 1993

- [54] CONVERTIBLE HANDTRUCK
- [75] Inventors: J. H. B. Kean, Marina Del Ray, Calif.; Everette A. Brumbelow; Henry C. Grimes, both of Rome, Ga.; Dennis Schultz, Cartersville, Ga.; Mickey Watson, Rome, Ga.
- [73] Assignee: The Fairbanks Company, Rome, Ga.
- [\*\*] Term: 14 Years
- [21] Appl. No.: 871,214
- [22] Filed: Apr. 20, 1992
- [52] U.S. Cl. .... D34/17; D34/26
- [58] Field of Search ..... D34/12, 17, 23, 24, D34/26; 280/47.27, 47.18, 47.2, 47.34

3,785,669 1/1974 Doheny ..... 280/47  
 4,009,891 3/1977 Jensen ..... 280/651

Primary Examiner—Kay H. Chin  
 Attorney, Agent, or Firm—Dowell & Dowell

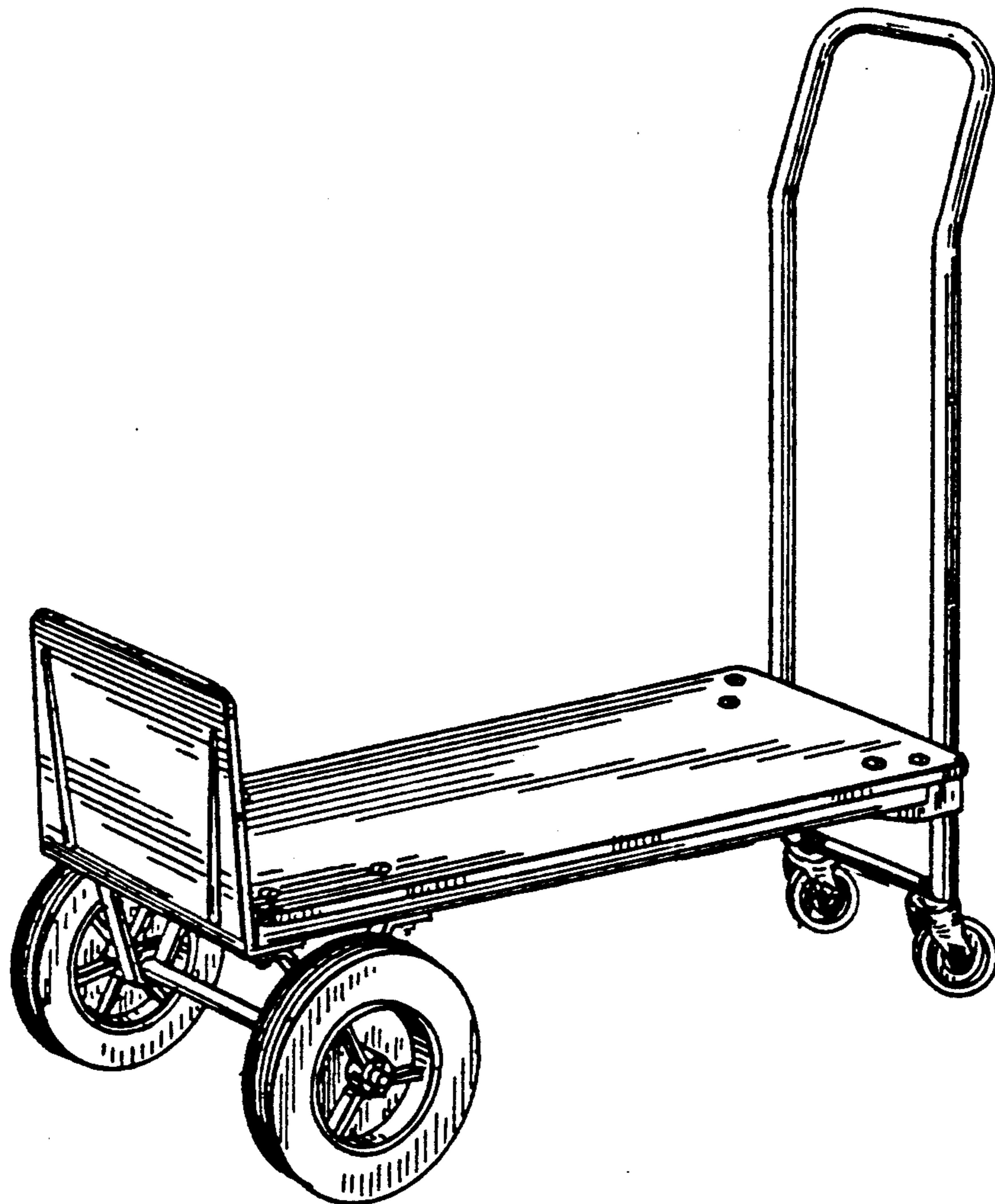
### [57] CLAIM

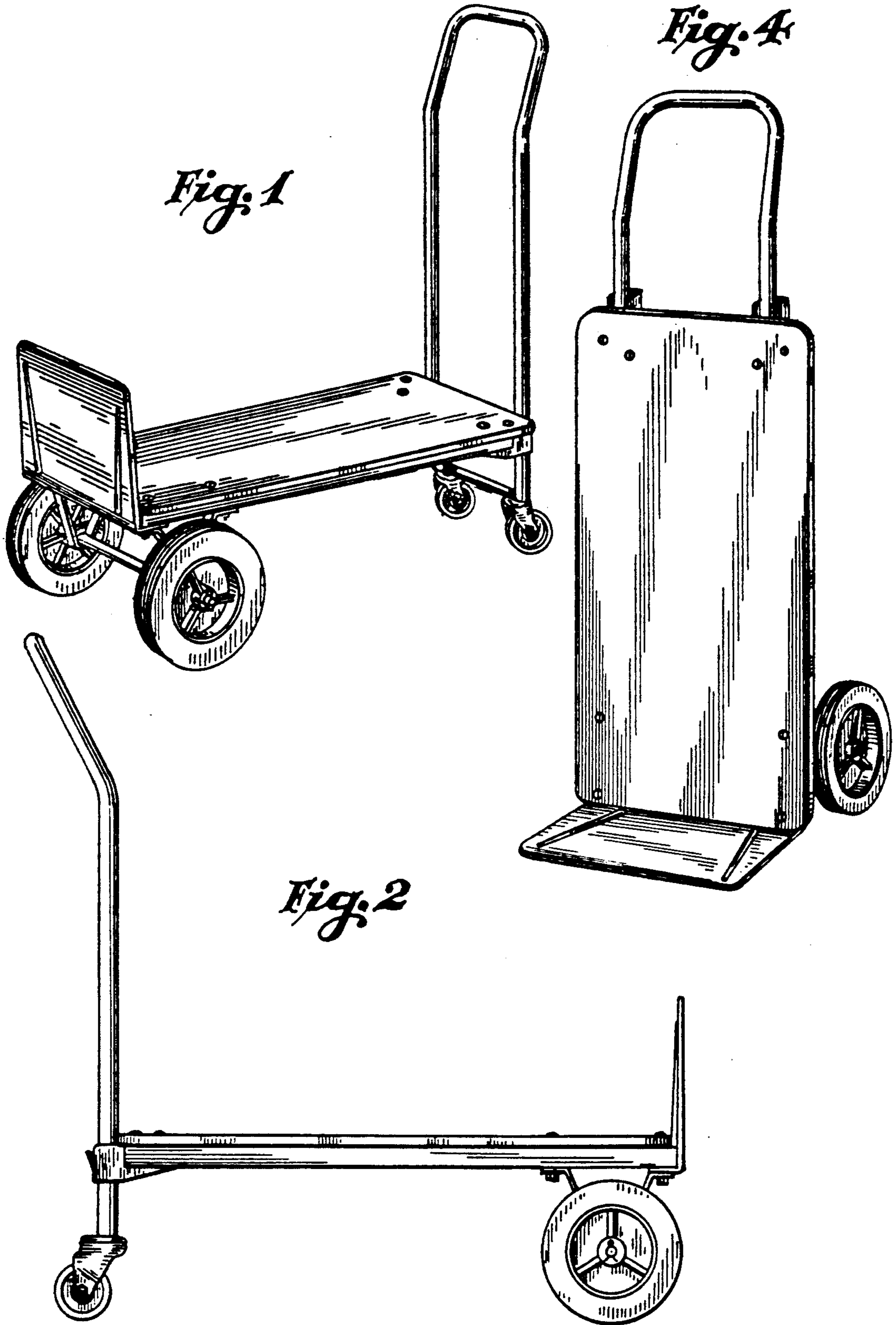
The ornamental design for a convertible handtruck, as shown and described.

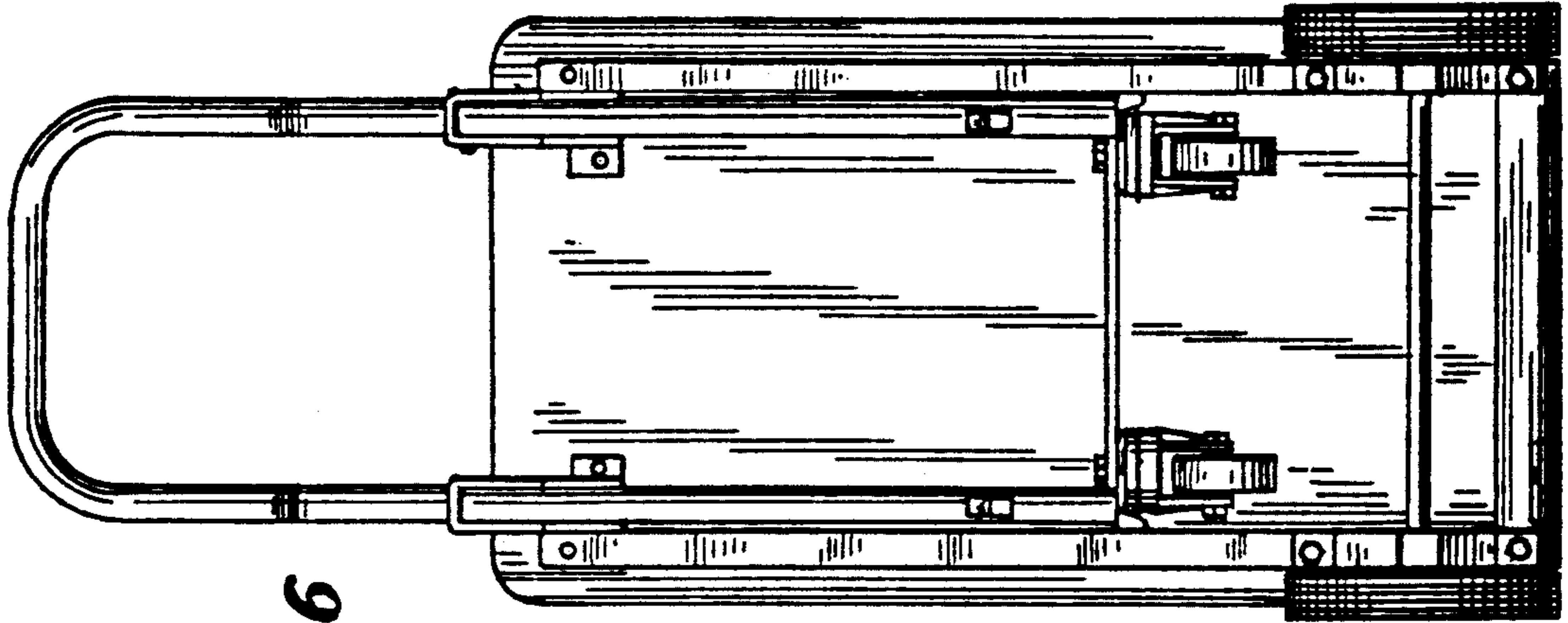
### DESCRIPTION

FIG. 1 is a perspective of a convertible handtruck in position for use as a container platform truck showing my new design;  
 FIG. 2 is a side elevational view thereof, the opposite side being a mirror image;  
 FIG. 3 is a rear elevation;  
 FIG. 4 is a perspective in an alternate position for use as a handtruck dolly;  
 FIG. 5 is a side elevation thereof, the opposite side elevation being a mirror image; and,  
 FIG. 6 is a rear elevation thereof.

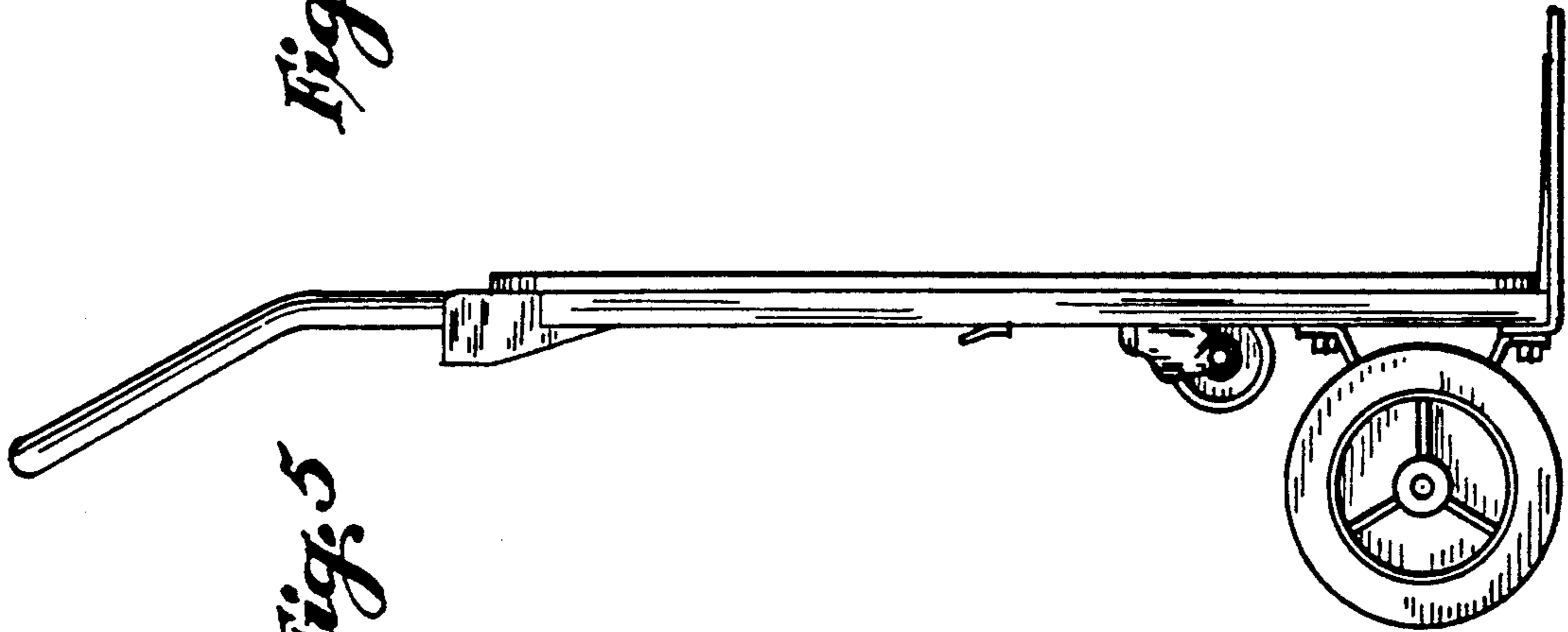
- [56] References Cited
- U.S. PATENT DOCUMENTS
- D. 273,522 4/1984 Zastera ..... D34/17
- D. 289,578 4/1987 Ruffin ..... D34/17



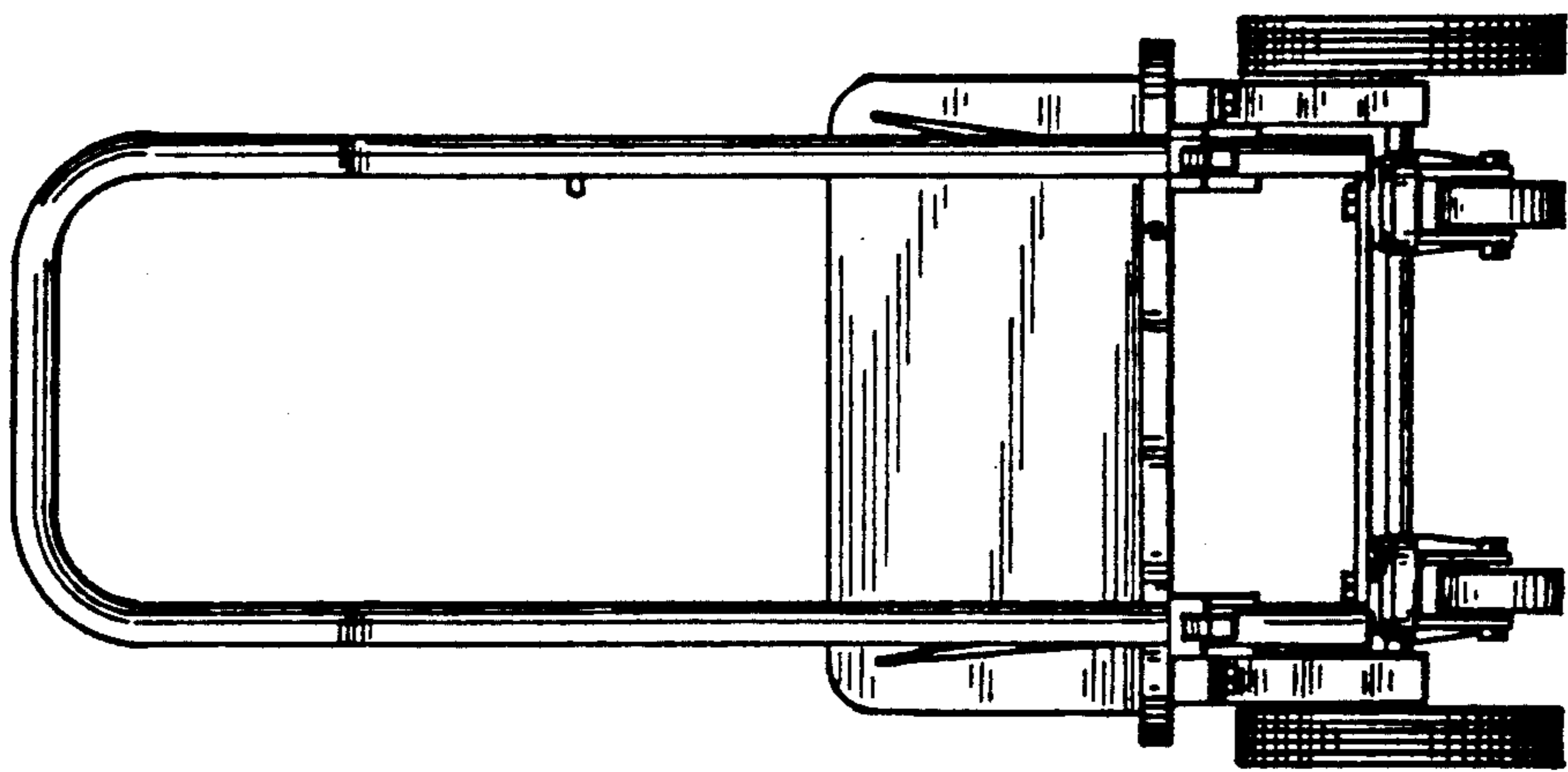




*Fig. 6*



*Fig. 5*



*Fig. 3*