



US00D340329S

United States Patent [19]

[11] Patent Number: **Des. 340,329**

Barrault

[45] Date of Patent: **** Oct. 12, 1993**

[54] **ELECTRIC STEAM IRON**

[56] **References Cited**

[75] Inventor: **Jean-Louis Barrault, Boulogne Billancourt, France**

U.S. PATENT DOCUMENTS

D. 302,061 7/1989 Barrault D32/70
4,702,933 10/1987 Kramer 219/245 X
4,893,422 1/1990 Mahlich et al. 38/77.83 X

[73] Assignee: **Moulinex (Societe Anonyme), Bagnolet, France**

Primary Examiner—Wallace R. Burke
Assistant Examiner—Lavone D. Tabor
Attorney, Agent, or Firm—Young & Thompson

[**] Term: **14 Years**

[57] CLAIM

[21] Appl. No.: **638,455**

The ornamental design for an electric steam iron, as shown.

[22] Filed: **Jan. 7, 1991**

DESCRIPTION

[30] Foreign Application Priority Data

Jul. 13, 1990 [FR] France 904489
[52] U.S. Cl. D32/70
[58] Field of Search D32/68-70;
38/69, 74, 77.1-77.2, 77.5-77.8, 77.81-77.83,
77.9, 88, 90, 93; 219/245, 248, 250

FIG. 1 is a perspective view of an electric steam iron showing my new design;
FIG. 2 is a side elevational view thereof;
FIG. 3 is a side elevational view thereof from the side opposite that shown in FIG. 2;
FIG. 4 is a front elevational view thereof;
FIG. 5 is a rear elevational view thereof;
FIG. 6 is a top plan view thereof; and,
FIG. 7 is a bottom plan view thereof.

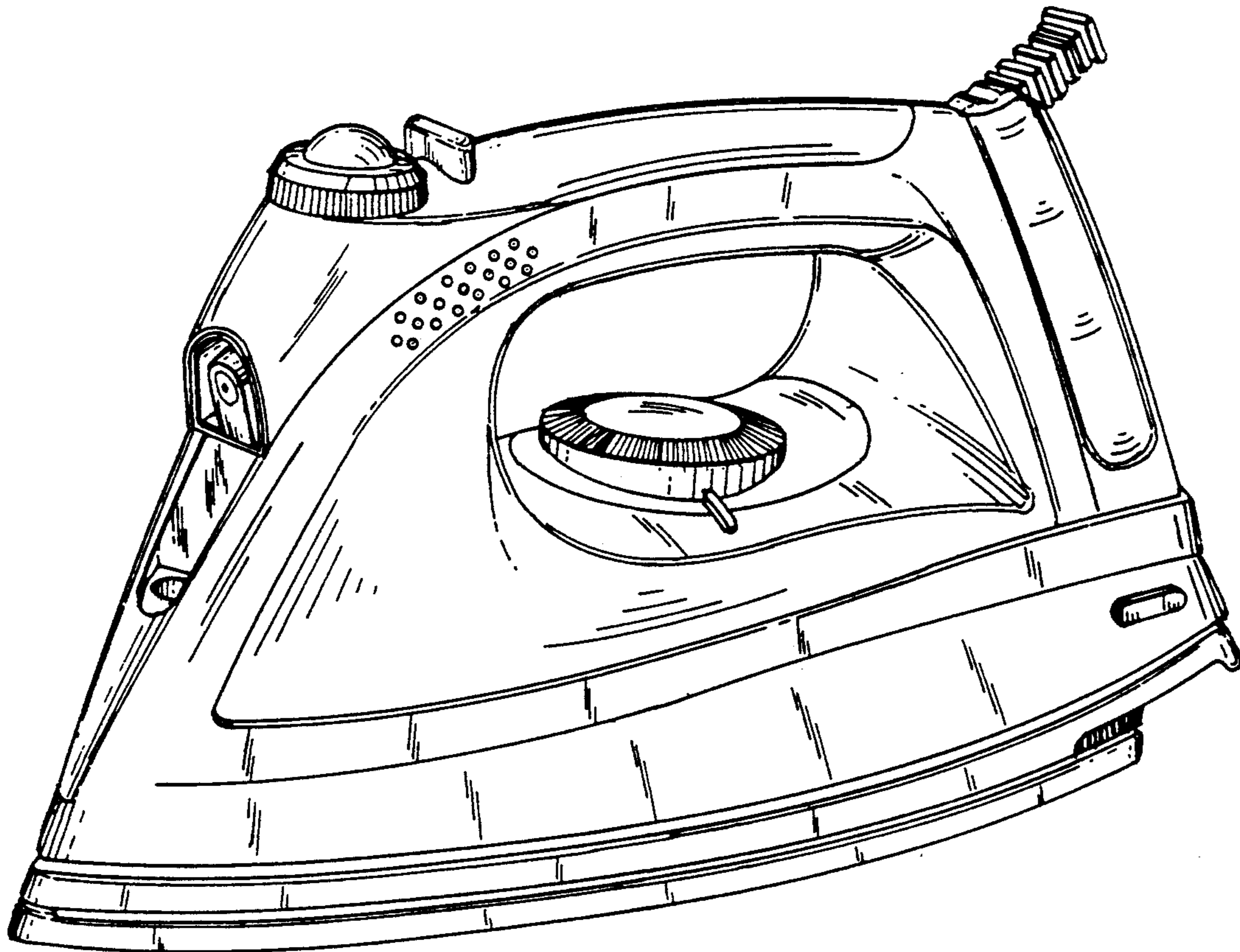


FIG. 1

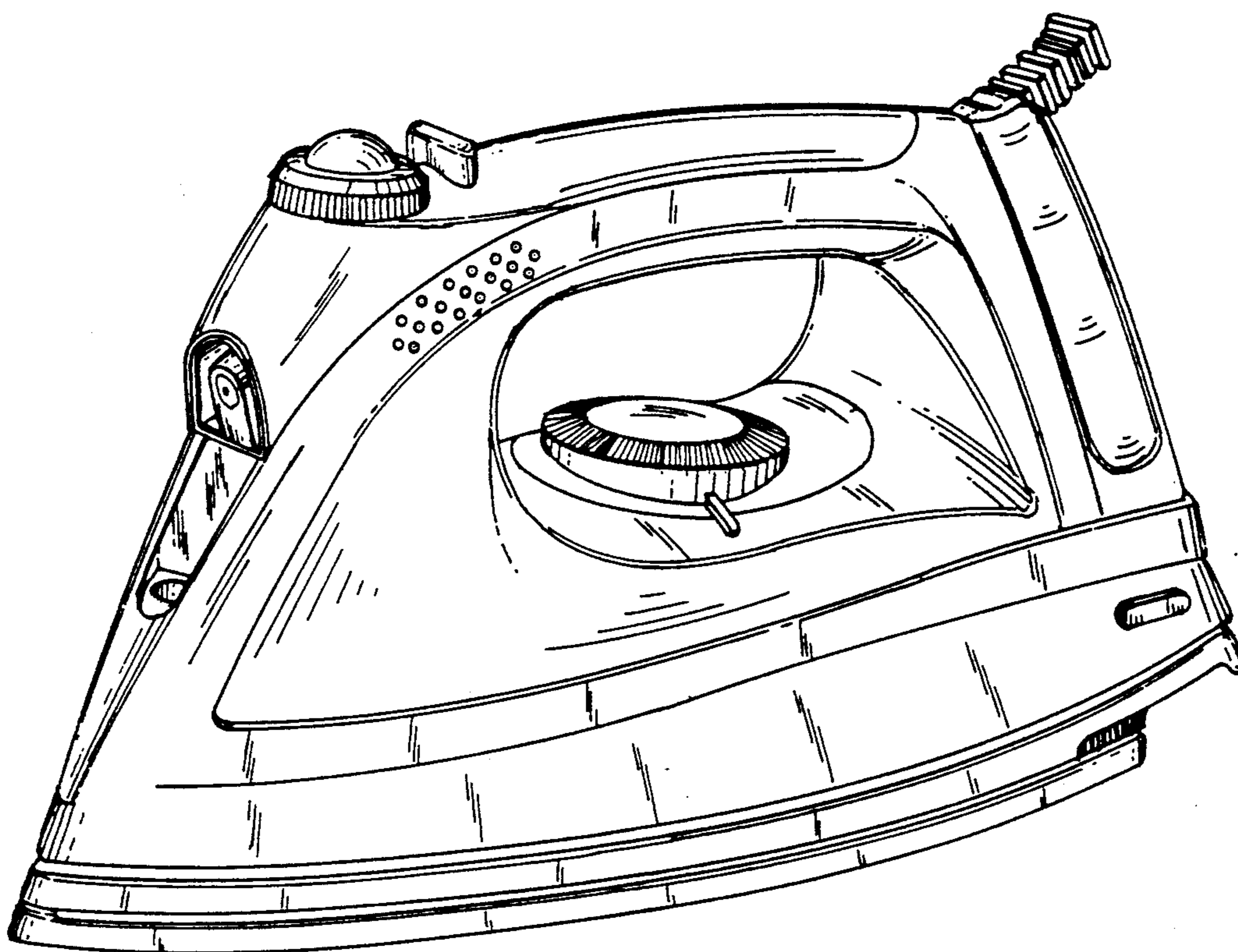


FIG. 2

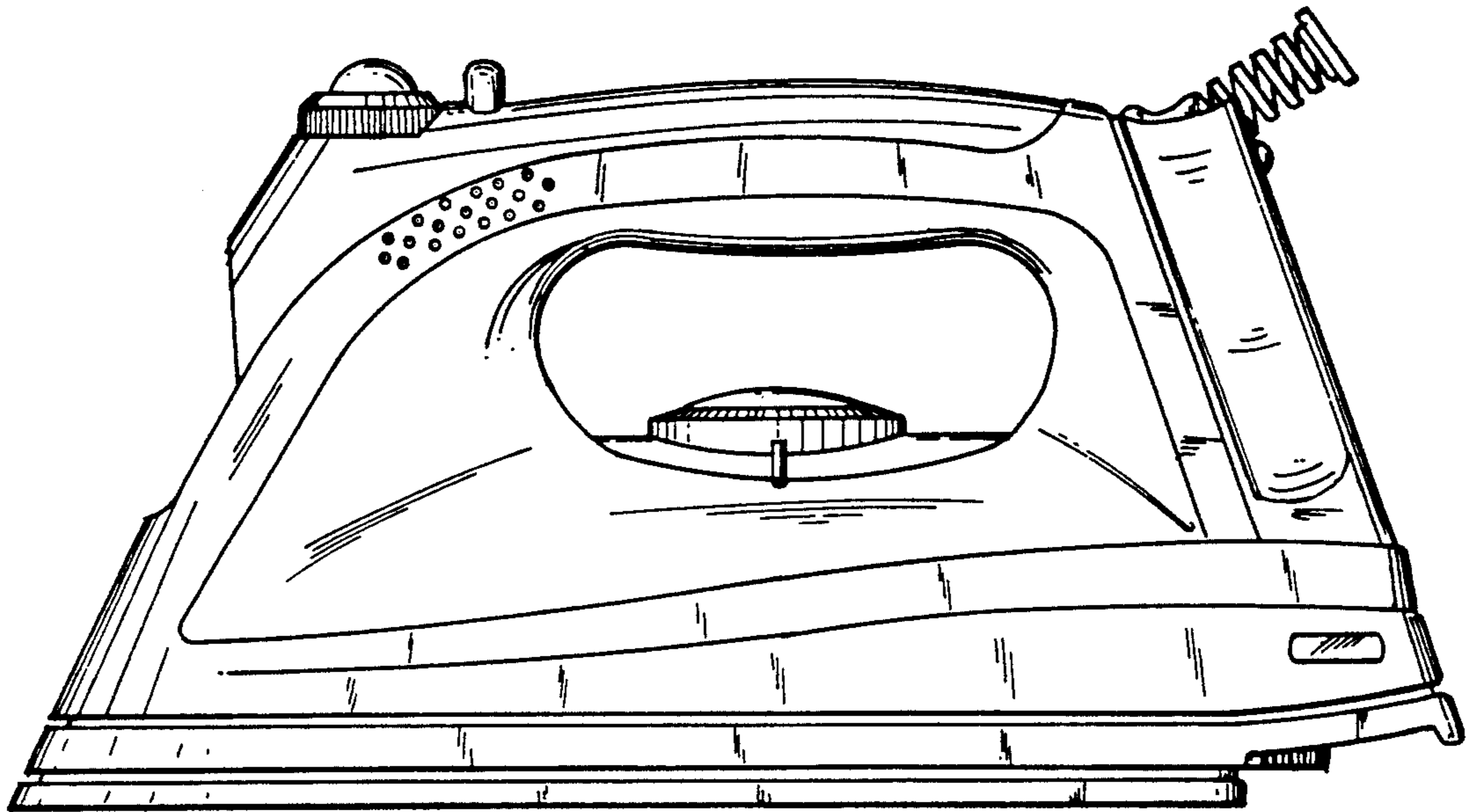
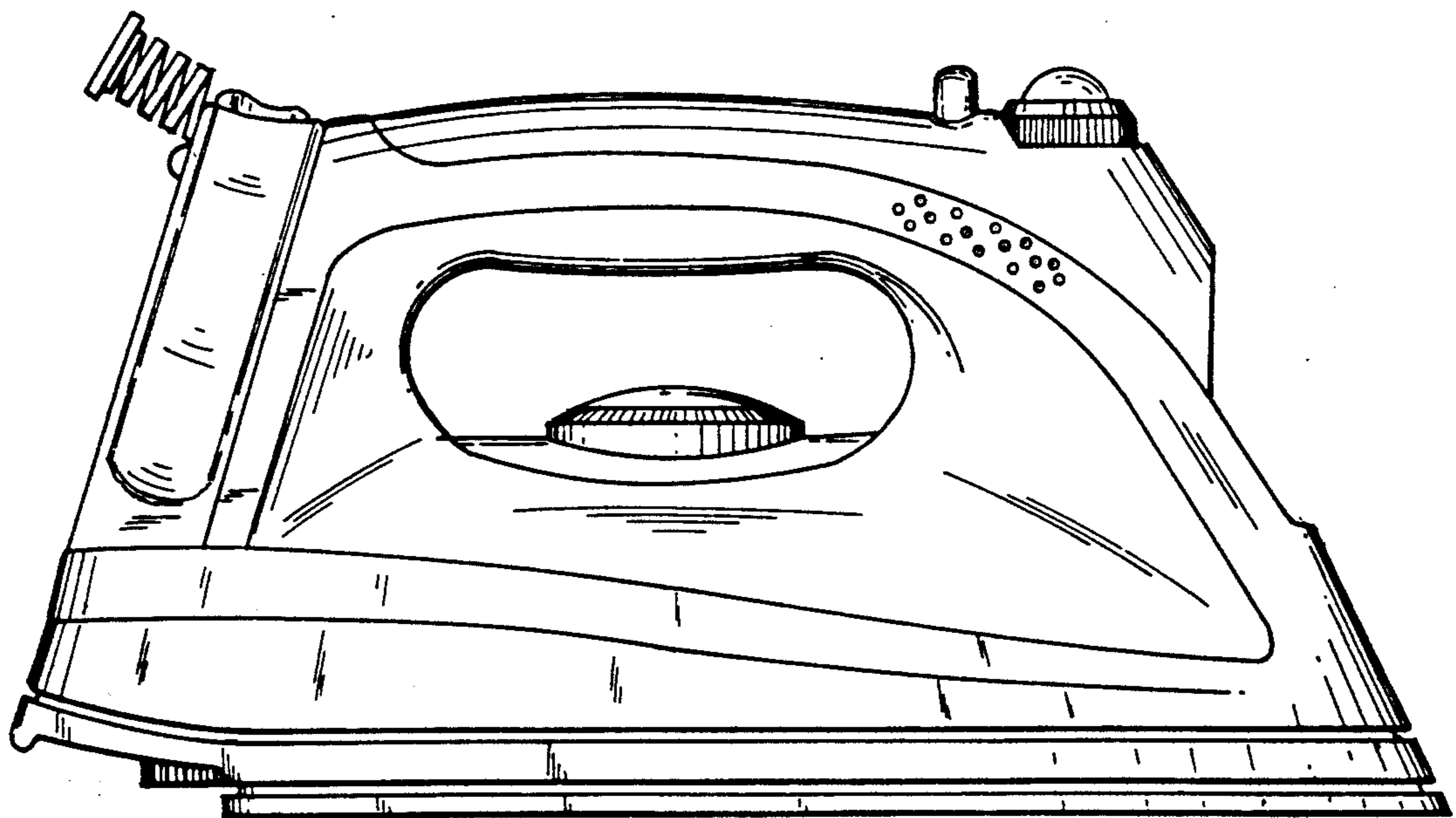


FIG. 3



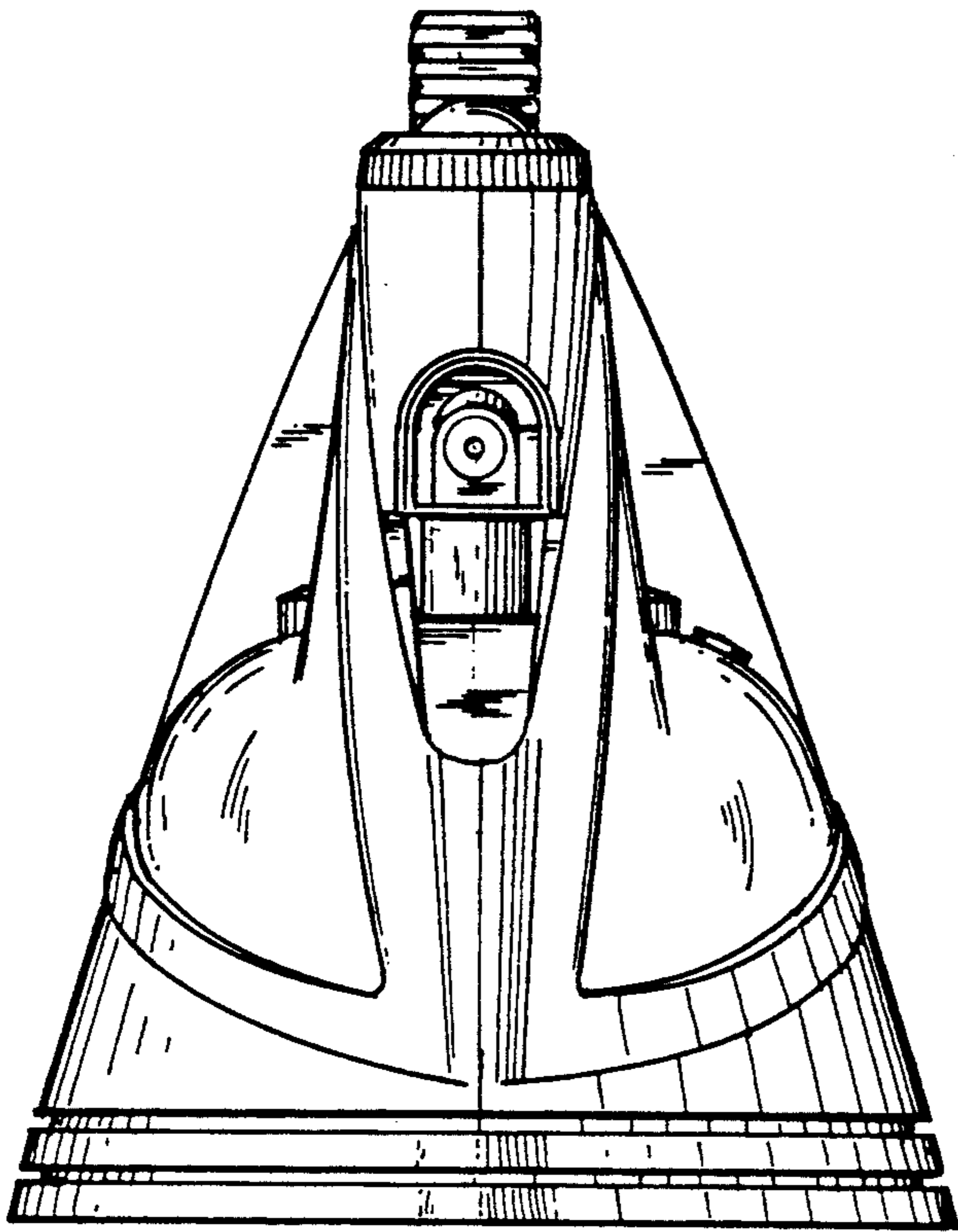


FIG. 4

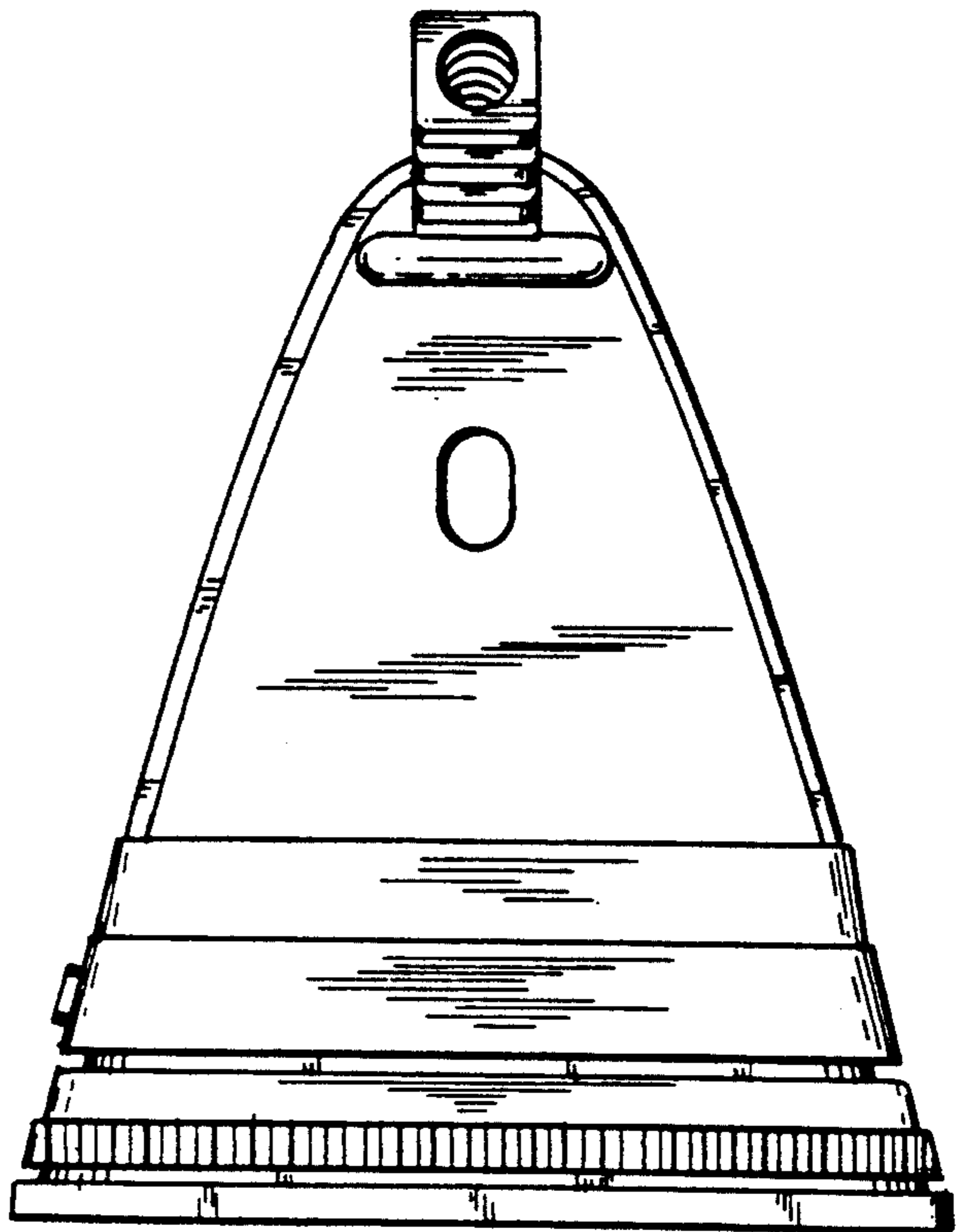


FIG. 5

FIG. 6

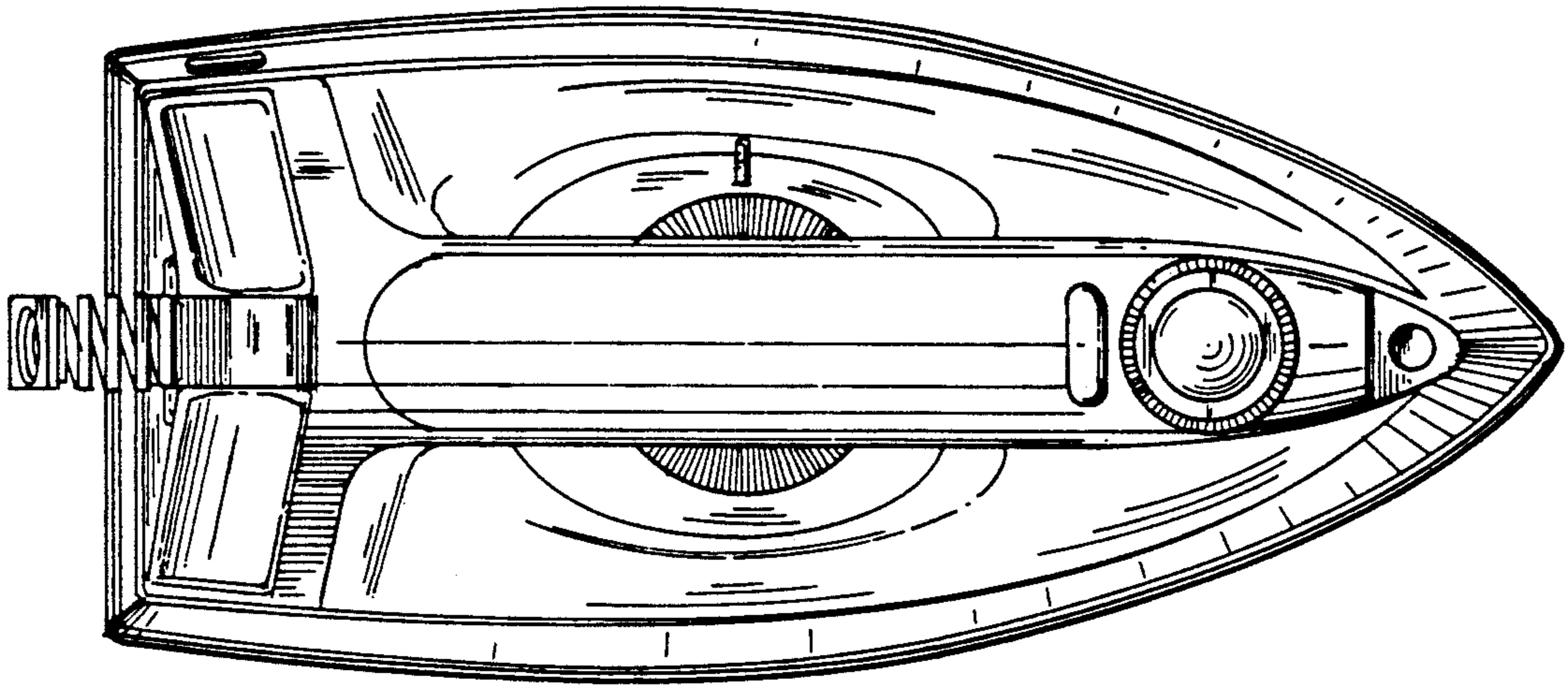


FIG. 7

