



US00D340326S

United States Patent [19]

[11] Patent Number: **Des. 340,326**

Genovese

[45] Date of Patent: **** Oct. 12, 1993**

[54] **CARPET DRYER**

[75] Inventor: **Vincent P. Genovese, Fort Worth, Tex.**

[73] Assignee: **Southwest Manufacturers & Distributors, Inc., Forth Worth, Tex.**

[**] Term: **14 Years**

[21] Appl. No.: **736,757**

[22] Filed: **Jul. 26, 1991**

[52] U.S. Cl. **D32/15**

[58] Field of Search **D32/15, 17, 21, 25, D32/32; 15/316.1-318.1, 344, 405, 415.1; 239/DIG. 13, DIG. 19, DIG. 21, DIG. 22, 589, 597, 598, 599; D23/213**

[56] **References Cited**

U.S. PATENT DOCUMENTS

D. 263,547	3/1982	Carsello	D32/15
D. 282,396	1/1986	Weaver	D23/162
D. 299,074	12/1988	Tuggle et al.	D32/15
D. 299,570	1/1989	Kiyooka et al.	D32/15
D. 299,571	1/1989	Kiyooka et al.	D32/15
D. 304,510	11/1989	Baker et al.	D32/15
D. 307,655	5/1990	Hinklin et al.	D32/15

3,286,368	11/1966	Thomas	34/151
3,362,087	1/1968	Brock	34/158
3,641,681	2/1972	Brock	34/23
3,999,244	12/1976	Brickley	15/142
4,261,759	4/1981	Cawley	134/6
4,799,287	1/1989	Belanger et al.	15/405

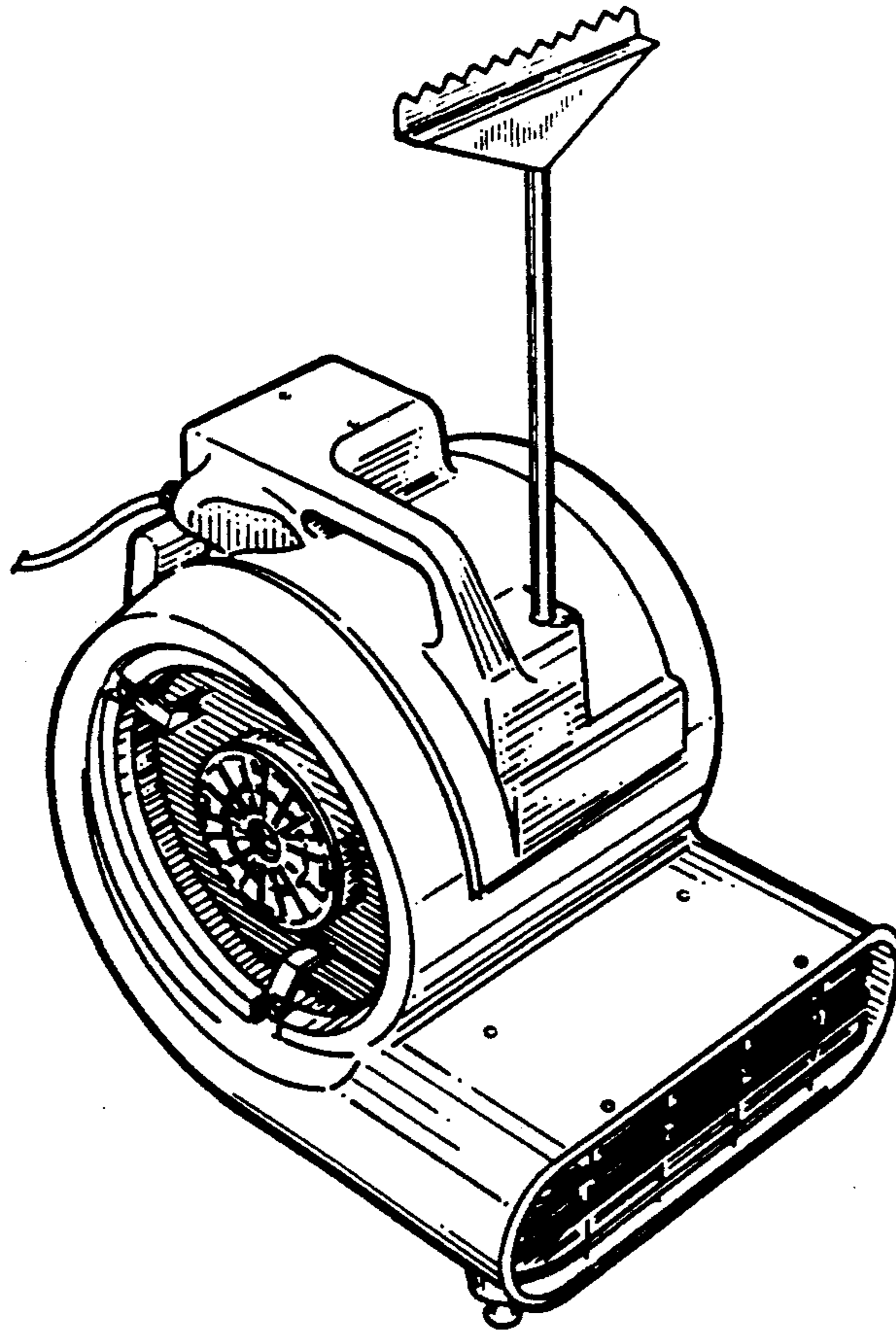
Primary Examiner—Ruth McInroy
Attorney, Agent, or Firm—Charles D. Gunter, Jr.

[57] **CLAIM**

The ornamental design for a carpet dryer, as shown and described.

DESCRIPTION

FIG. 1 is a front perspective view of a carpet dryer showing my new design;
FIG. 2 is a rear perspective view thereof;
FIG. 3 is a another front perspective view thereof;
FIG. 4 is a front elevational view thereof;
FIG. 5 is a right side elevational view thereof;
FIG. 6 is a left side elevational view thereof;
FIG. 7 is a top plan view thereof;
FIG. 8 is a bottom plan view thereof; and,
FIG. 9 is a rear elevational view thereof.
The electric cord shown broken away in FIGS. 1, 2, 6, 7 and 9 is understood to represent indeterminate length.



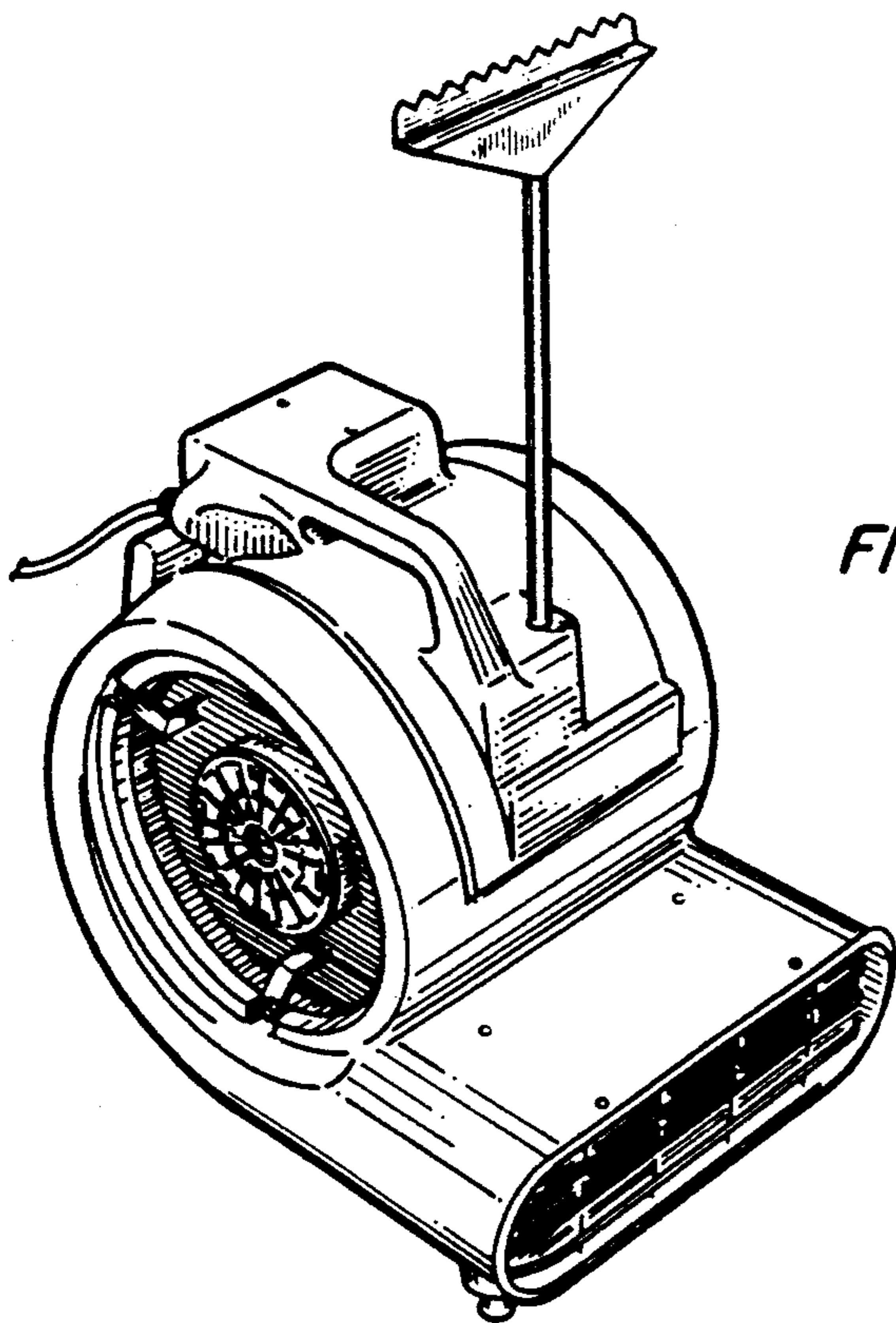


FIG. 1

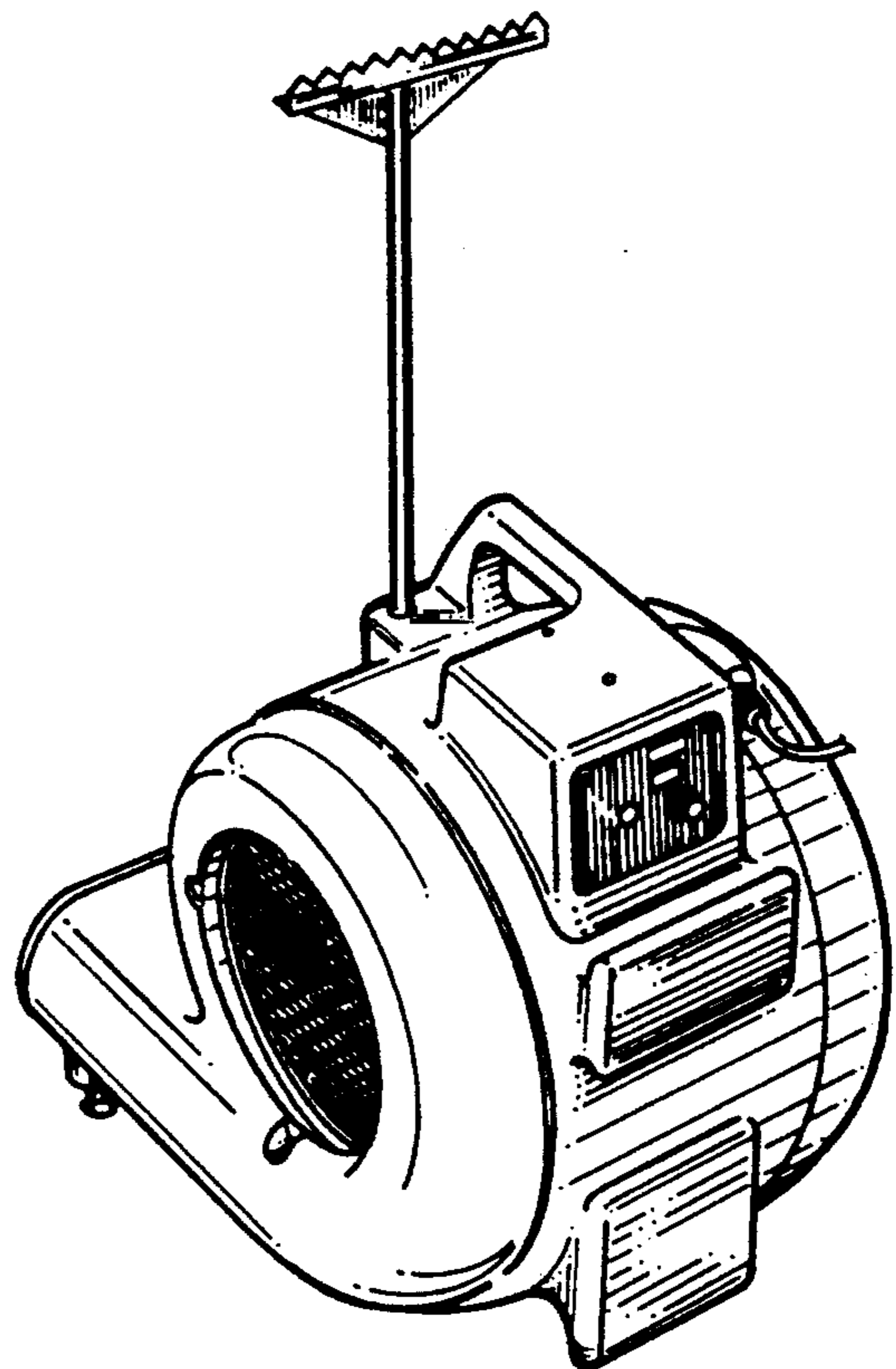


FIG. 2

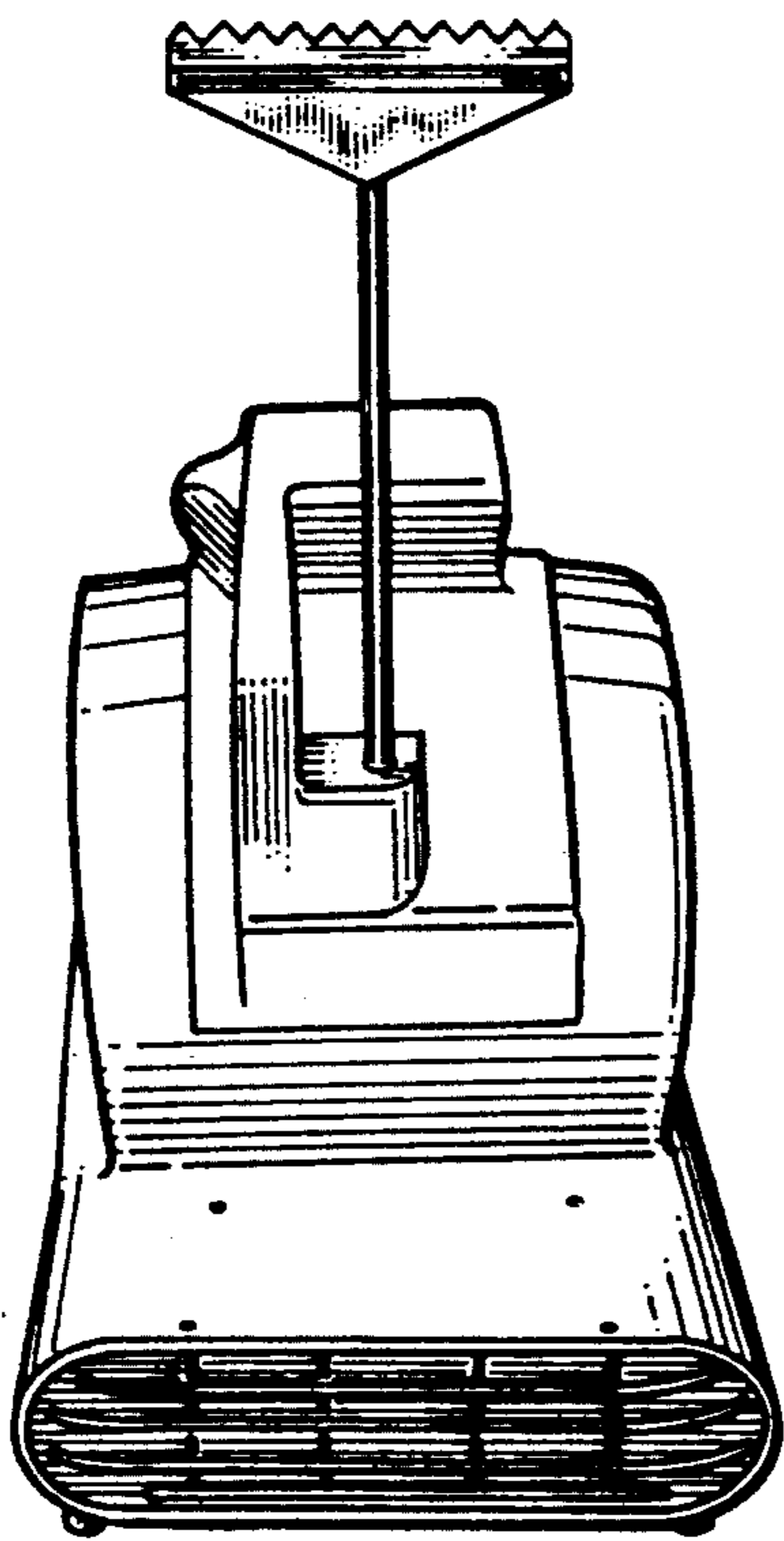


FIG. 3

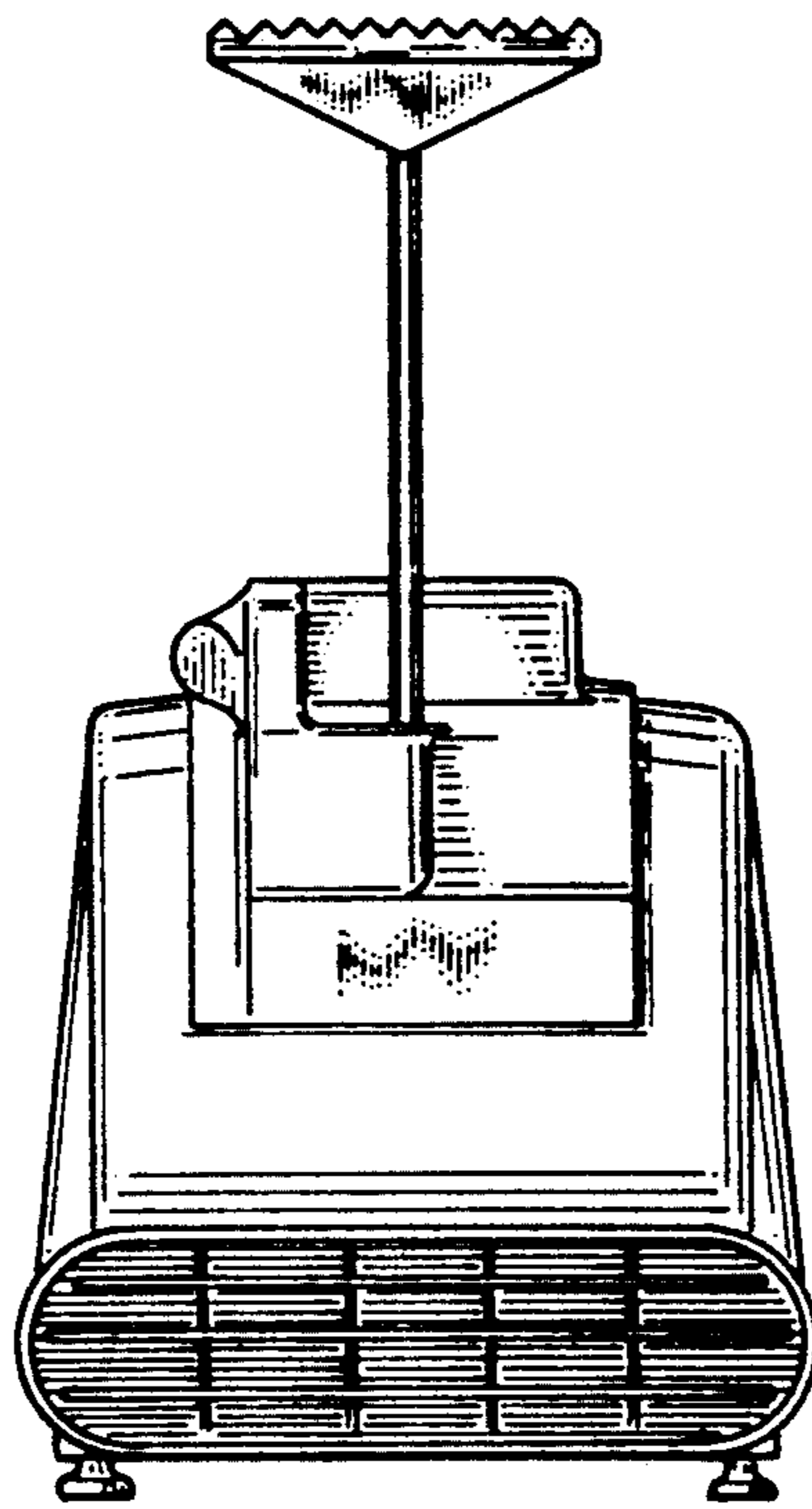


FIG. 4

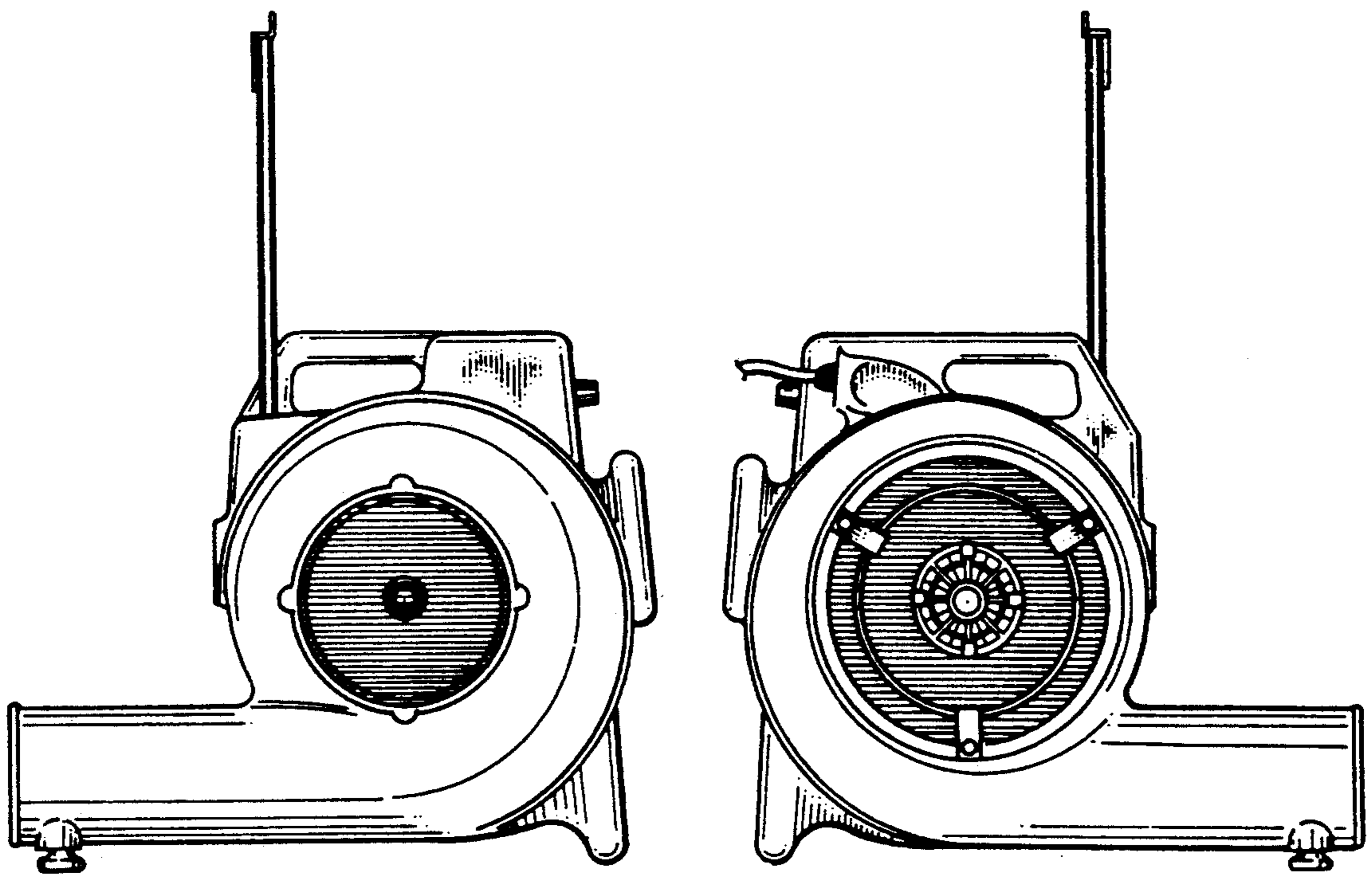


FIG. 5

FIG. 6

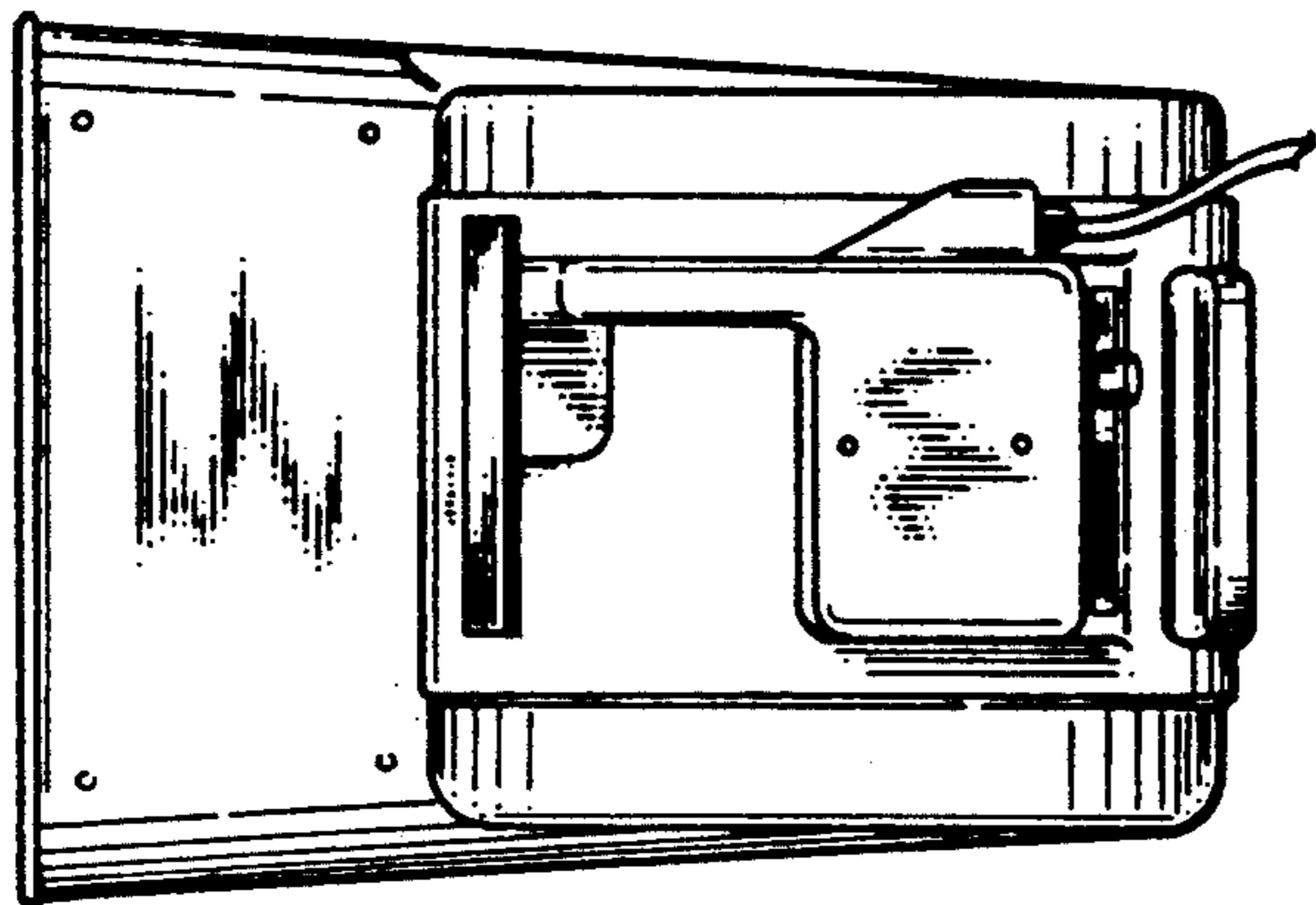


FIG. 7

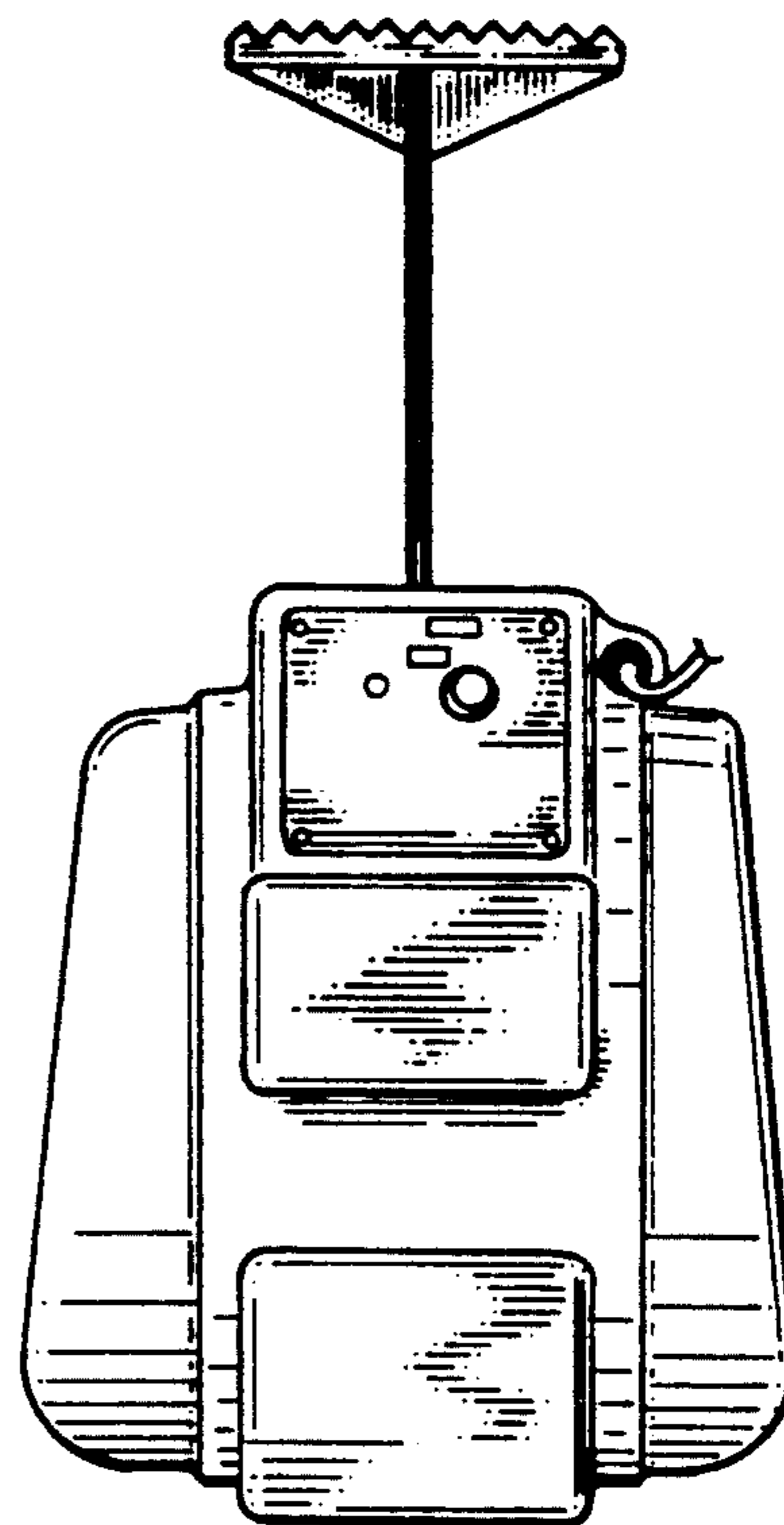


FIG. 9

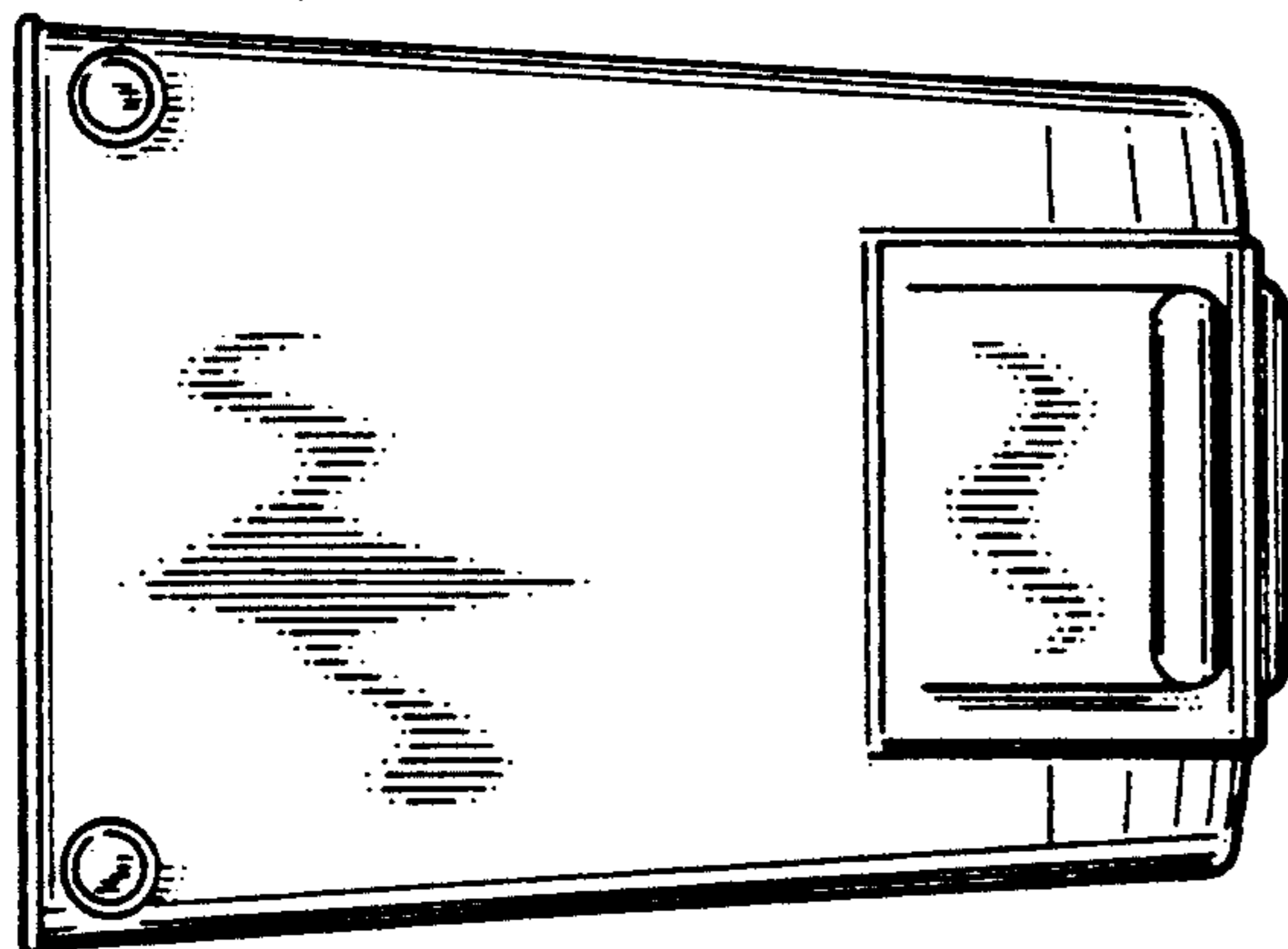


FIG. 8