



US00D340316S

# United States Patent [19]

[11] Patent Number: **Des. 340,316**

**Zdrok**

[45] Date of Patent: **\*\* Oct. 12, 1993**

[54] **TEST PROBE FOR FACEPIECE RESPIRATORS**

[57] **CLAIM**

The ornamental design for a test probe for facepiece respirators, as shown and described.

[75] Inventor: **Joseph Z. Zdrok, Webster, Mass.**

**DESCRIPTION**

[73] Assignee: **Cabot Safety Corporation, Southbridge, Mass.**

FIG. 1 is a front perspective view of a first embodiment of a test probe for facepiece respirators showing my new design;

[\*\*] Term: **14 Years**

FIG. 2 is a rear perspective view of the test probe of FIG. 1;

[21] Appl. No.: **676,732**

FIG. 3 is a front side elevational view of the test probe of FIG. 1; with the rear side elevational view being identical to FIG. 3;

[22] Filed: **Mar. 28, 1991**

FIG. 4 is a right end view of the test probe of FIG. 1;

[52] U.S. Cl. .... **D29/7; D24/129**

FIG. 5 is a left end view of the test probe of FIG. 1;

[58] Field of Search ..... **D29/6, 7; 128/207.17, 128/207.18, 207.14, 202.13; D24/164, 129**

FIG. 6 is a front perspective view of a second embodiment of a test probe for a facepiece respirator showing my new design;

[56] **References Cited**

**U.S. PATENT DOCUMENTS**

4,658,814	4/1987	Anderson .....	128/207.17
4,867,154	9/1989	Potter et al. ....	128/207.17
5,146,913	9/1992	Khorsandian et al. ....	128/207.17

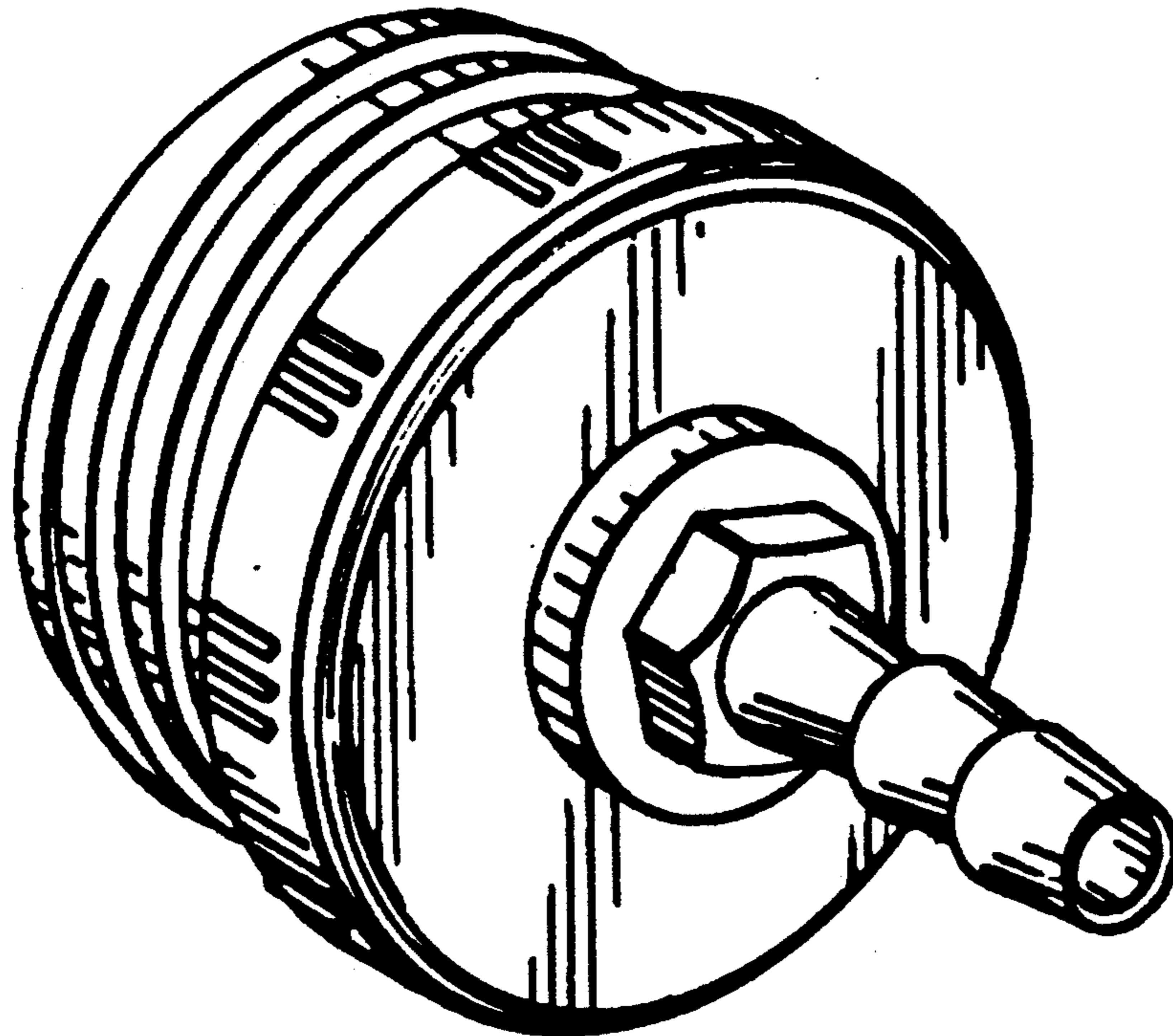
FIG. 7 is a rear perspective view of the test probe of FIG. 6;

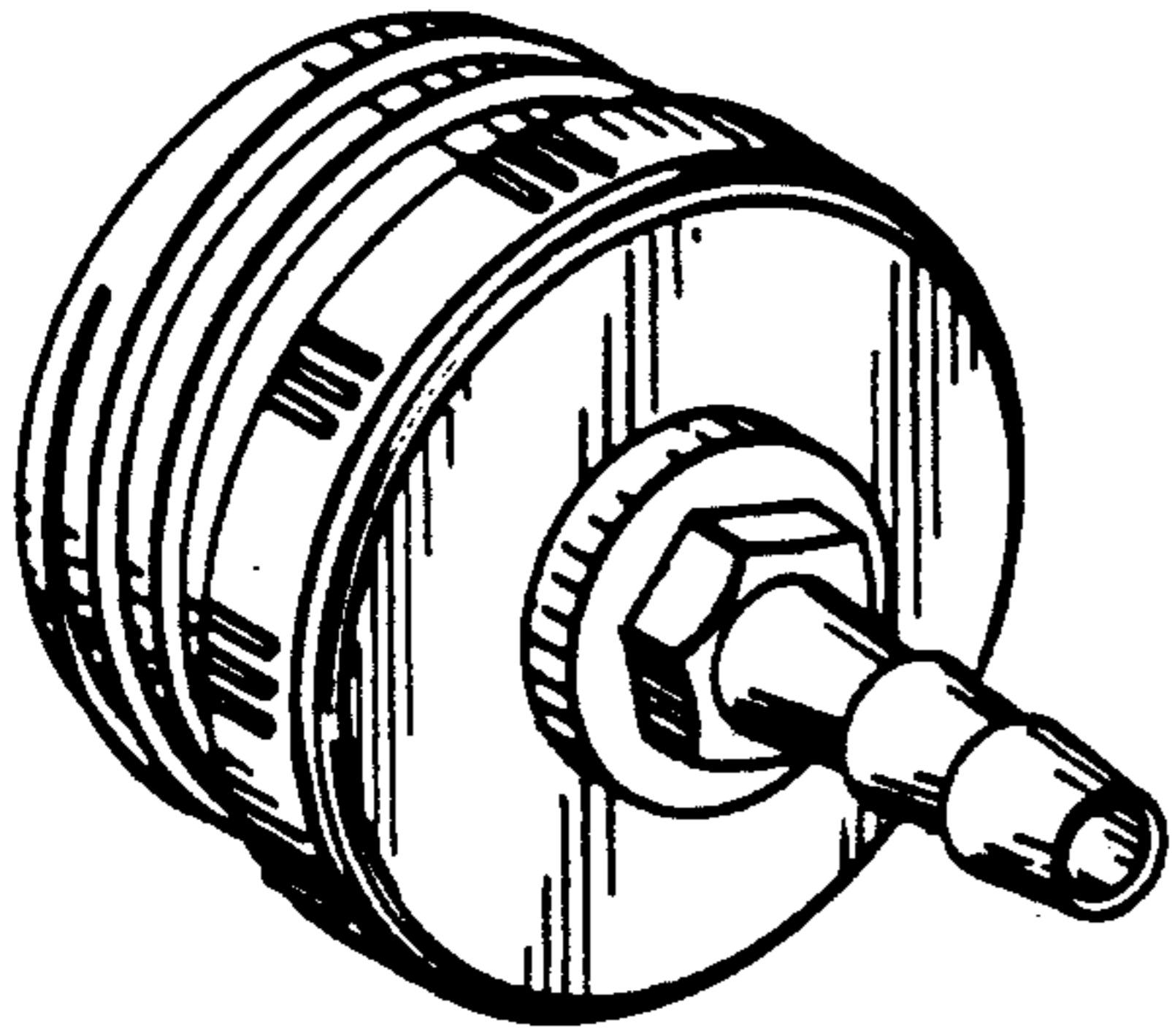
FIG. 8 is a front side elevational view of the test probe of FIG. 6 with the rear side elevational view being identical to FIG. 8;

FIG. 9 is a right end view of the test probe of FIG. 6; and,

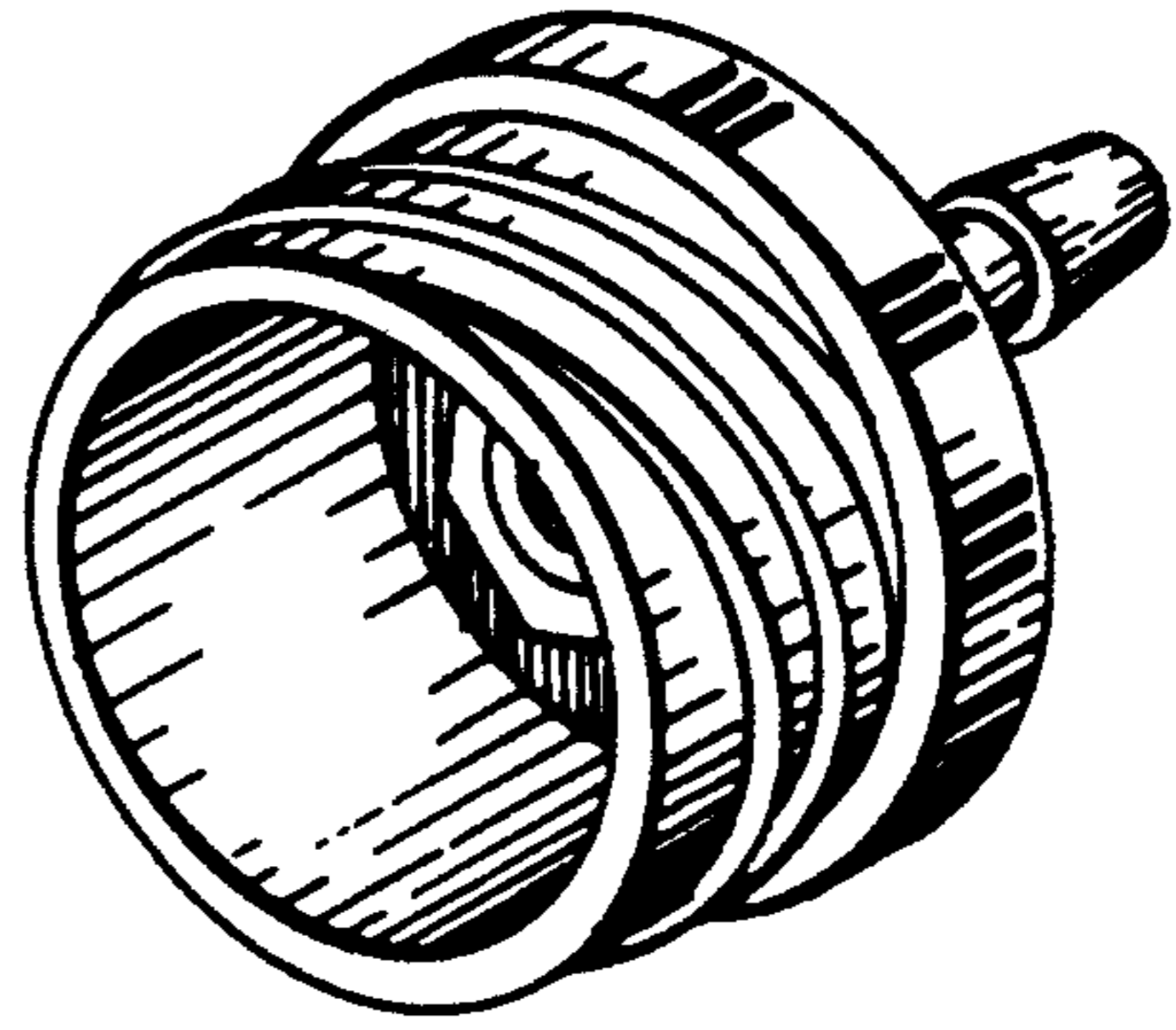
FIG. 10 is a left end view of the test probe of FIG. 6.

*Primary Examiner*—**Kay H. Chin**

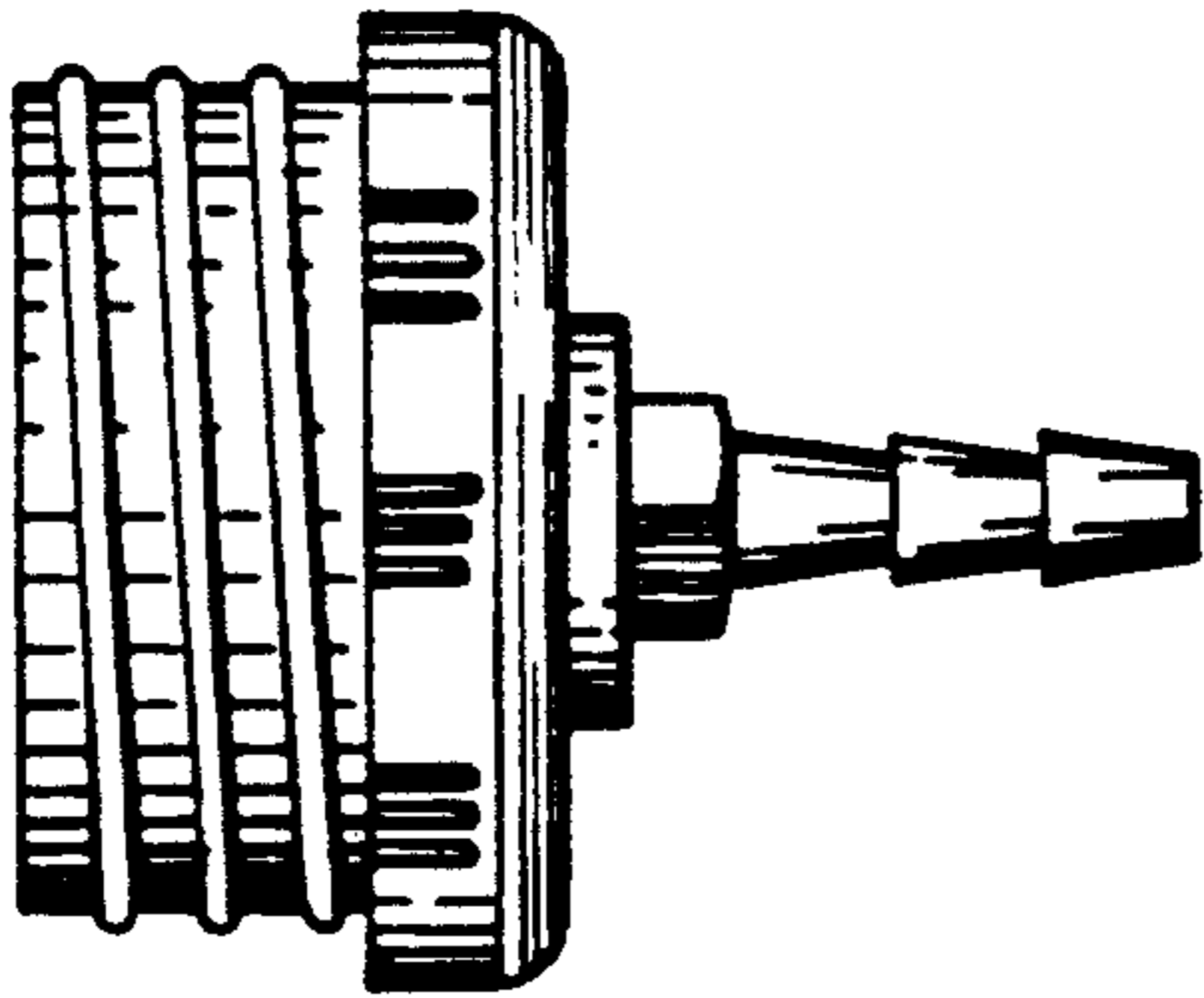




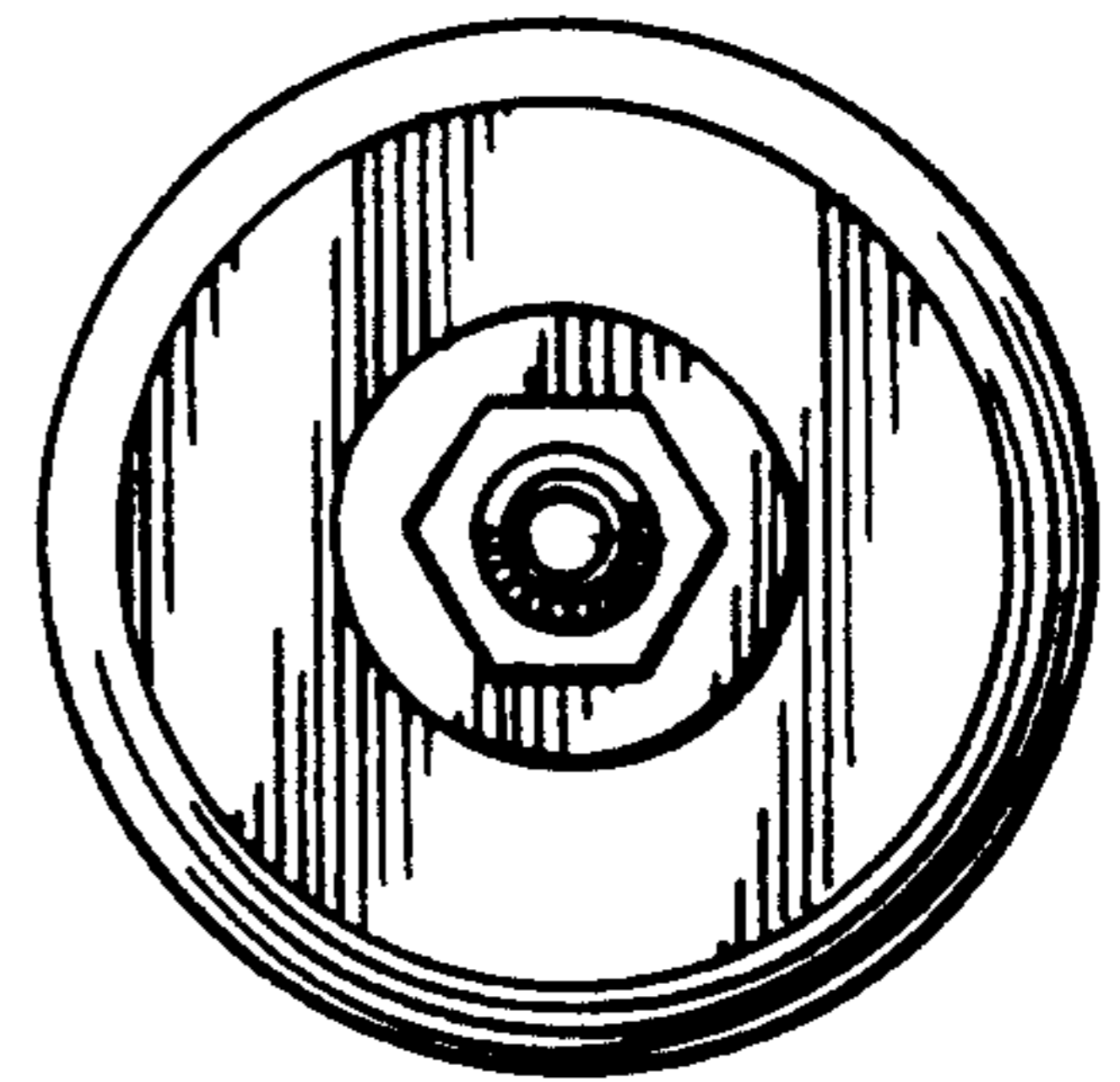
*Fig. 1*



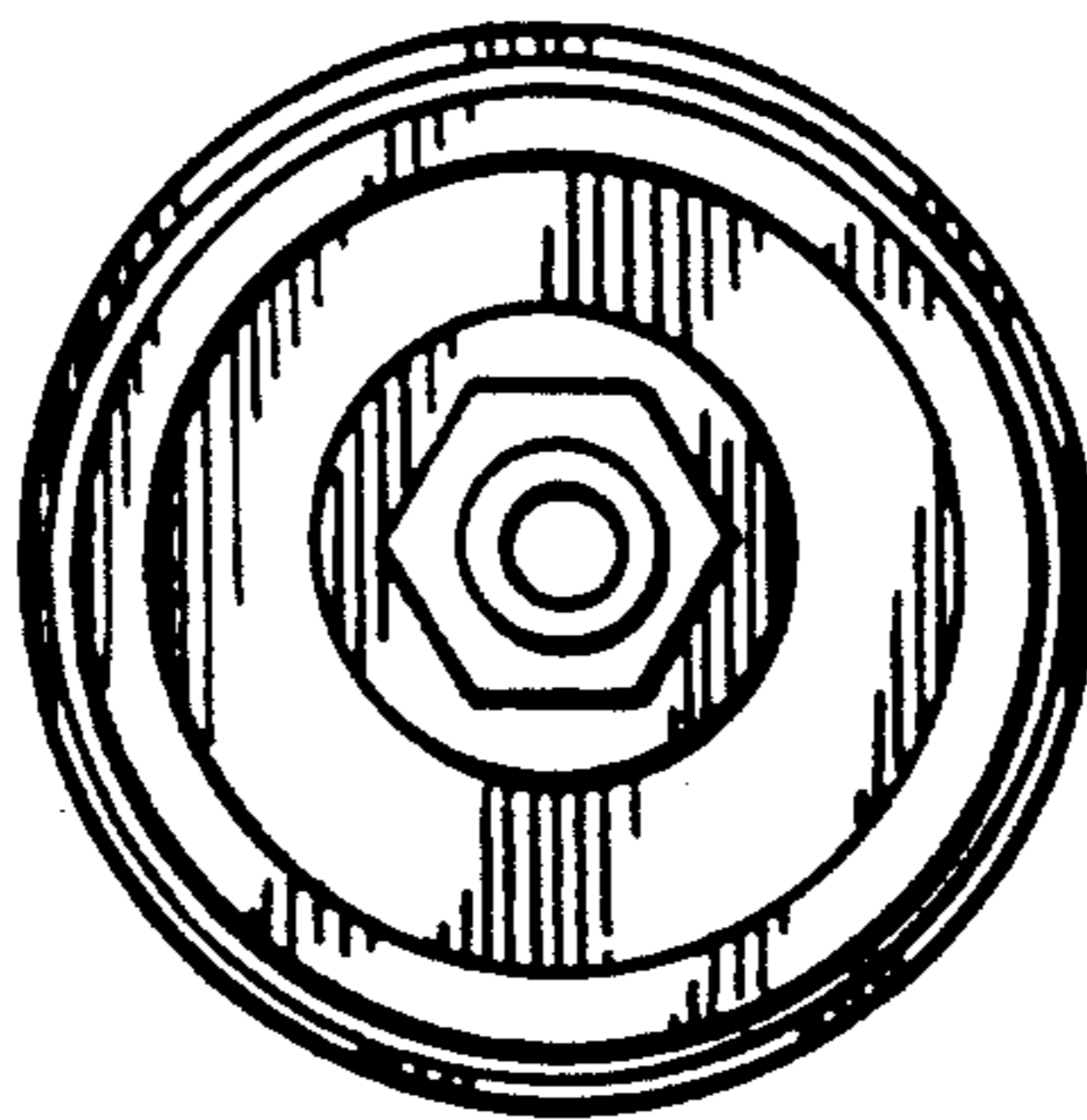
*Fig. 2*



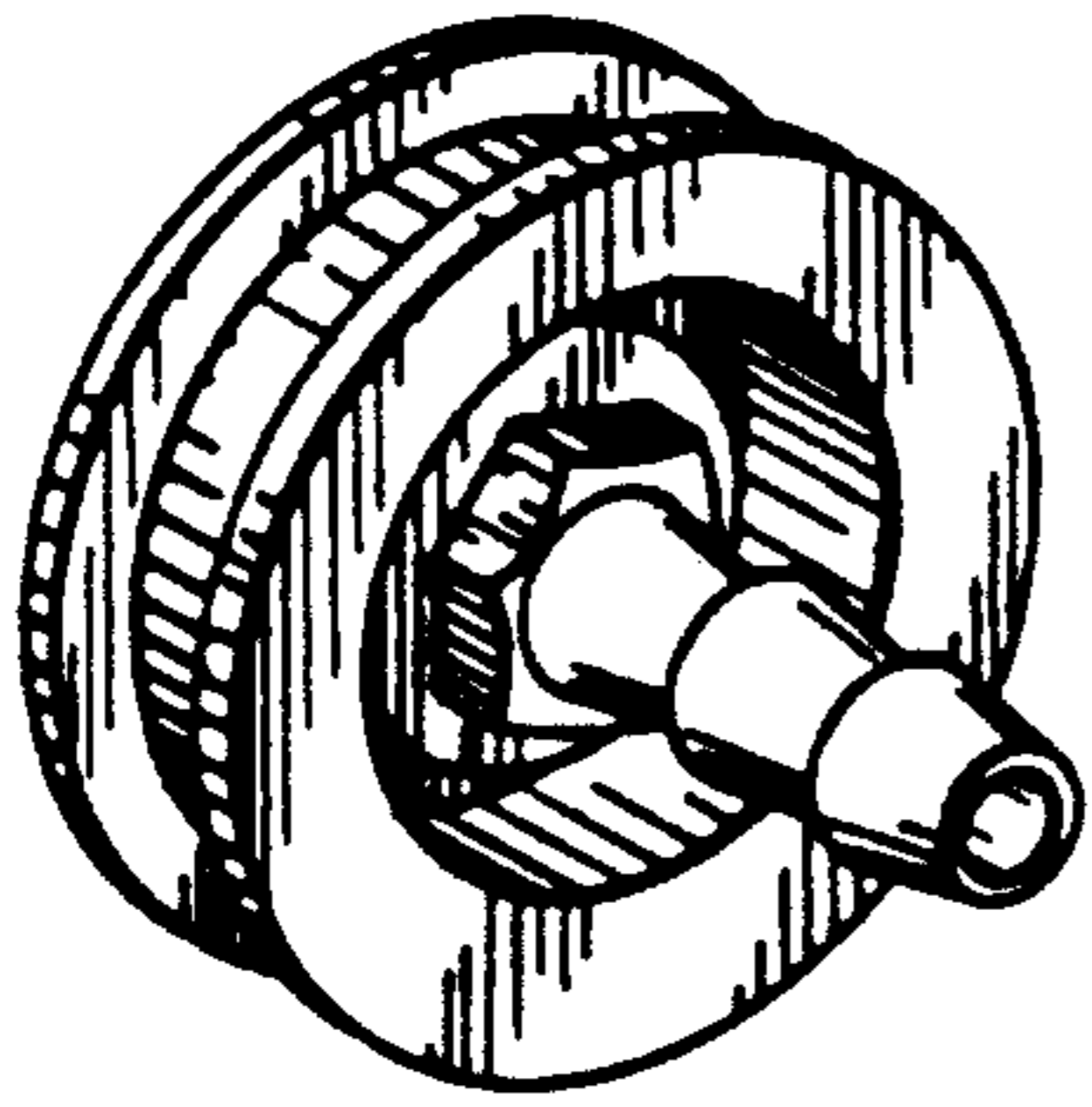
*Fig. 3*



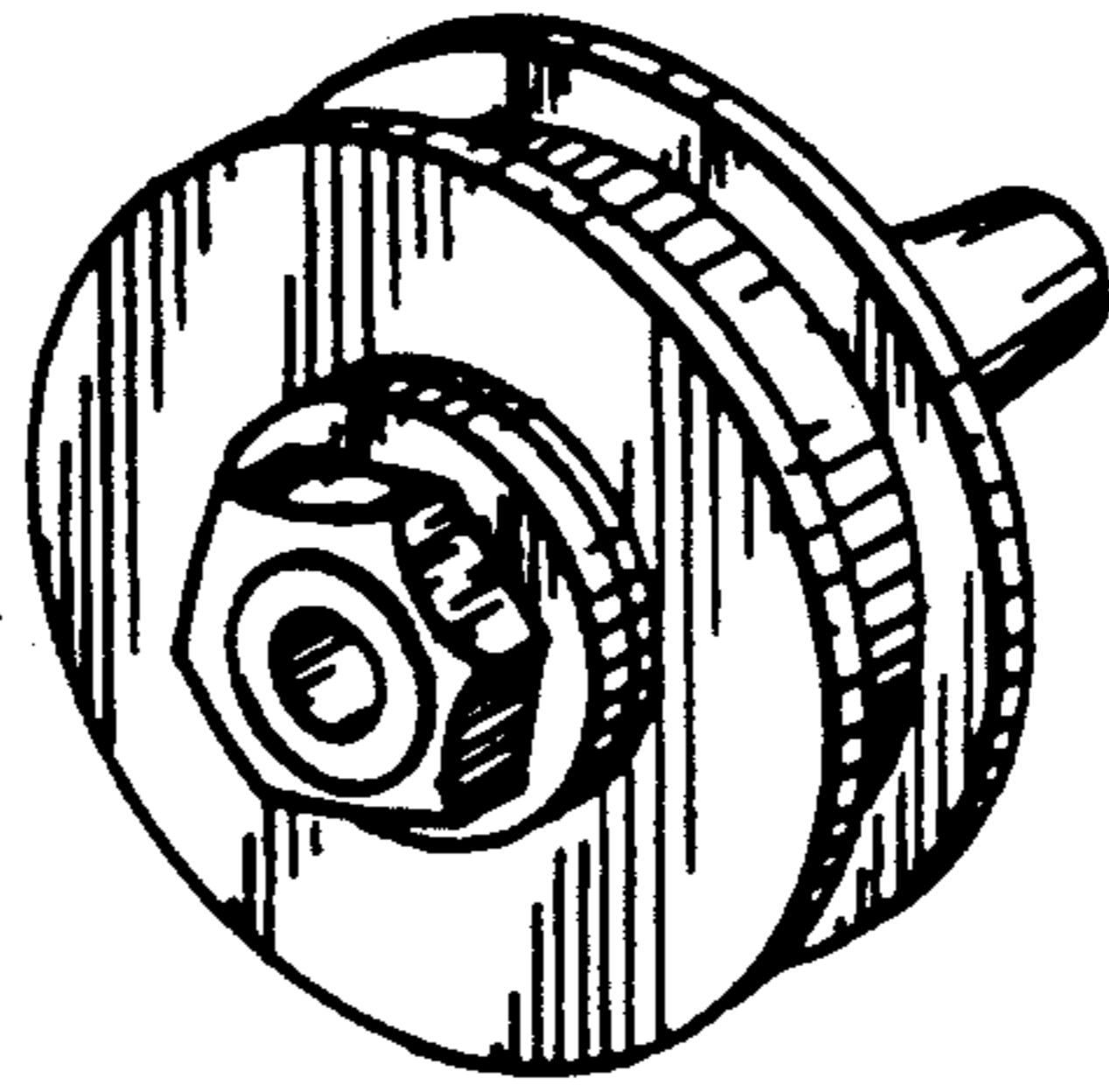
*Fig. 4*



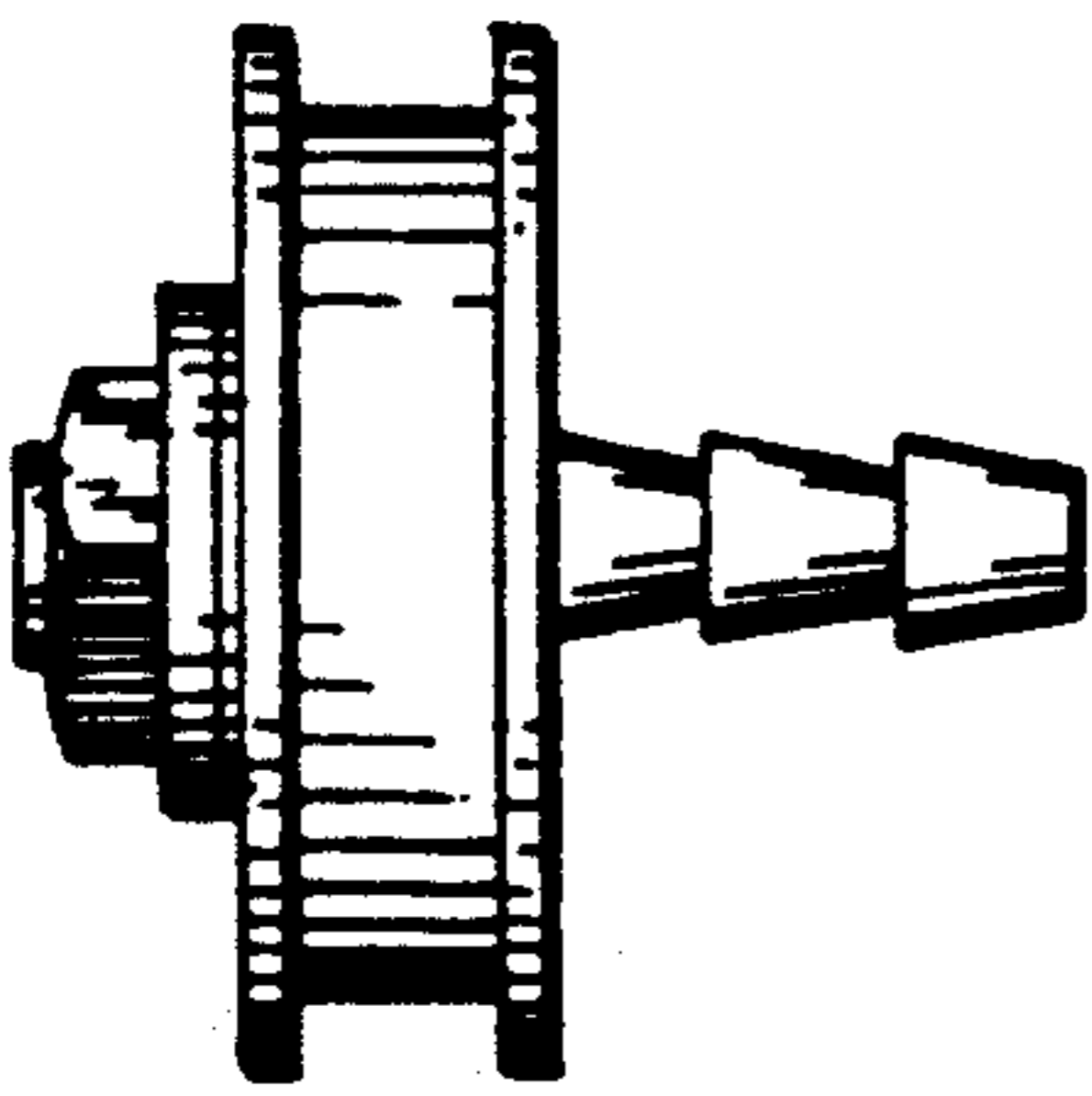
*Fig. 5*



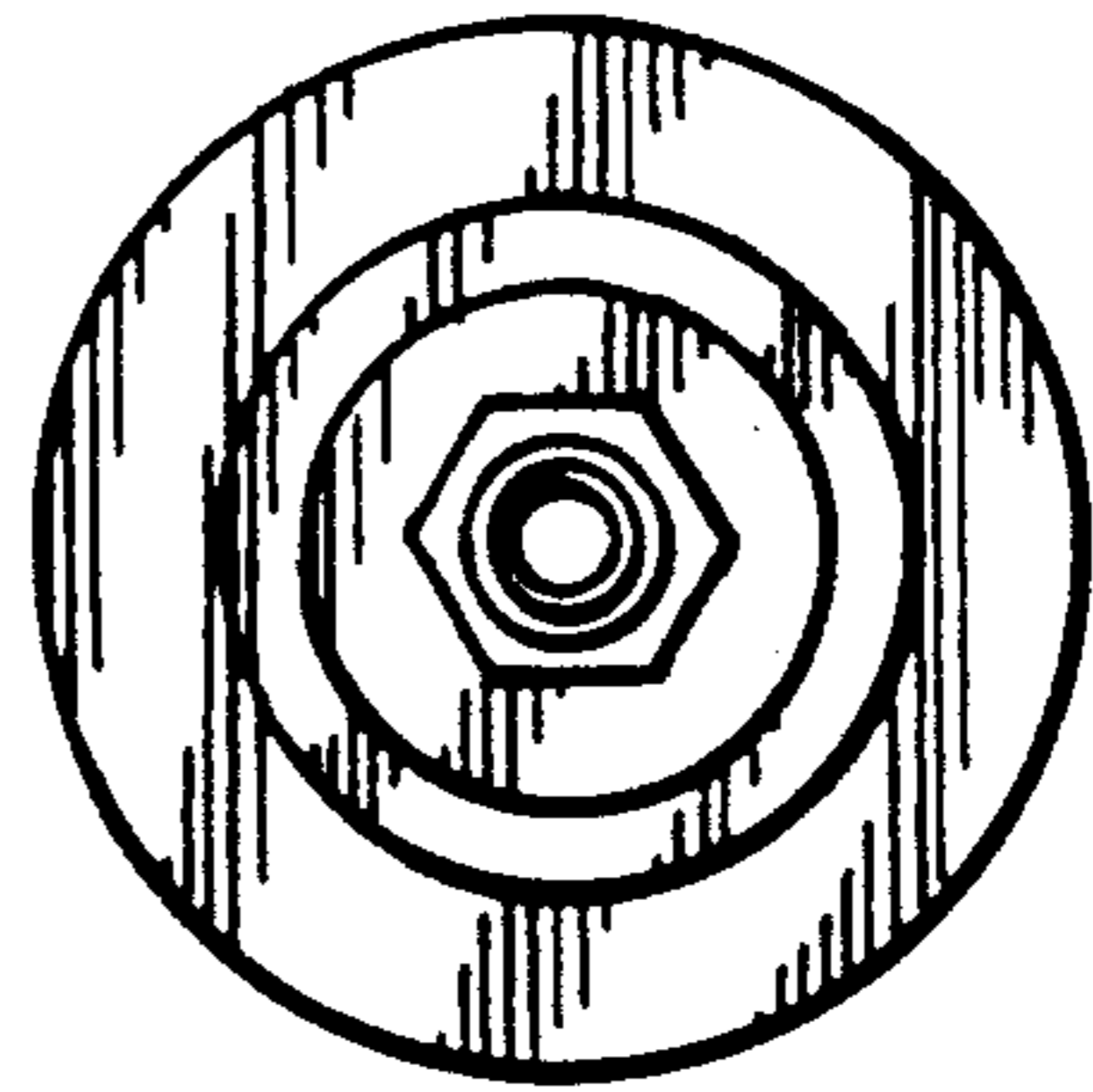
*Fig. 6*



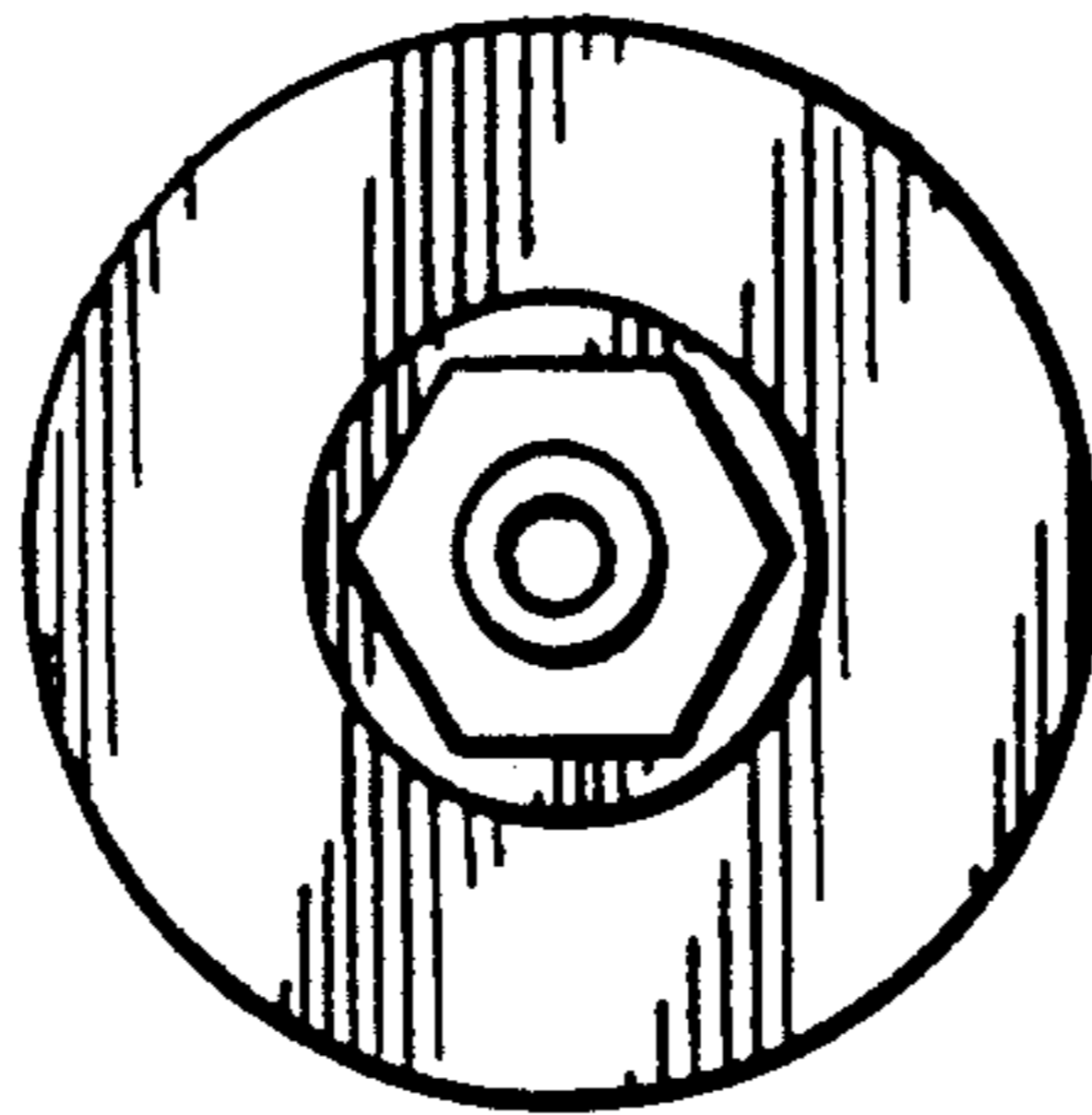
*Fig. 7*



*Fig. 8*



*Fig. 9*



*Fig. 10*