



US00D340309S

United States Patent [19]

[11] **Patent Number: Des. 340,309**

Porter

[45] **Date of Patent: ** Oct. 12, 1993**

[54] **TABLE LAMP**

OTHER PUBLICATIONS

[75] **Inventor: David H. Porter, Chagrin Falls, Ohio**

Home Lighting & Accessories, Jul. 1989, p. 80, Harris Lamps Torchier (right hand side).

[73] **Assignee: The L. D. Kichler Co., Cleveland, Ohio**

Primary Examiner—Susan J. Lucas
Attorney, Agent, or Firm—Watts, Hoffmann, Fisher & Hienke

[**] **Term: 14 Years**

[57] **CLAIM**

[21] **Appl. No.: 862,270**

The ornamental design for a table lamp, as shown and described.

[22] **Filed: Apr. 2, 1992**

[52] **U.S. Cl. D26/106**

DESCRIPTION

[58] **Field of Search D26/93, 102-112; 362/410-414; D6/495, 486**

FIG. 1 is a perspective view of a table lamp showing my new design;

[56] **References Cited**

U.S. PATENT DOCUMENTS

D. 112,457	12/1938	Bohme	D26/106
D. 172,462	6/1954	Borowitz	D26/106
D. 188,734	8/1960	Jacobs	D26/93
D. 200,172	1/1965	Beck	D26/106
4,775,922	10/1988	Engel	D26/93 X

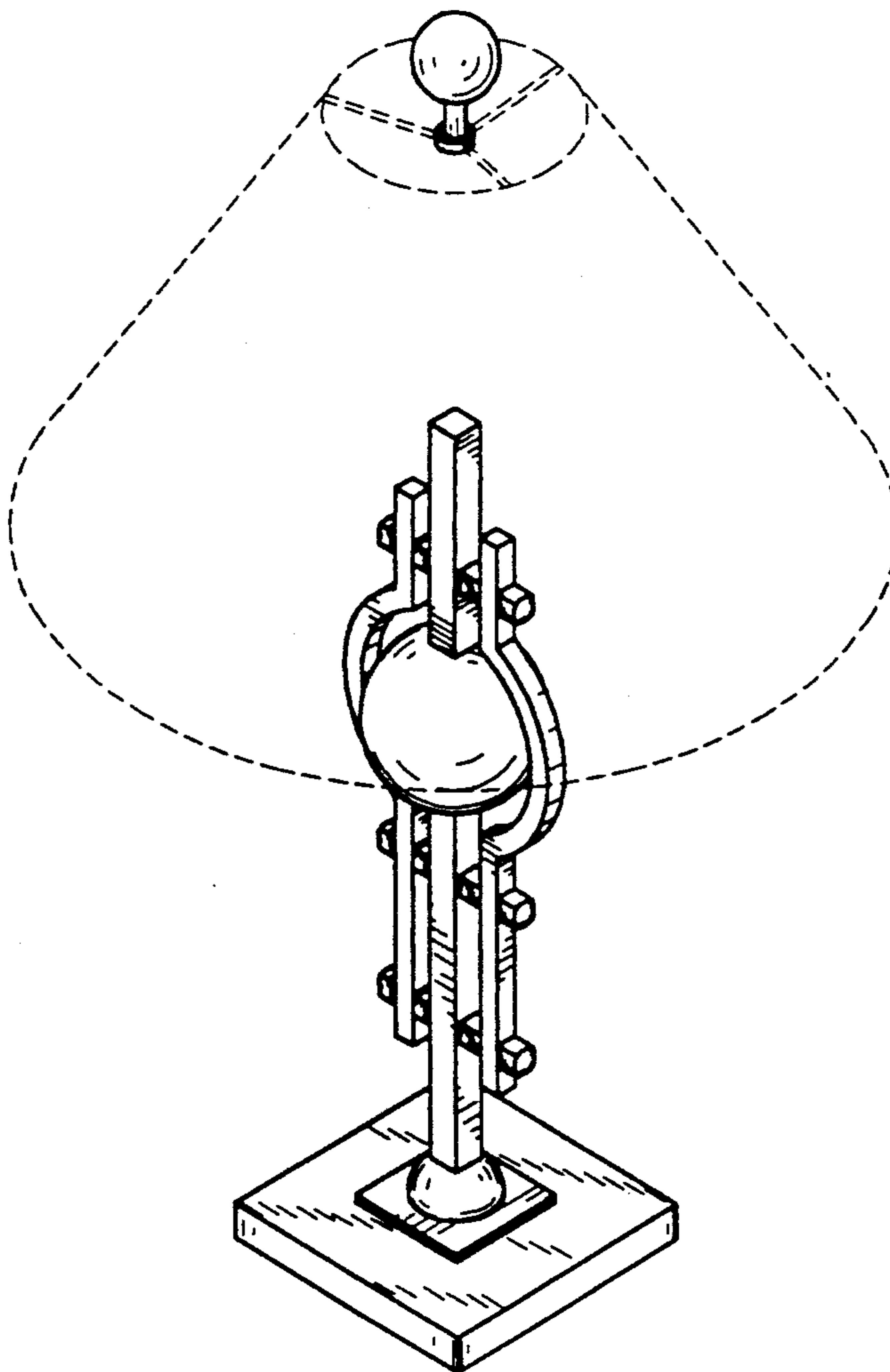
FIG. 2 is a front elevational view thereof, the rear elevational view being identical;

FIG. 3 is a right side elevational view thereof, the left side elevational view being identical;

FIG. 4 is a top plan view thereof; and,

FIG. 5 is a bottom plan view thereof.

The shade is shown in broken lines for illustrative purposes only and forms no part of the claimed design.



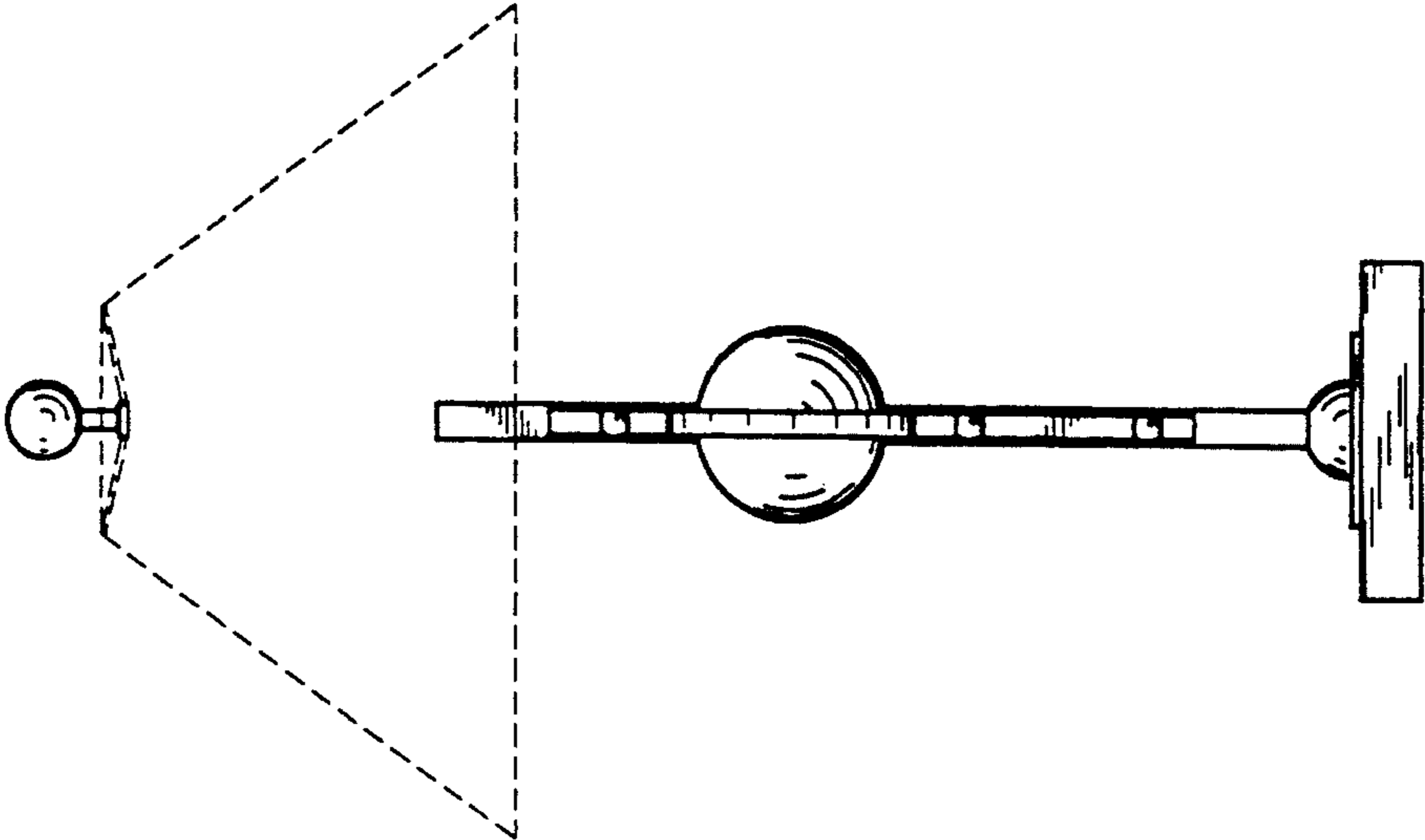


Fig.3

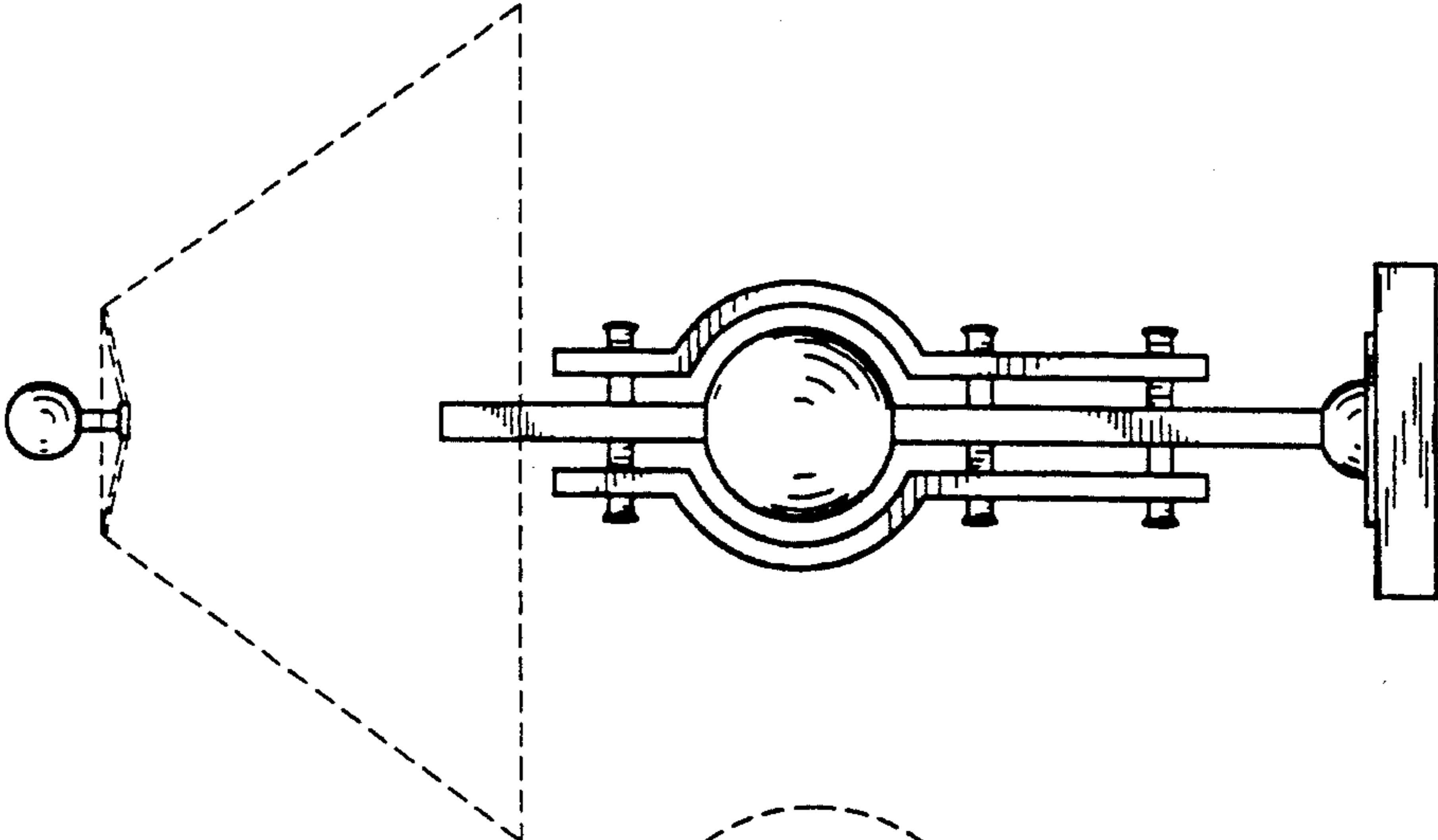


Fig.2

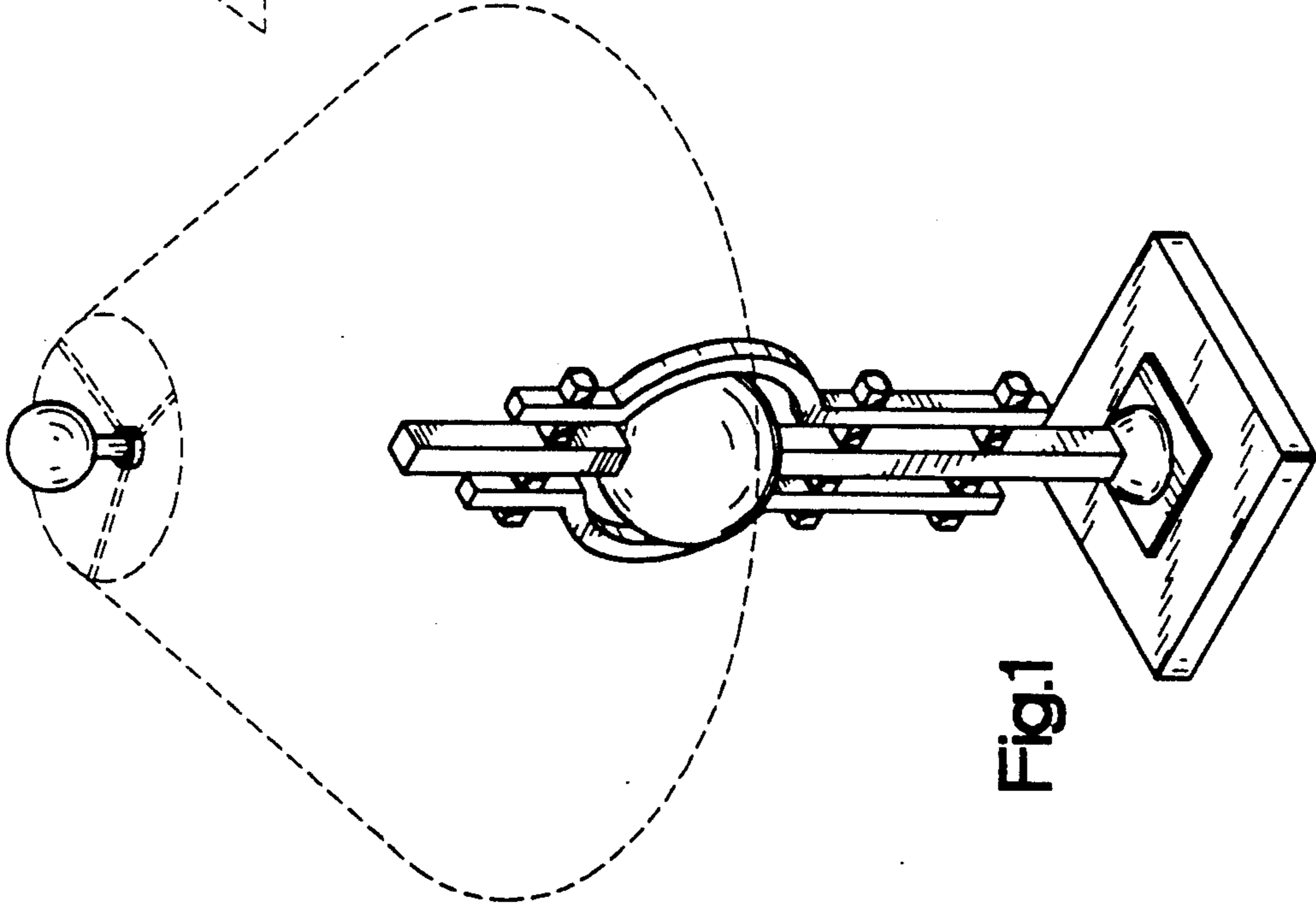


Fig.1

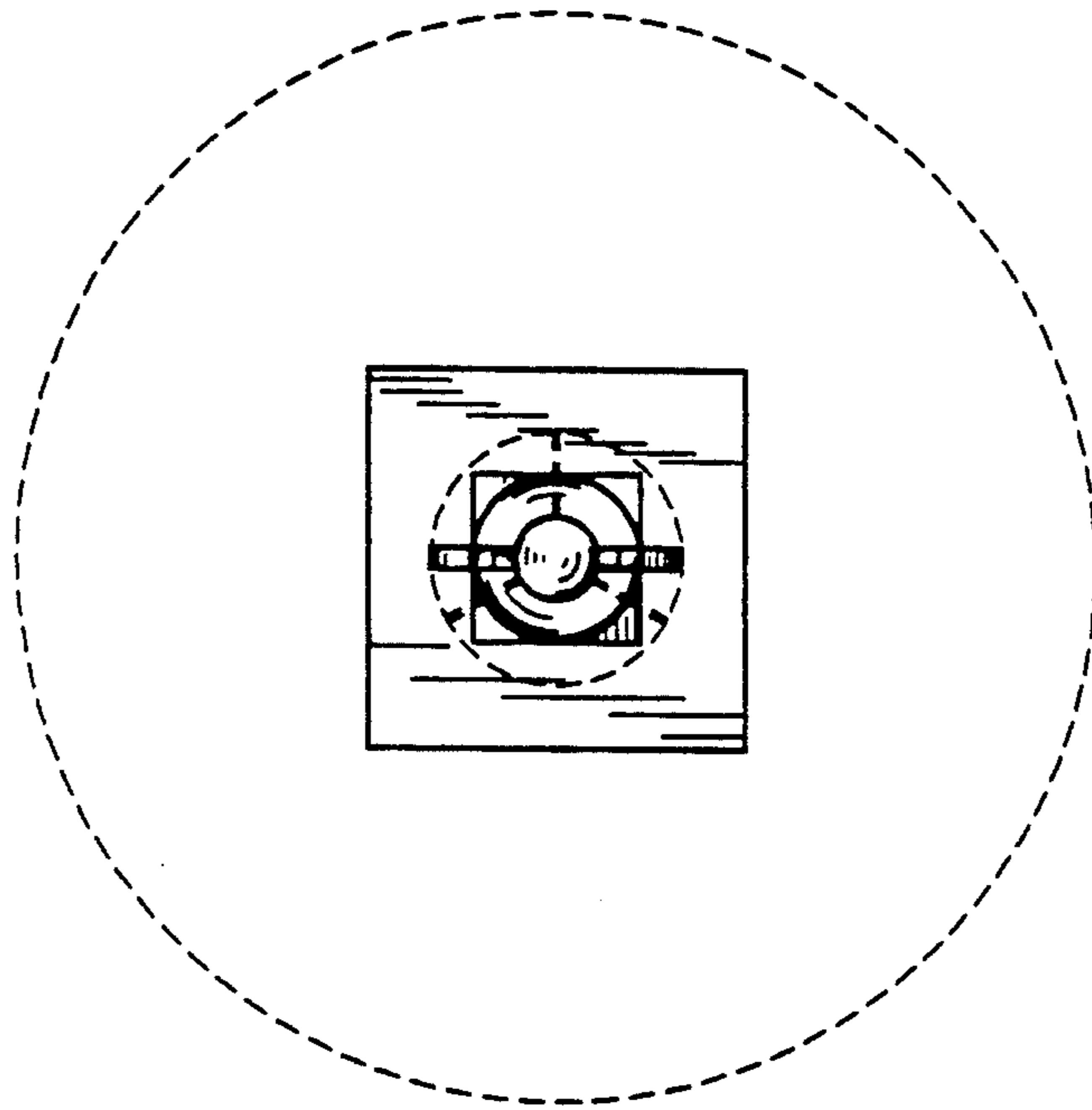


Fig.4

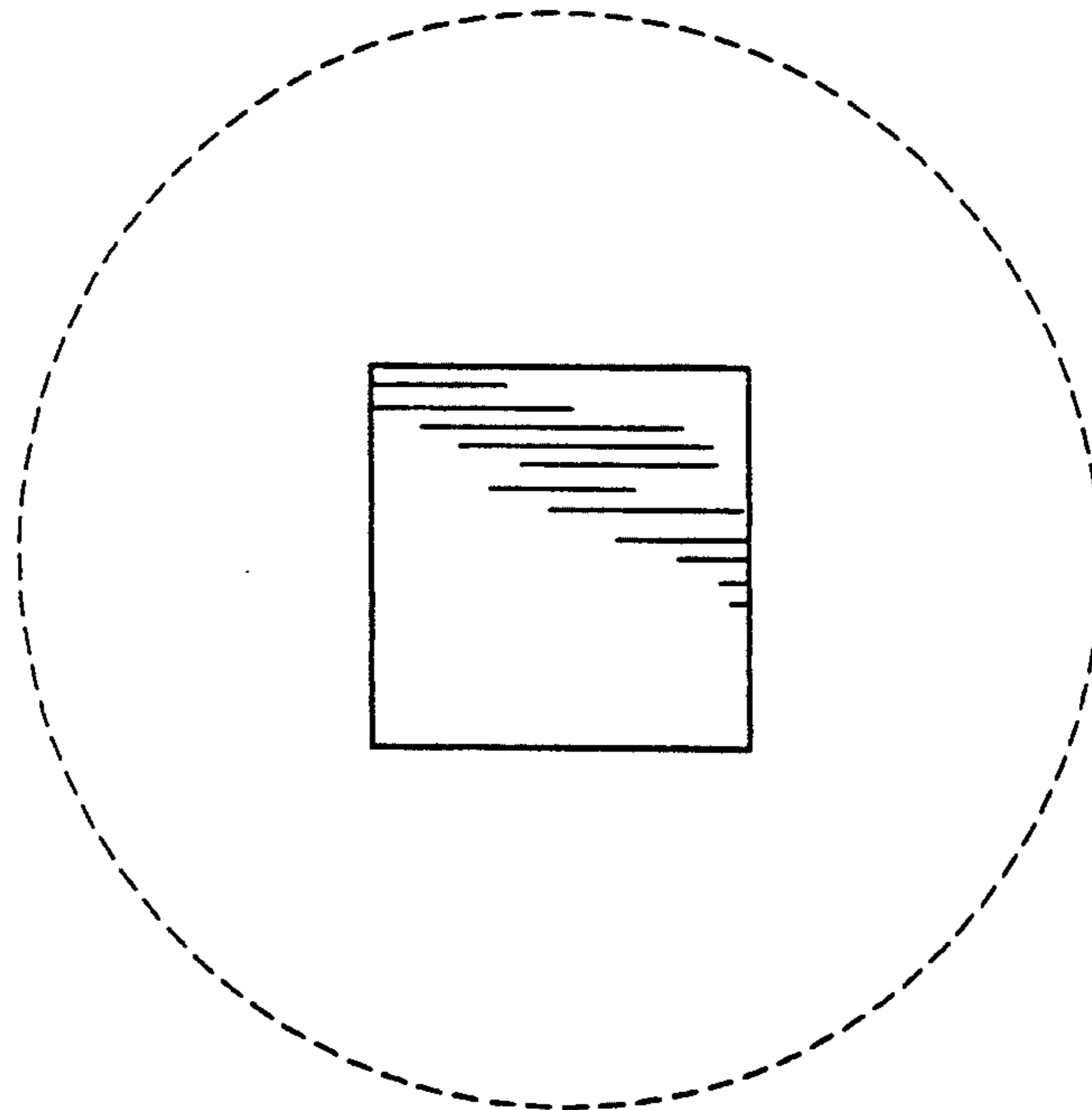


Fig.5