



US00D340305S

United States Patent [19]

[11] Patent Number: Des. 340,305

Hall et al.

[45] Date of Patent: ** Oct. 12, 1993

[54] OUTDOOR LIGHT FIXTURE

[75] Inventors: Milly S. Hall, Dallas, Tex.; Donald L. Rohrs, Overland Park, Kans.; Kung C. Hung, New Territories, Hong Kong

[73] Assignee: The Brinkmann Corporation, Dallas, Tex.

[**] Term: 14 Years

[21] Appl. No.: 696,530

[22] Filed: May 7, 1991

[52] U.S. Cl. D26/68

[58] Field of Search D26/60-61,
D26/67-71; 362/431, 432, 362, 267, 145, 275,
287

[56] References Cited

U.S. PATENT DOCUMENTS

D. 152,806	2/1949	Klein	D26/63
D. 213,902	4/1969	Muller	D26/64
D. 222,556	11/1971	Mattson et al.	D26/63
D. 277,511	2/1985	Patel	D26/68
2,699,491	1/1955	Sternaman	D26/63 X
4,870,548	9/1989	Beachy et al.	362/431 X

OTHER PUBLICATIONS

Hadco® "Nightlife™ Landscape Lighting" (1988).
Slater® "Consumer Product Line".
Intermatic® "Malibu Deck Lights".

Primary Examiner—Susan J. Lucas
Attorney, Agent, or Firm—Mitchell P. Brook

[57] CLAIM

The ornamental design for an outdoor light fixture, as shown and described.

DESCRIPTION

FIG. 1 is a perspective view of an outdoor light fixture showing our new design;
FIG. 2 is a front elevational view thereof;
FIG. 3 is a top plan view thereof;
FIG. 4 is a left side elevational view thereof;
FIG. 5 is a right side elevational view thereof;
FIG. 6 is a rear elevational view thereof;
FIG. 7 is a bottom plan view thereof;
FIG. 8 is a perspective view of a second embodiment of our new design;
FIG. 9 is a front elevational view thereof;
FIG. 10 is a top plan view thereof;
FIG. 11 is a left side elevational view thereof;
FIG. 12 is a right side elevational view thereof;
FIG. 13 is a rear elevational view thereof; and,
FIG. 14 is a bottom plan view thereof.

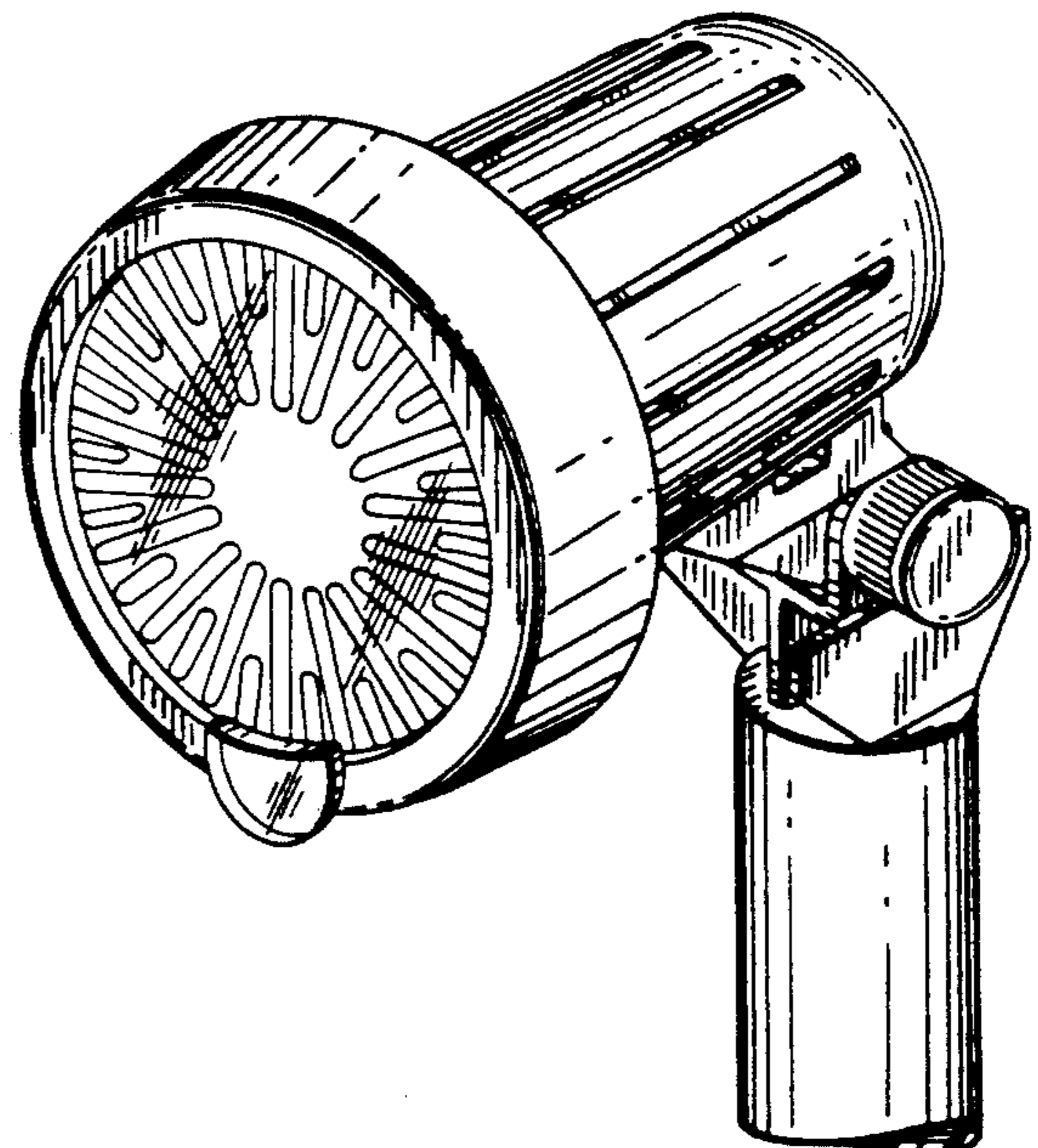
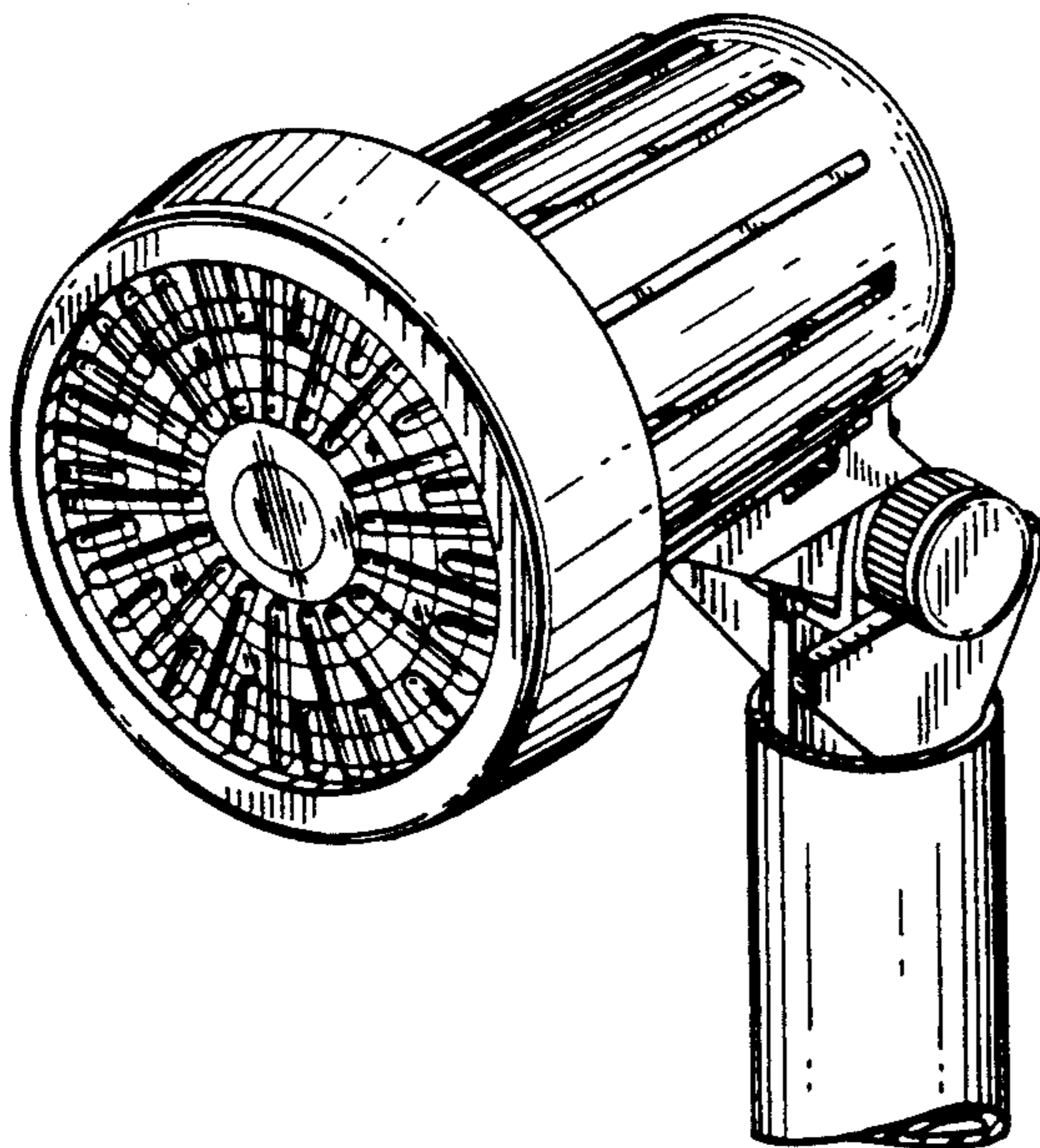


FIG. 1

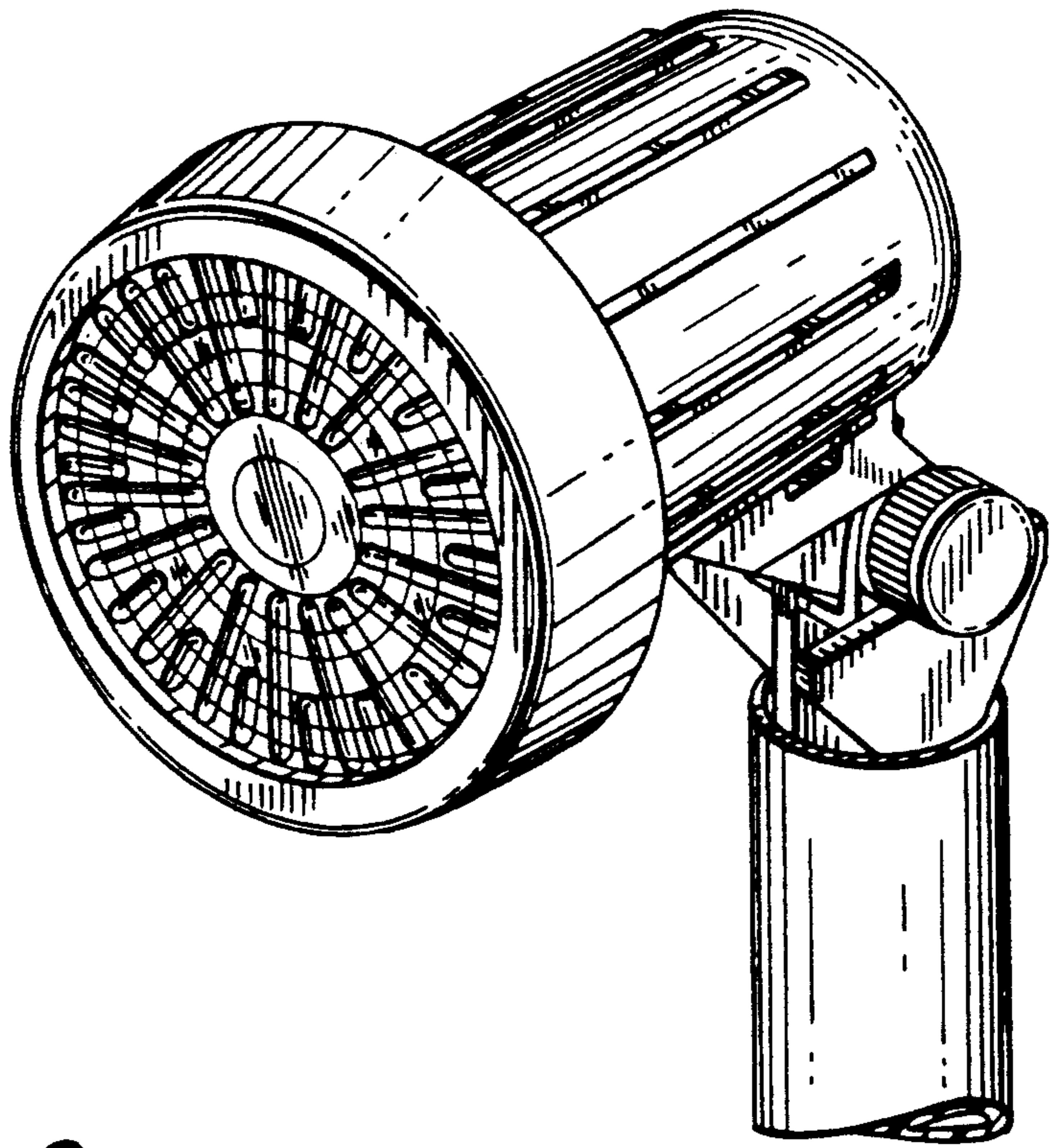


FIG. 2

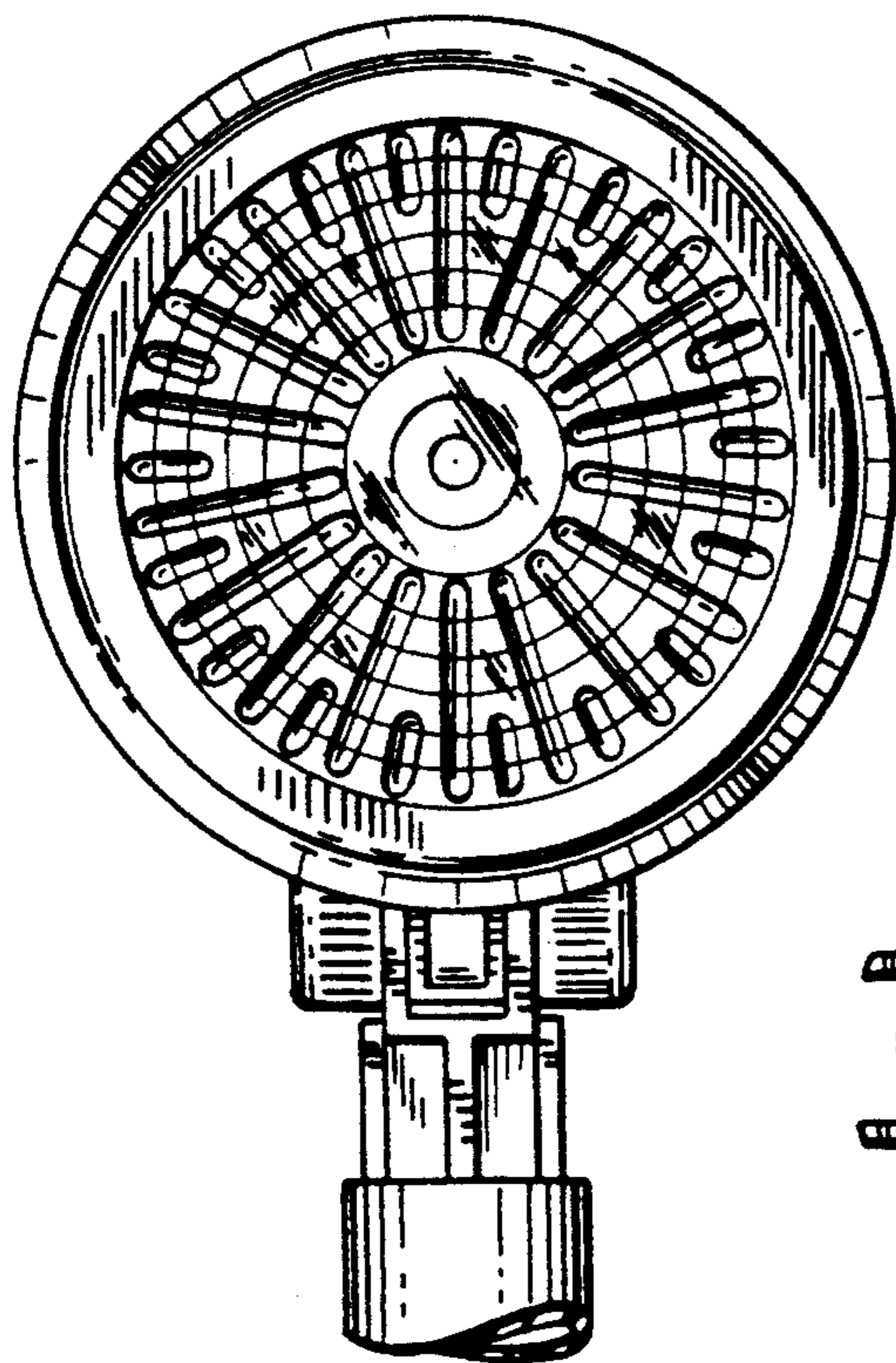


FIG. 3

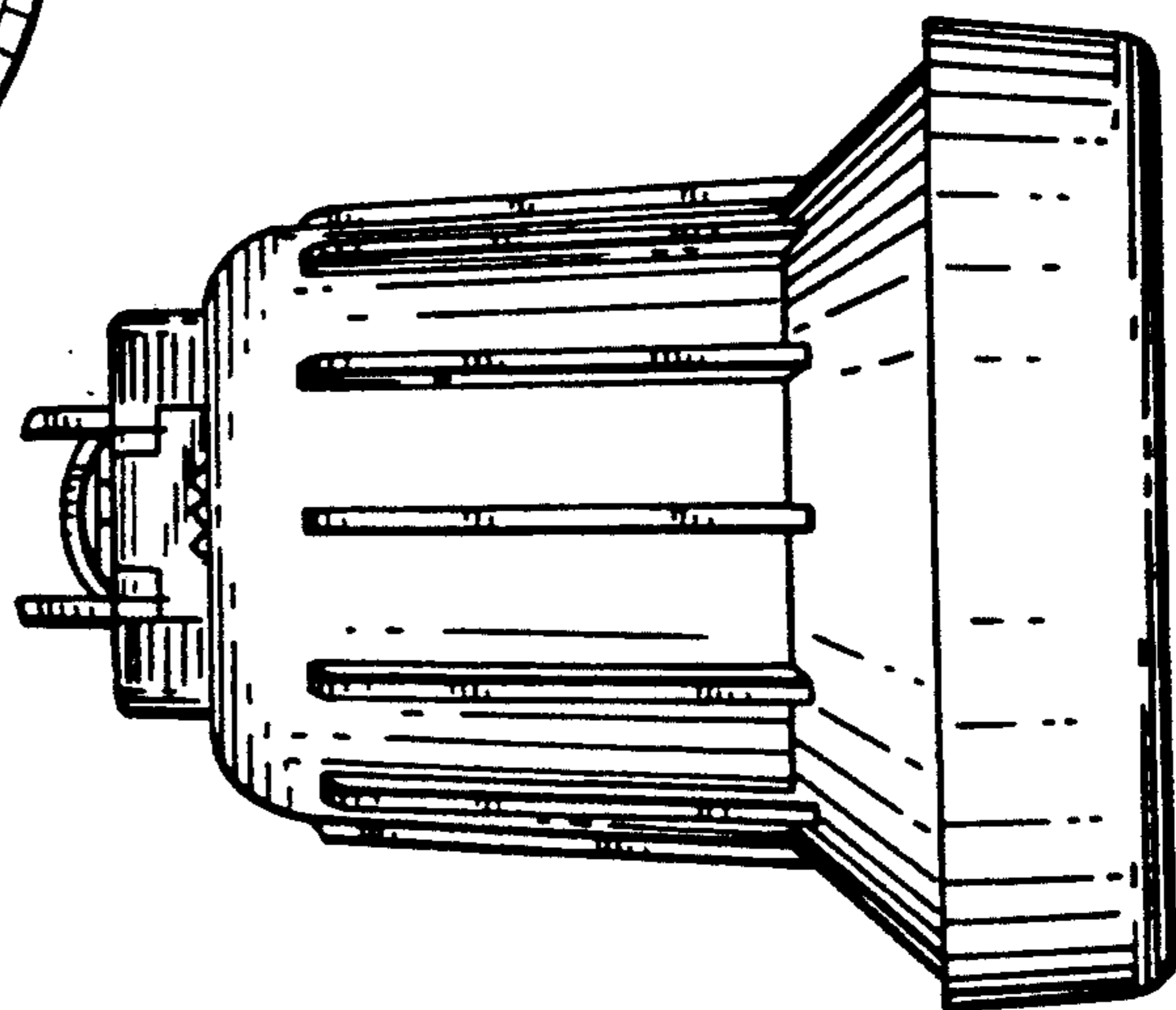


FIG. 4

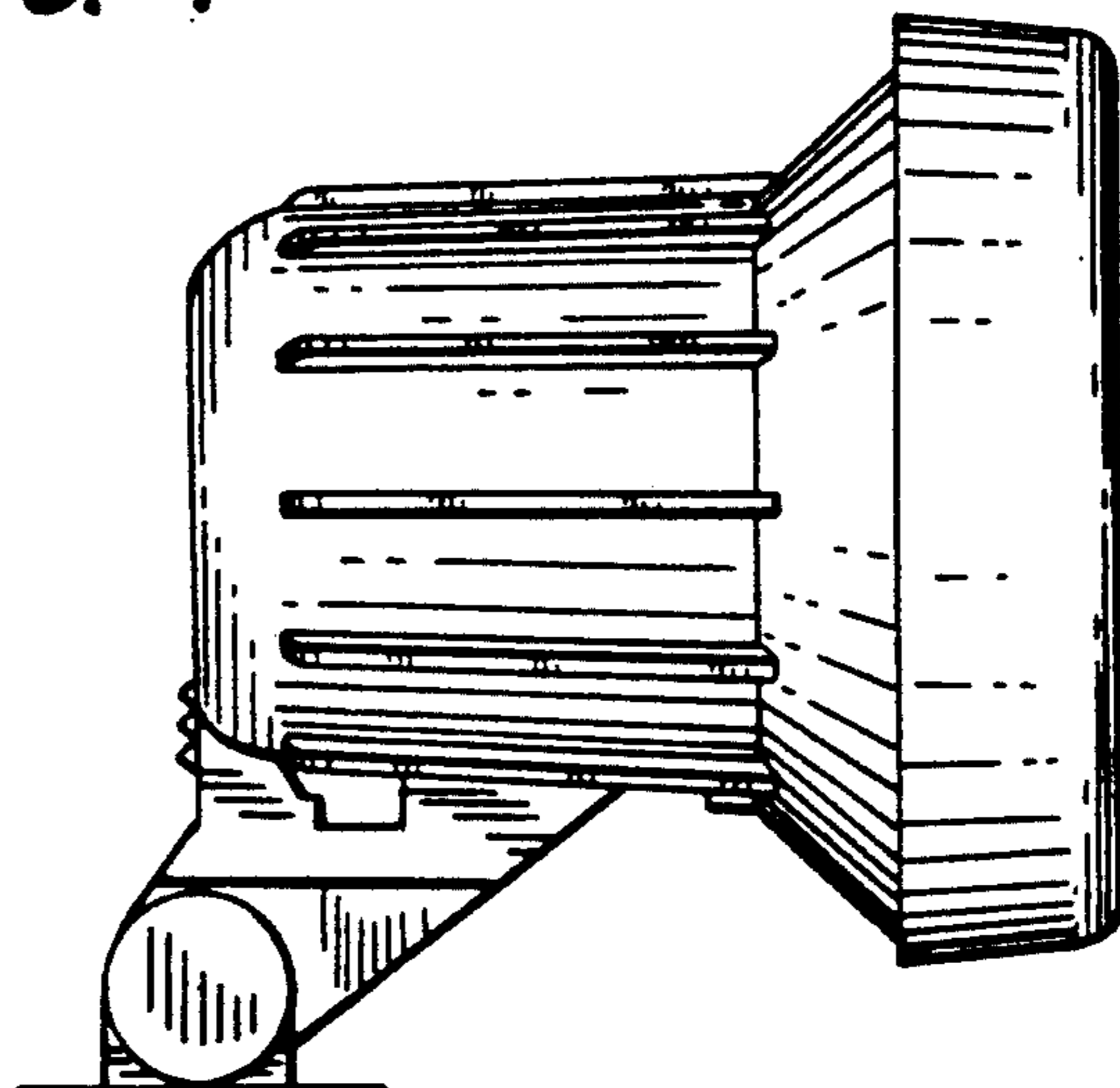


FIG. 5

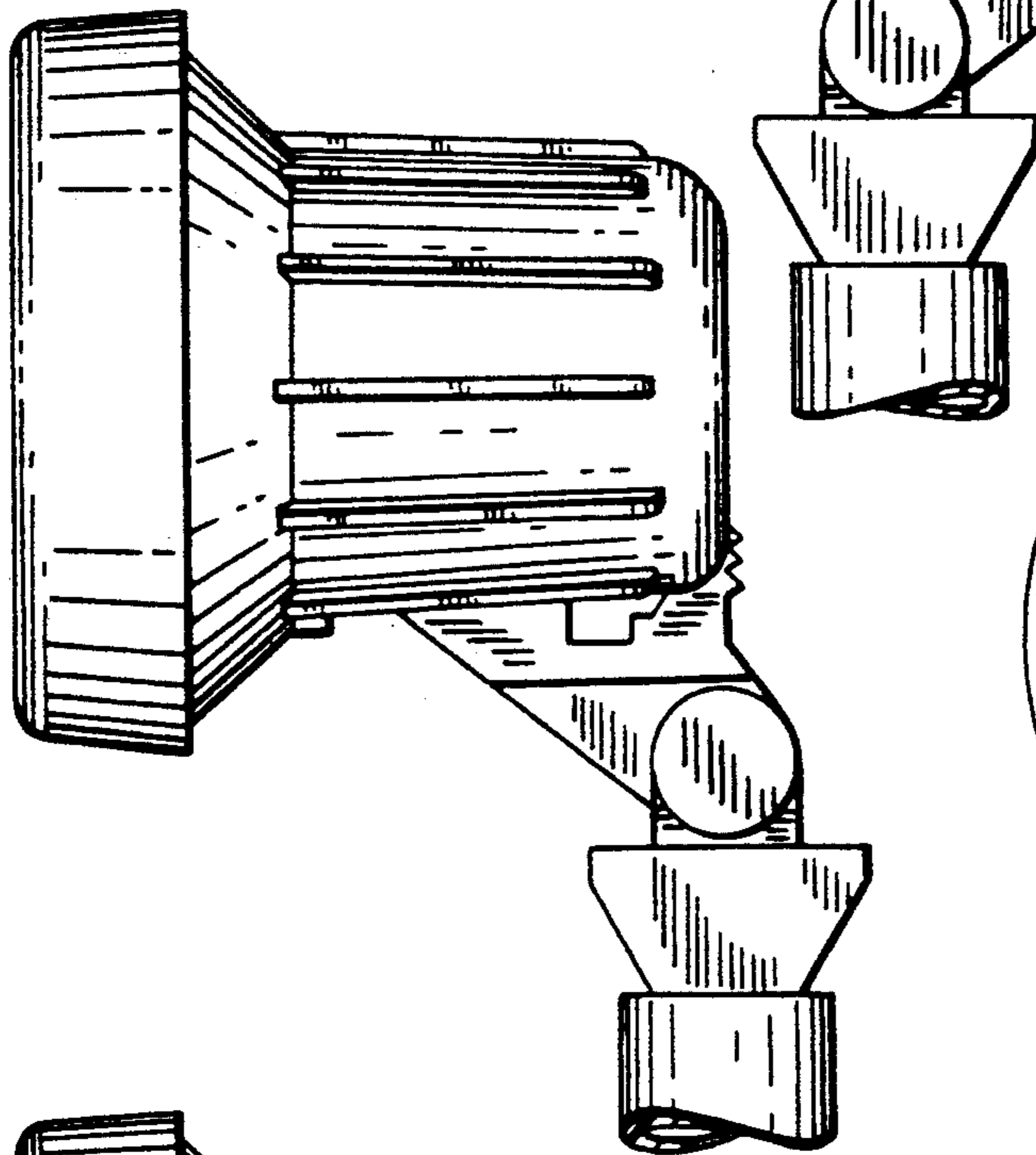


FIG. 6

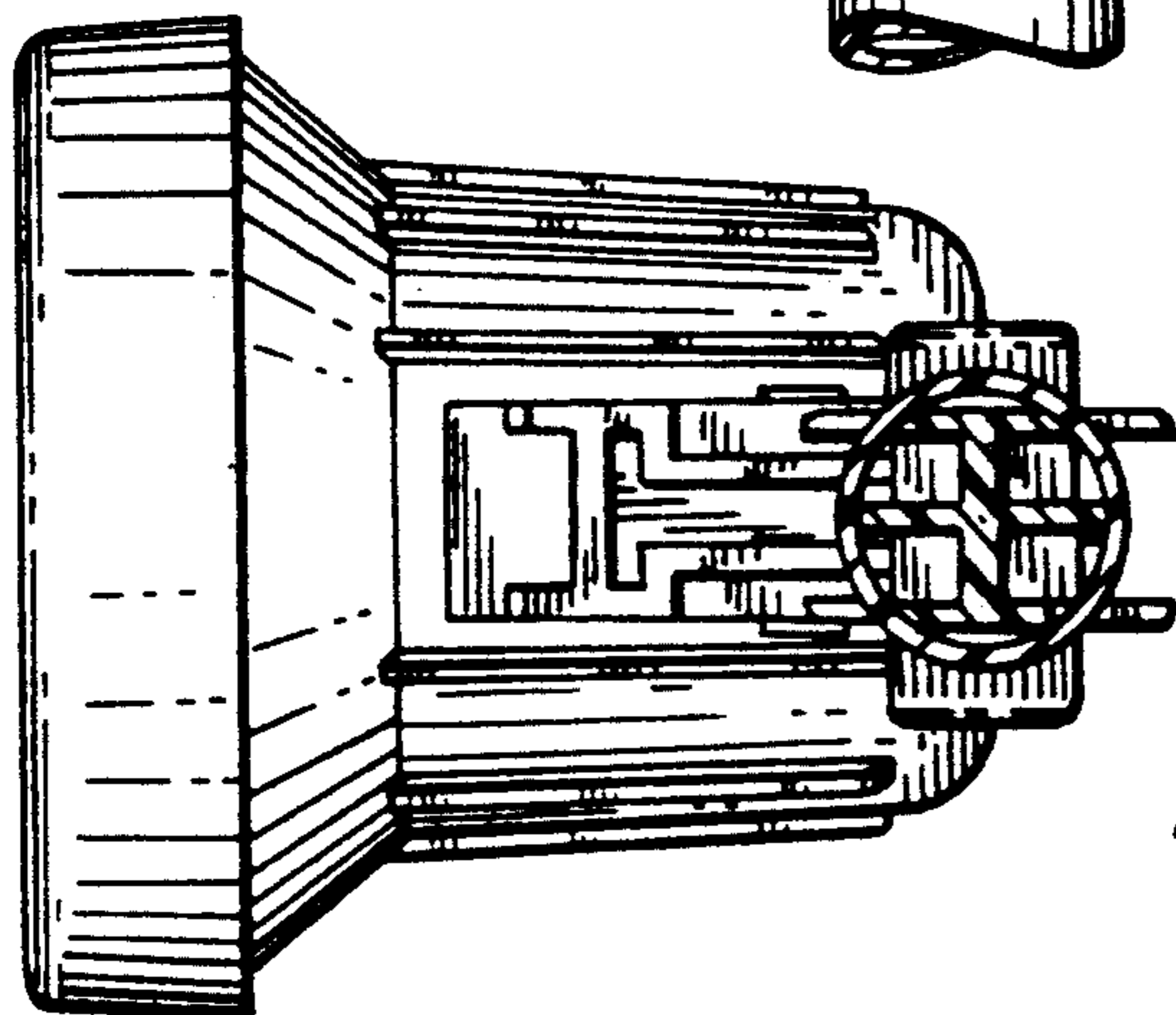
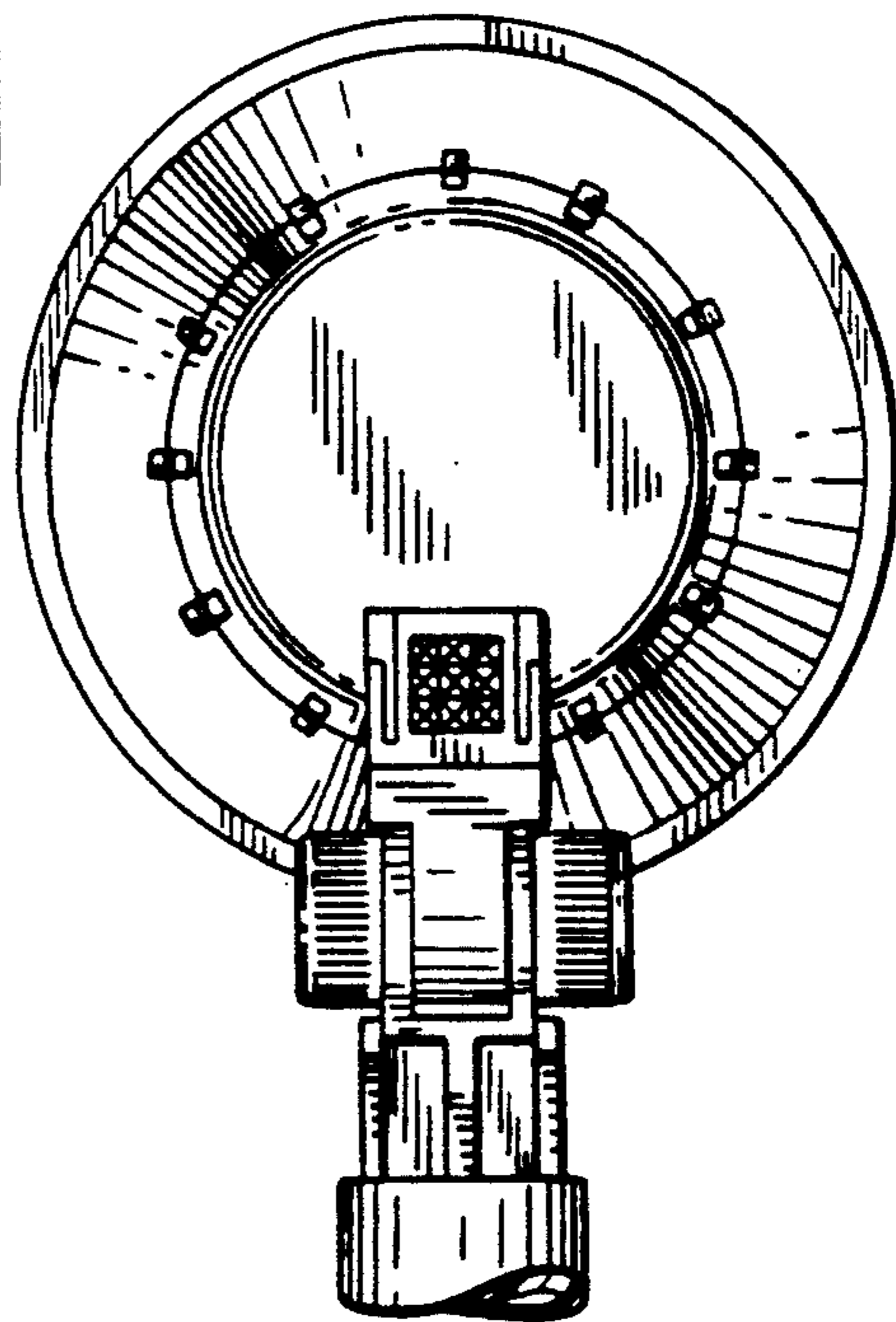


FIG. 7

FIG. 8

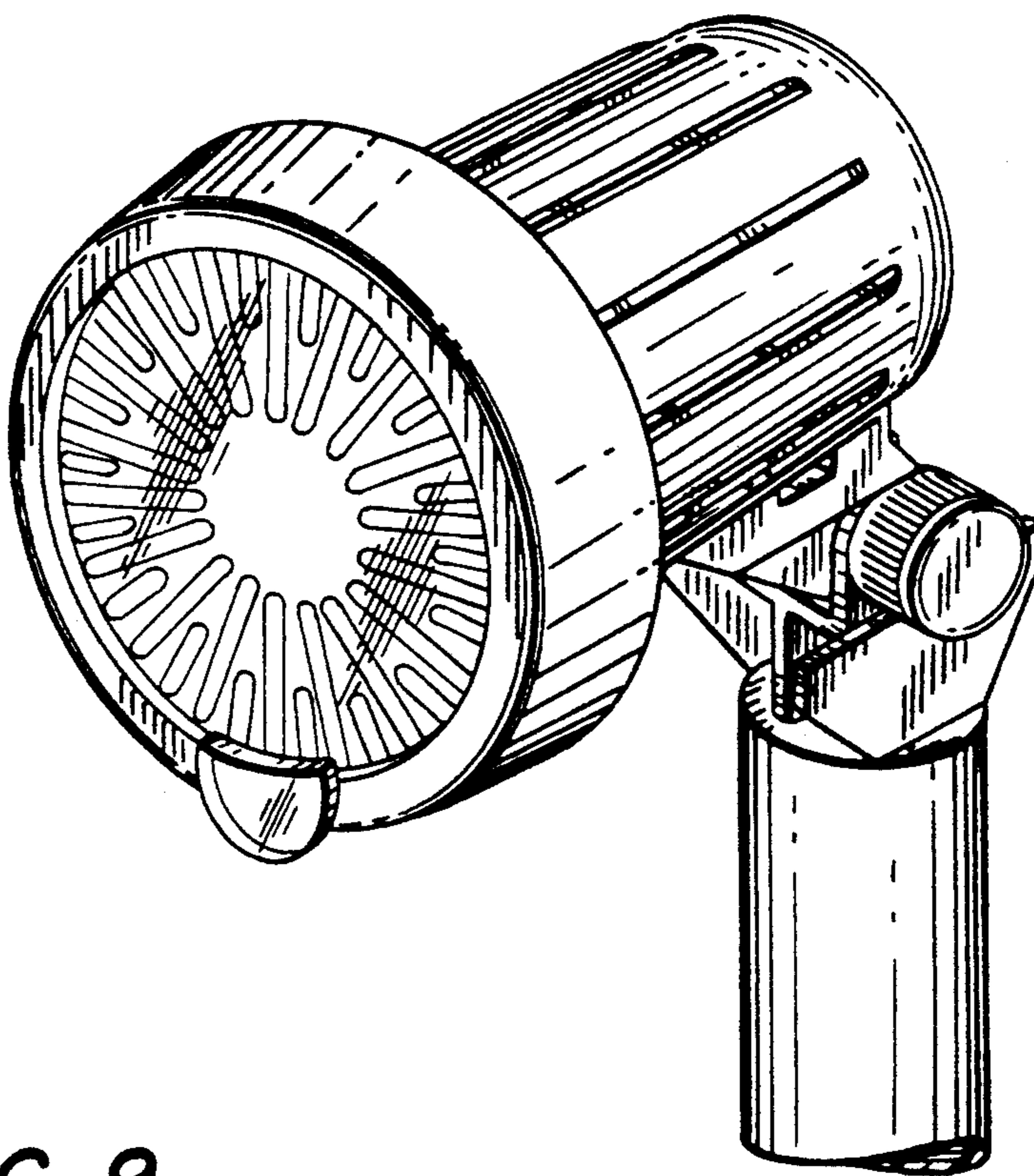


FIG. 9

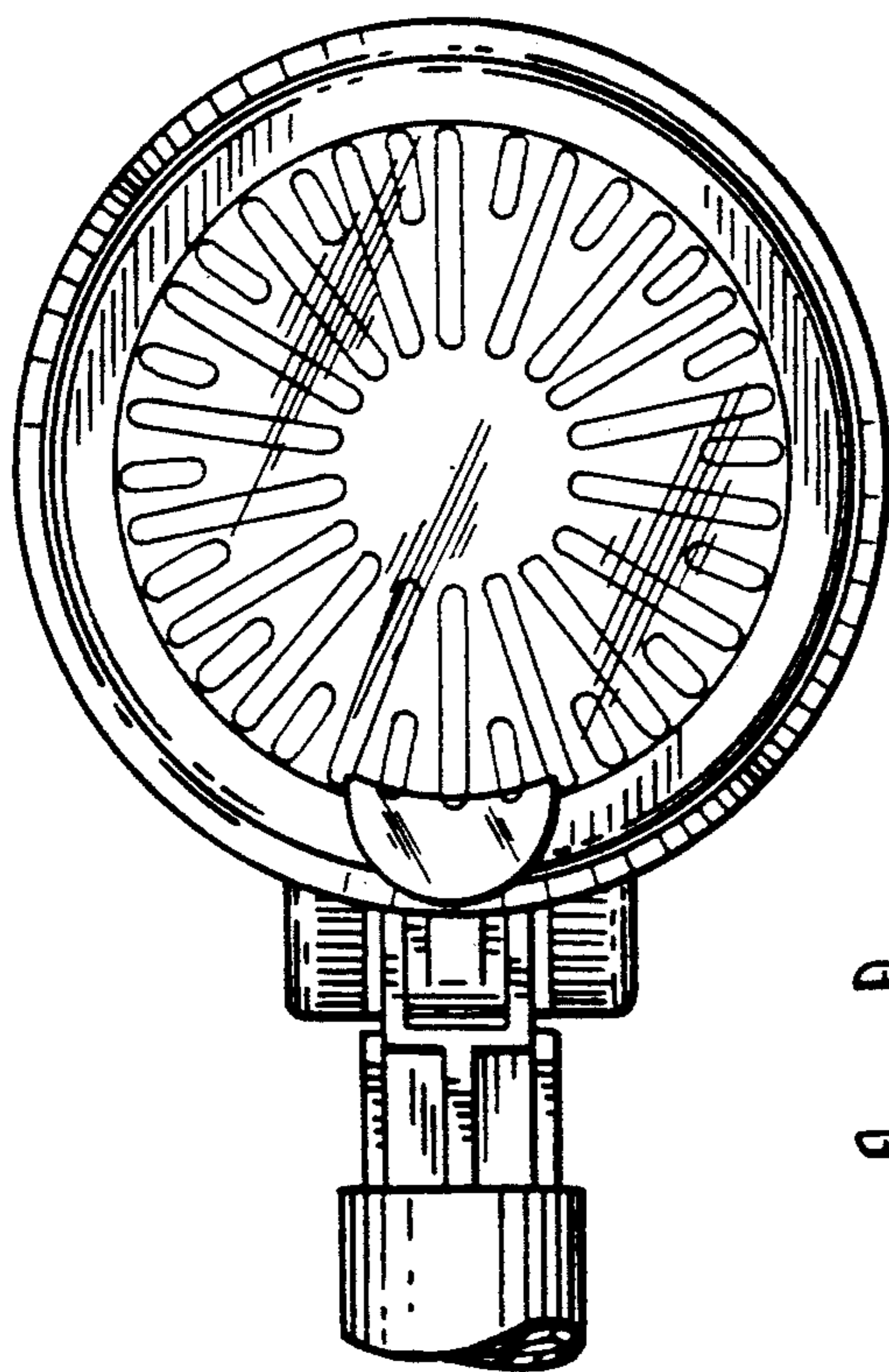


FIG. 10

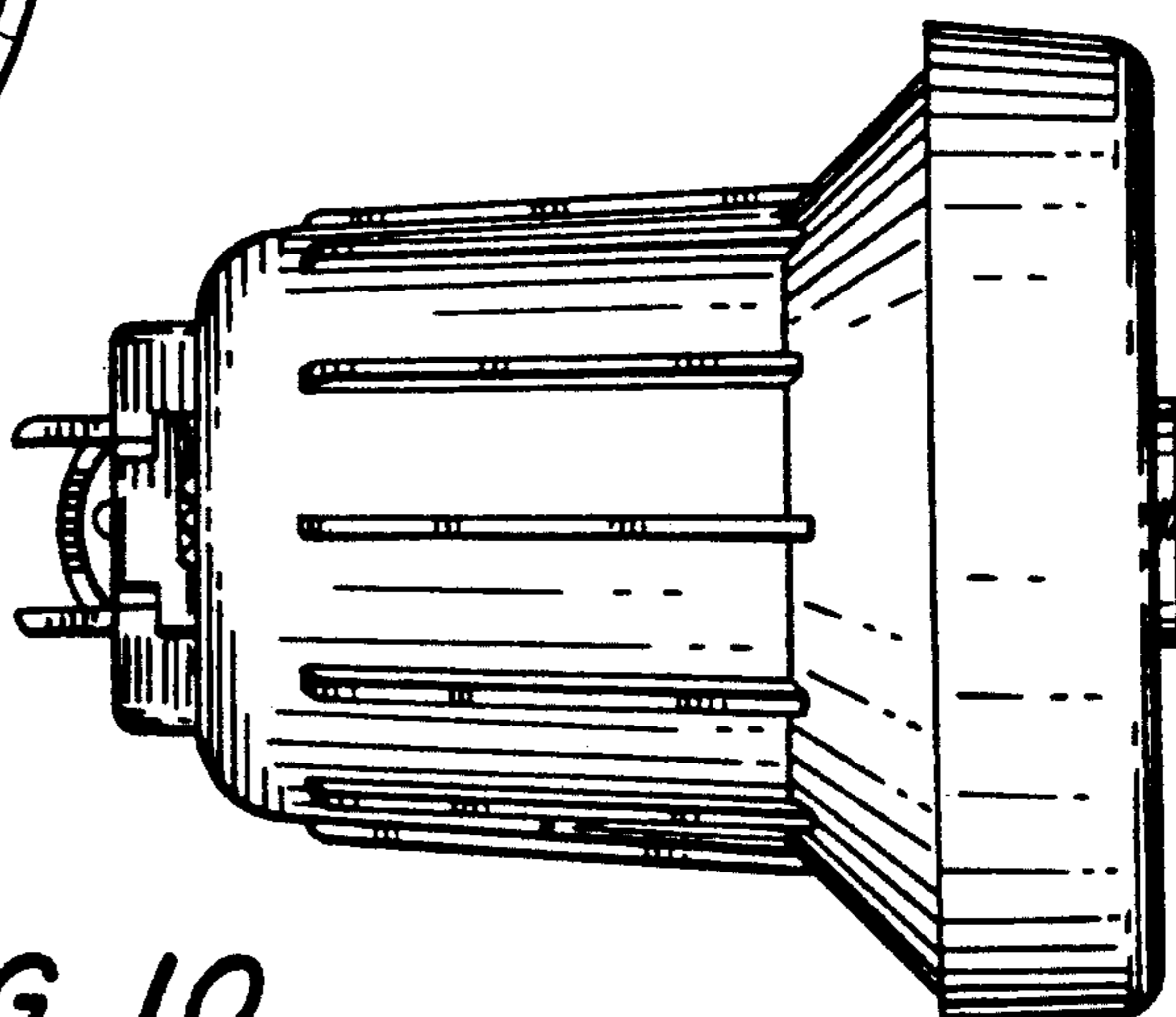


FIG. 11

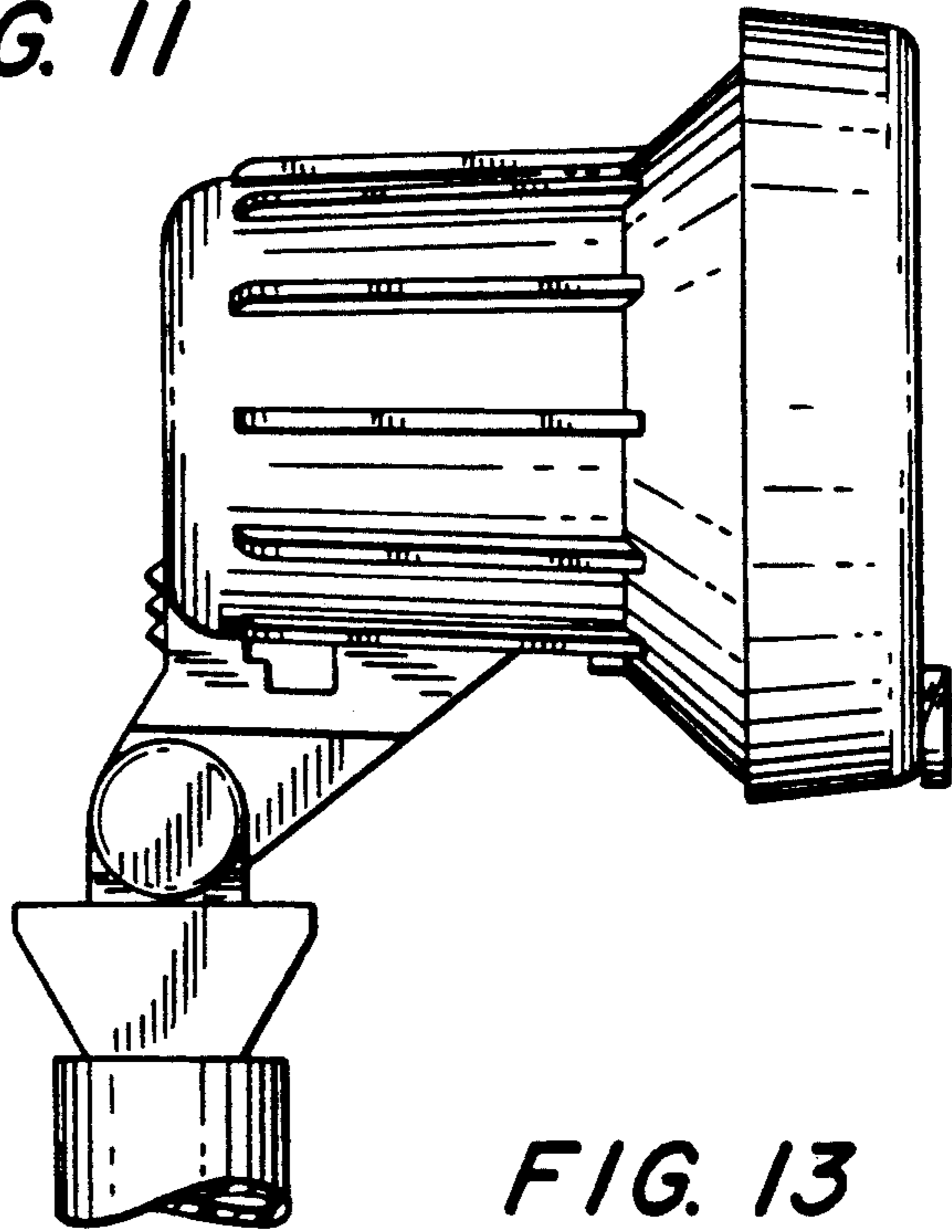


FIG. 12

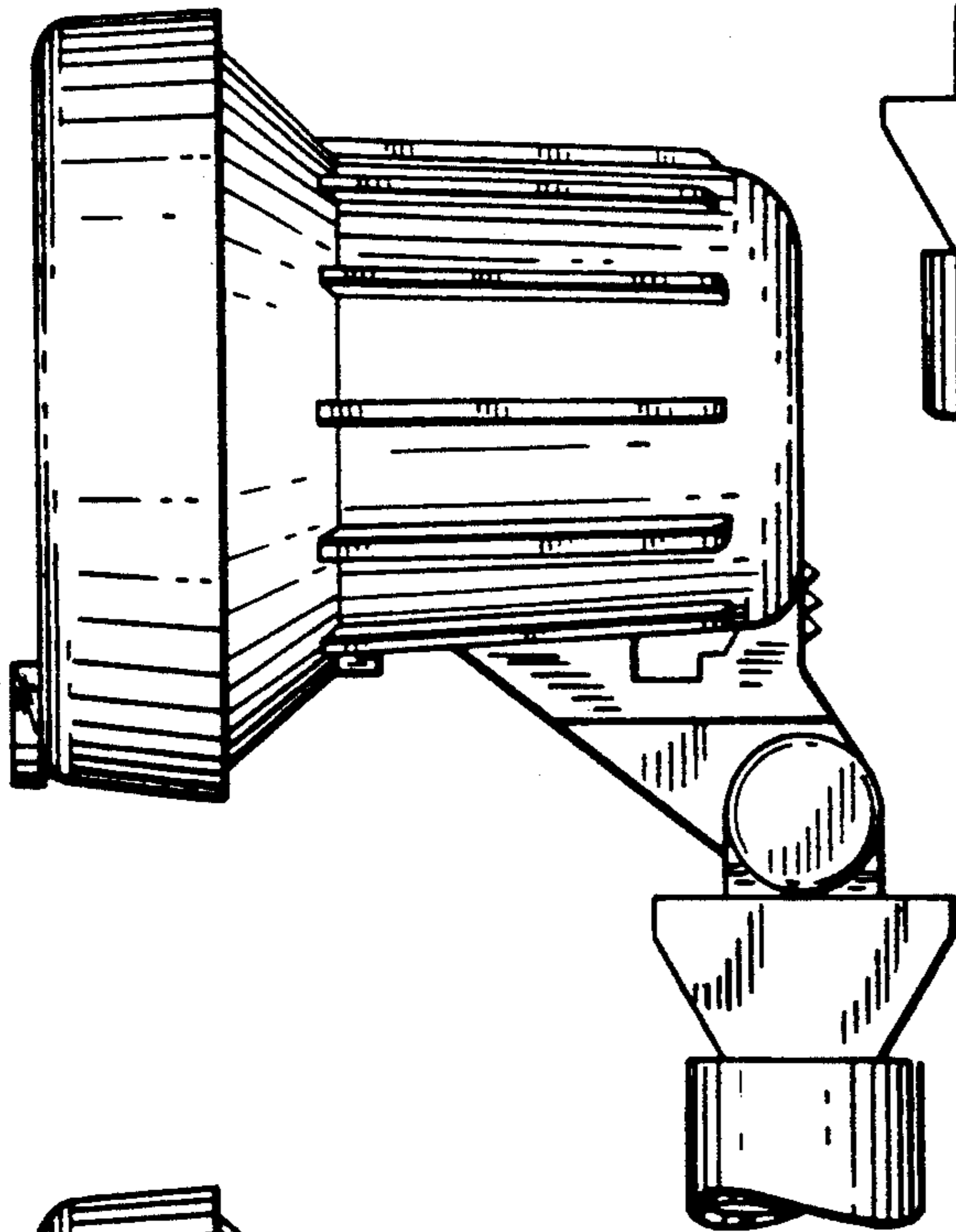


FIG. 13

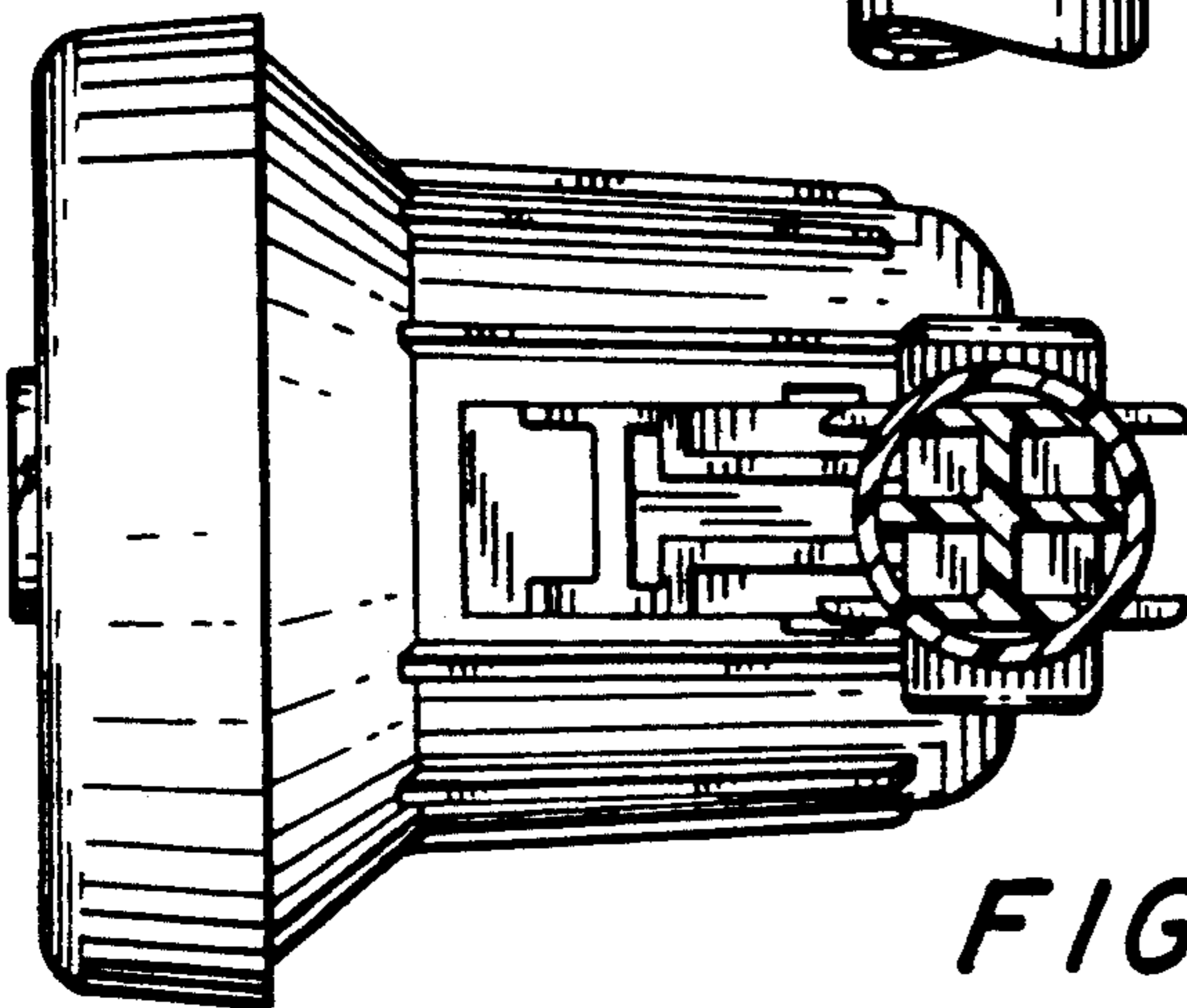
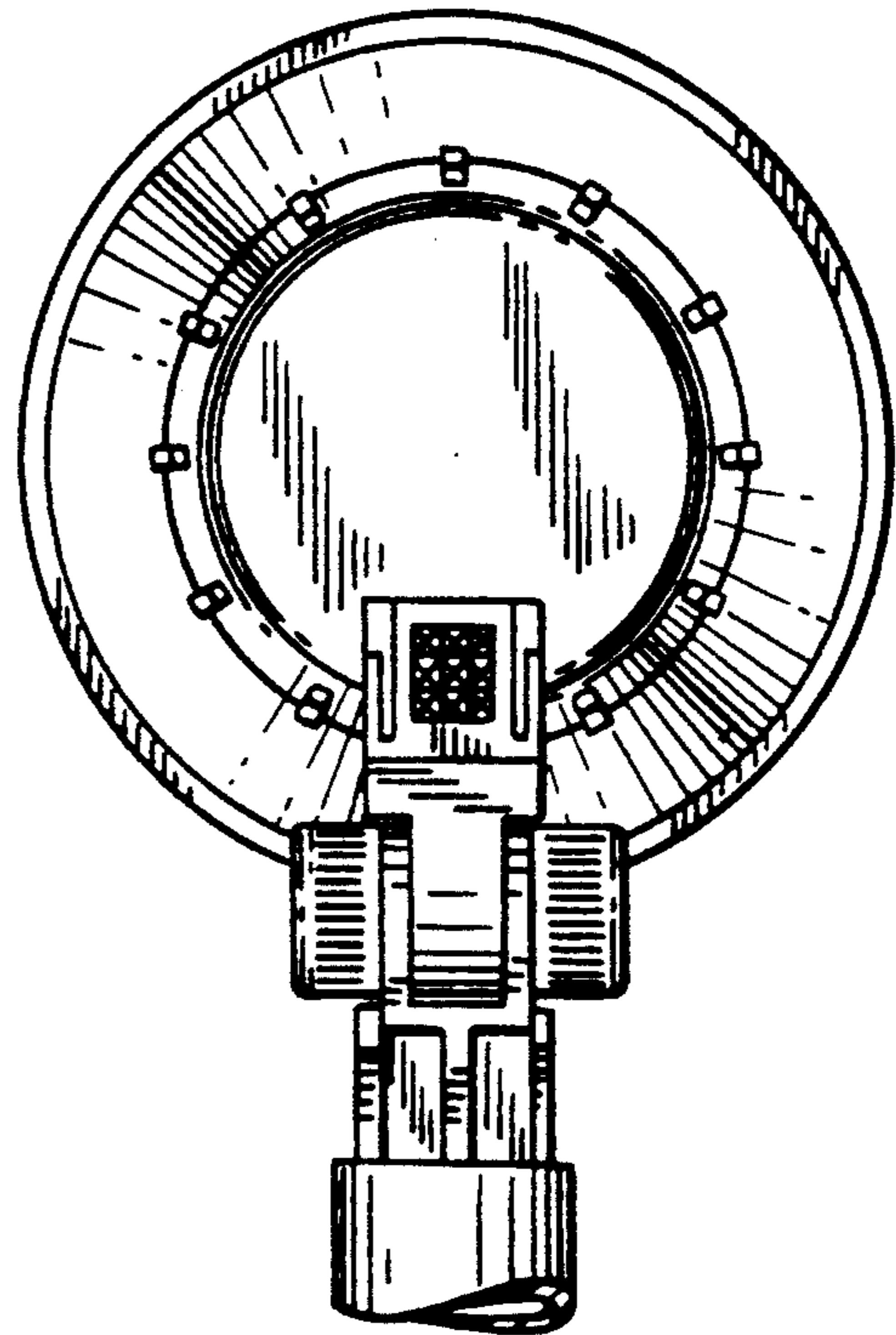


FIG. 14