



US00D340304S

# United States Patent [19]

[11] Patent Number: **Des. 340,304**

Solberg

[45] Date of Patent: **\*\* Oct. 12, 1993**

## [54] FLOODLIGHT

[75] Inventor: **Kent A. Solberg, Racine, Wis.**

[73] Assignee: **Ruud Lighting, Inc., Racine, Wis.**

[\*] Notice: The portion of the term of this patent subsequent to Feb. 2, 2007 has been disclaimed.

[\*\*] Term: **14 Years**

[21] Appl. No.: **652,909**

[22] Filed: **Feb. 8, 1991**

[52] U.S. Cl. .... **D26/68**

[58] Field of Search ..... **D26/67-92;**  
362/431, 432, 362, 367, 428, 153.1

## [56] References Cited

### U.S. PATENT DOCUMENTS

- D. 264,635 5/1982 Labouliere et al. .... D26/67
- D. 285,010 8/1986 Mullins ..... D26/67

## OTHER PUBLICATIONS

Custom Lighting, Inc. Ad, p. 1, Exterior Luminaire, #CL-Monterey-SQ1.

Ruud Lighting Catalog, 1986, inside front cover, post top luminaire.

*Primary Examiner*—Susan J. Lucas

*Attorney, Agent, or Firm*—Jansson & Shupe, Ltd.

## [57] CLAIM

The ornamental design for a floodlight, as shown and described.

## DESCRIPTION

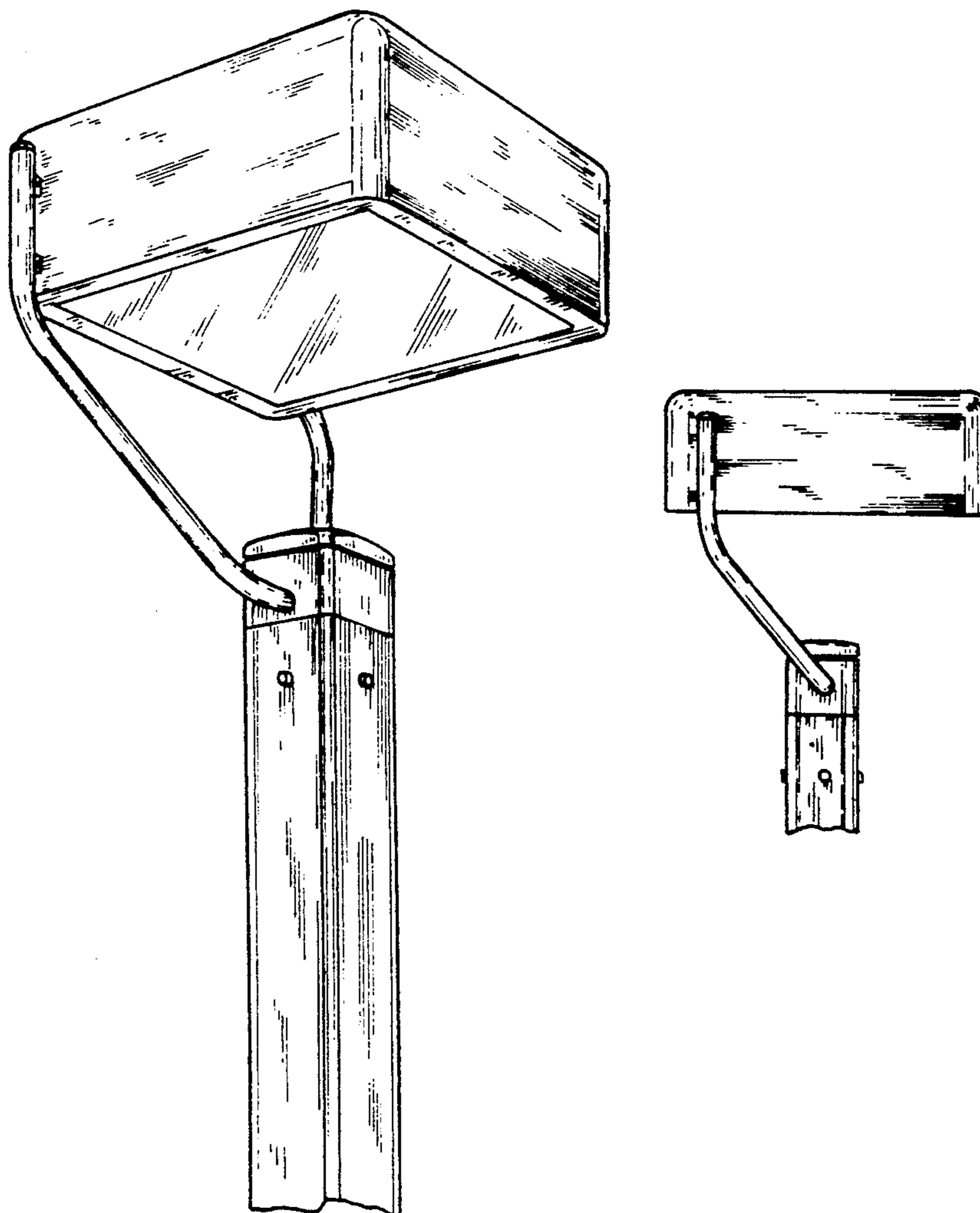
FIG. 1 is a front perspective view of a floodlight showing my new design;

FIG. 2 is a top plan view thereof on a reduced scale;

FIG. 3 is a side elevational view thereof on a reduced scale, the opposite side being a mirror image;

FIG. 4 is a front elevational view thereof on a reduced scale, the rear being a mirror image; and,

FIG. 5 is a bottom plan view thereof.



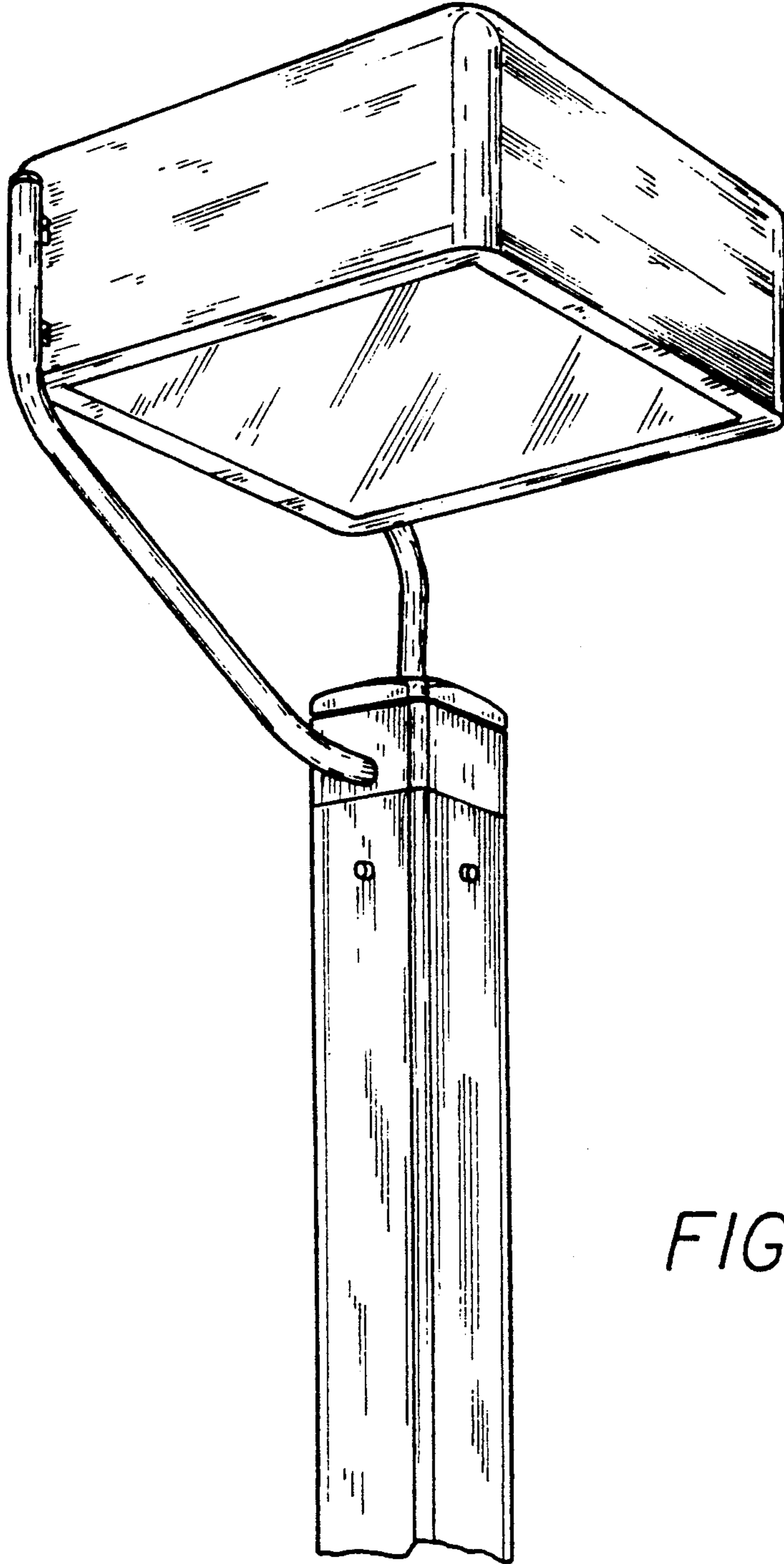


FIG. 1

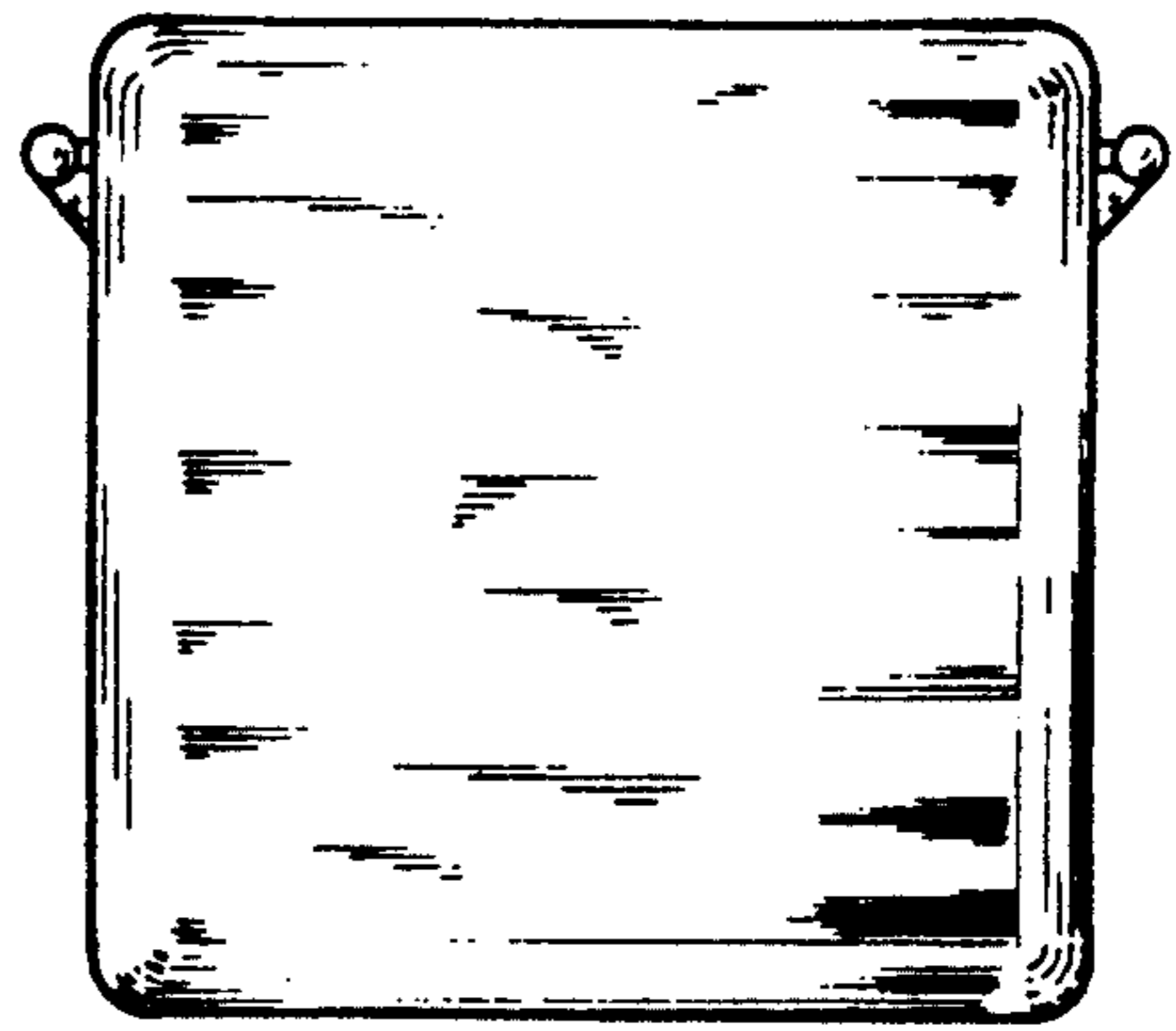


FIG. 2

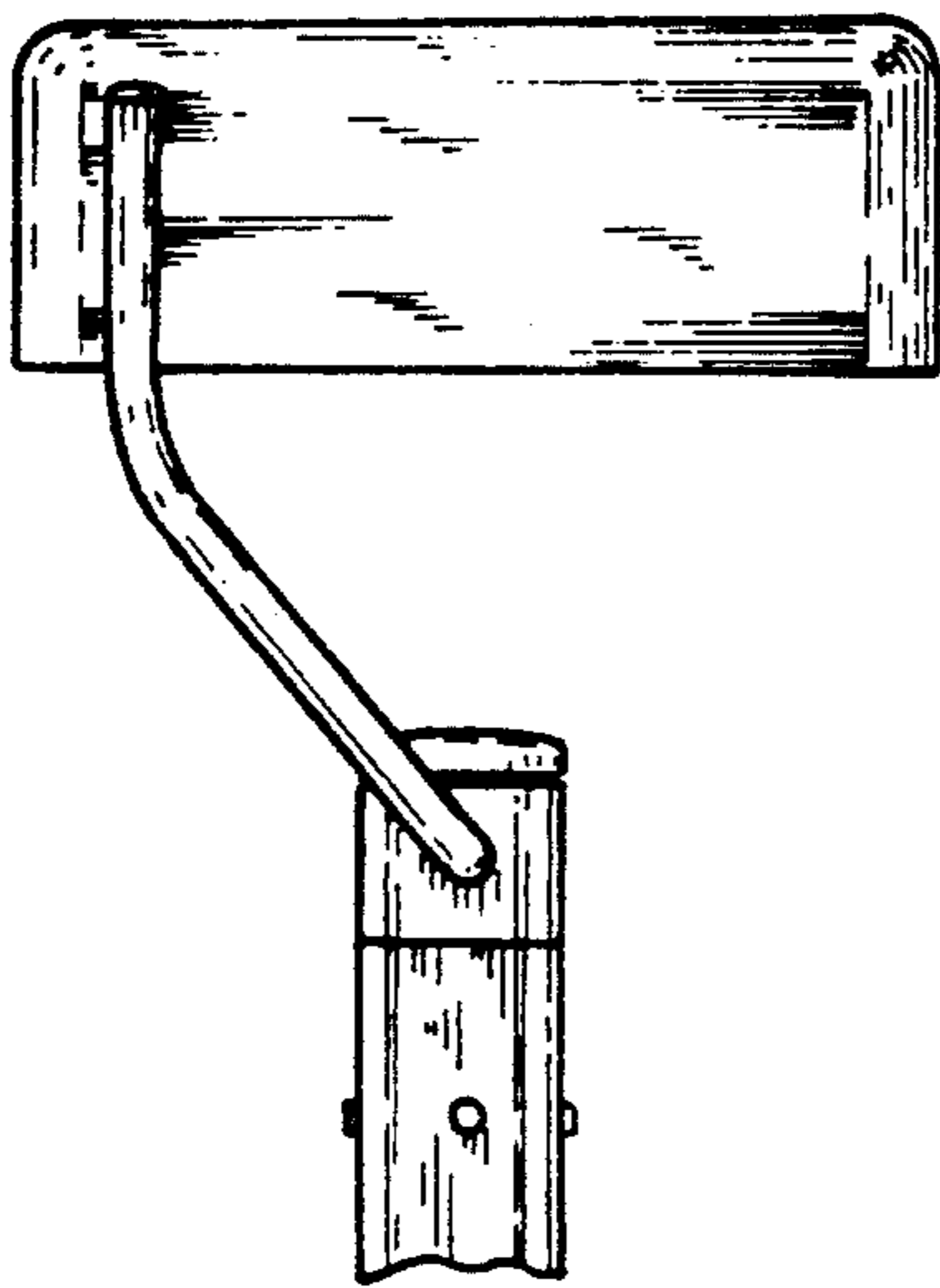


FIG. 3

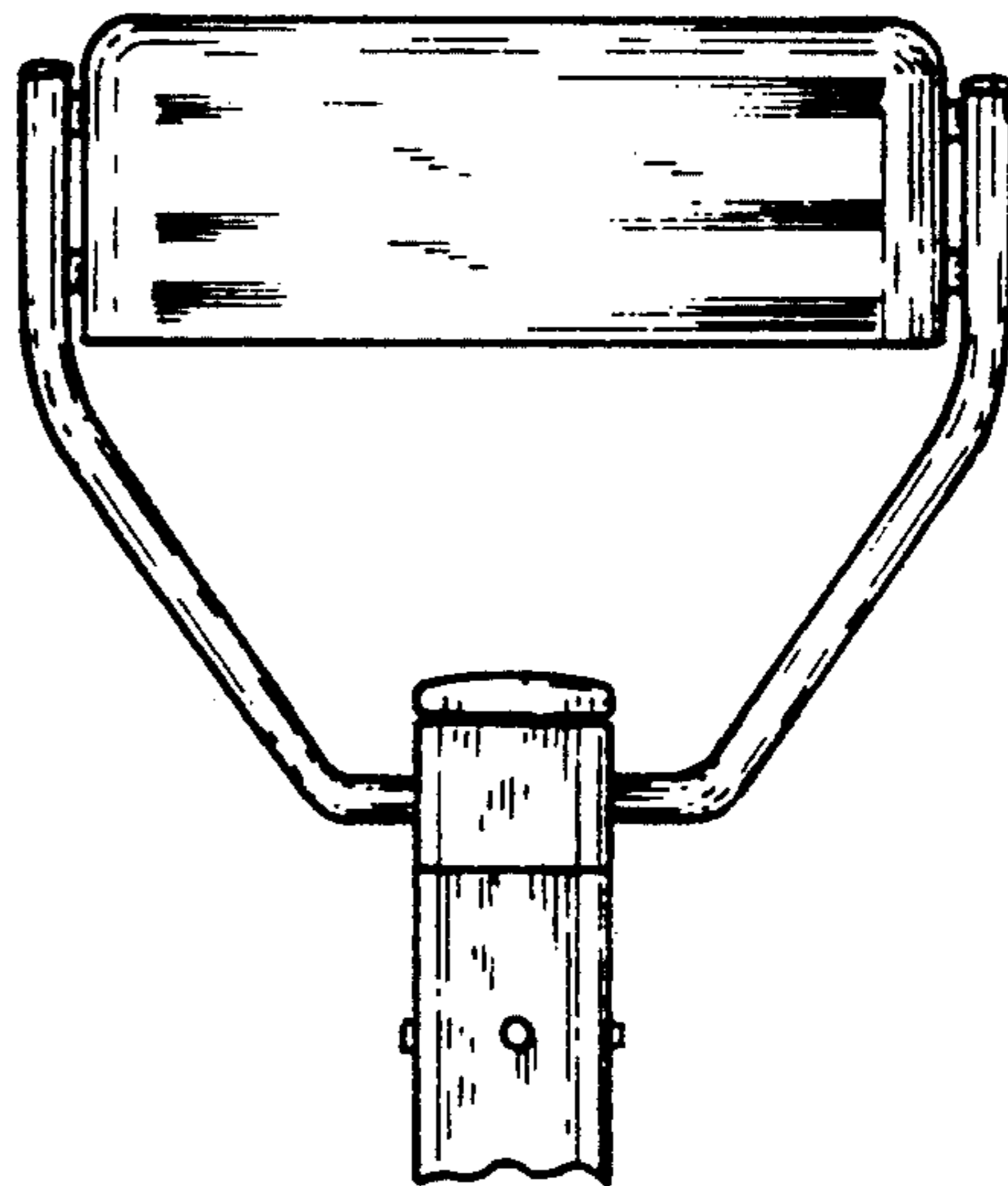


FIG. 4

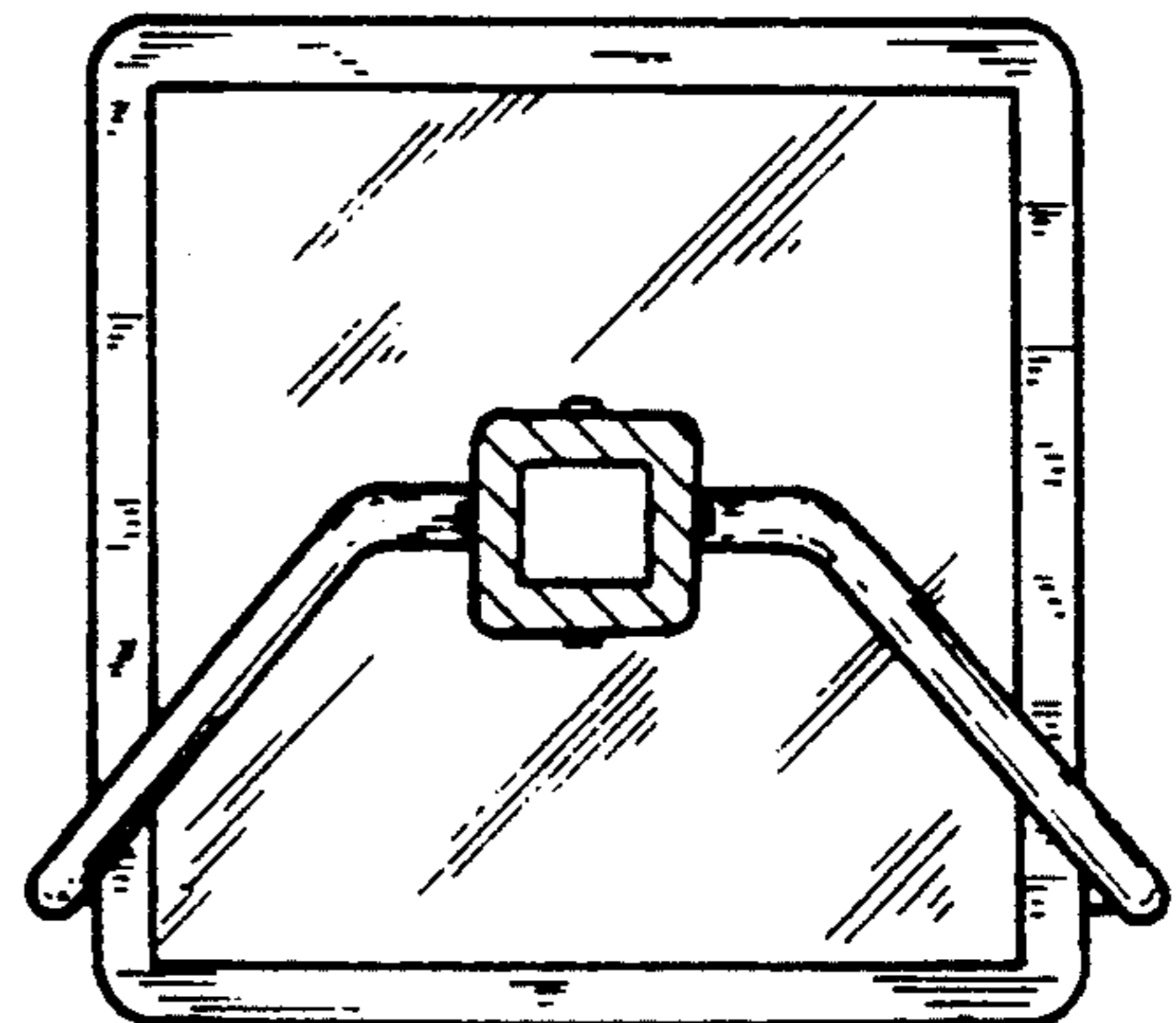


FIG. 5