



US00D340303S

# United States Patent [19]

[11] Patent Number: Des. 340,303

Huang

[45] Date of Patent: \*\* Oct. 12, 1993

[54] ADJUSTABLE TABLE LAMP

5,065,297 11/1991 Santanbrogio ..... 362/413

[76] Inventor: James C. S. Huang, No. 19, Lane 111, Ho Ping Rd., Luchou, Taipei Hsien, Taiwan

Primary Examiner—Susan J. Lucas  
Attorney, Agent, or Firm—Poms, Smith, Lande & Rose

[\*\*] Term: 14 Years

[57] CLAIM

[21] Appl. No.: 817,425

The ornamental design for an adjustable table lamp, as shown and described.

[22] Filed: Jan. 2, 1992

DESCRIPTION

[52] U.S. Cl. .... D26/66; D26/65

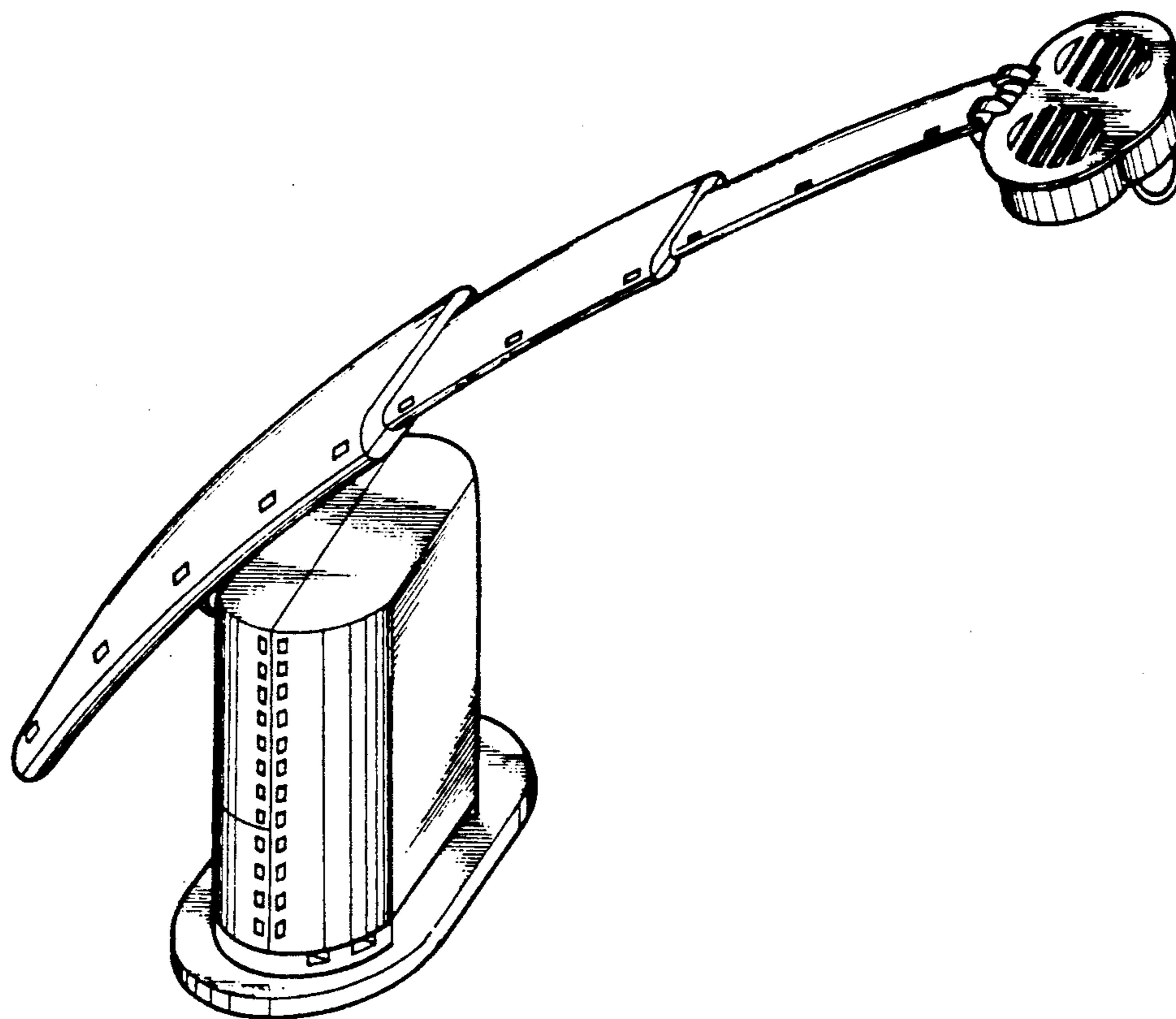
[58] Field of Search ..... D26/60-66; 362/410-414, 418, 419, 427, 269, 275, 285

FIG. 1 is a top, front perspective view of an adjustable table lamp showing my design;  
FIG. 2 is a left side elevational view thereof, the right side being a mirror image;  
FIG. 3 is a top plan view thereof;  
FIG. 4 is a bottom plan view thereof;  
FIG. 5 is a rear elevational view thereof; and,  
FIG. 6 is a front elevational view thereof.

[56] References Cited

U.S. PATENT DOCUMENTS

D. 327,545 6/1992 Lee ..... D26/66



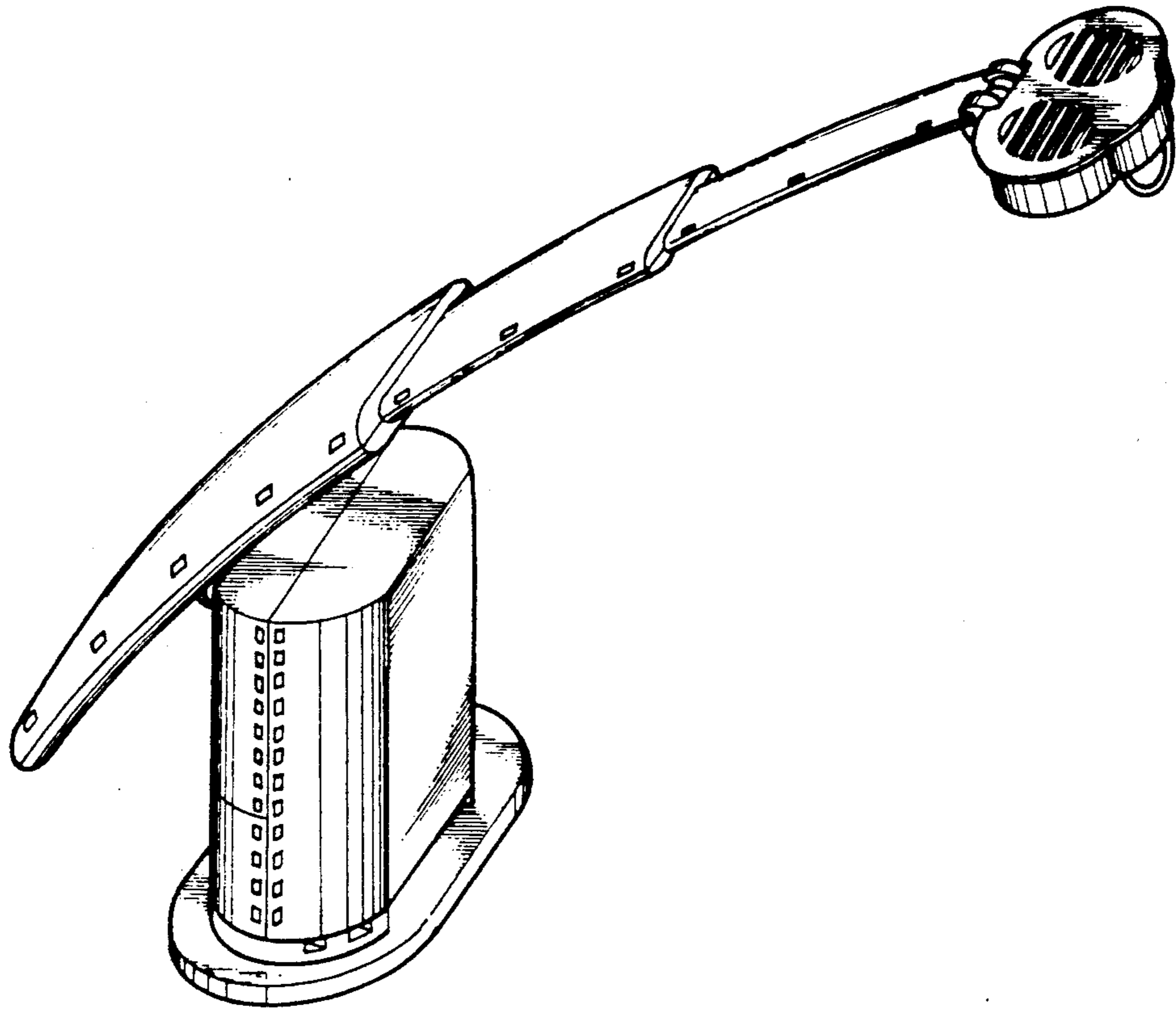


FIG. 1

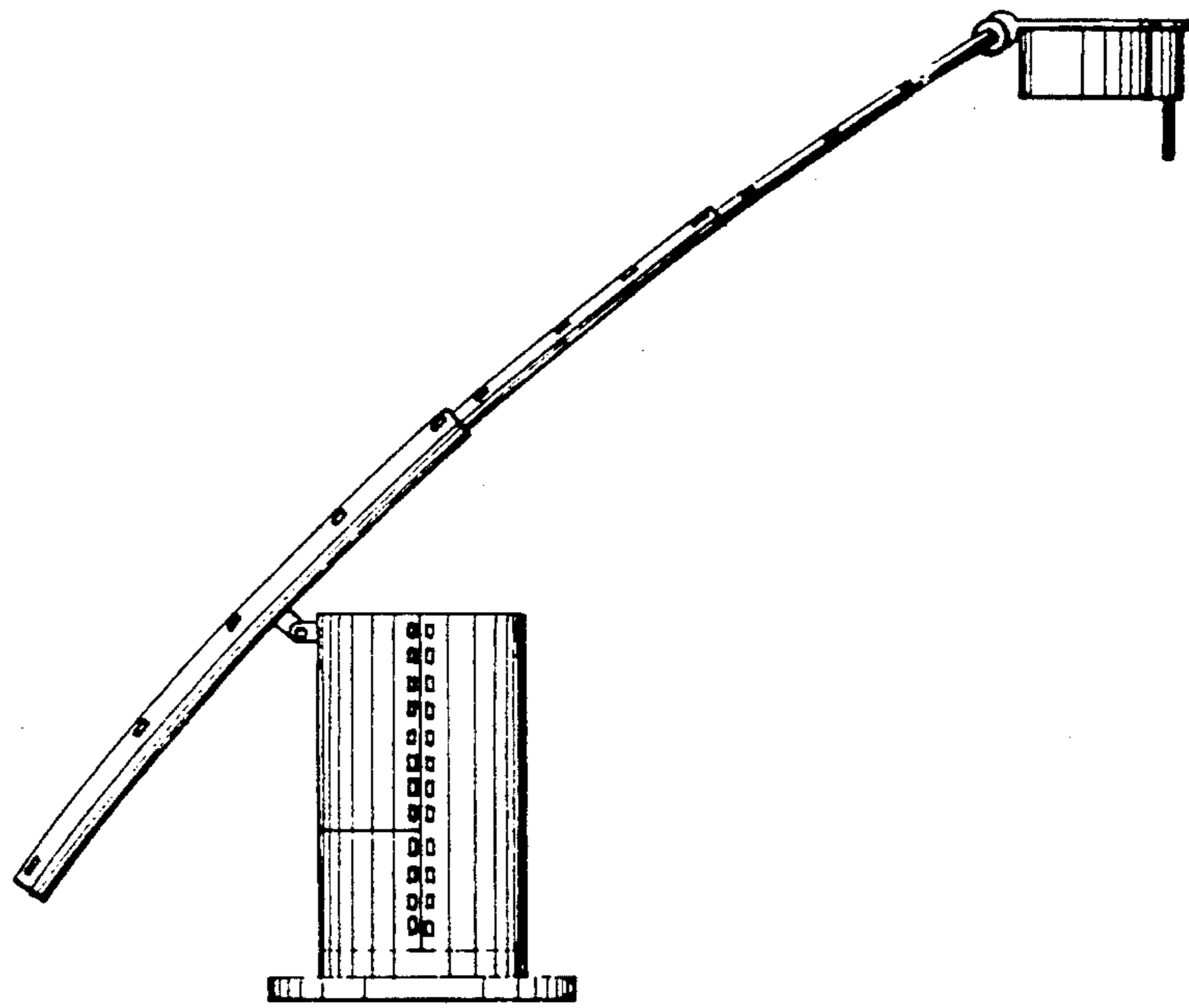


FIG. 2

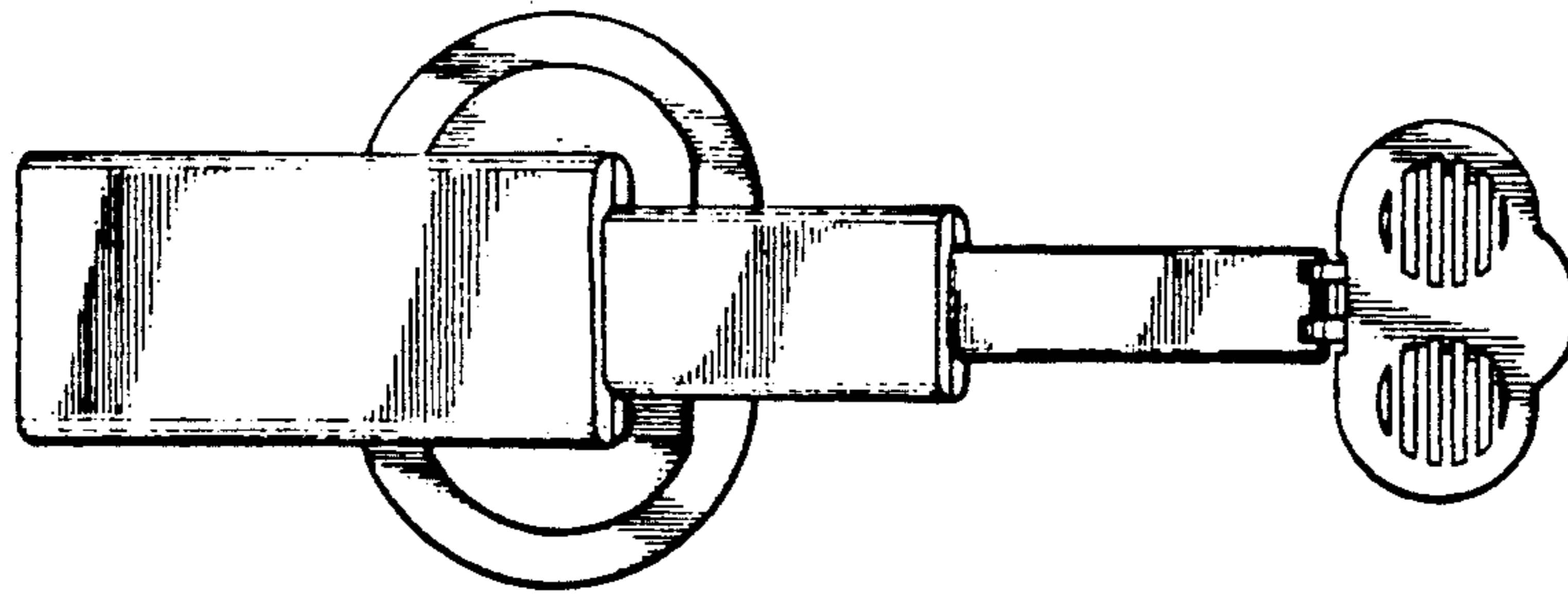


FIG. 3

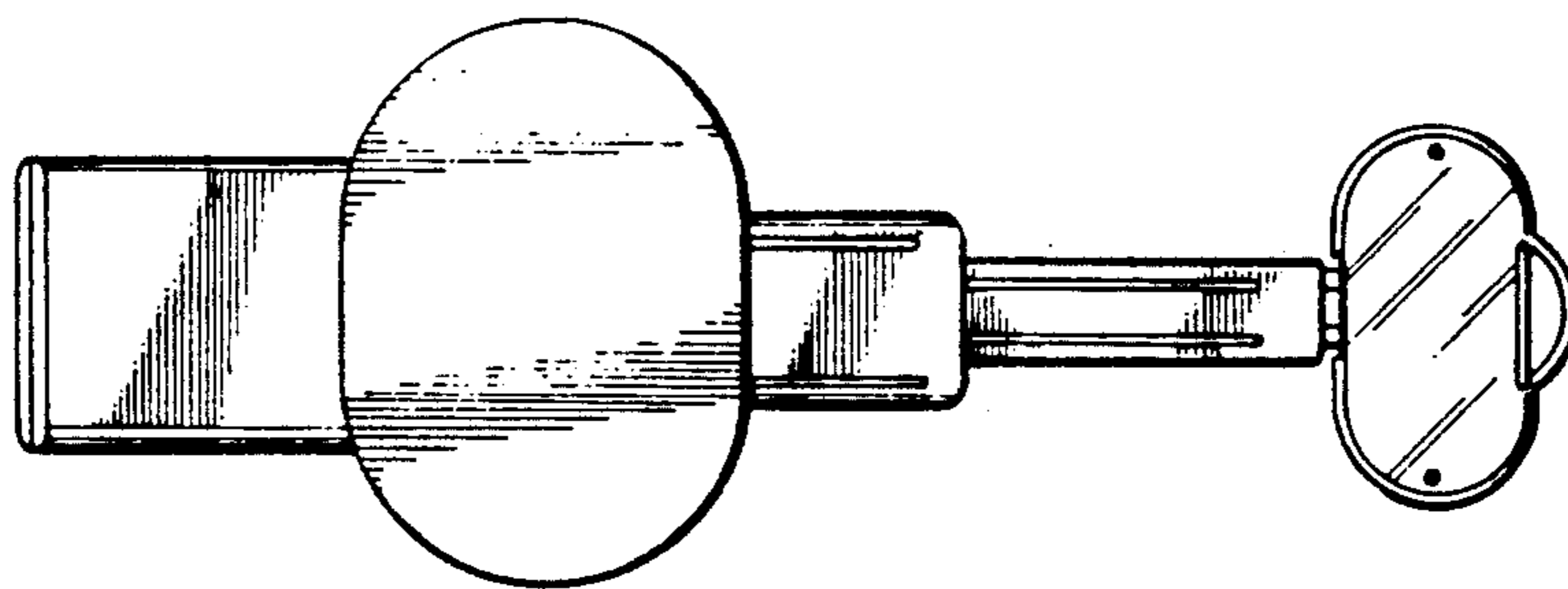
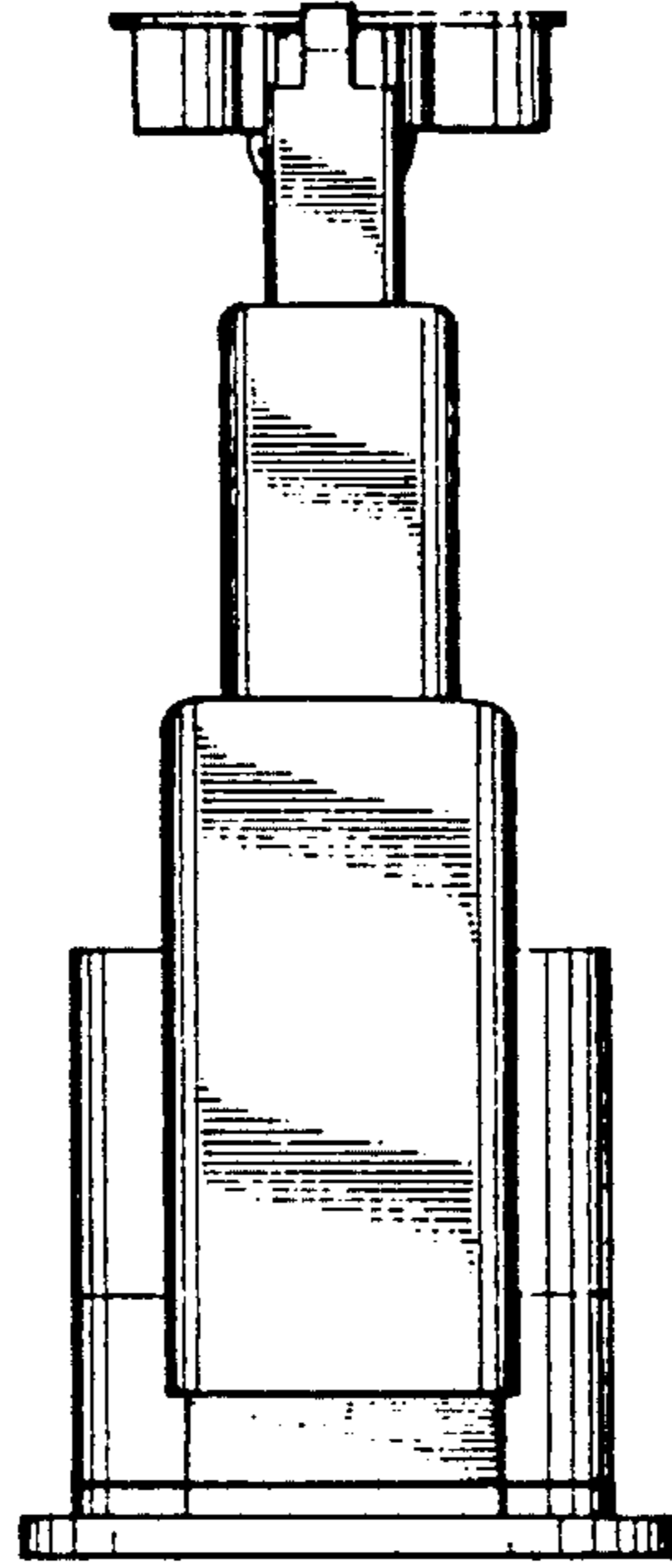
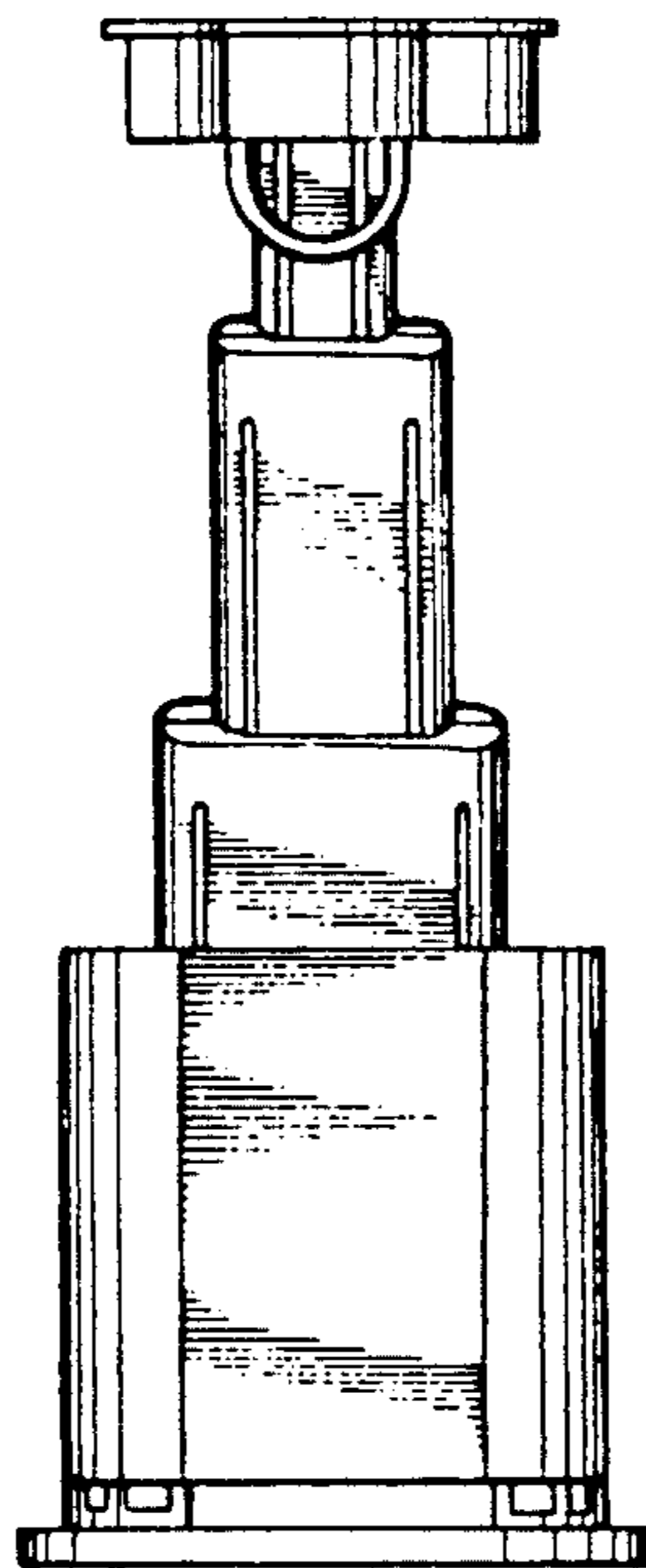


FIG. 4



*FIG. 5*



*FIG. 6*