



US00D340302S

# United States Patent [19]

[11] Patent Number: **Des. 340,302**

**Roberts, III**

[45] Date of Patent: **\*\* Oct. 12, 1993**

[54] **ADJUSTABLE LAMP**

D. 318,340 7/1991 Huang ..... D26/65  
D. 333,880 3/1993 Huang ..... D26/65

[75] Inventor: **Rockwood T. Roberts, III**, Midland Park, N.J.

*Primary Examiner*—Susan J. Lucas  
*Attorney, Agent, or Firm*—Kirschstein et al.

[73] Assignee: **C. N. Burman Co.**, Paterson, N.J.

[\*\*] Term: **14 Years**

[57] **CLAIM**

[21] Appl. No.: **889,318**

The ornamental design for an adjustable lamp, as shown.

[22] Filed: **May 28, 1992**

**DESCRIPTION**

[52] U.S. Cl. .... **D26/61**

[58] Field of Search ..... **D26/60-65;**  
**362/410-414, 417, 418, 427**

FIG. 1 is a rear perspective view of an adjustable lamp showing my new design;  
FIG. 2 is a top plan view thereof;  
FIG. 3 is a left side elevational view thereof;  
FIG. 4 is a front elevational view thereof;  
FIG. 5 is a right side elevational view thereof; and,  
FIG. 6 is a bottom plan view thereof.

[56] **References Cited**

**U.S. PATENT DOCUMENTS**

D. 310,728 9/1990 Lu ..... D26/65

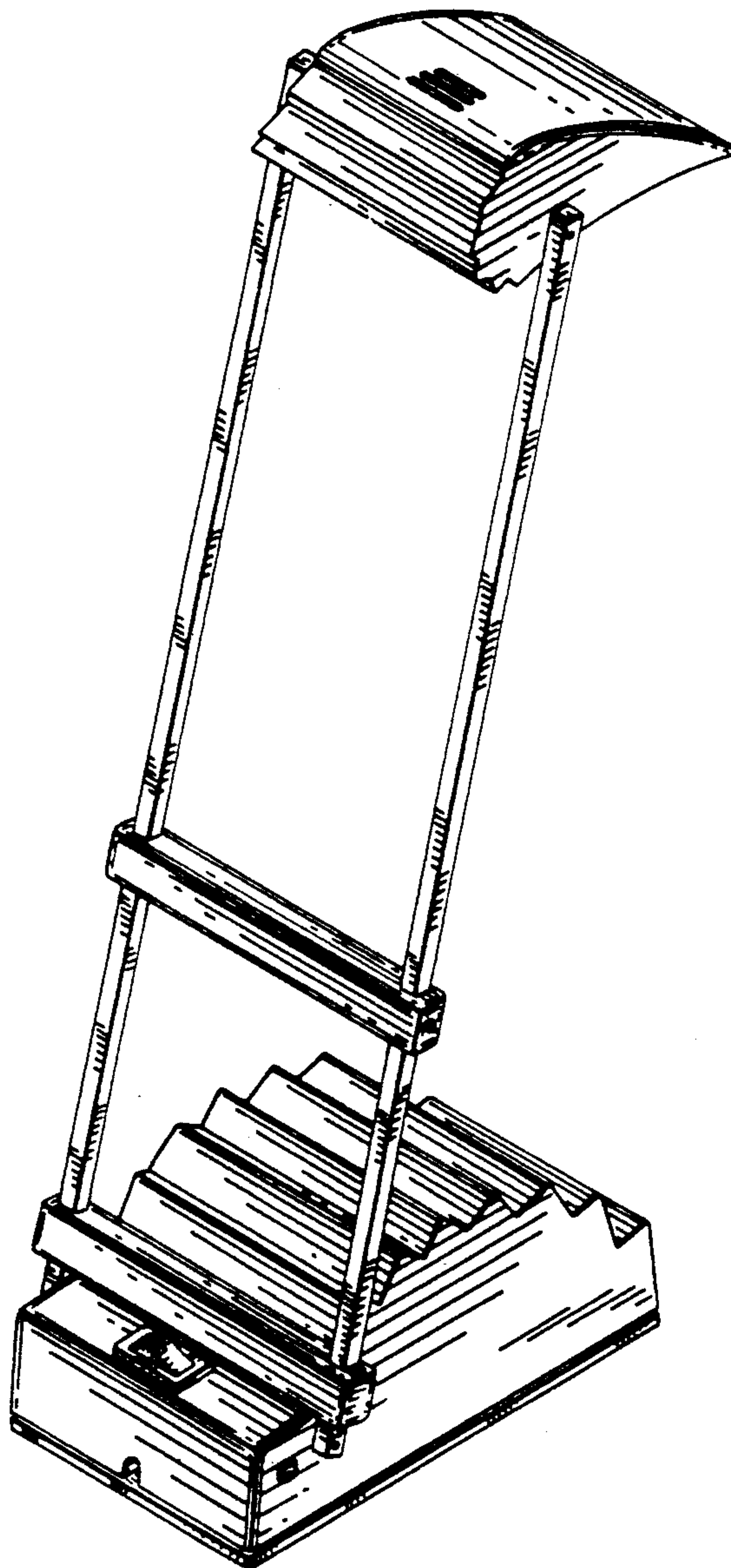


FIG. 1

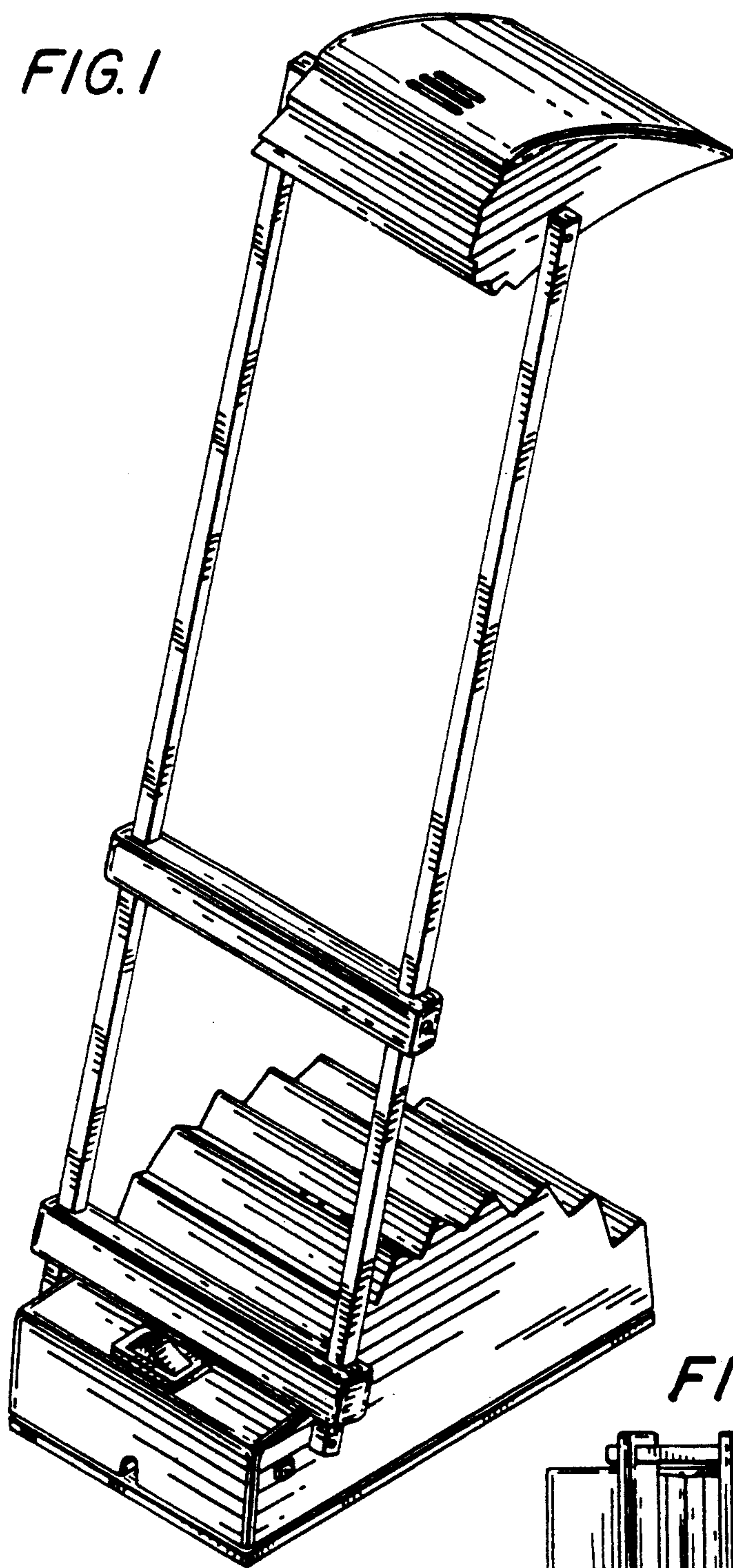
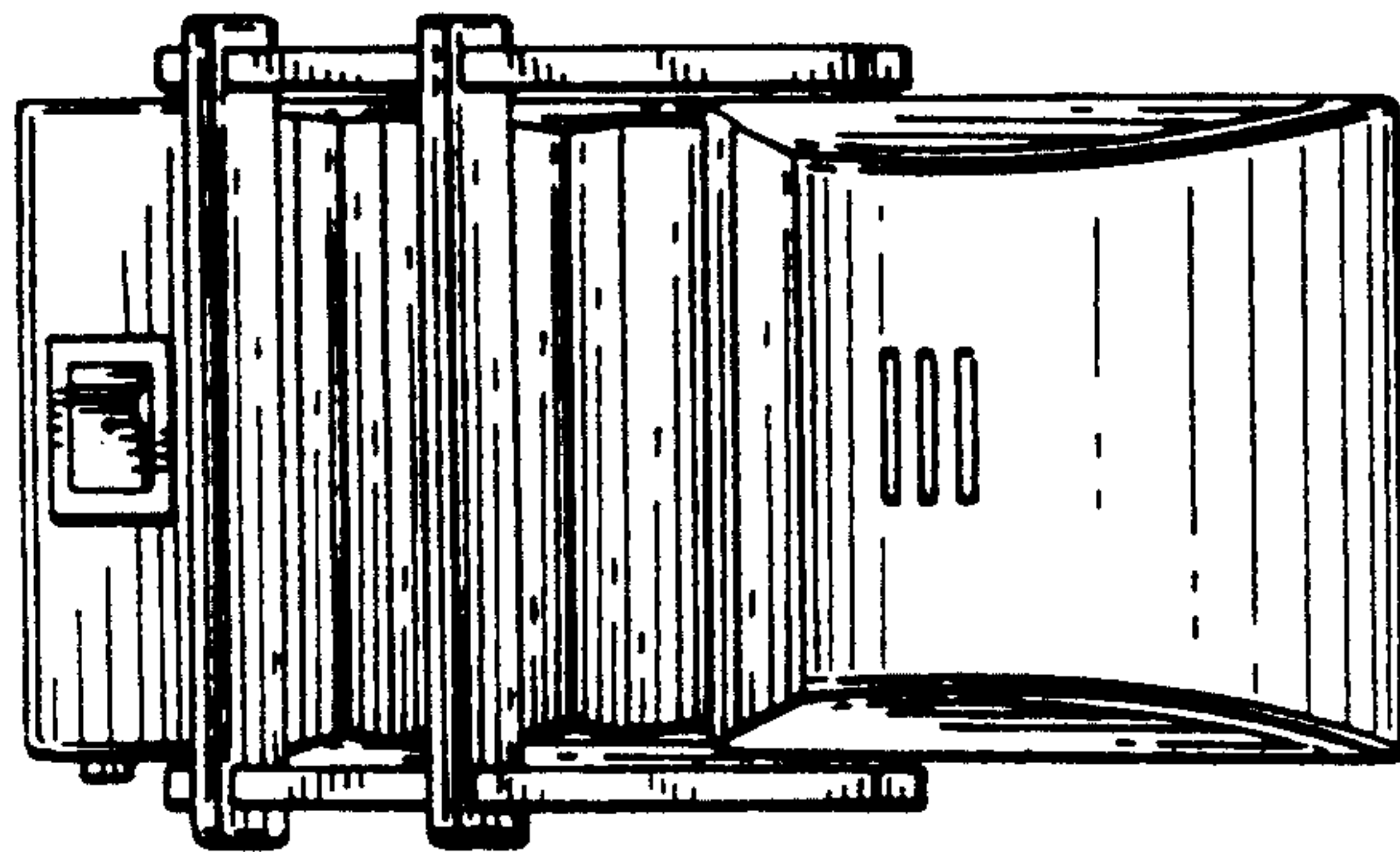
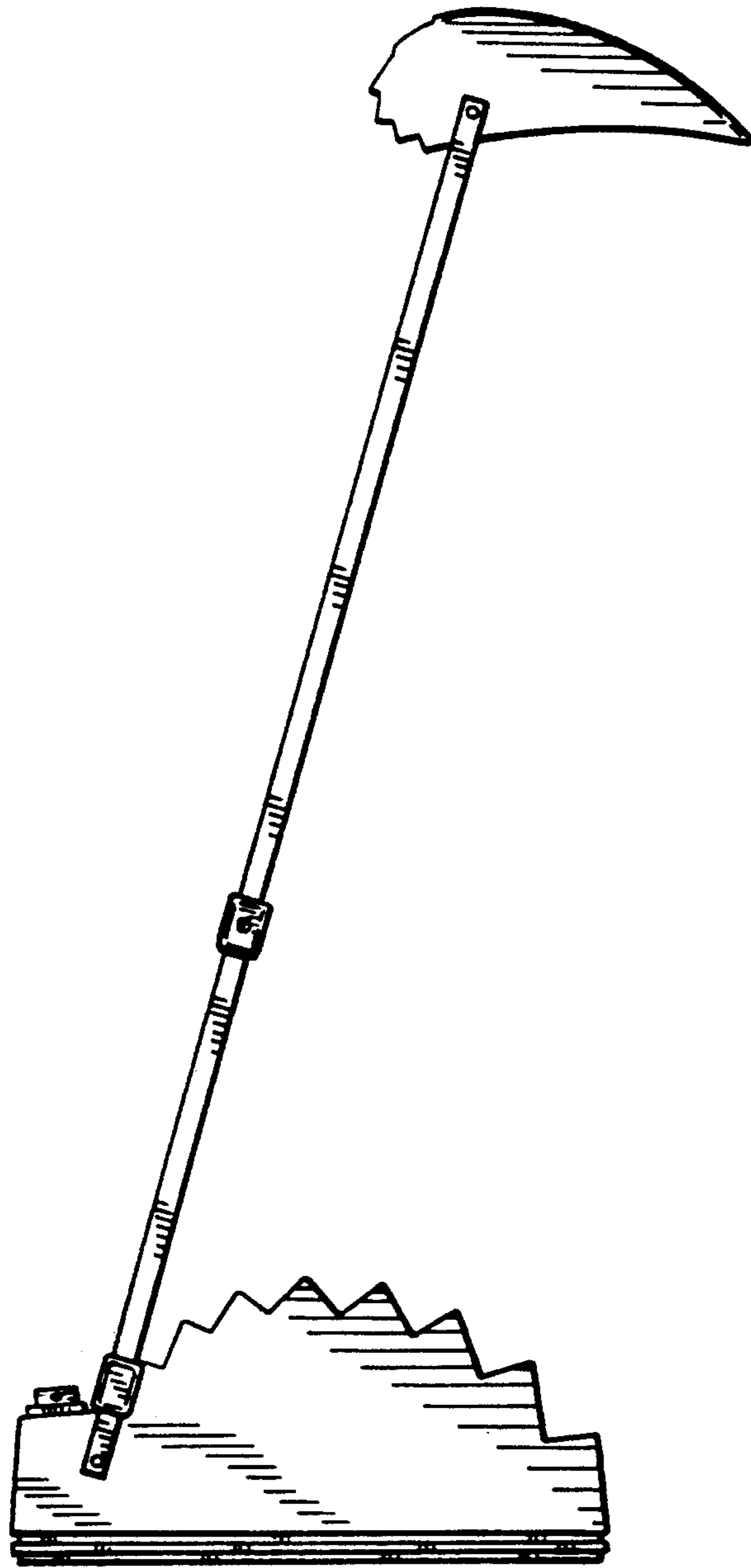
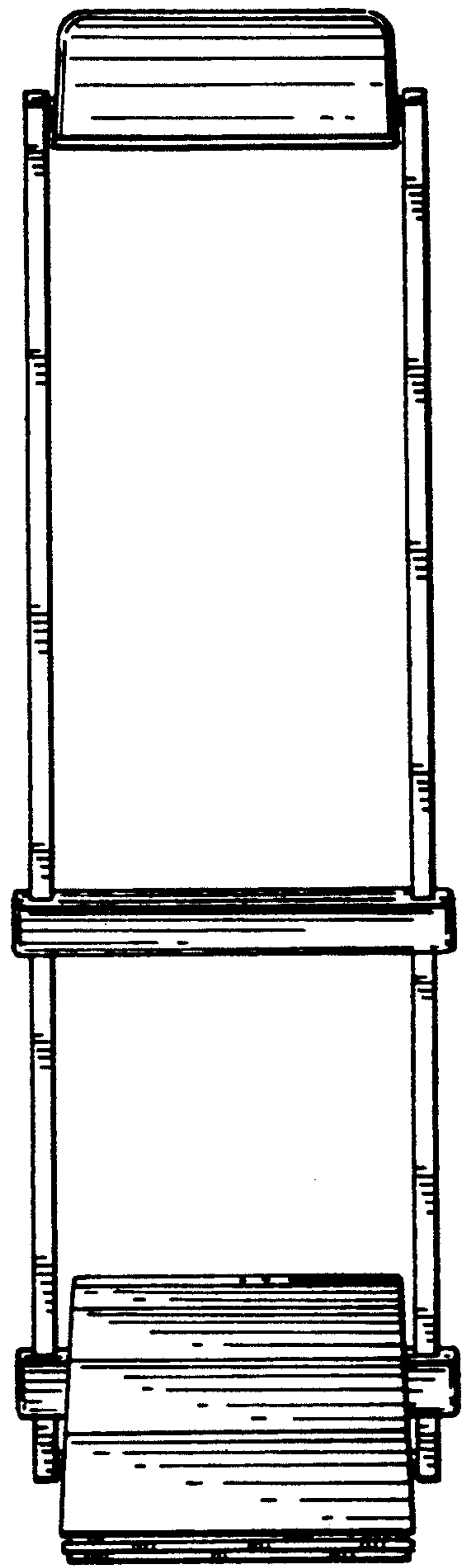


FIG. 2

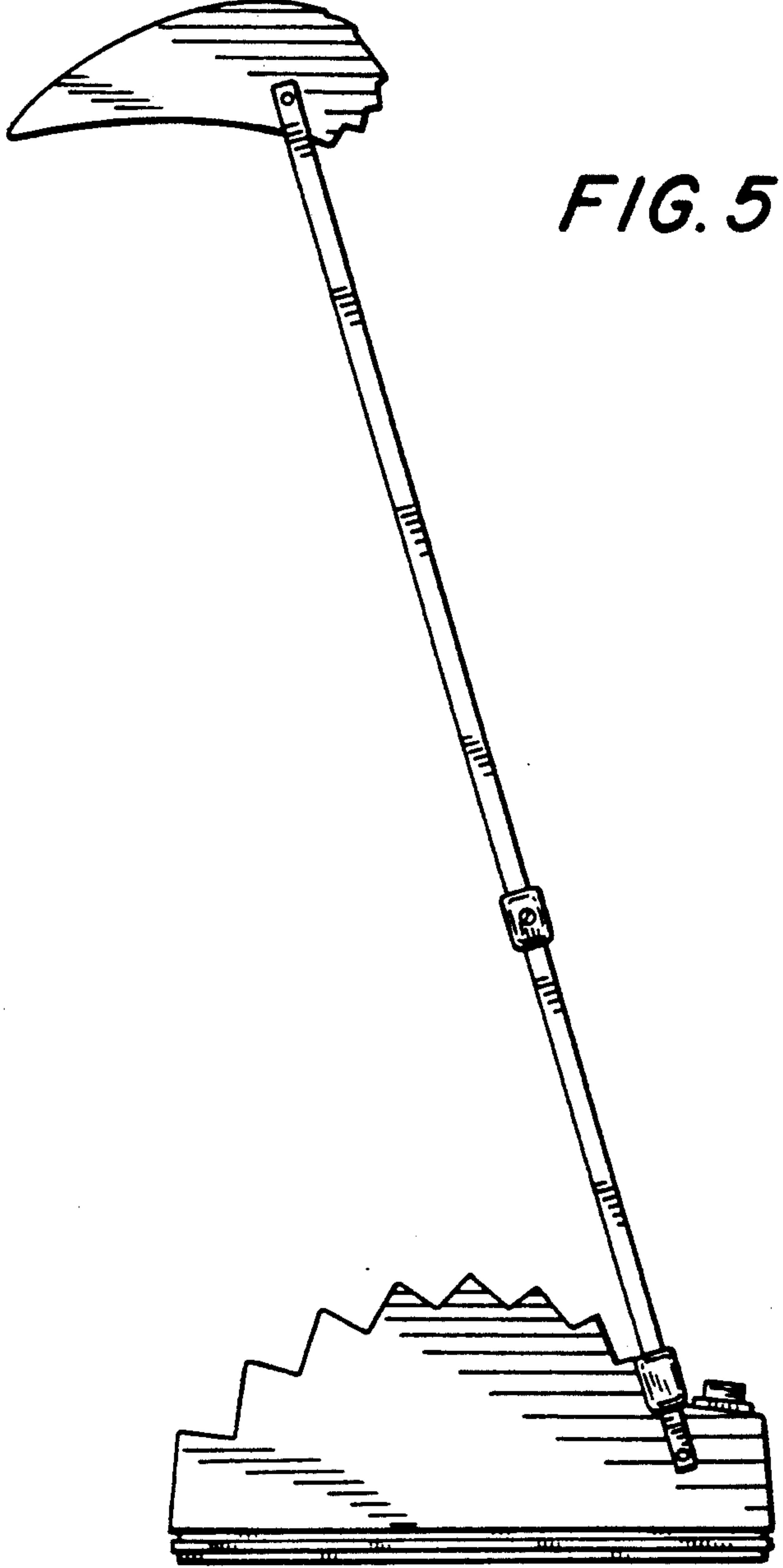




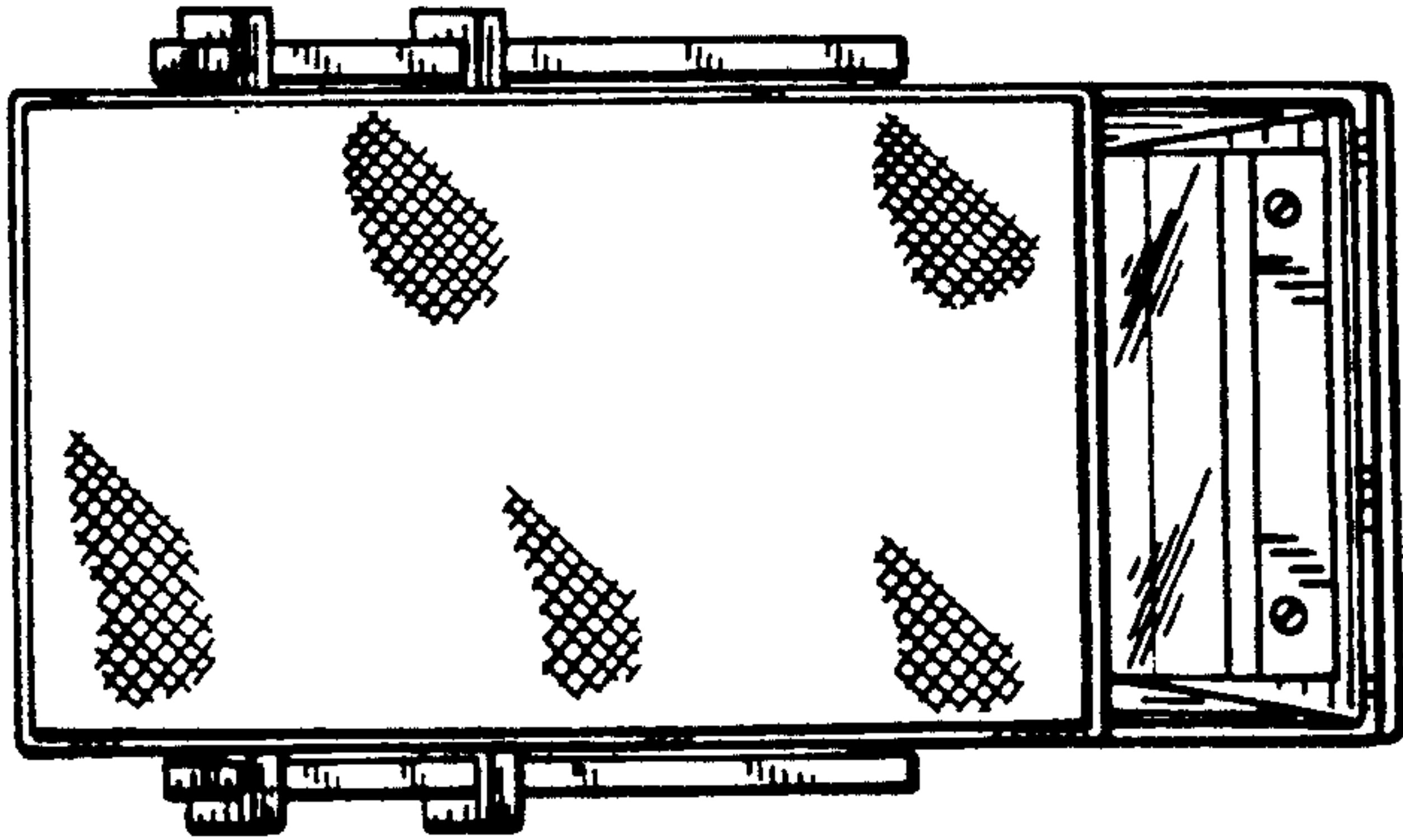
*FIG. 3*



*FIG. 4*



*FIG. 5*



*FIG. 6*