



US00D340293S

# United States Patent [19]

[11] Patent Number: **Des. 340,293**

Risi et al.

[45] Date of Patent: **\*\* Oct. 12, 1993**

[54] **MODULAR BLOCK**

[75] Inventors: **Angelo Risi; Antonio Risi**, both of Richmond Hill, Canada

[73] Assignee: **Rothbury Investments Limited**, Thornhill, Canada

[\*\*] Term: **14 Years**

[21] Appl. No.: **860,062**

[22] Filed: **Mar. 30, 1992**

[30] **Foreign Application Priority Data**

Sep. 30, 1991 [CA] Canada ..... 30-09-91-3  
 [52] U.S. Cl. .... **D25/113**  
 [58] Field of Search ..... D25/112-118,  
 D25/138, 149, 151; 52/590, 593, 594, 596, 602,  
 605, 608, 610; 404/272, 273, 284, 286

[56] **References Cited**

**U.S. PATENT DOCUMENTS**

D. 299,069	12/1988	Risi et al. ....	D25/113
D. 305,938	2/1990	Risi et al. ....	D25/113
D. 320,088	9/1991	Risi et al. ....	D25/113
788,430	4/1905	Schall .....	52/610
1,032,858	7/1912	Pettit .....	52/594
1,086,295	2/1914	Hillman .....	52/610
1,773,579	8/1930	Flath .....	405/273
2,083,987	6/1937	Davis .....	52/593
3,845,593	11/1974	Zen .....	52/593
3,936,989	2/1976	Hancock .....	52/593
4,367,615	1/1983	Feldman .....	52/594

*Primary Examiner*—A. Hugo Word  
*Assistant Examiner*—Doris Clark

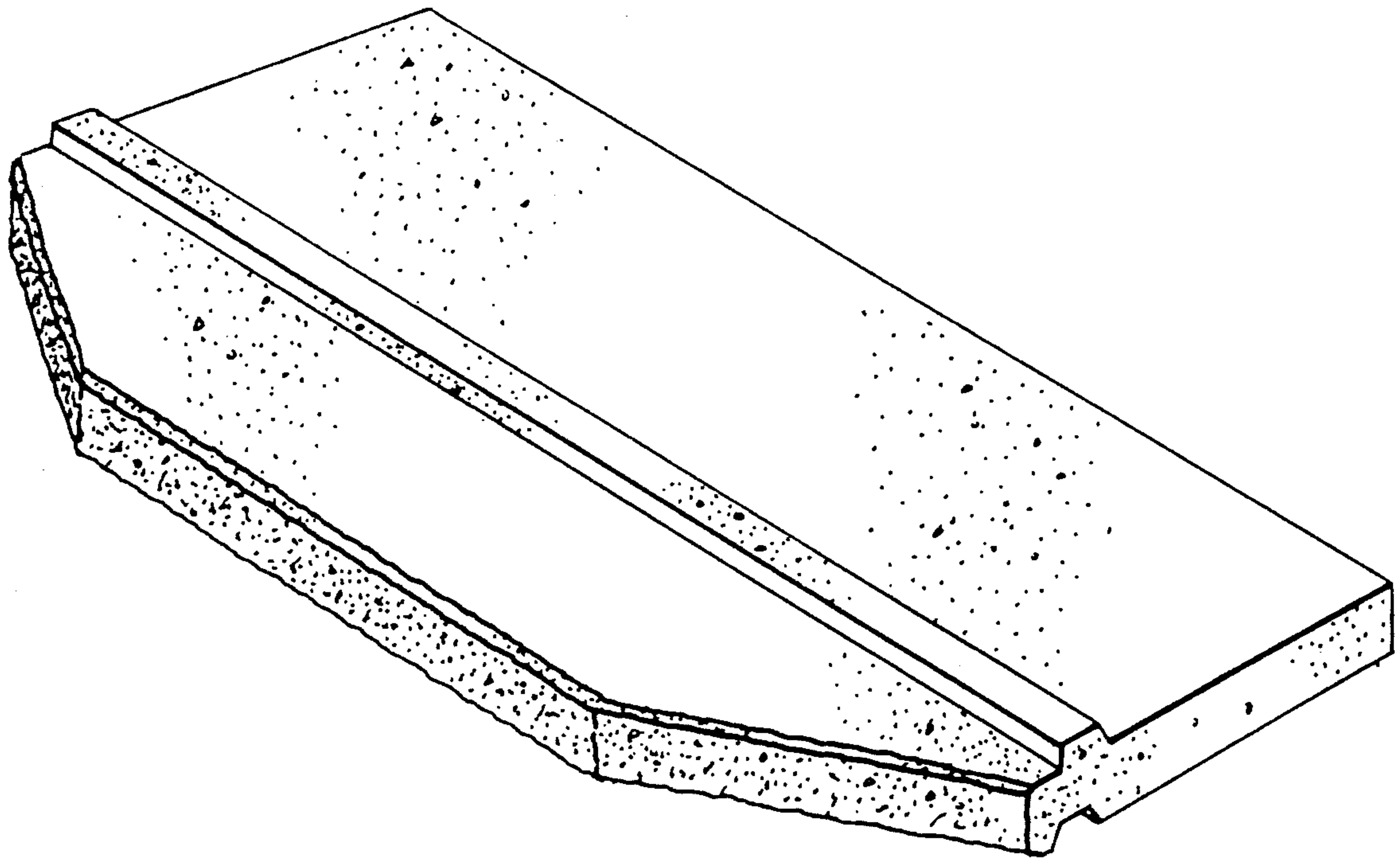
*Attorney, Agent, or Firm*—Weldon F. Green

[57] **CLAIM**

The ornamental design for a modular block, as shown and described.

**DESCRIPTION**

FIG. 1 is a top perspective view of a modular block showing our new design;  
 FIG. 2 is a bottom perspective view thereof;  
 FIG. 3 is a top plan view thereof;  
 FIG. 4 is a side elevational view thereof;  
 FIG. 5 is a front elevational view thereof;  
 FIG. 6 is a top perspective view of a second embodiment of a modular block showing our new design;  
 FIG. 7 is a bottom perspective view thereof;  
 FIG. 8 is a top plan view thereof;  
 FIG. 9 is a front elevational view thereof;  
 FIG. 10 is a top perspective view of a third embodiment of a modular block showing our new design;  
 FIG. 11 is a bottom perspective view thereof;  
 FIG. 12 is a top plan view thereof;  
 FIG. 13 is a front elevational view thereof;  
 FIG. 14 is a top perspective view of a fourth embodiment of a modular block showing our new design;  
 FIG. 15 is a bottom perspective view thereof;  
 FIG. 16 is a top plan view thereof;  
 FIG. 17 is a side elevational view thereof;  
 FIG. 18 is a front elevational view thereof;  
 FIG. 19 is a top perspective view of a fifth embodiment of a modular block showing our new design;  
 FIG. 20 is a bottom perspective view thereof;  
 FIG. 21 is a top plan view thereof;  
 FIG. 22 is a side elevational view thereof; and,  
 FIG. 23 is a front elevational view thereof.



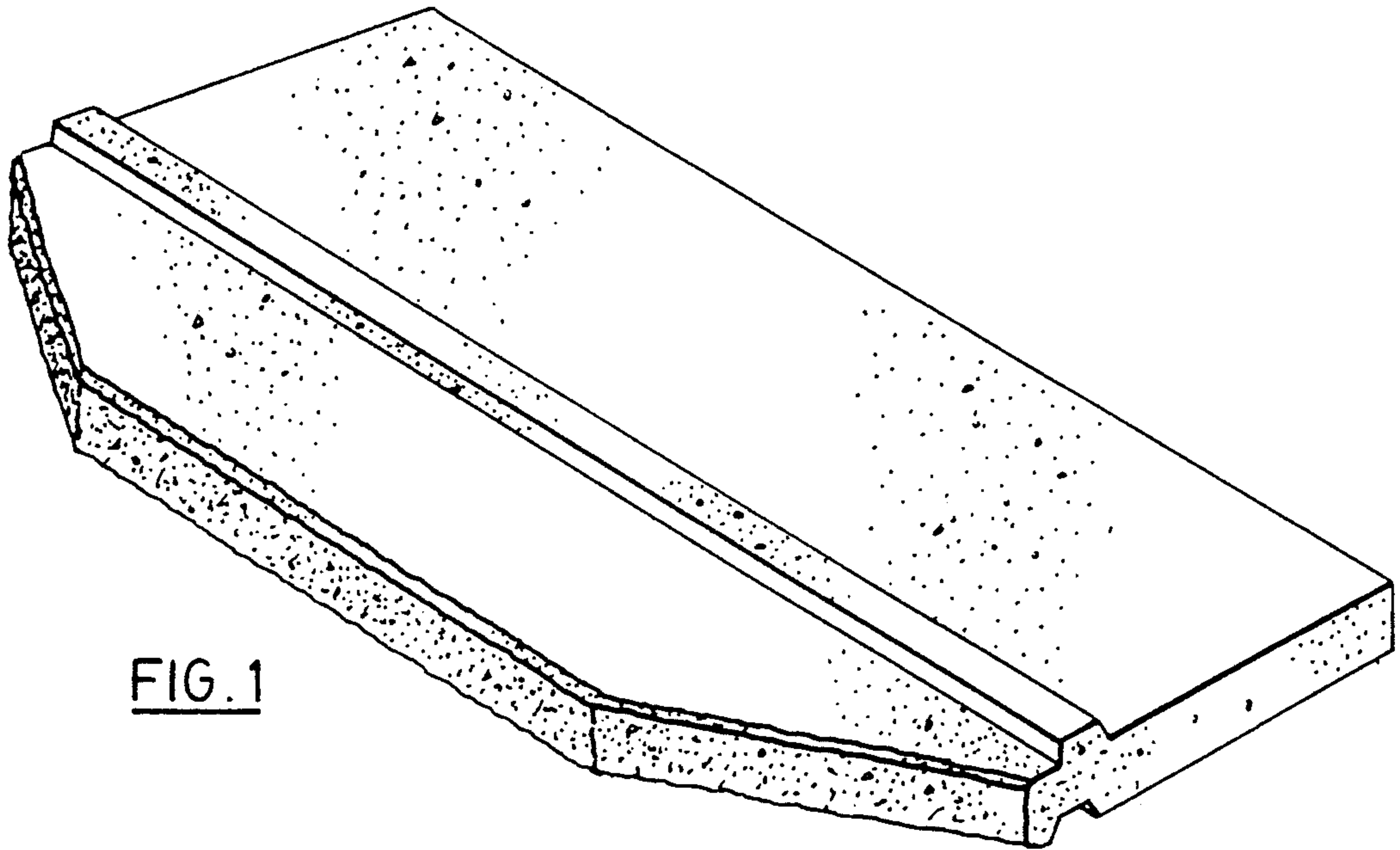


FIG. 1

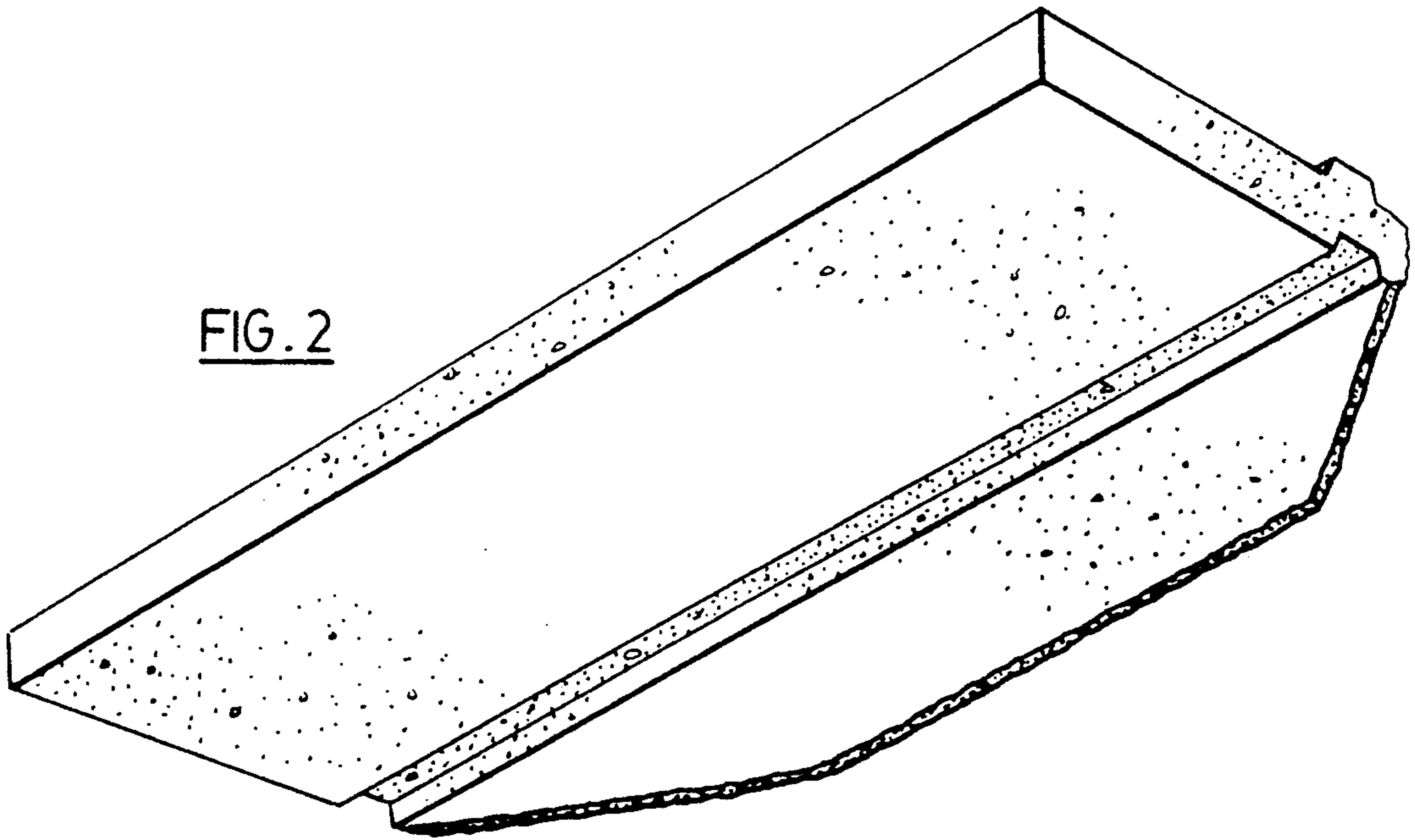


FIG. 2



FIG. 4

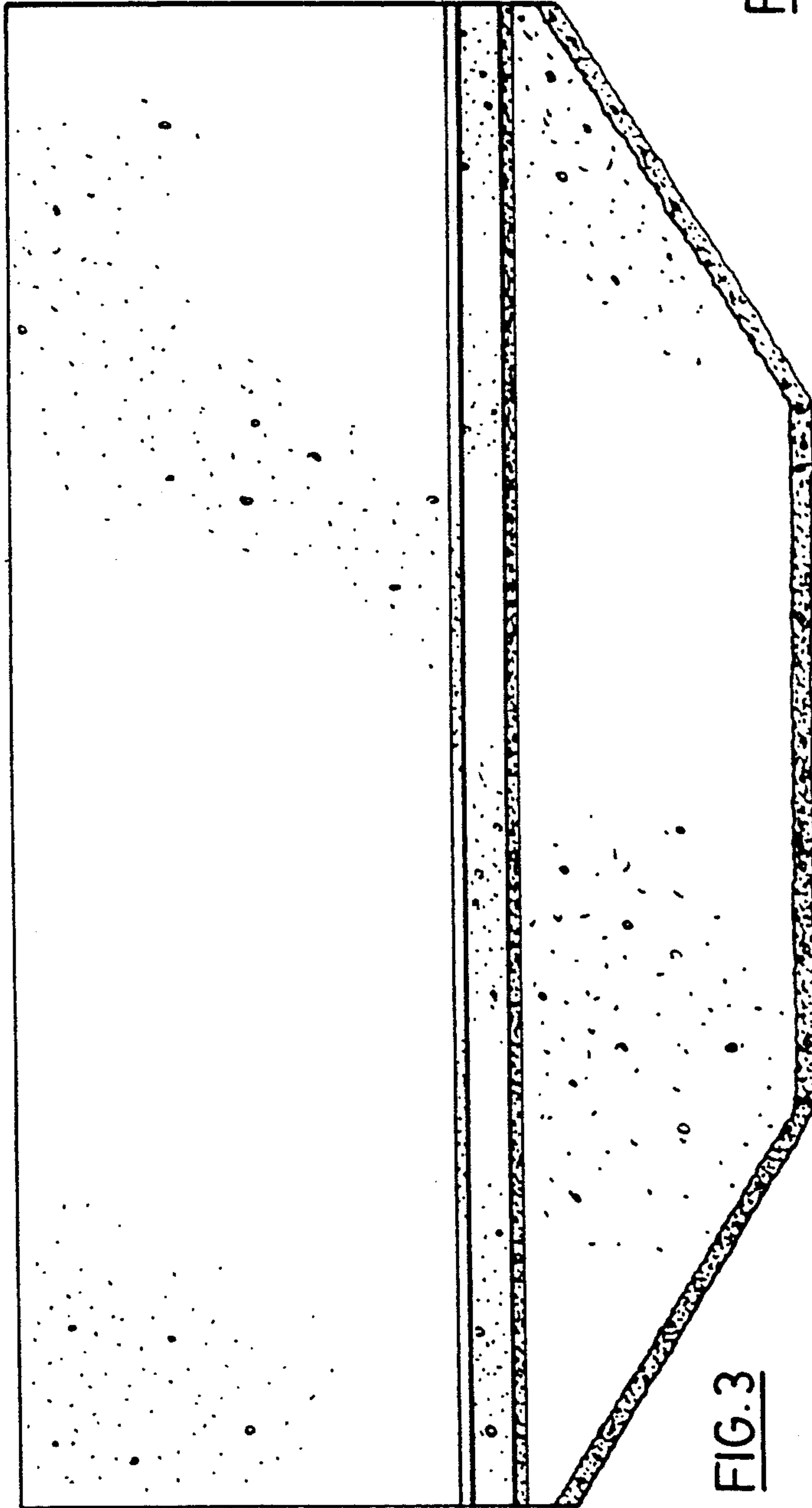


FIG. 3



FIG. 5



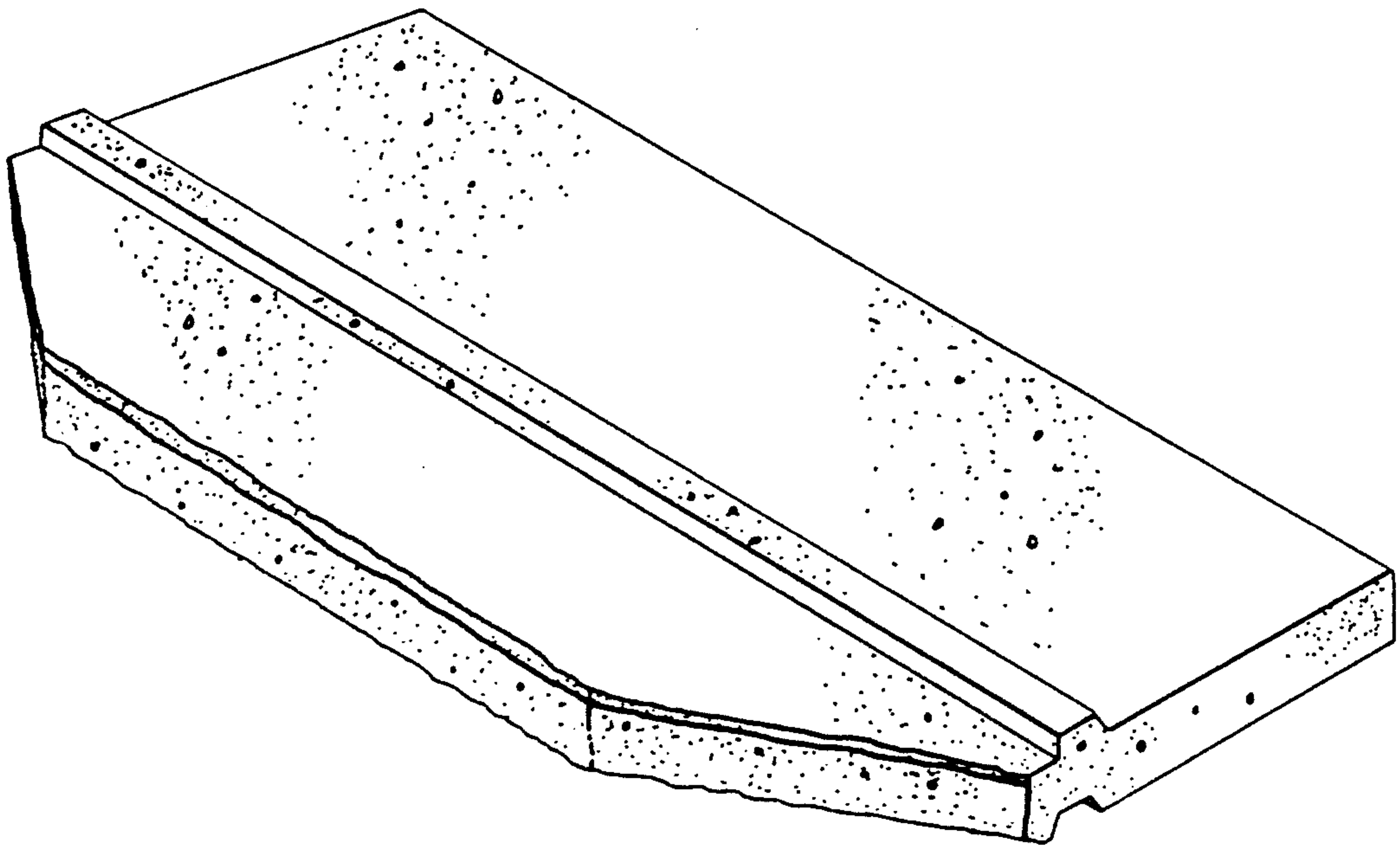


FIG. 6

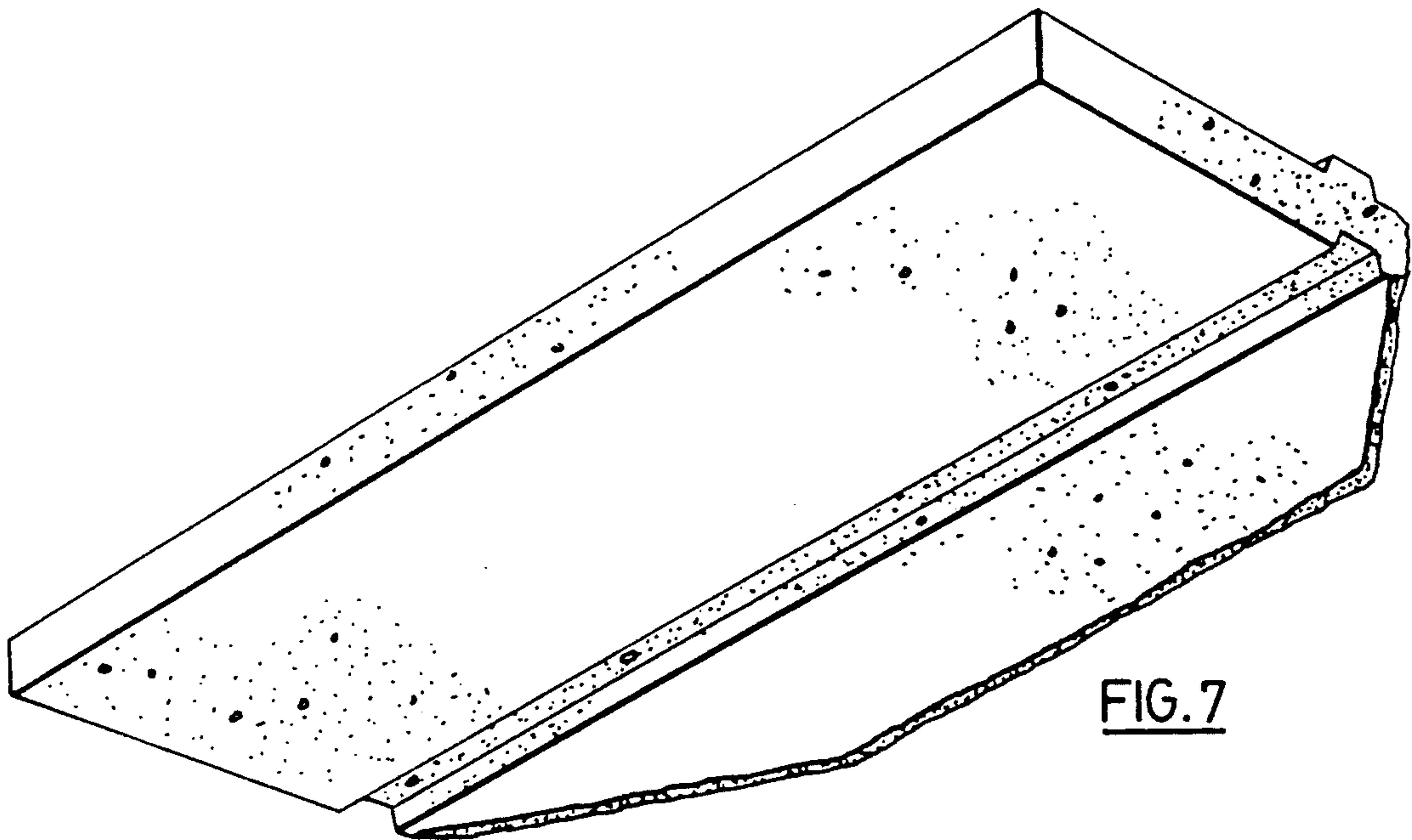


FIG. 7

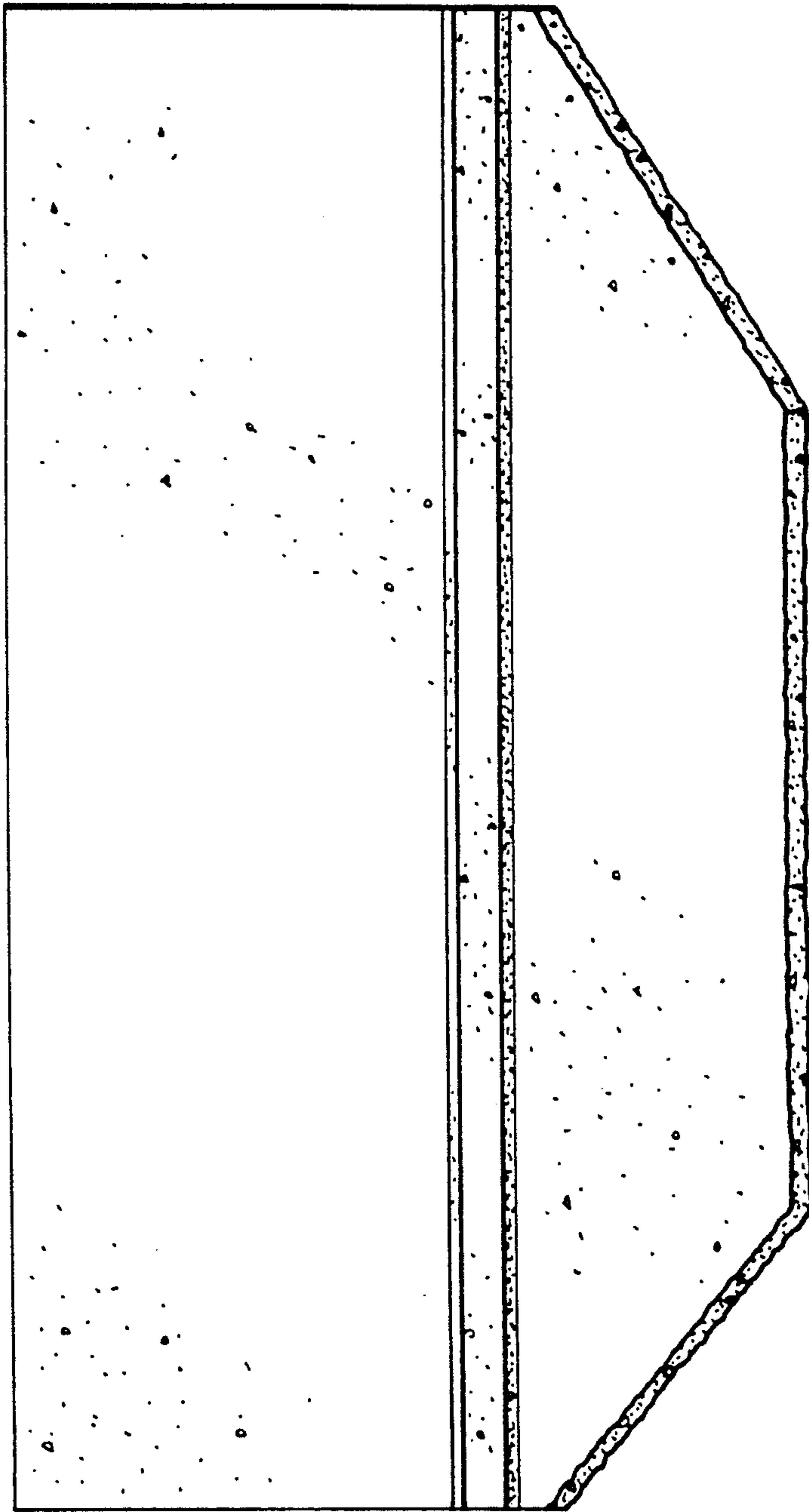


FIG. 8

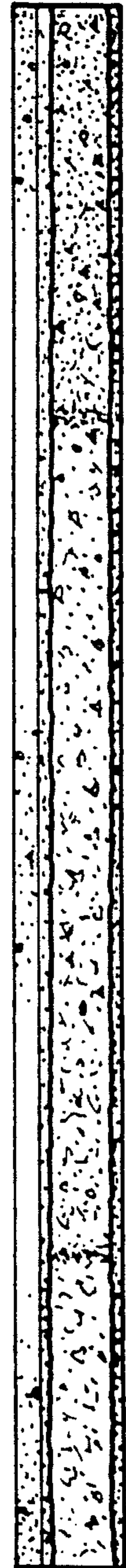


FIG. 9

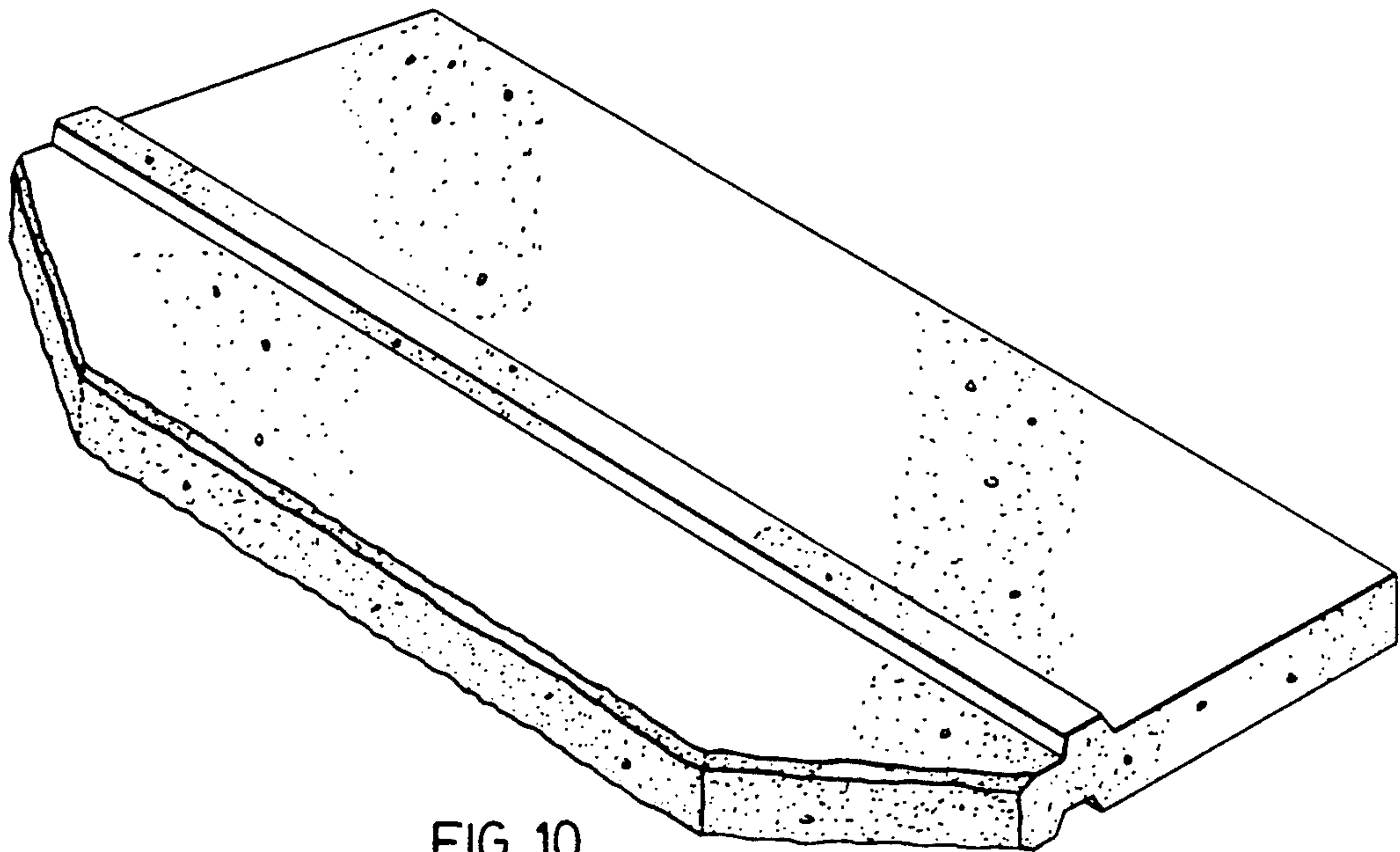


FIG. 10

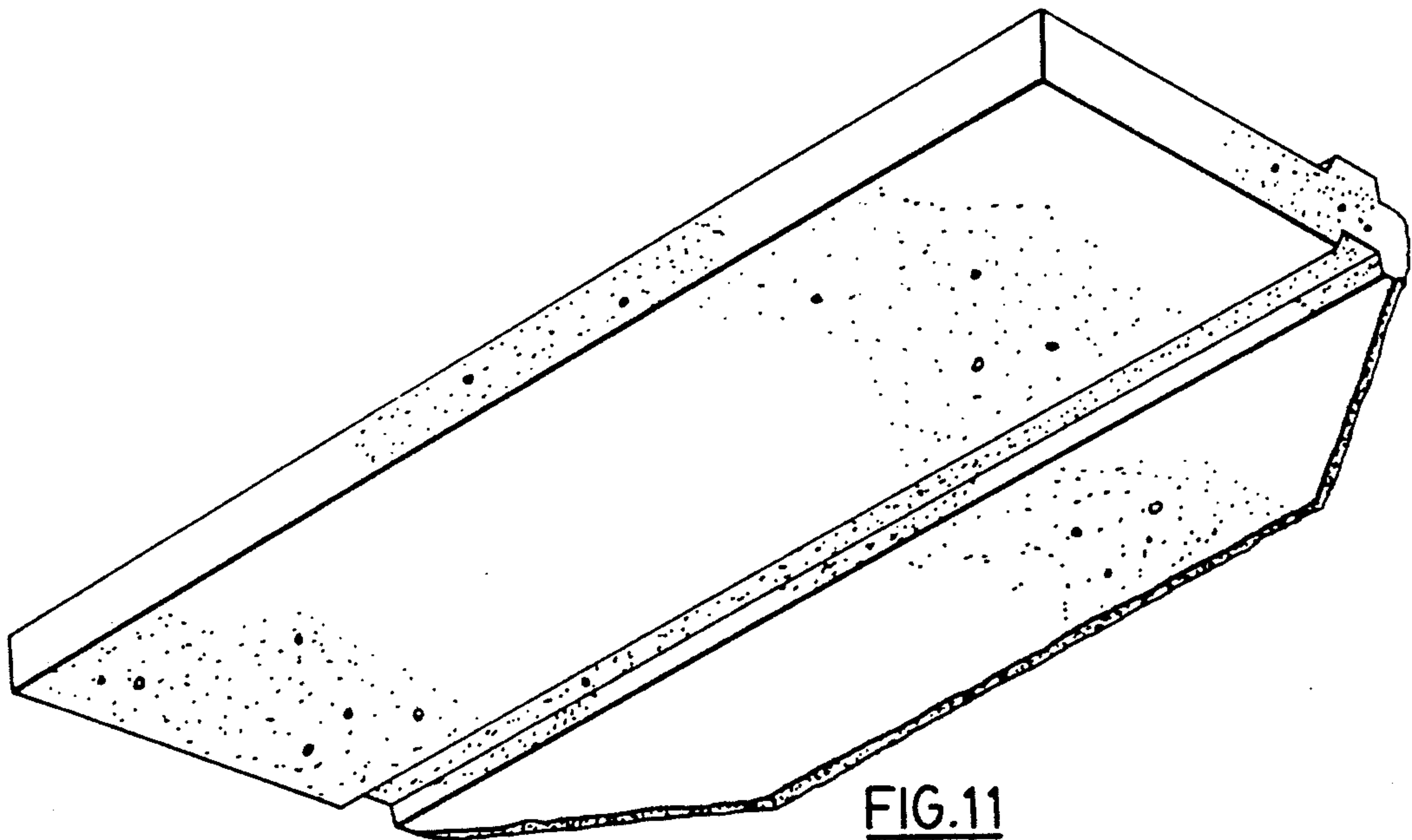


FIG. 11

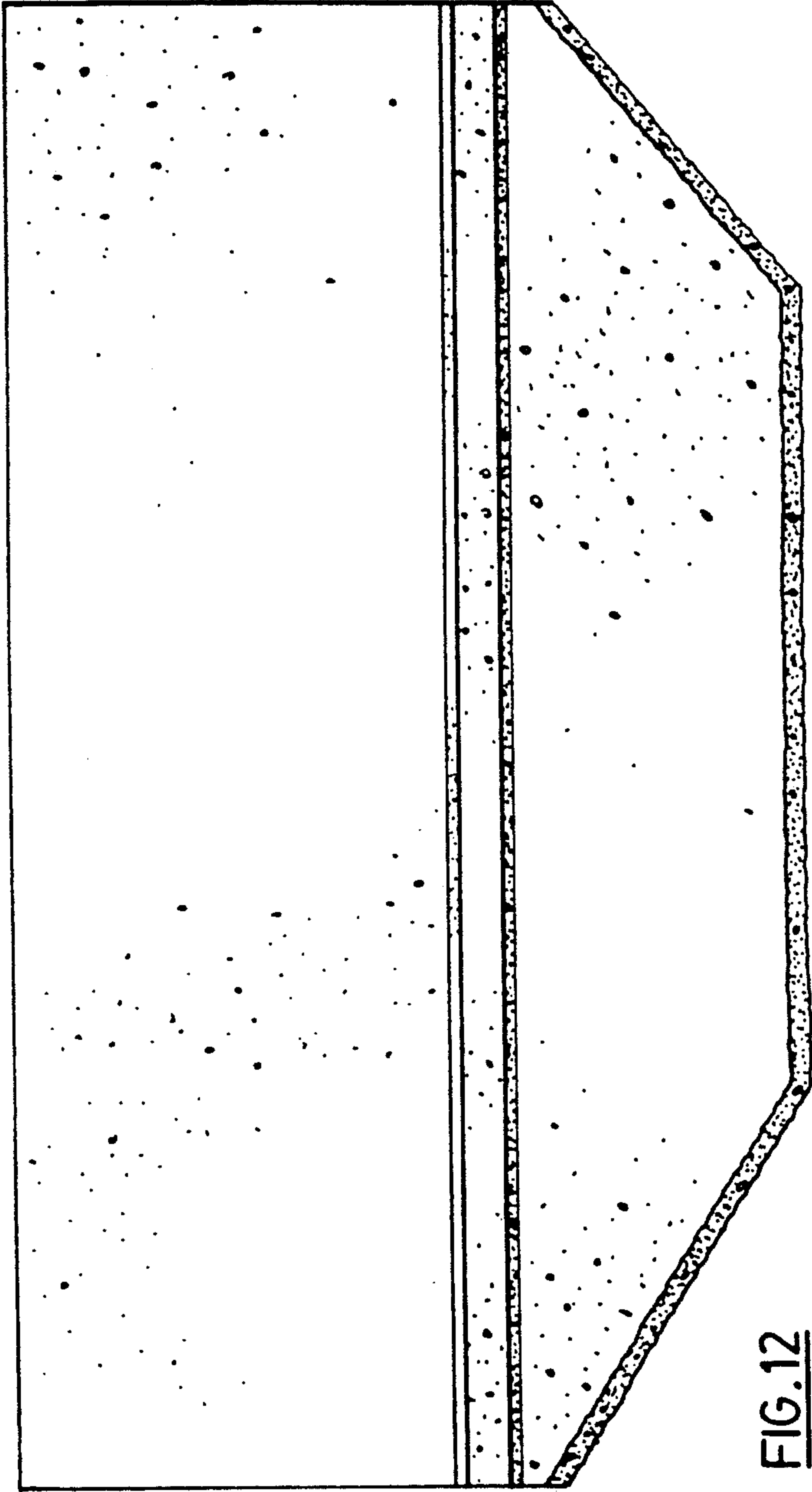


FIG. 12

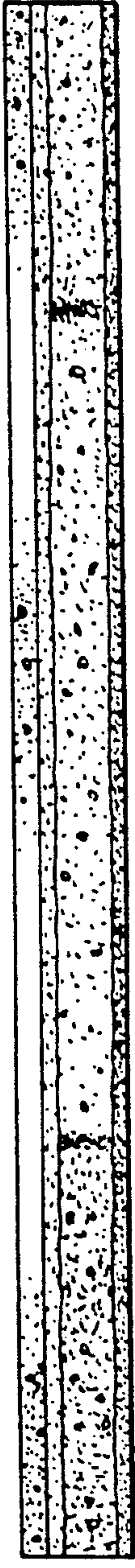


FIG. 13



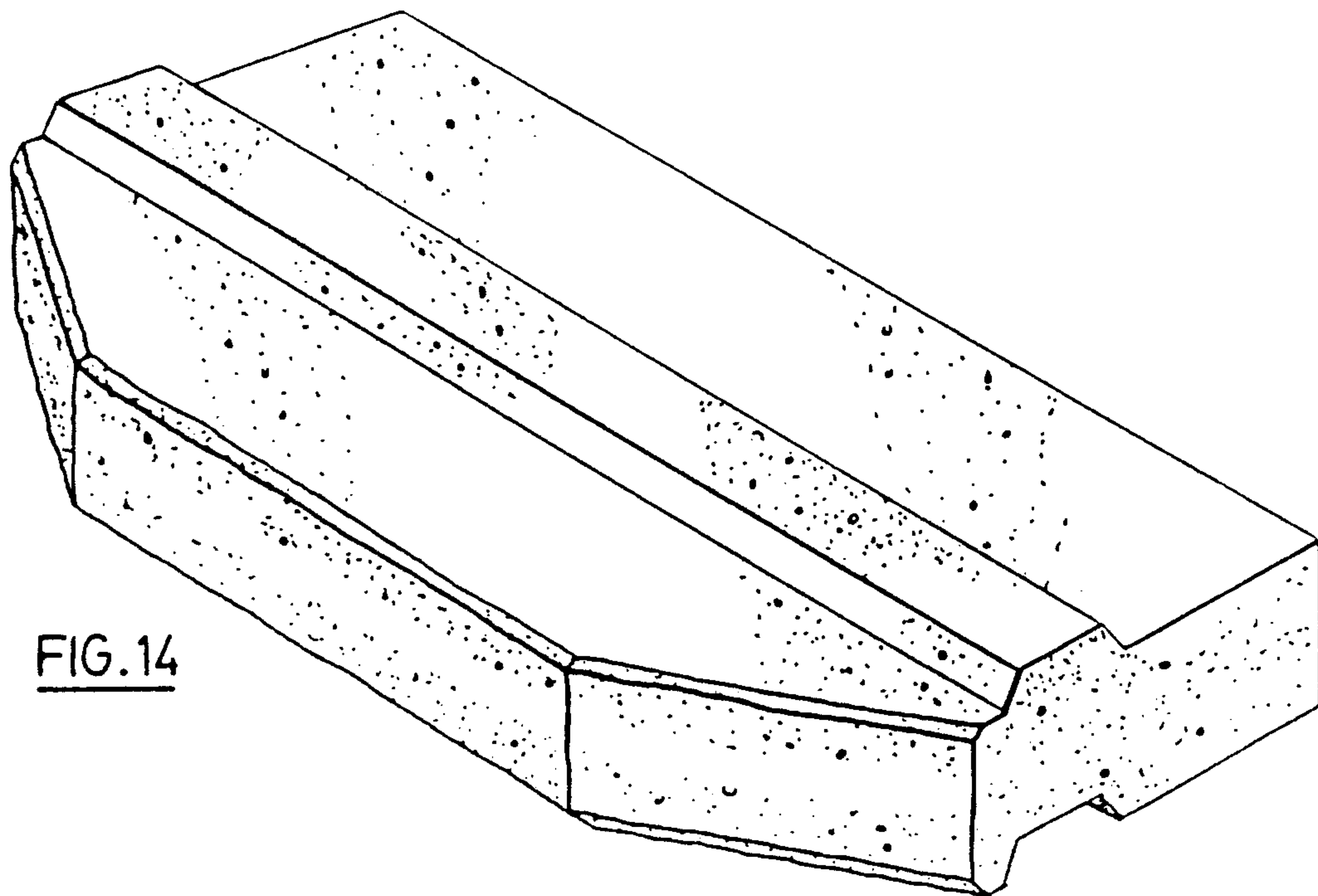


FIG. 14

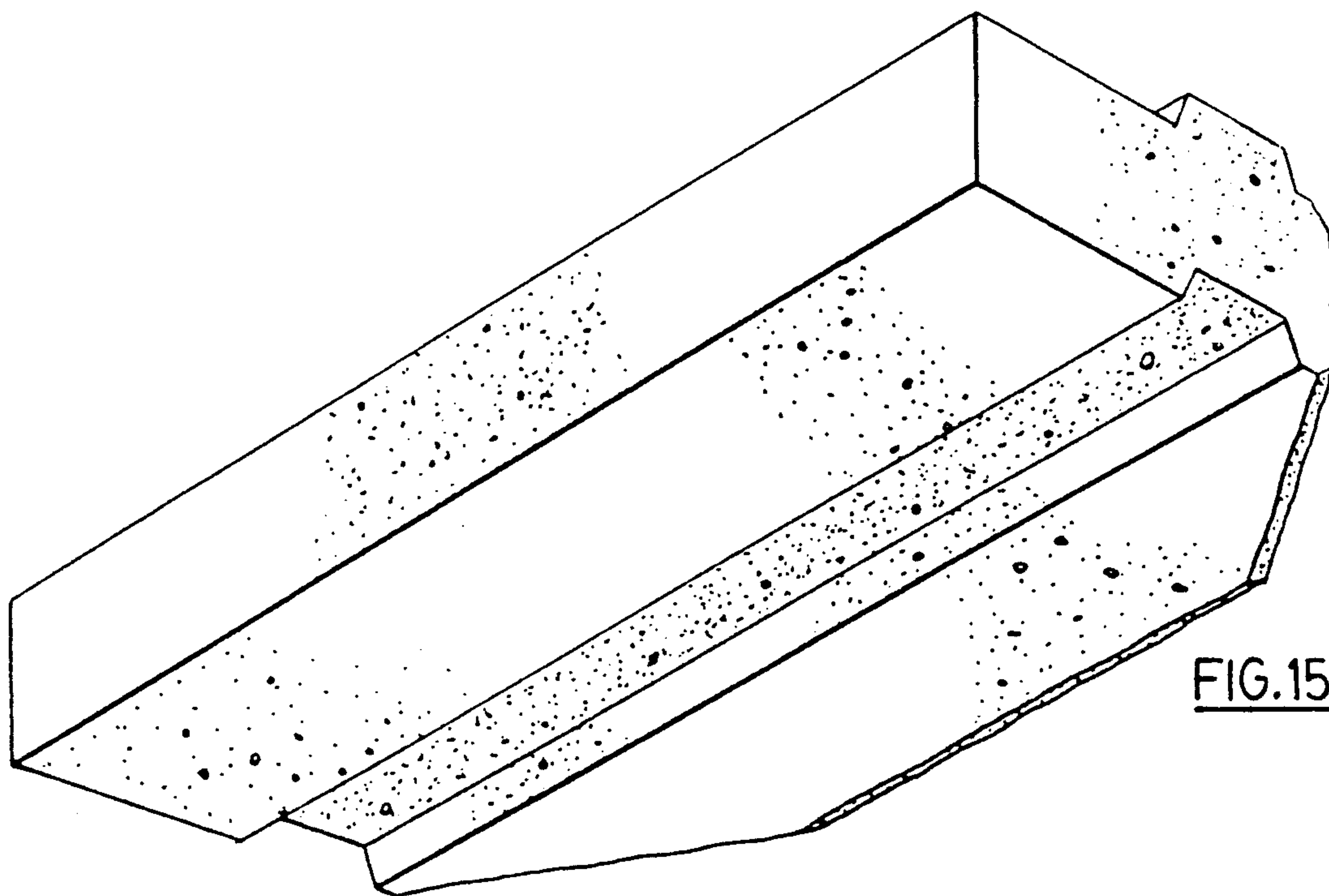


FIG. 15



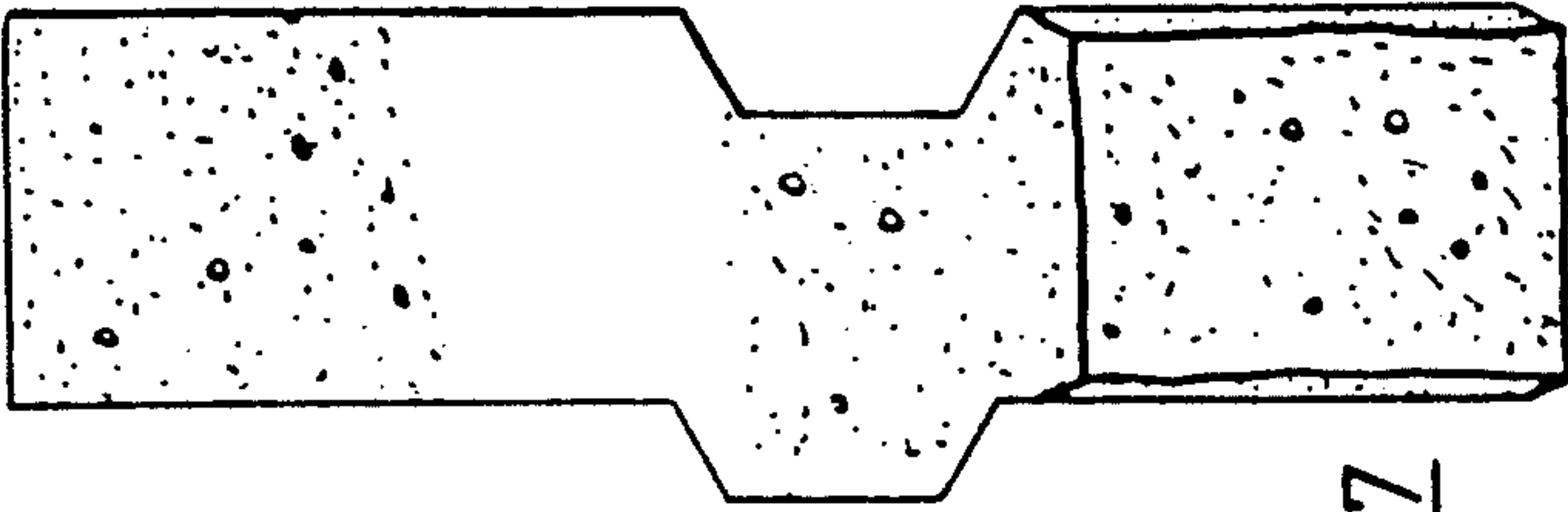


FIG.17

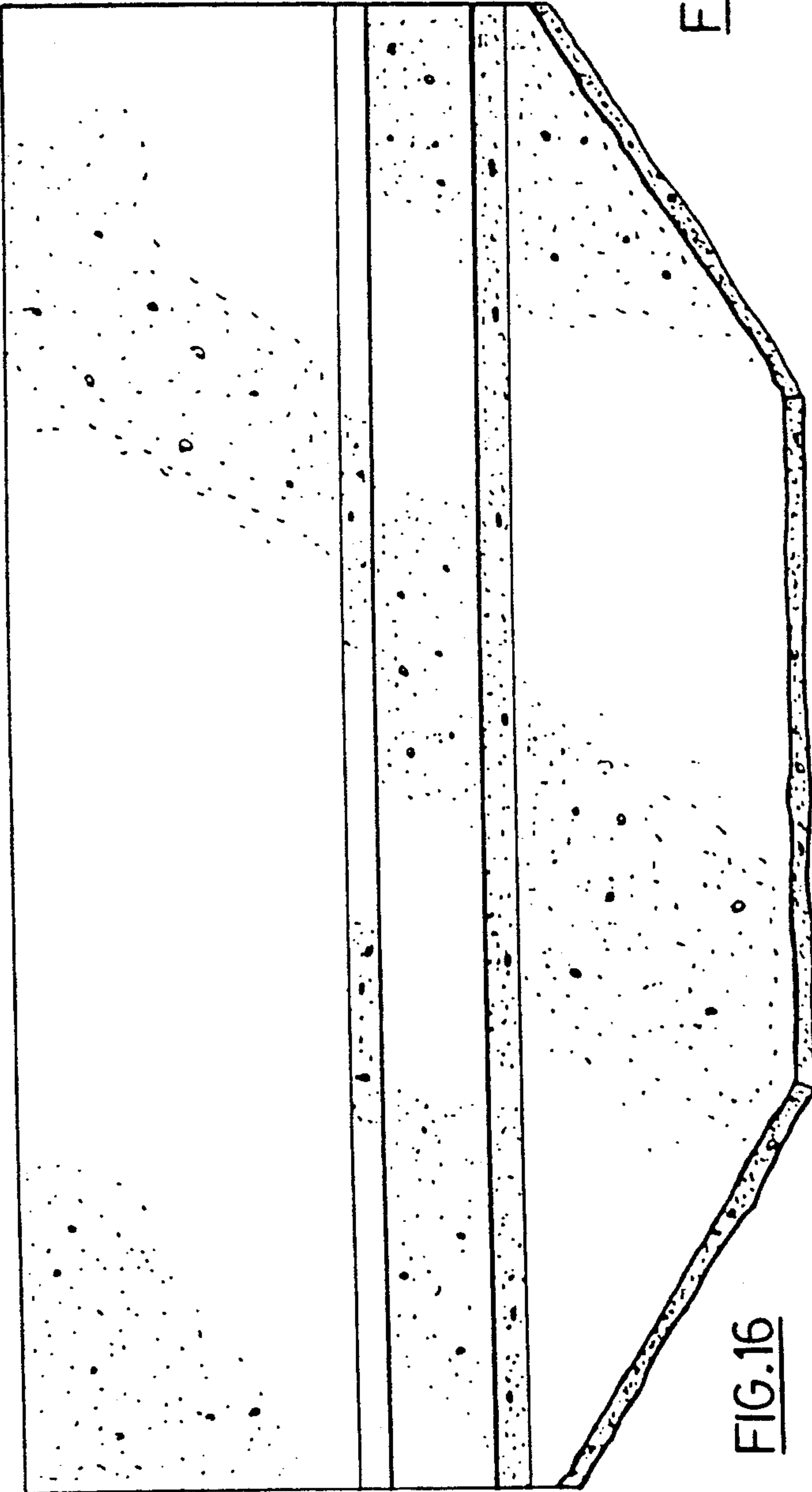


FIG.16

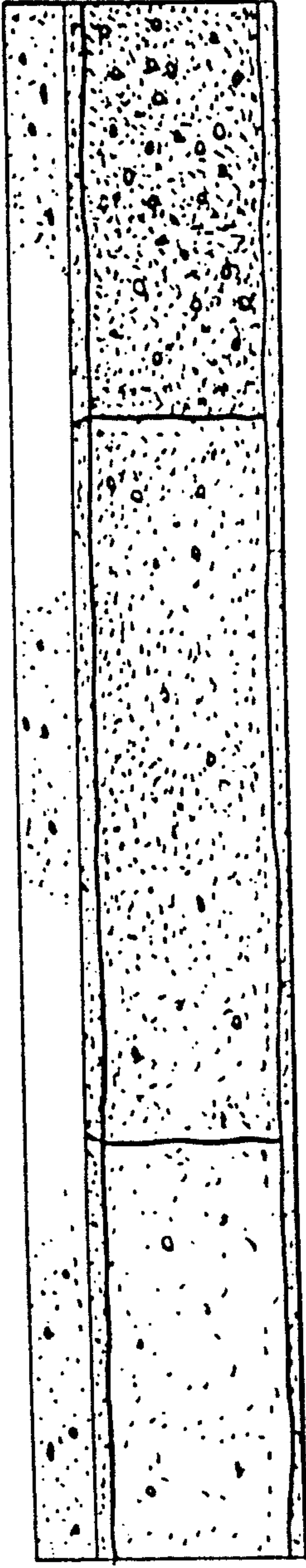


FIG.18

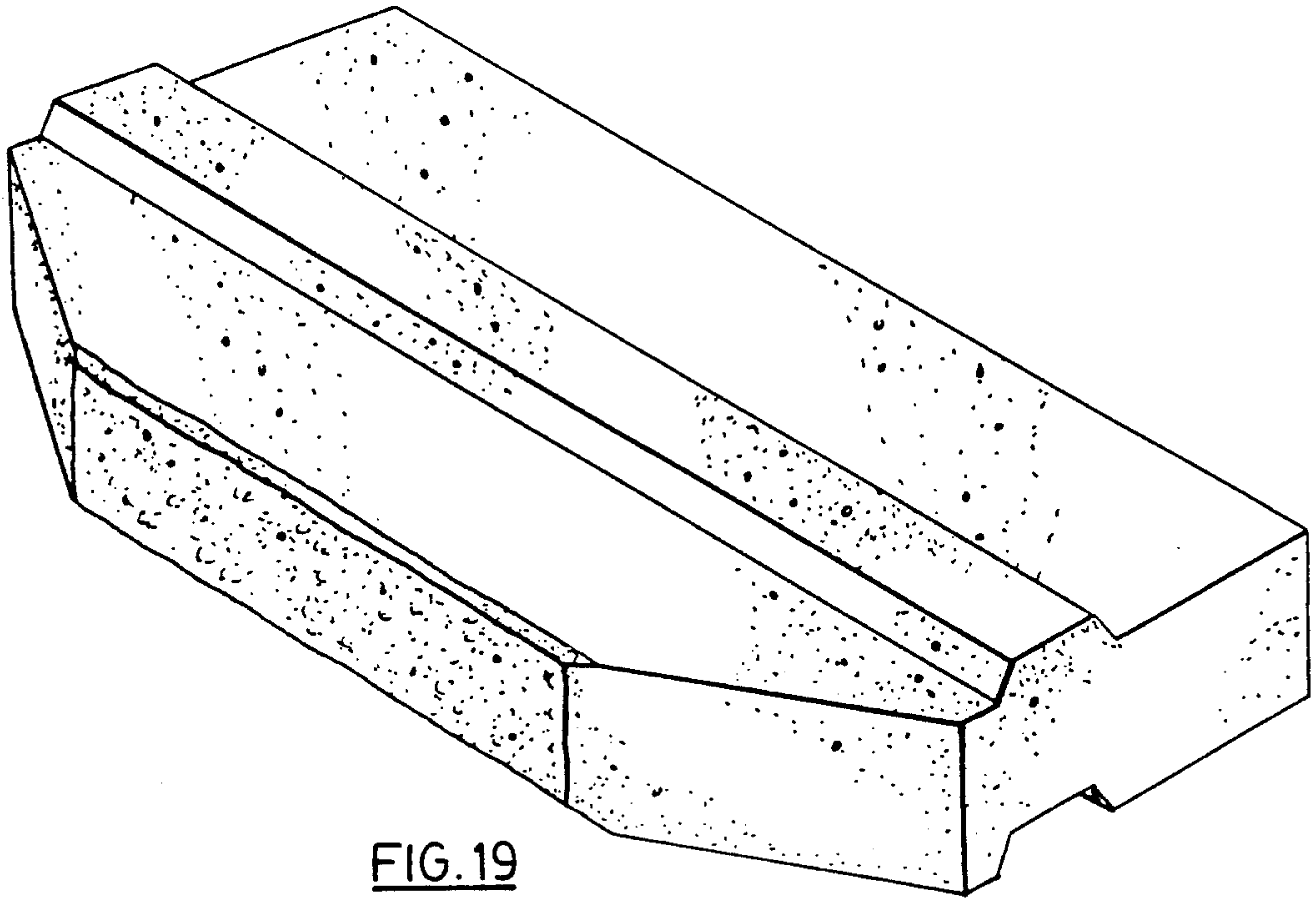


FIG. 19

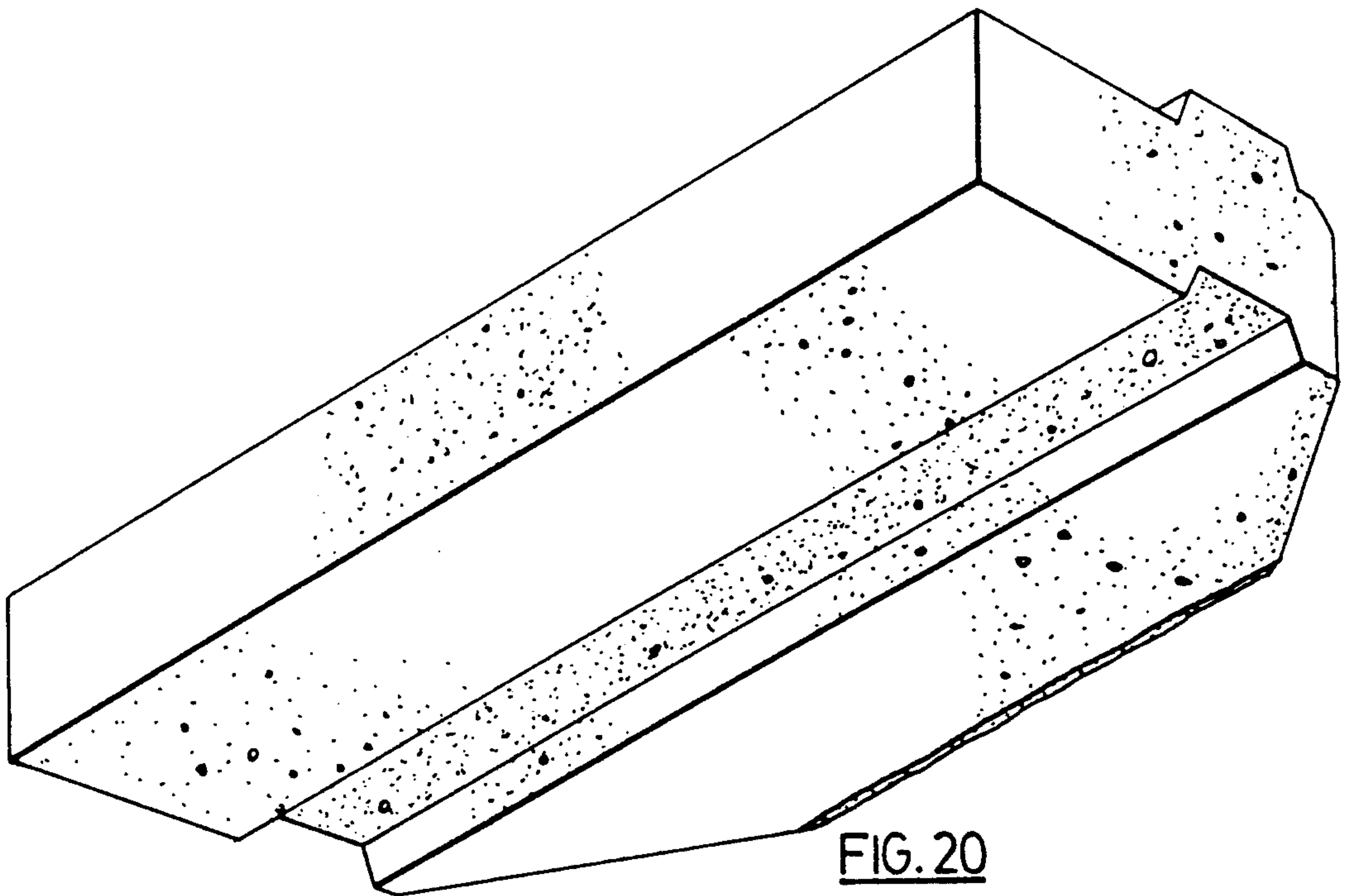


FIG. 20

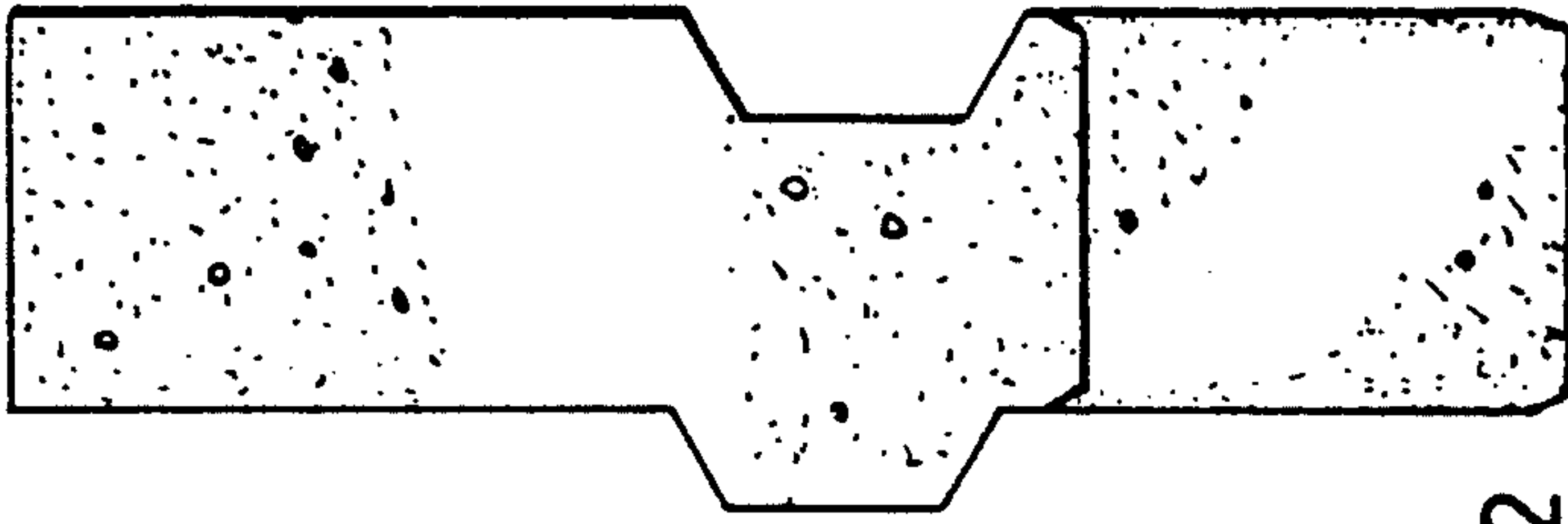


FIG. 22

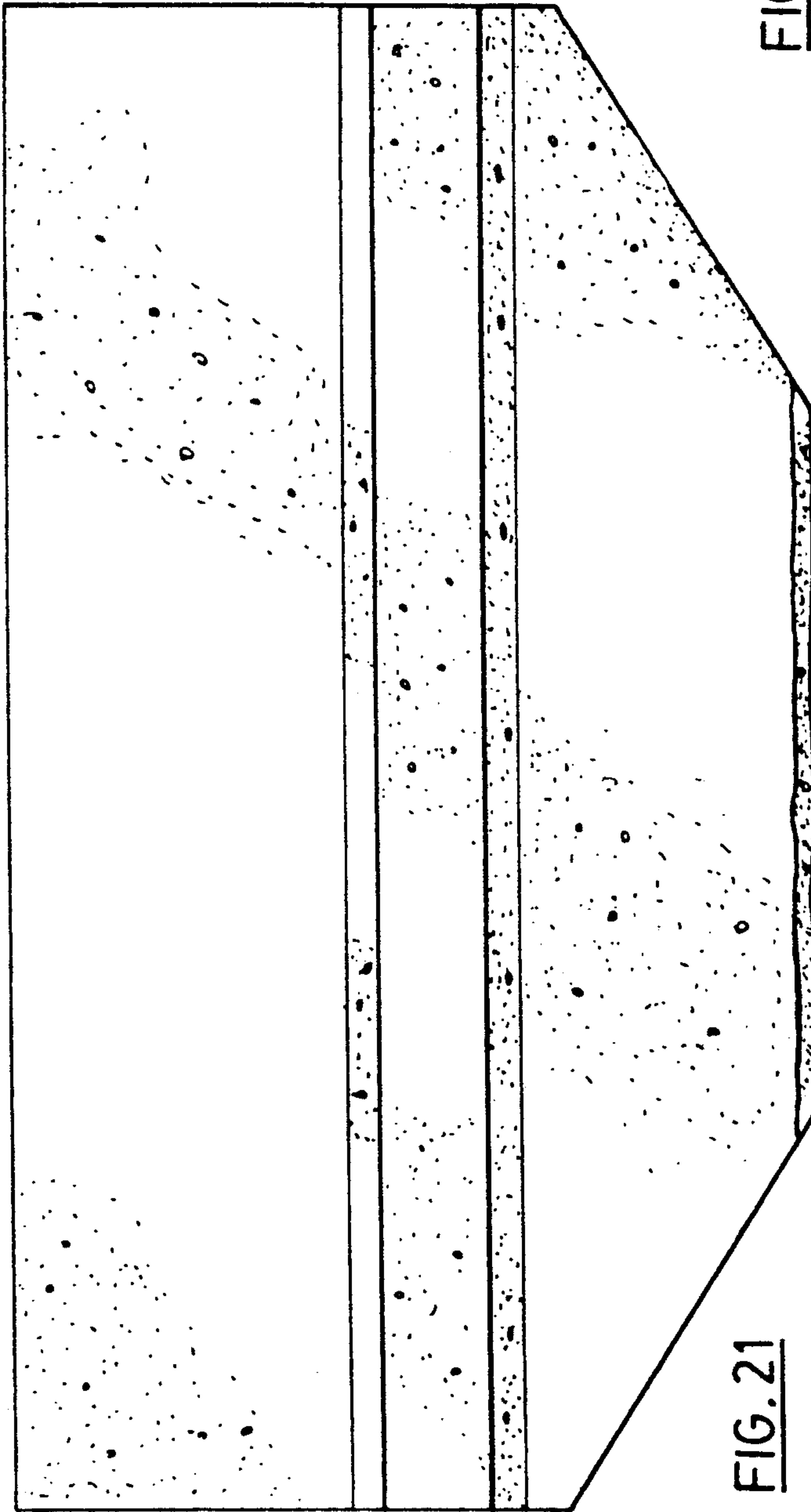


FIG. 21

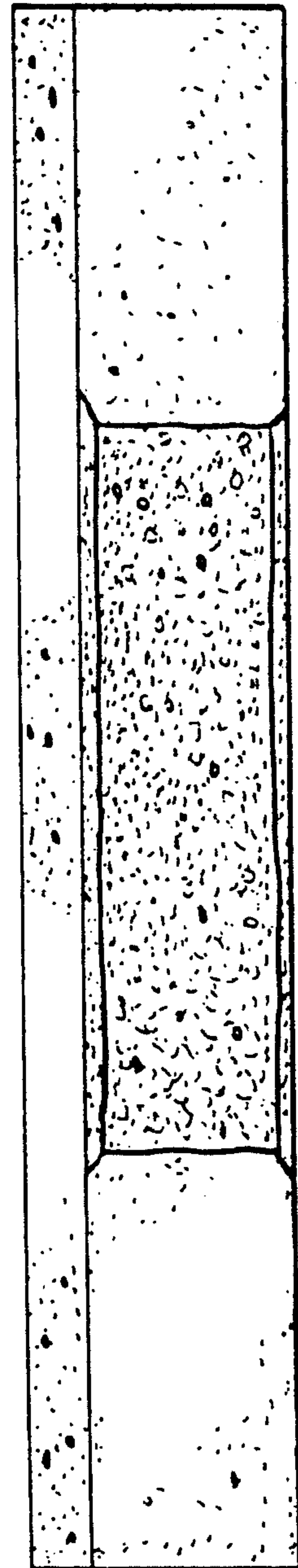


FIG. 23