



US00D340291S

United States Patent [19]

[11] Patent Number: **Des. 340,291**

Bartnicki et al.

[45] Date of Patent: **** Oct. 12, 1993**

[54] **LADDER PAIL SHELF**

[75] Inventors: **Frederick J. Bartnicki**, Greenville;
Robert D. Beggs, Fredonia, both of
Pa.; **Francis W. MacGregor**,
Simsbury, Conn.; **Donald M. Werner**,
Hermitage, Pa.

[73] Assignee: **R. D. Werner Co., Inc.**, Greenville,
Pa.

[**] Term: **14 Years**

[21] Appl. No.: **729,005**

[22] Filed: **Jul. 12, 1991**

[52] U.S. Cl. **D25/68**

[58] Field of Search **D25/62, 64, 68-69;**
182/120; 248/238

[56] **References Cited**

U.S. PATENT DOCUMENTS

D. 212,471 10/1968 Wood, Sr. **D25/64**
D. 273,996 5/1984 Rasler **D25/68**

D. 284,513	7/1986	Dyer	D25/68
D. 307,187	4/1990	Schaf	D25/68
2,051,060	8/1936	Soman	182/120
2,930,442	3/1960	Carter	182/120
3,182,749	5/1965	Girardello	182/120
3,829,051	8/1974	Emmons	248/238
4,862,994	9/1989	Hughes, Sr.	248/238

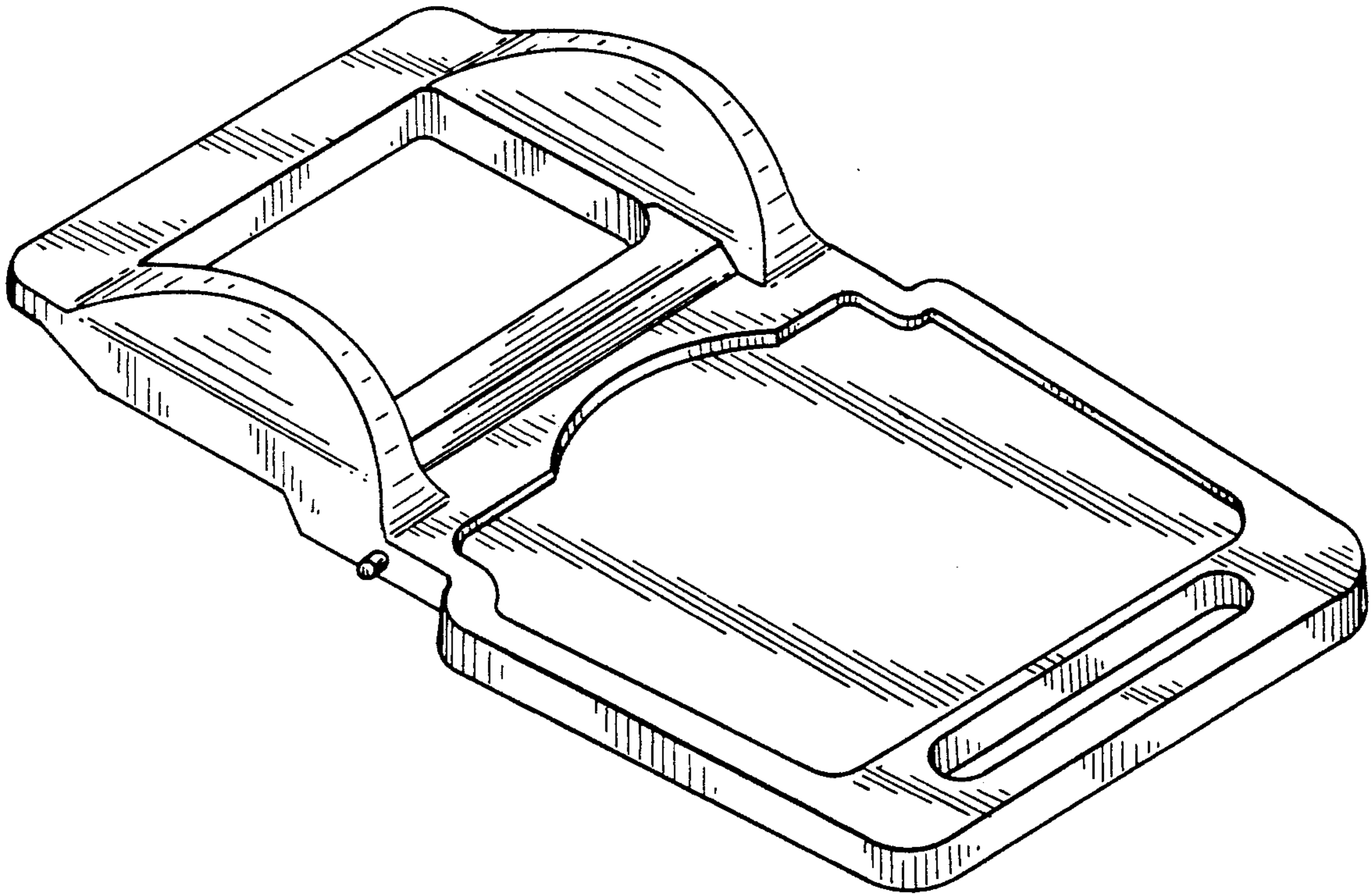
Primary Examiner—A. Hugo Word
Assistant Examiner—Doris Clark
Attorney, Agent, or Firm—Ansel M. Schwartz

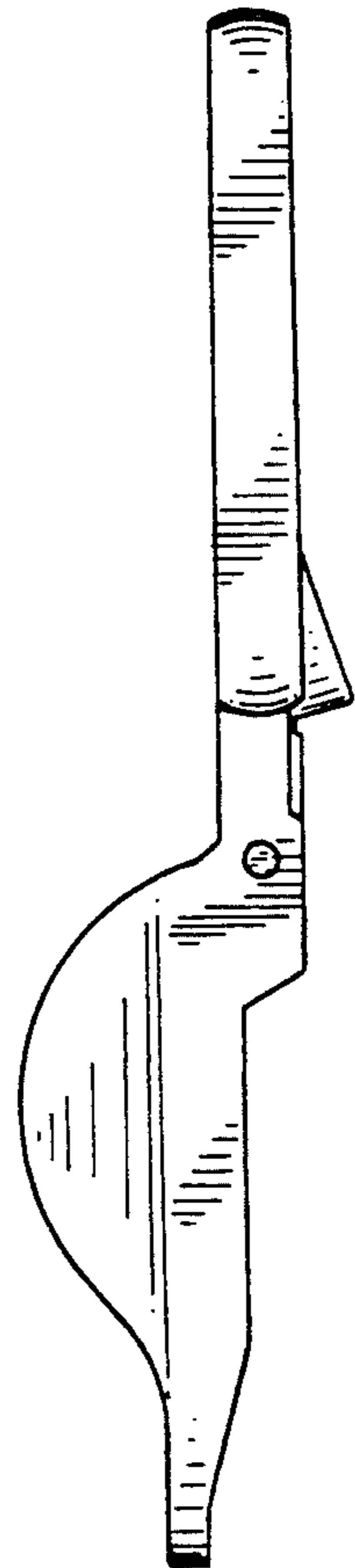
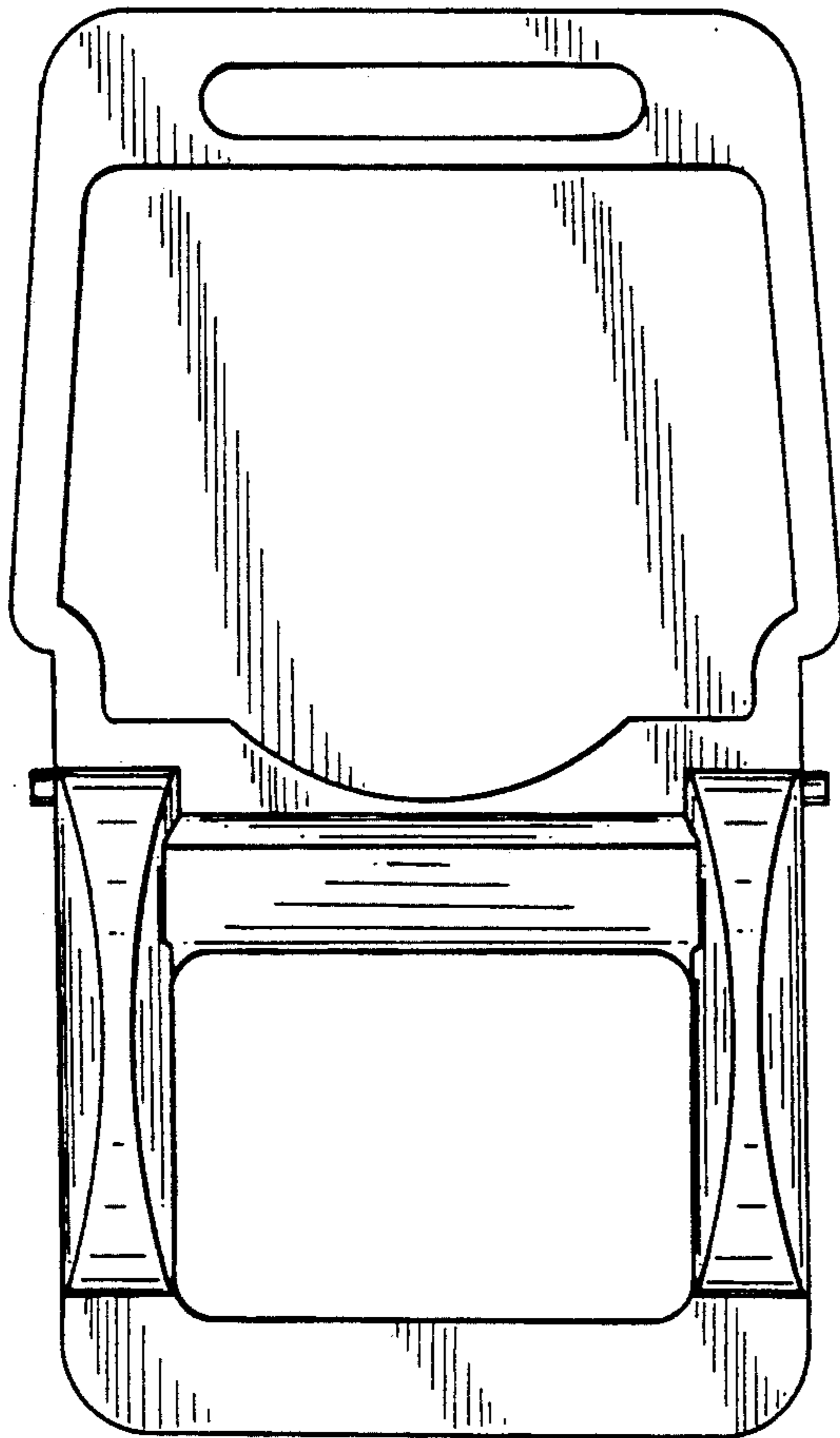
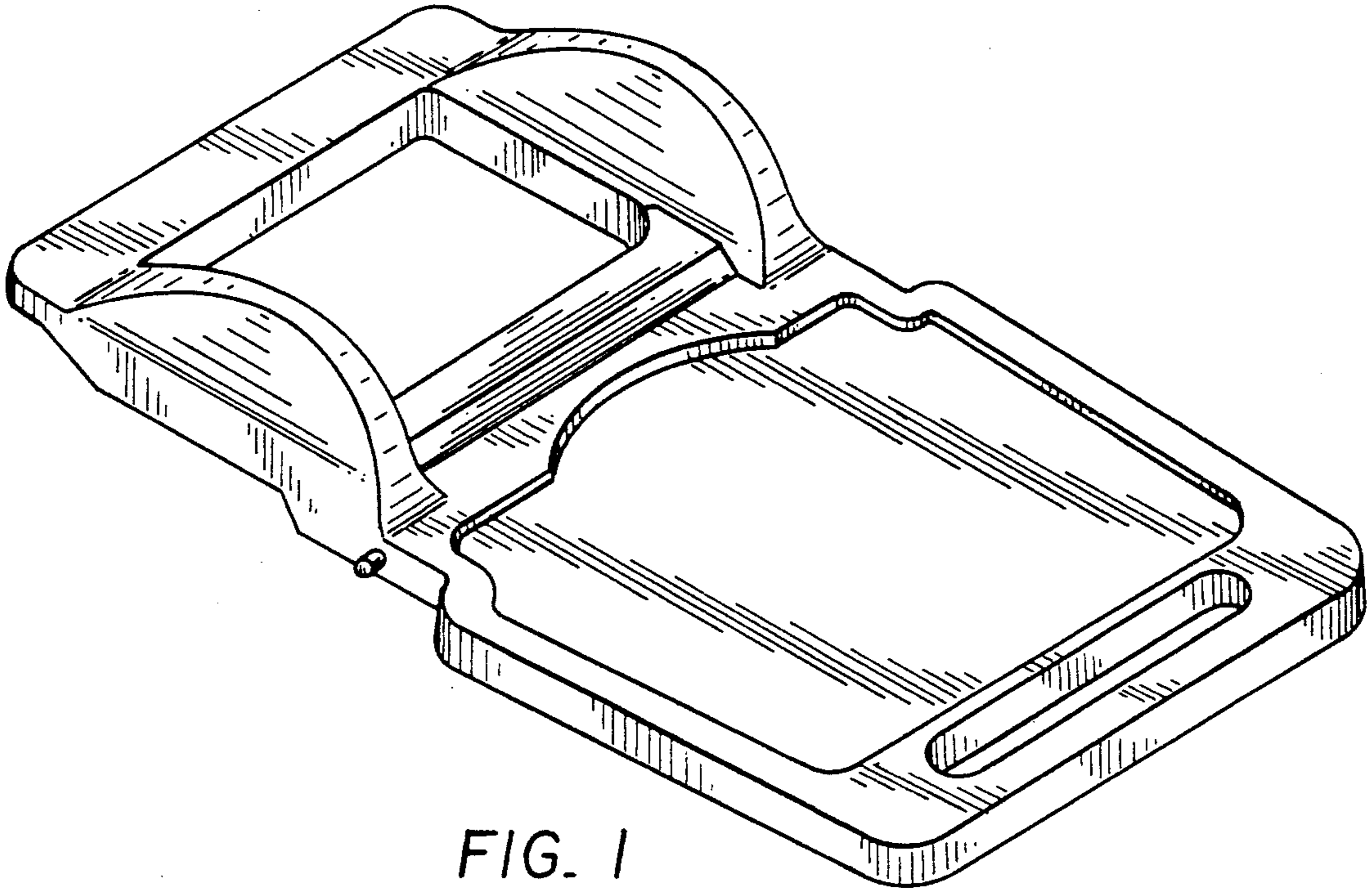
[57] CLAIM

The ornamental design for a ladder pail shelf, as shown and described.

DESCRIPTION

FIG. 1 is a perspective view of a ladder pail shelf;
FIG. 2 is a top view thereof;
FIG. 3 is a right side view thereof;
FIG. 4 is a left side view thereof;
FIG. 5 is a front elevational view thereof;
FIG. 6 is a rear elevational view thereof; and,
FIG. 7 is a bottom view thereof.





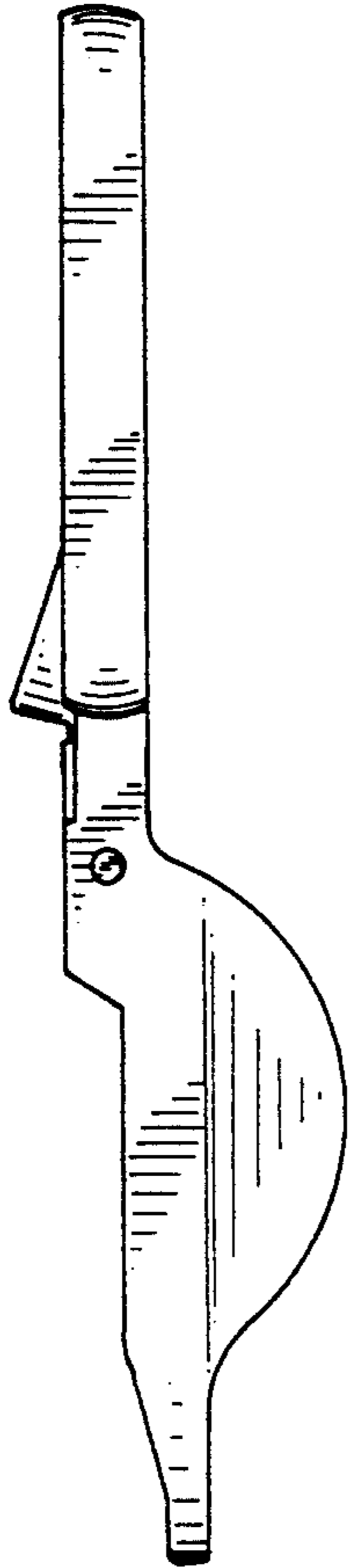


FIG. 4

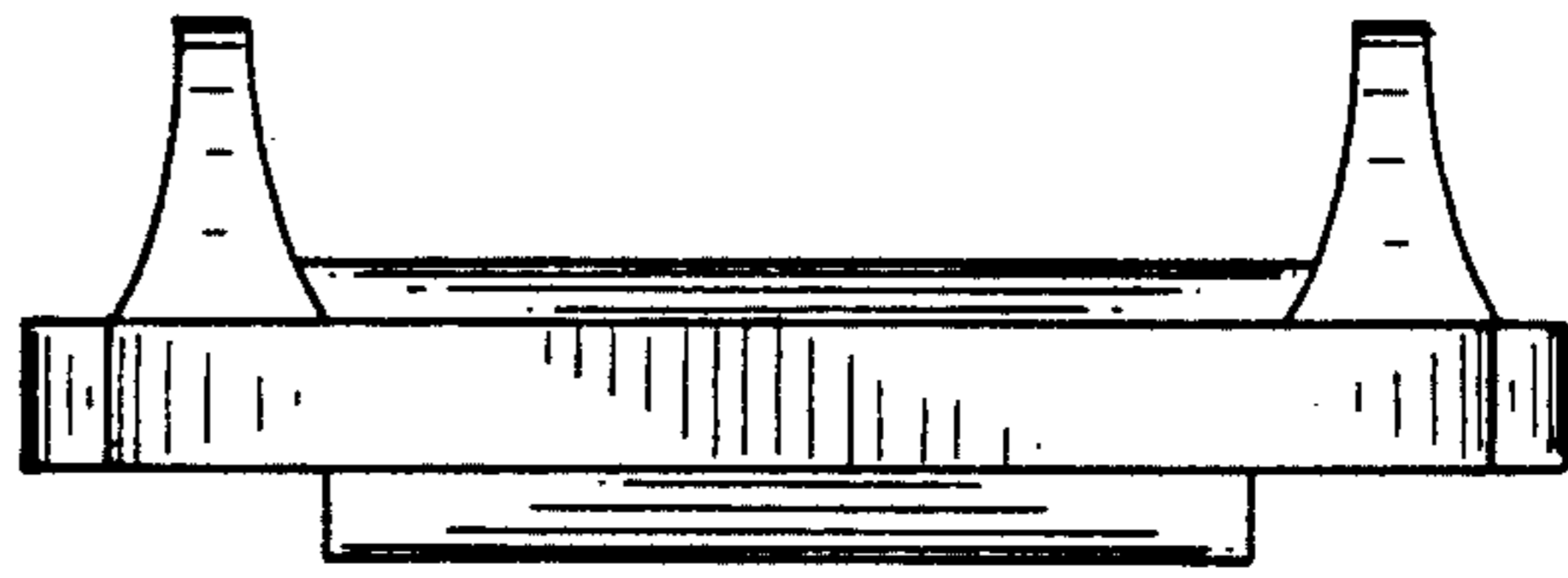


FIG. 5



FIG. 6

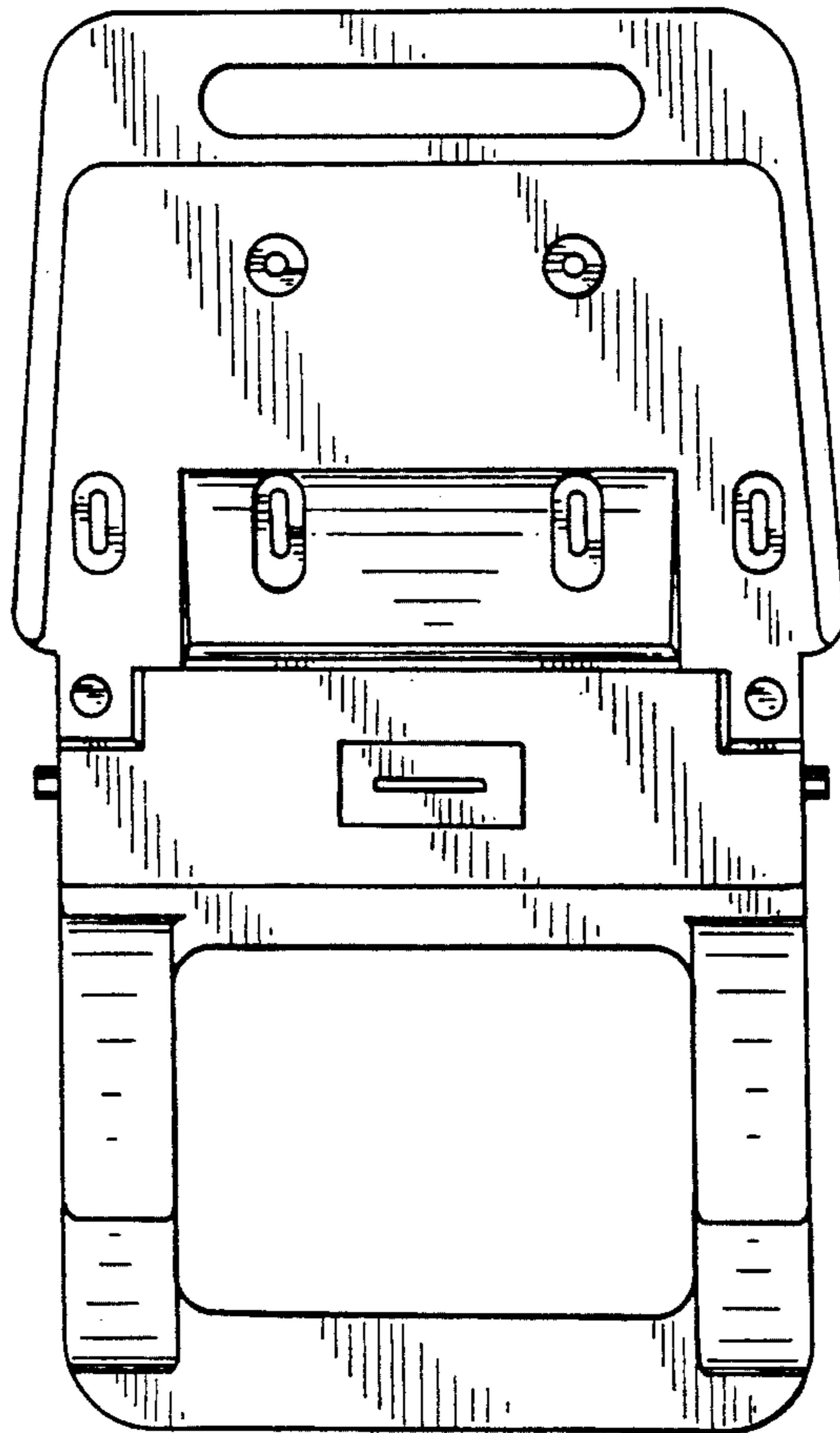


FIG. 7