



US00D340290S

# United States Patent [19]

Rossiter

[11] Patent Number: Des. 340,290

[45] Date of Patent: \*\* Oct. 12, 1993

[54] GATE

[76] Inventor: Frederick P. Rossiter, 342  
Amsterdam Rd., Scotia, N.Y. 12302

[\*\*] Term: 14 Years

[21] Appl. No.: 732,702

[22] Filed: Jul. 19, 1991

[52] U.S. Cl. .... D25/50

[58] Field of Search ..... D25/50; 49/49.9, 34-35

[56] **References Cited**

**U.S. PATENT DOCUMENTS**

77,142	4/1868	Weirich et al. .	
80,220	7/1868	Raub .	
1,169,696	1/1916	Thorp .	
2,874,493	2/1959	Mlandel .....	49/9
3,783,558	1/1974	Keator .....	49/49
4,016,679	4/1977	Ellefson .....	49/35
4,227,344	10/1980	Poppke .....	49/9

4,762,439	8/1988	Carlyle .....	49/35
4,811,516	3/1989	Anderson .....	D25/50
4,822,206	4/1989	Roussel et al. ....	49/9

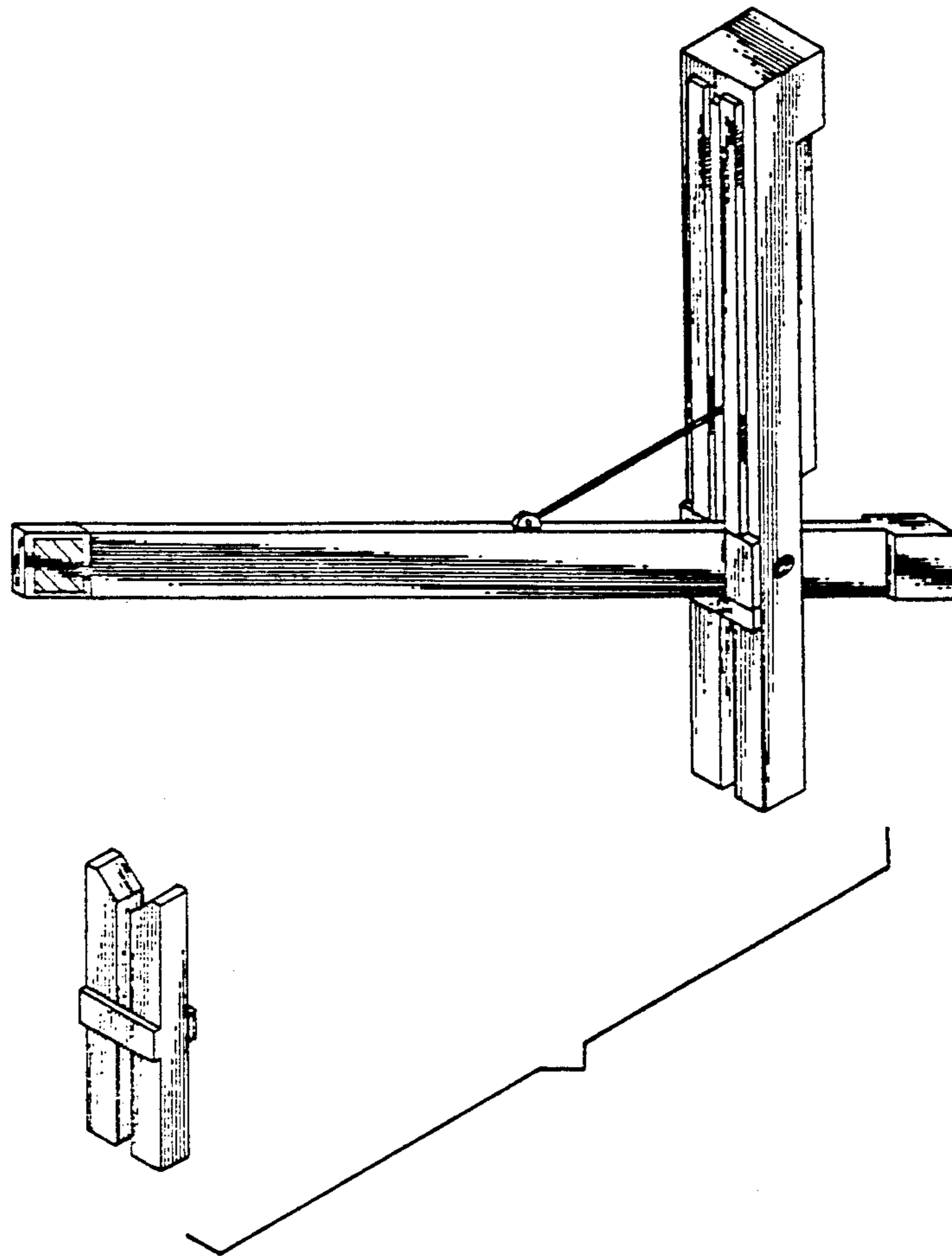
*Primary Examiner*—A. Hugo Word  
*Assistant Examiner*—Doris Clark  
*Attorney, Agent, or Firm*—Terry M. Gernstein

[57] **CLAIM**

The ornamental design for a gate, as shown and described.

**DESCRIPTION**

FIG. 1 is a perspective view of the gate embodying the design of the present invention;  
FIG. 2 is a front elevational view thereof;  
FIG. 3 is a rear elevational view thereof;  
FIG. 4 is a side elevational view thereof, the side opposite being a mirror image of the side shown in FIG. 4;  
FIG. 5 is a top plan view thereof; and,  
FIG. 6 is a bottom view thereof.



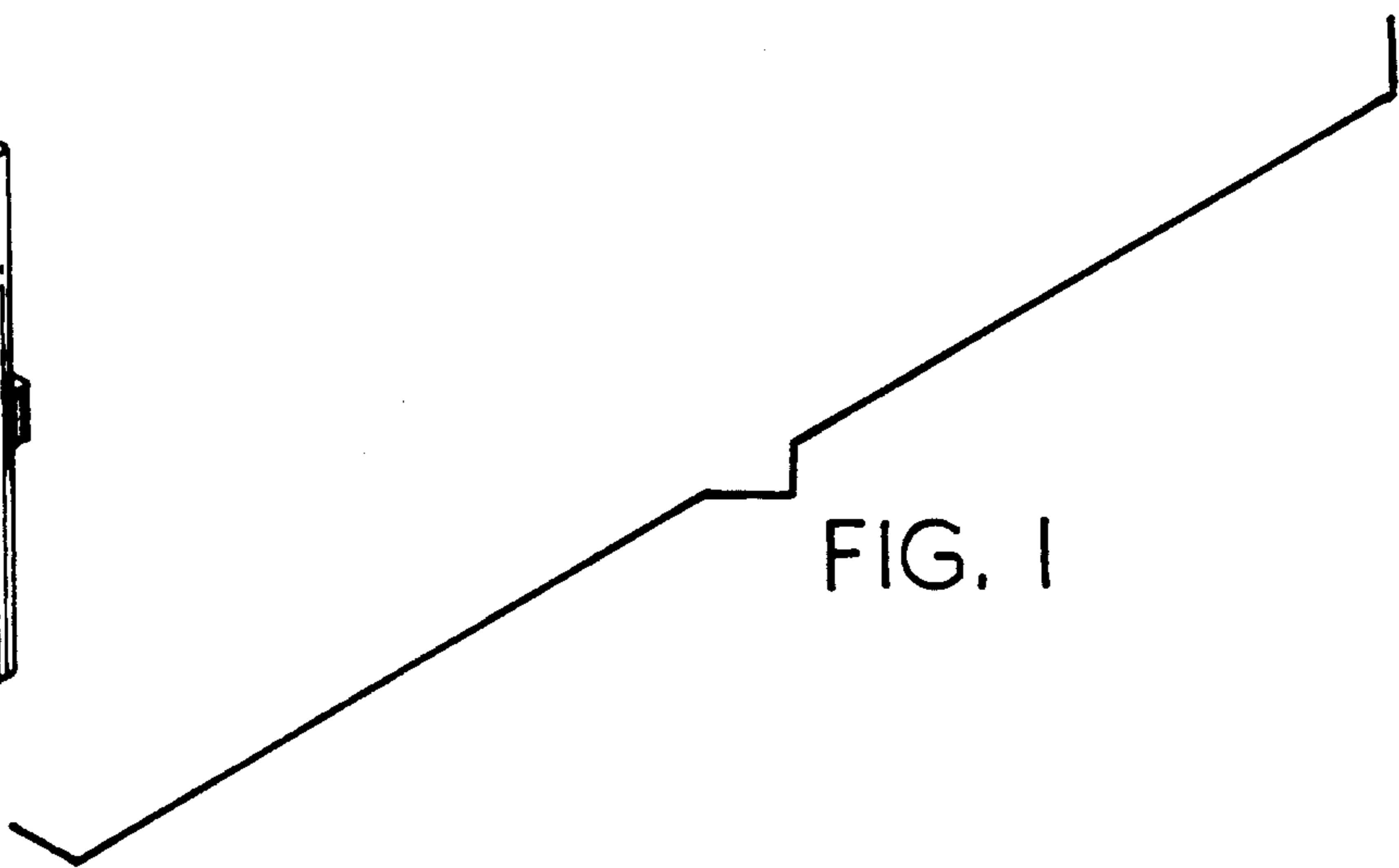
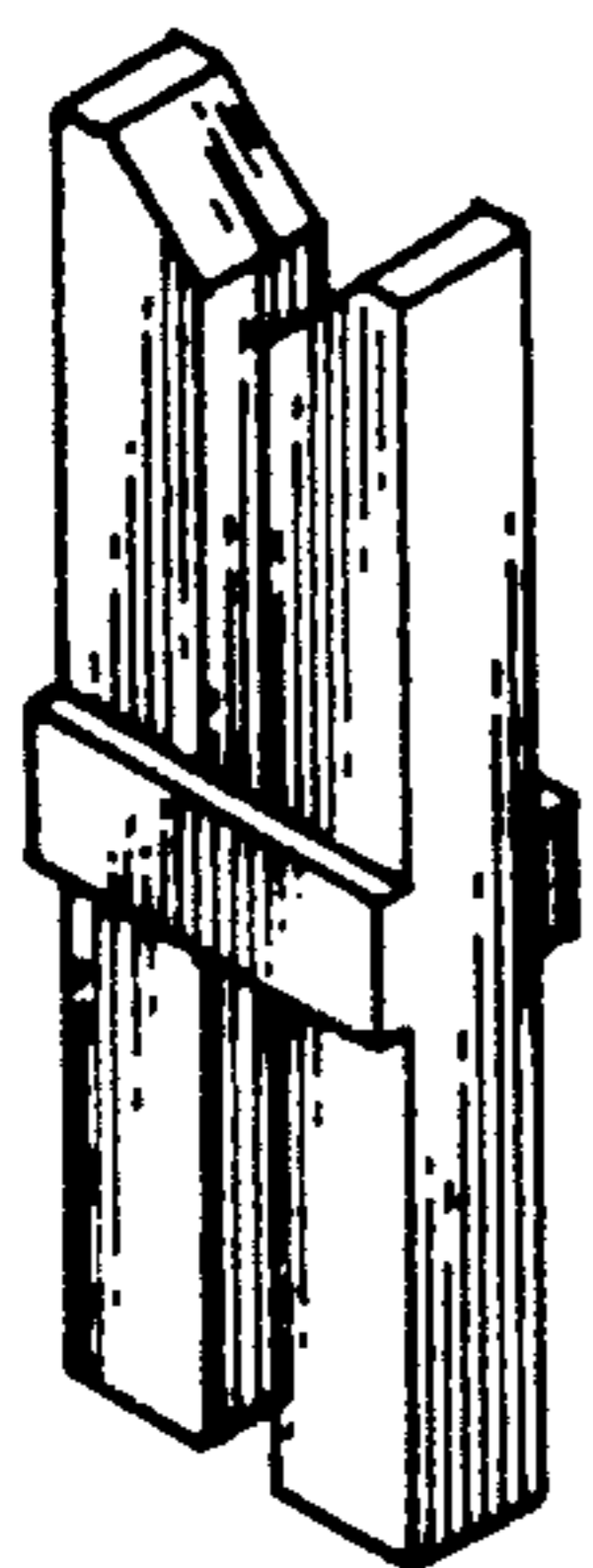
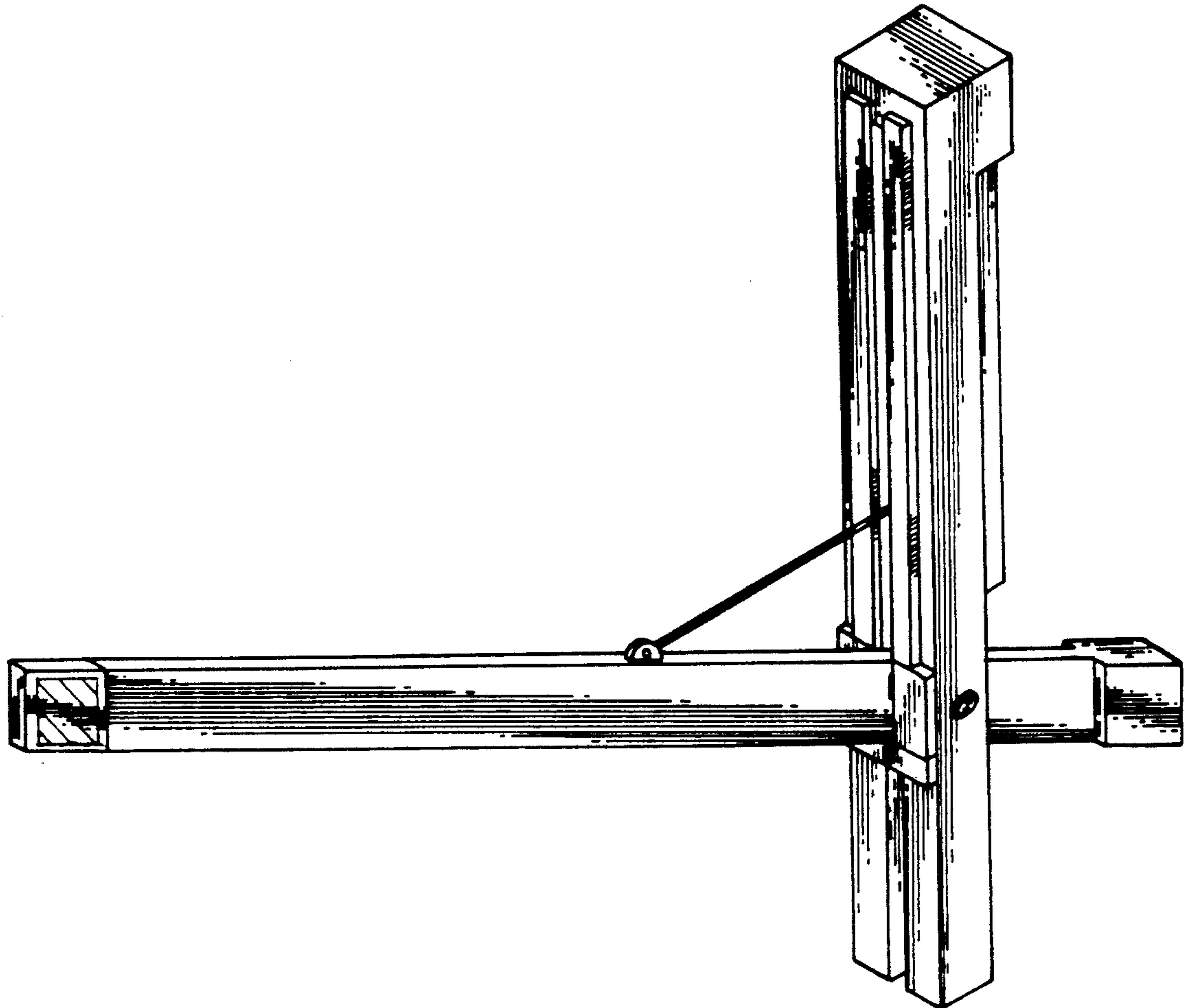


FIG. 1

FIG. 2



FIG. 3

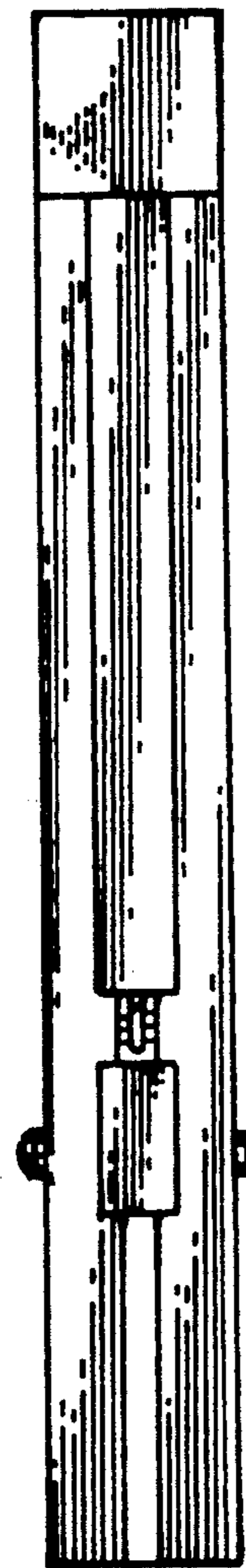


FIG. 4

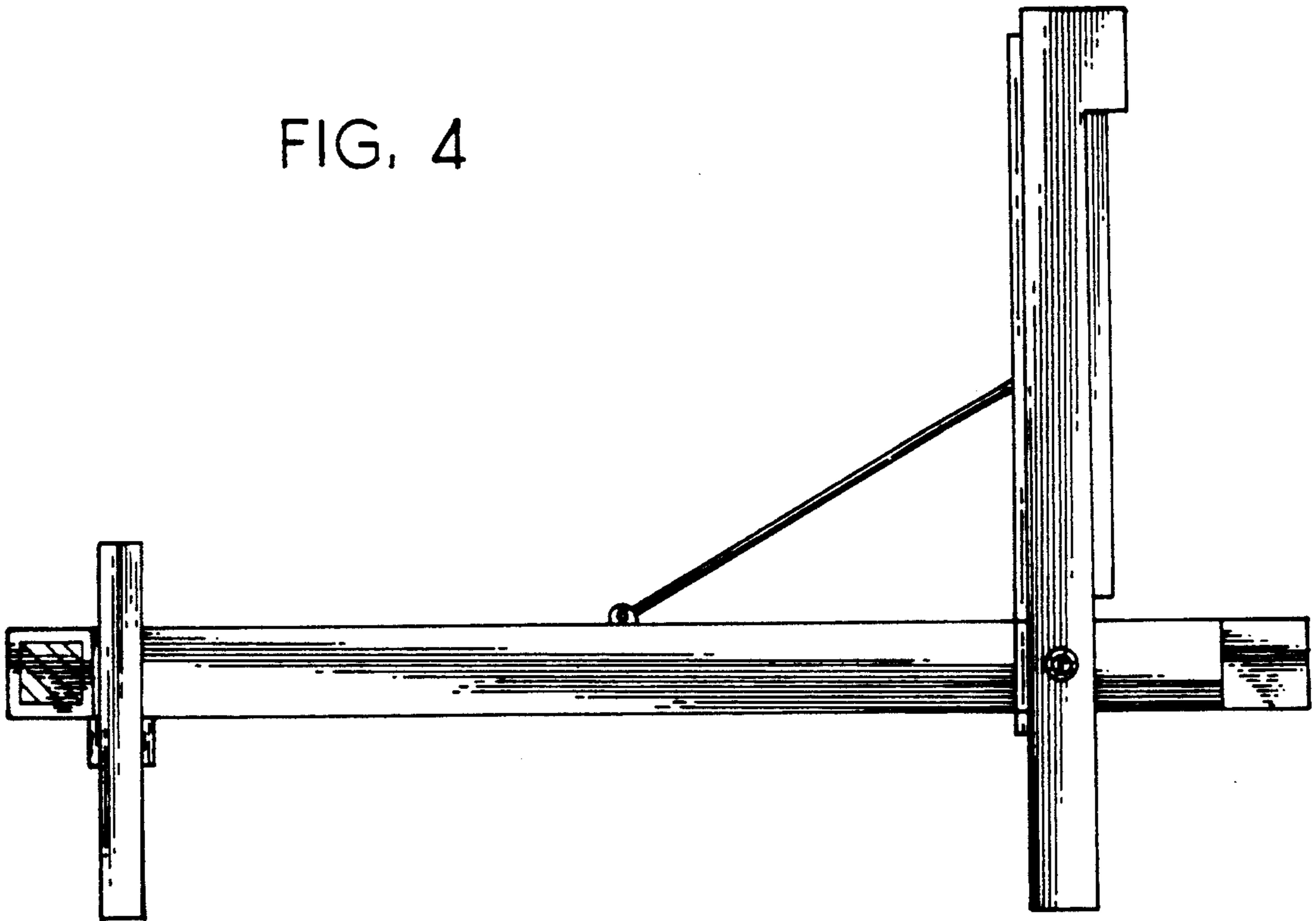


FIG. 5



FIG. 6

