



US00D340285S

United States Patent [19]

[11] Patent Number: Des. 340,285

Herweck et al.

[45] Date of Patent: ** Oct. 12, 1993

[54] CHEST DRAIN

[75] Inventors: Steve A. Herweck, Nashua; Theodore Karwoski, Hollis; Stephen M. Vail, Nashua, all of N.H.

[73] Assignee: Atrium Medical Corporation, Hollis, N.H.

[**] Term: 14 Years

[21] Appl. No.: 611,341

[22] Filed: Nov. 8, 1990

[52] U.S. Cl. D24/169; D24/117

[58] Field of Search D24/117, 118, 169, 111; 604/317, 320, 321

[56] References Cited

U.S. PATENT DOCUMENTS

| | | | |
|------------|---------|---------------------|---------|
| D. 245,372 | 8/1977 | Kurtz et al. | D24/117 |
| D. 255,937 | 7/1980 | Kurtz et al. | D24/117 |
| D. 267,433 | 12/1982 | Pageau | D24/117 |
| D. 328,790 | 8/1992 | Herweck et al. | D24/169 |
| 4,911,697 | 5/1990 | Kerwin | 604/321 |
| 4,988,342 | 1/1991 | Herweck et al. | 604/321 |

OTHER PUBLICATIONS

Thora-Drain III Flyer ©Chesebrough-Pond's Inc. Oct. 1980 back cover.

Primary Examiner—Louis S. Zarfes

Attorney, Agent, or Firm—Lahive & Cockfield

[57] CLAIM

The ornamental design for a chest drain, as shown and described.

DESCRIPTION

FIG. 1 is a front elevational view of a chest drain showing our new design;

FIG. 2 is a back elevational view of the drain of FIG. 1;

FIG. 3 is a top plan view of the drain of FIG. 1;

FIG. 4 is a bottom plan view of the drain of FIG. 1; FIG. 5 is a right side elevational view of the drain of FIG. 1;

FIG. 6 is a left side elevational view of the drain of FIG. 1;

FIG. 7 is a front elevational view of a chest drain showing a second embodiment of our new design;

FIG. 8 is a back elevational view of the drain of FIG. 7;

FIG. 9 is a top plan view of the drain of FIG. 7, the bottom, right and left views of this embodiment being identical to FIGS. 4, 5 and 6, respectively;

FIG. 10 is a front elevational view of a chest drain showing a third embodiment of our new design;

FIG. 11 is a back elevational view of the drain of FIG. 10, the top, bottom, right and left views being identical to FIGS. 3, 4, 5 and 6, respectively;

FIG. 12 is a front elevational view of a chest drain showing a fourth embodiment of our new design;

FIG. 13 is a back elevational view of the drain of FIG. 12;

FIG. 14 is a top plan view of the drain of FIG. 12, the bottom, right and left views being identical to FIGS. 4, 5 and 6, respectively;

FIG. 15 is a front elevational view of a chest drain showing a fifth embodiment of our new design;

FIG. 16 is a back elevational view of the drain of FIG. 15;

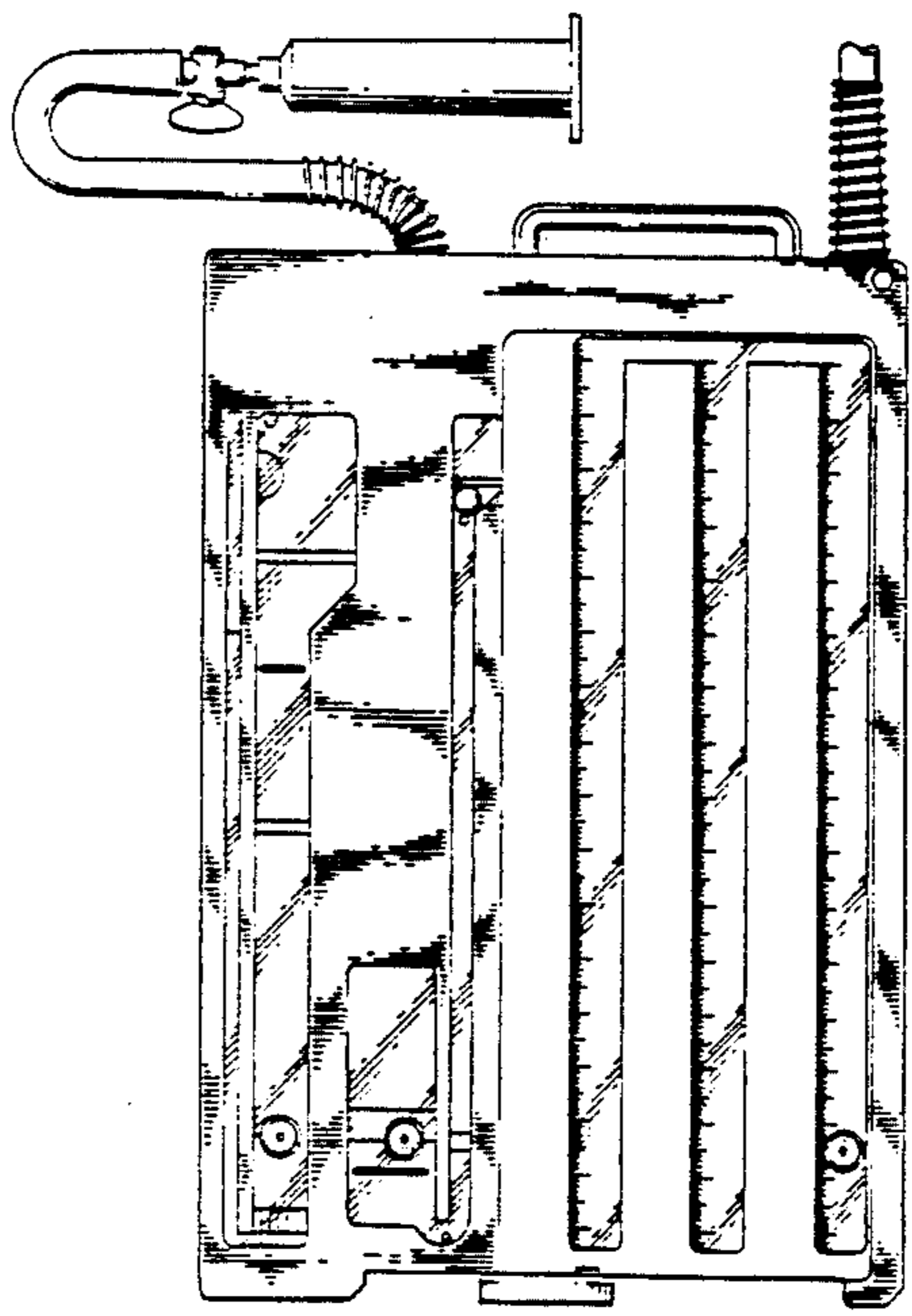
FIG. 17 is a top plan view of the drain of FIG. 15;

FIG. 18 is a bottom plan view of the drain of FIG. 15, the left side elevational view being identical to FIG. 5;

FIG. 19 is a front elevational view of a chest drain showing a sixth embodiment of our new design, the back, top, bottom, left and right side views being identical to FIGS. 16, 17, 18, 5 and 21, respectively;

FIG. 20 is a front elevational view of a chest drain showing a seventh embodiment of our new design, the back, top, bottom, left and right side views being identical to FIGS. 16, 17, 18, 5 and 21, respectively; and,

FIG. 21 is a right side elevational view of the embodiment of FIG. 15.



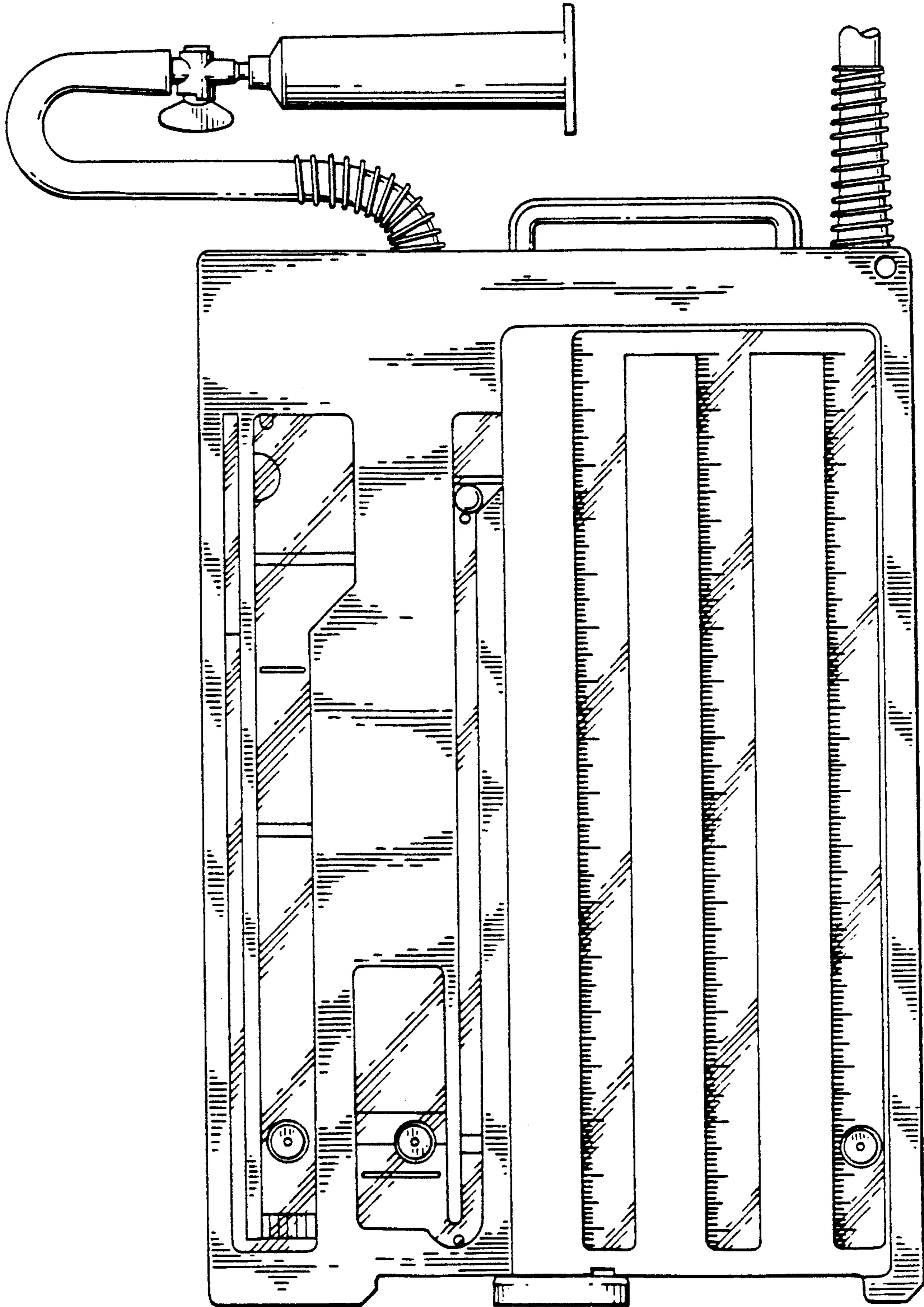


FIG. 1

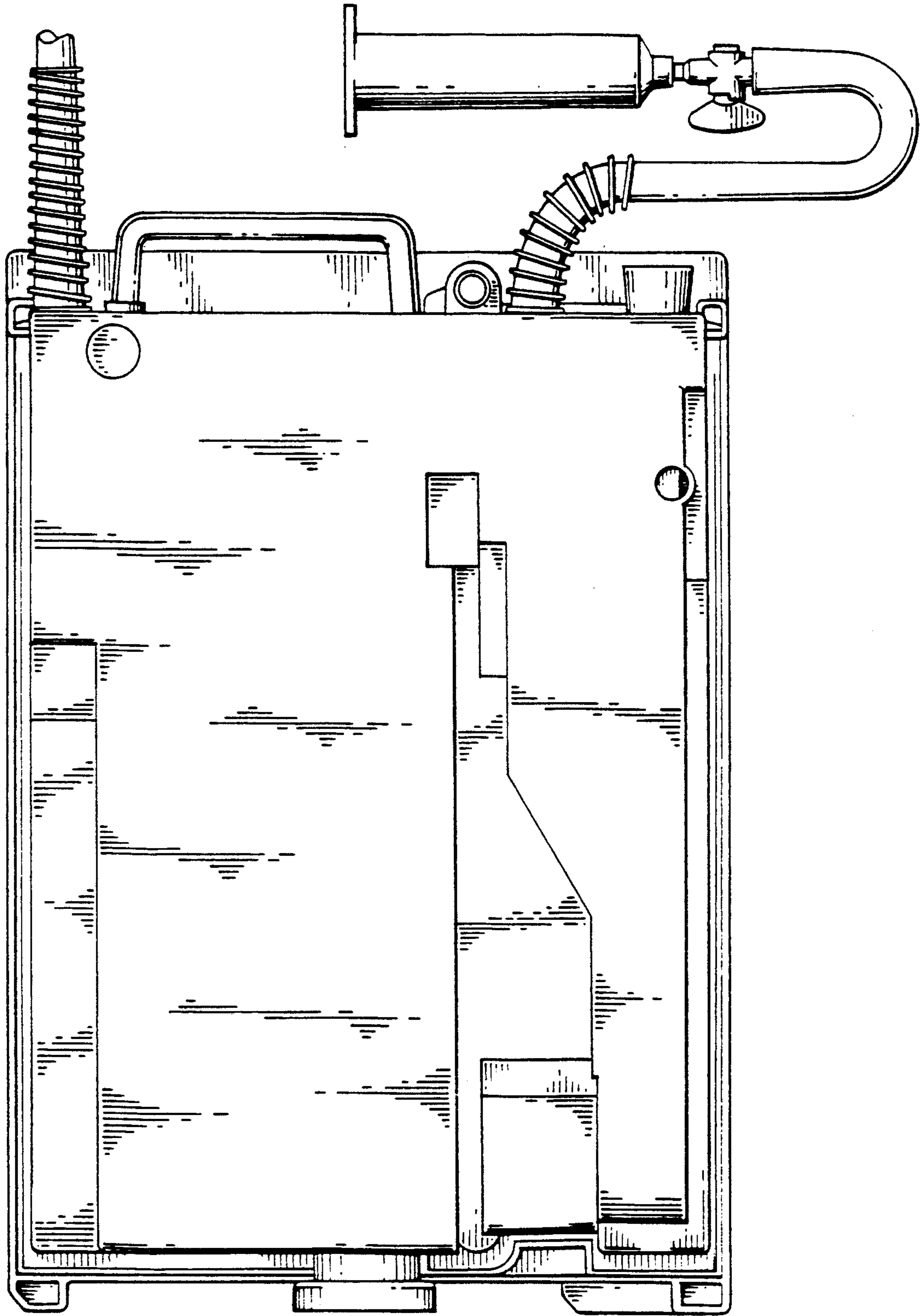


FIG. 2

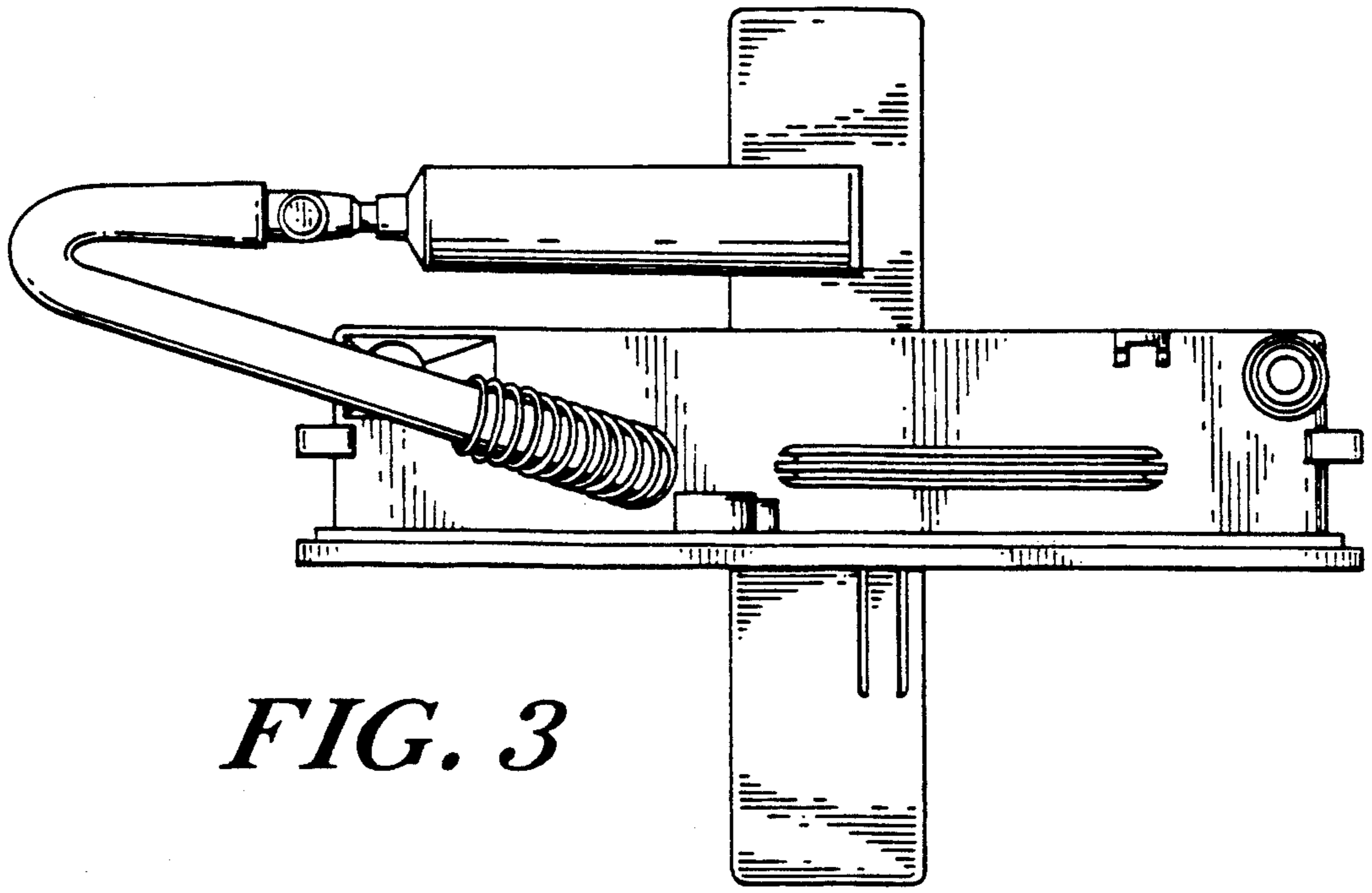


FIG. 3

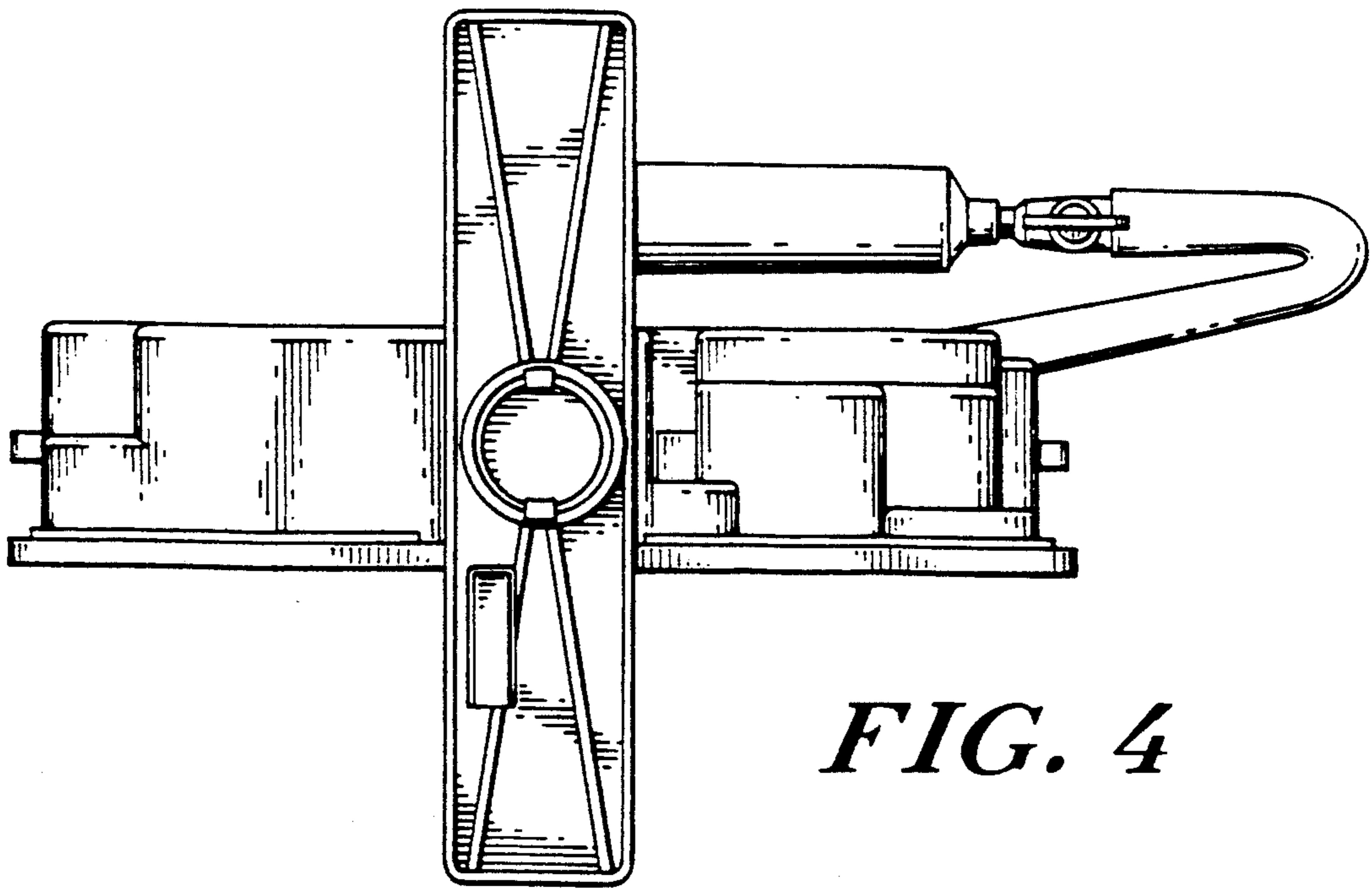


FIG. 4

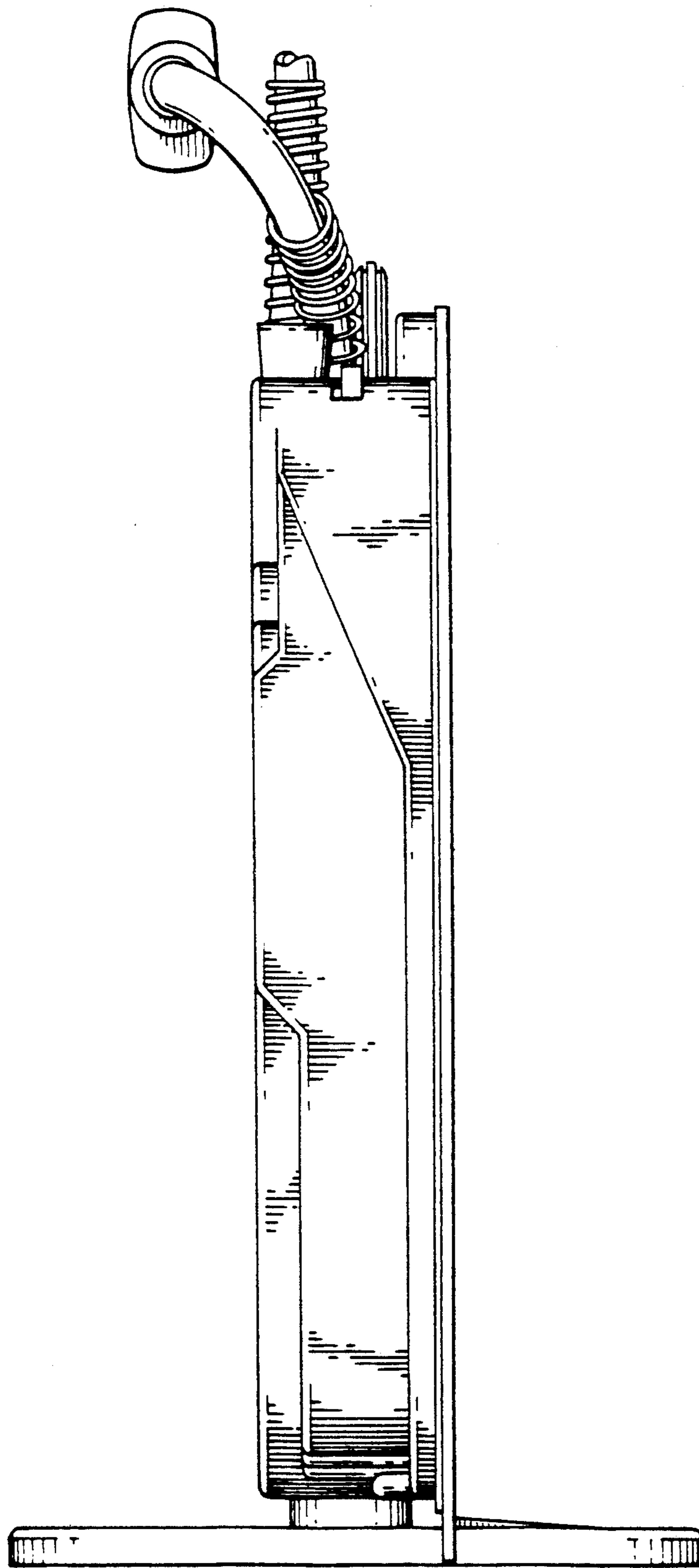


FIG. 5

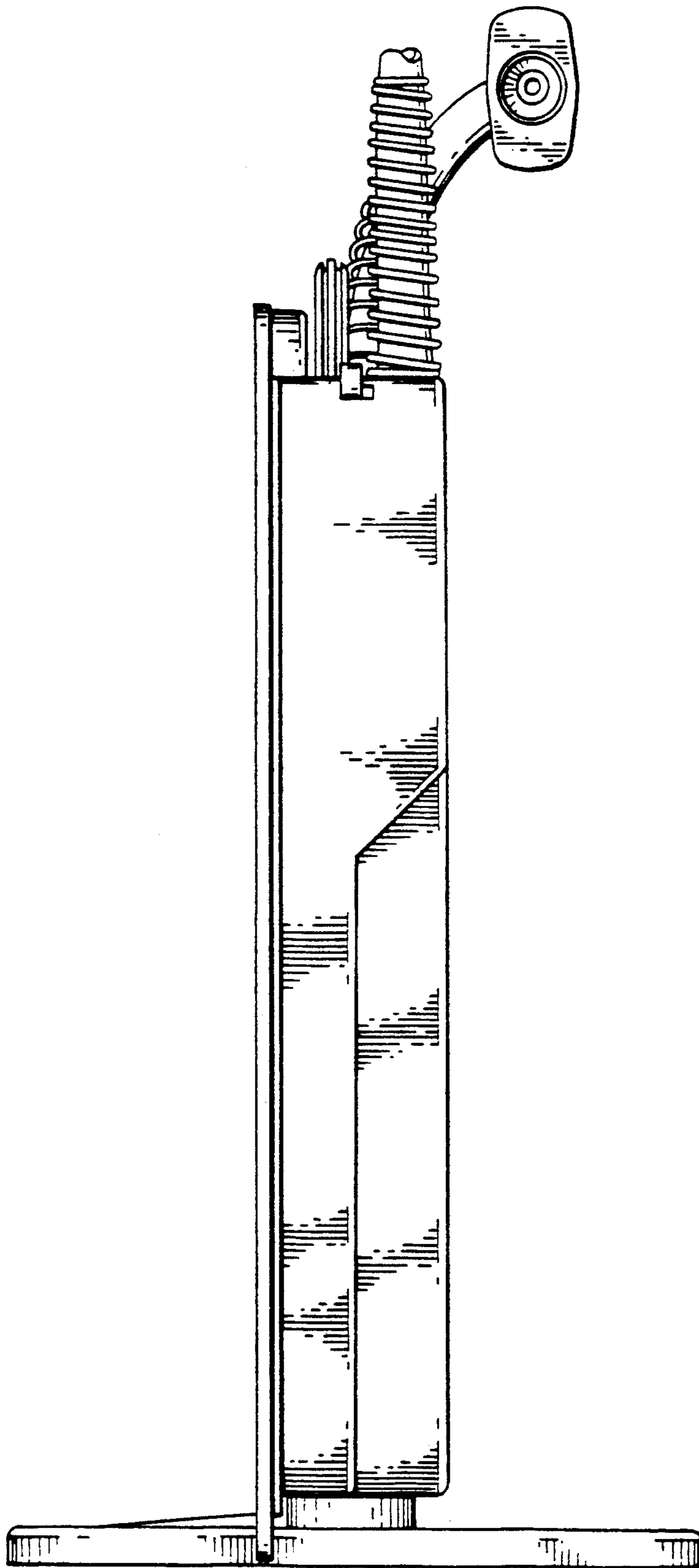


FIG. 6

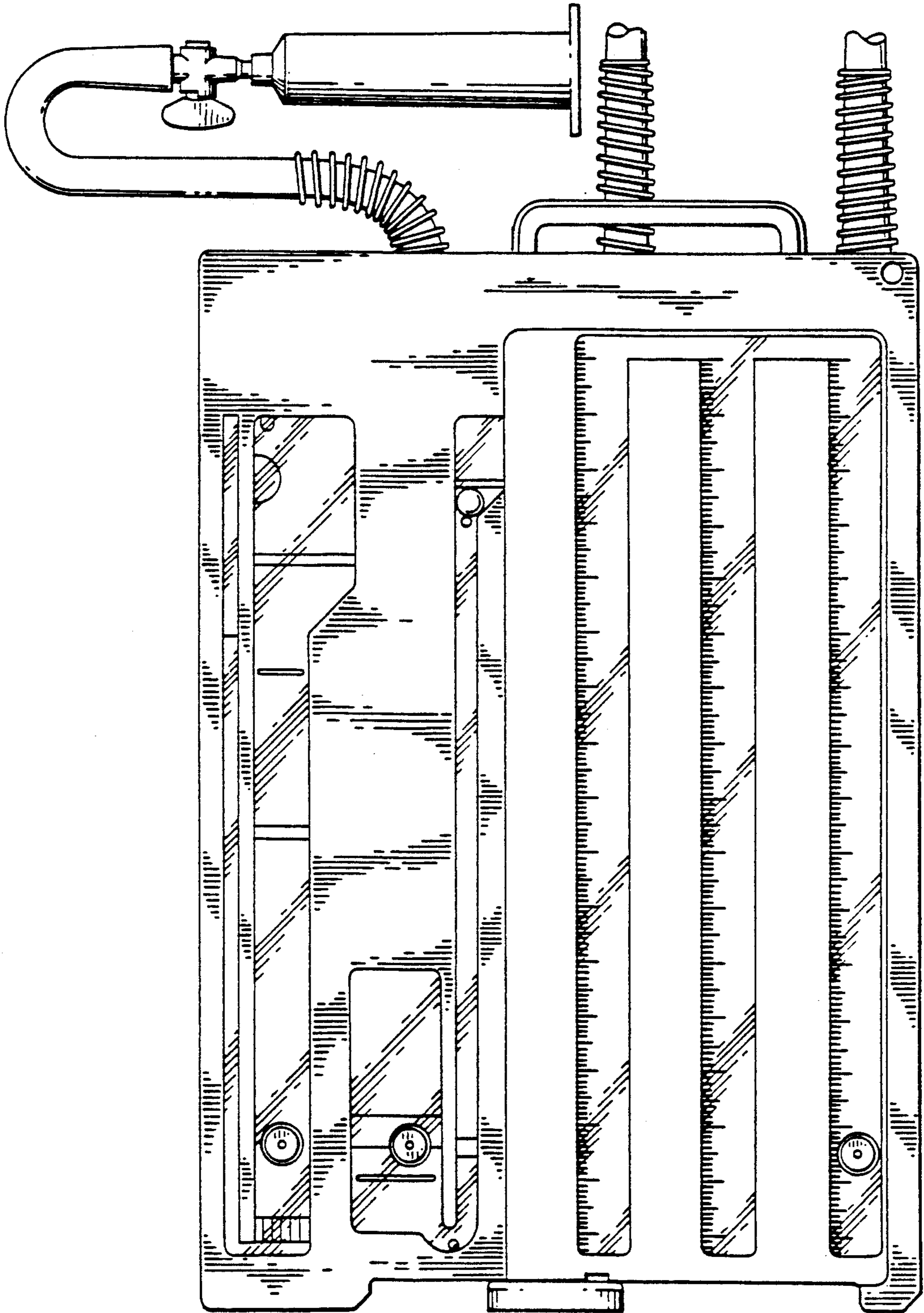


FIG. 7

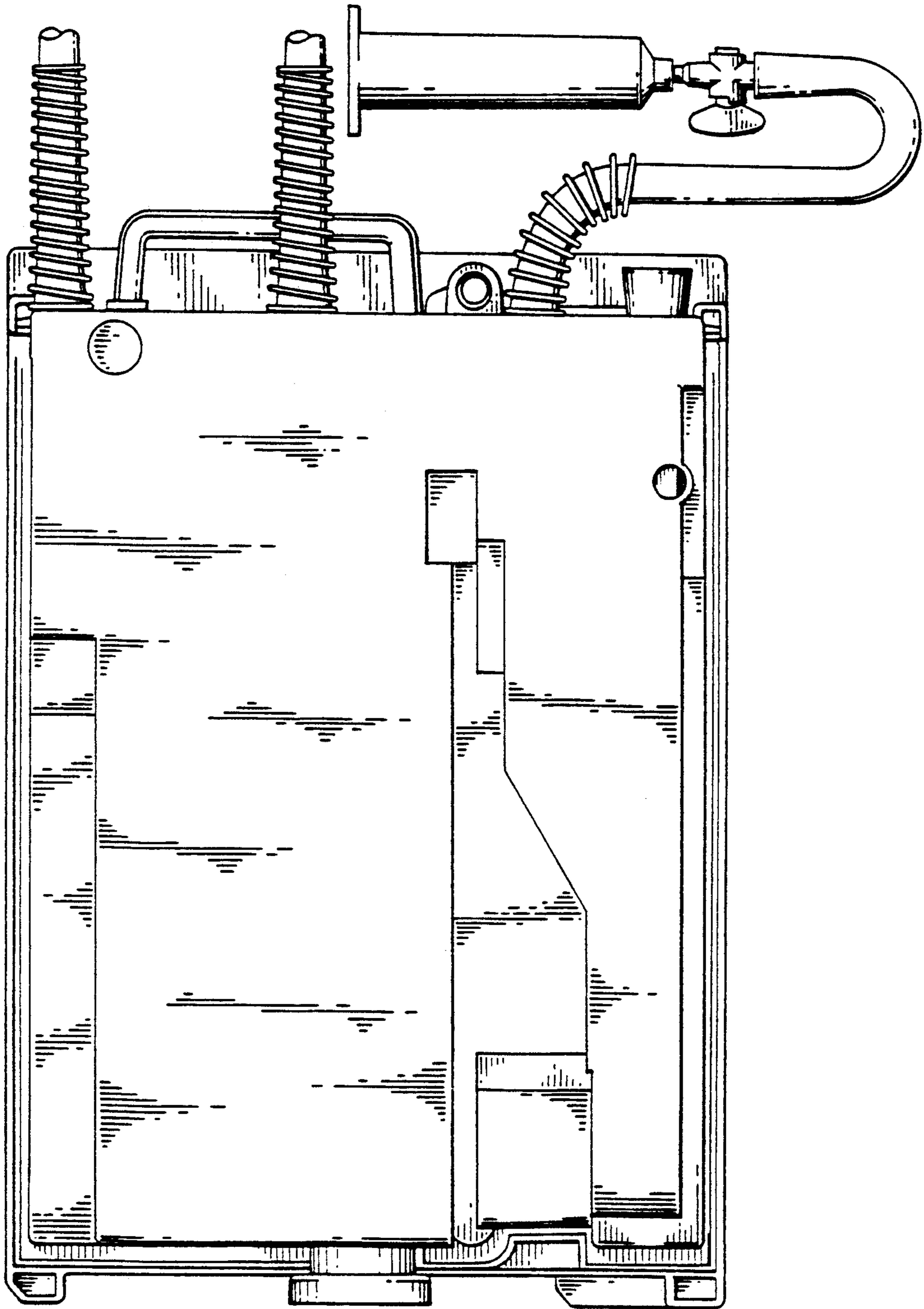


FIG. 8

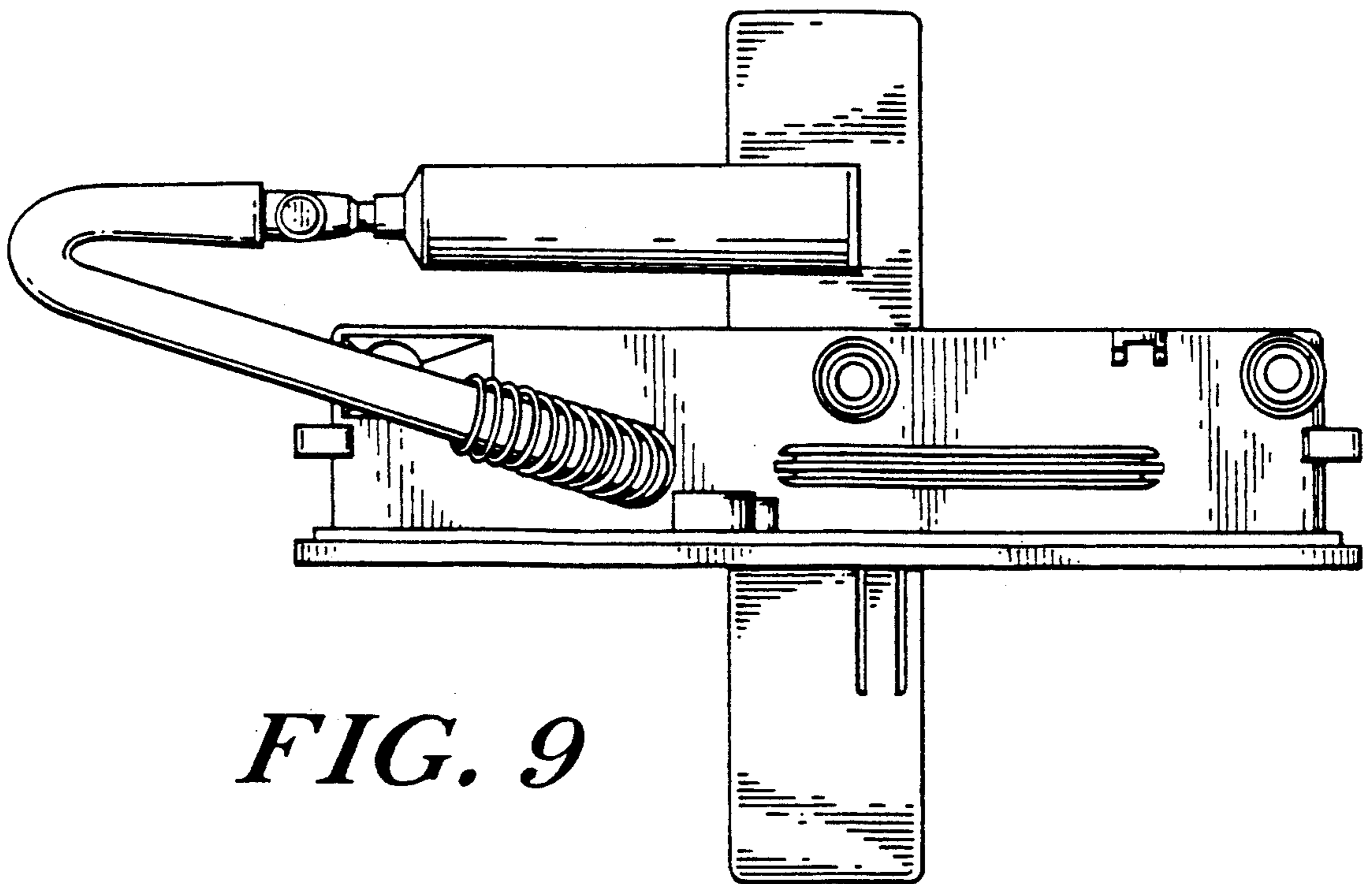


FIG. 9

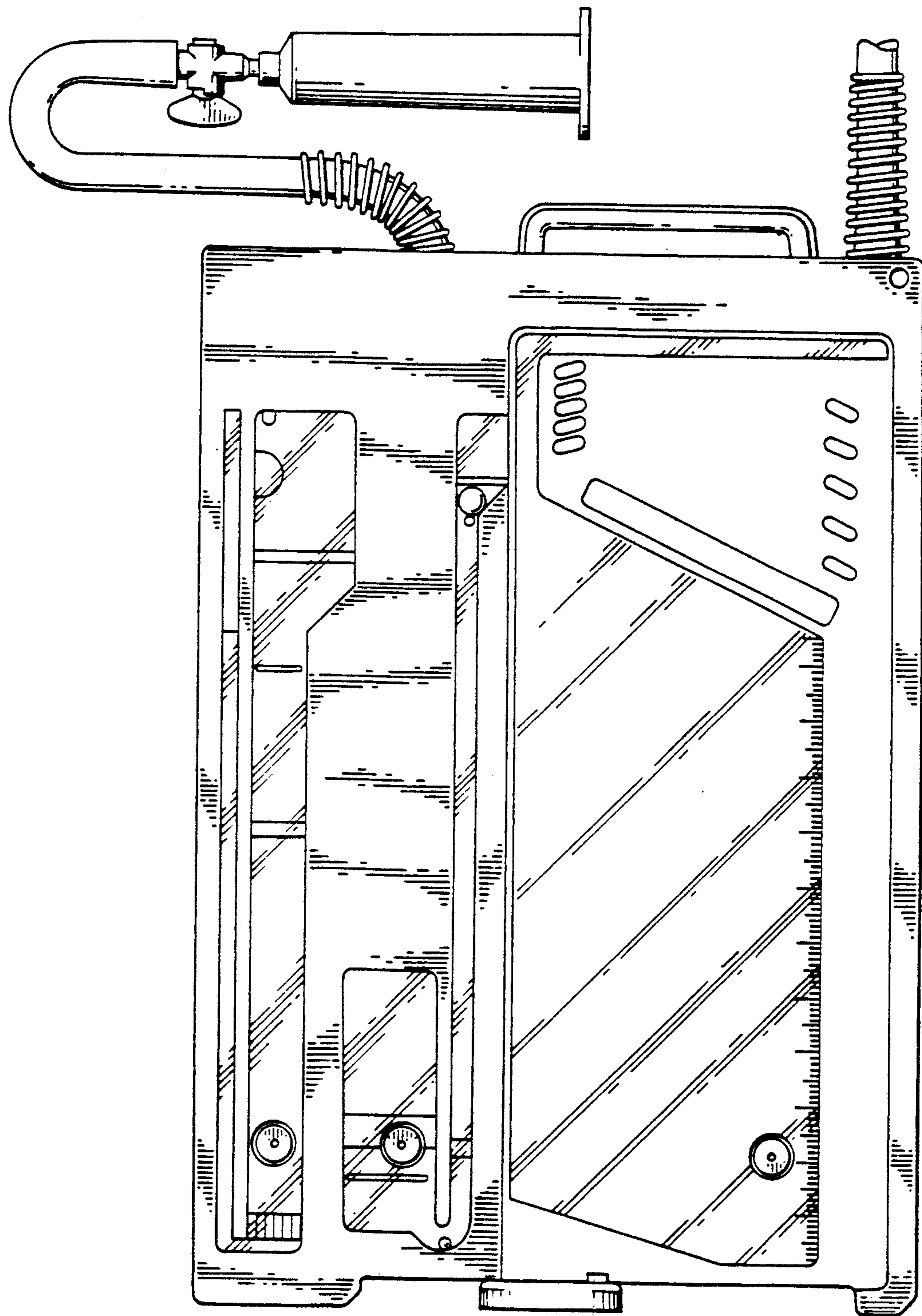


FIG. 10

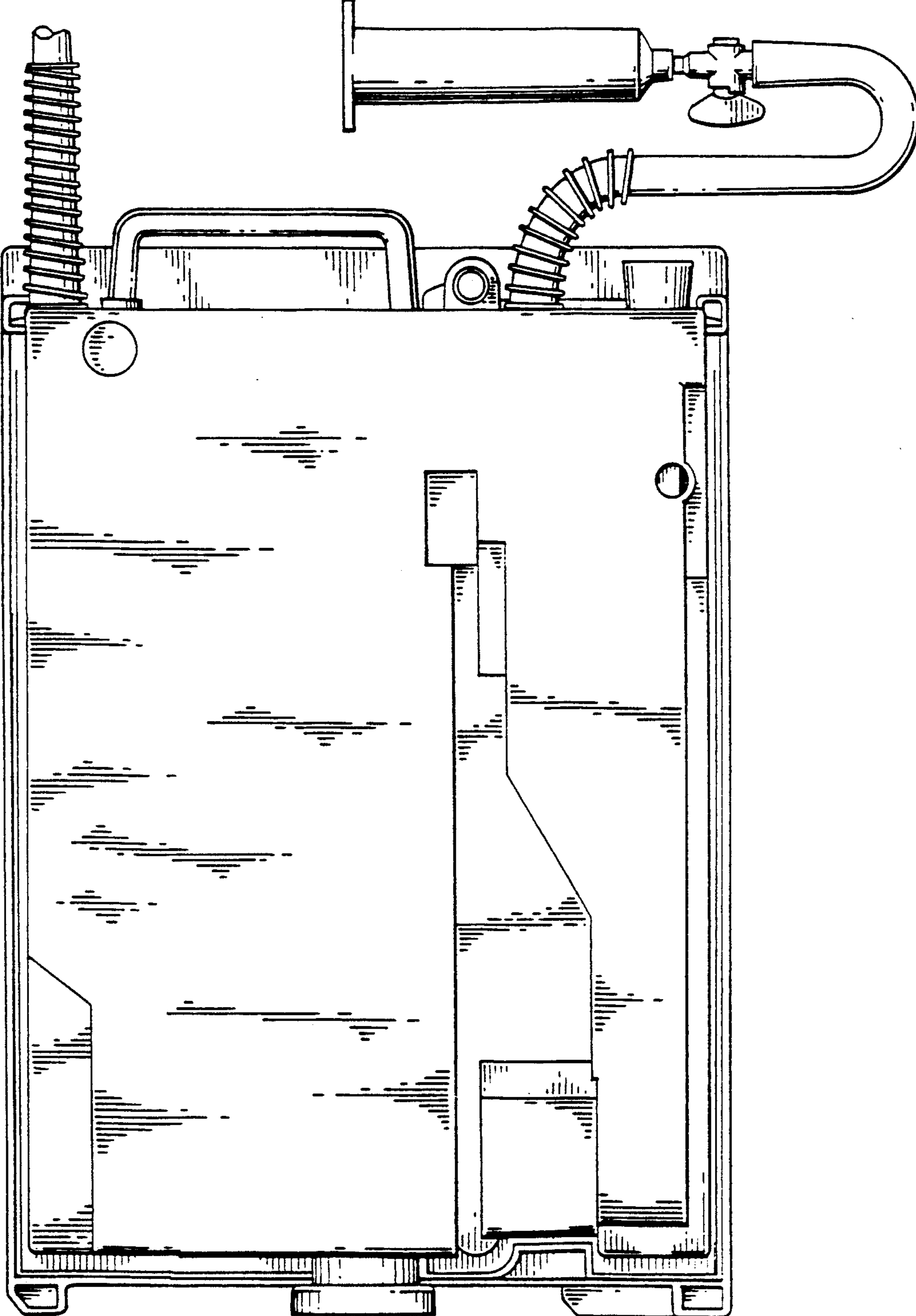


FIG. 11

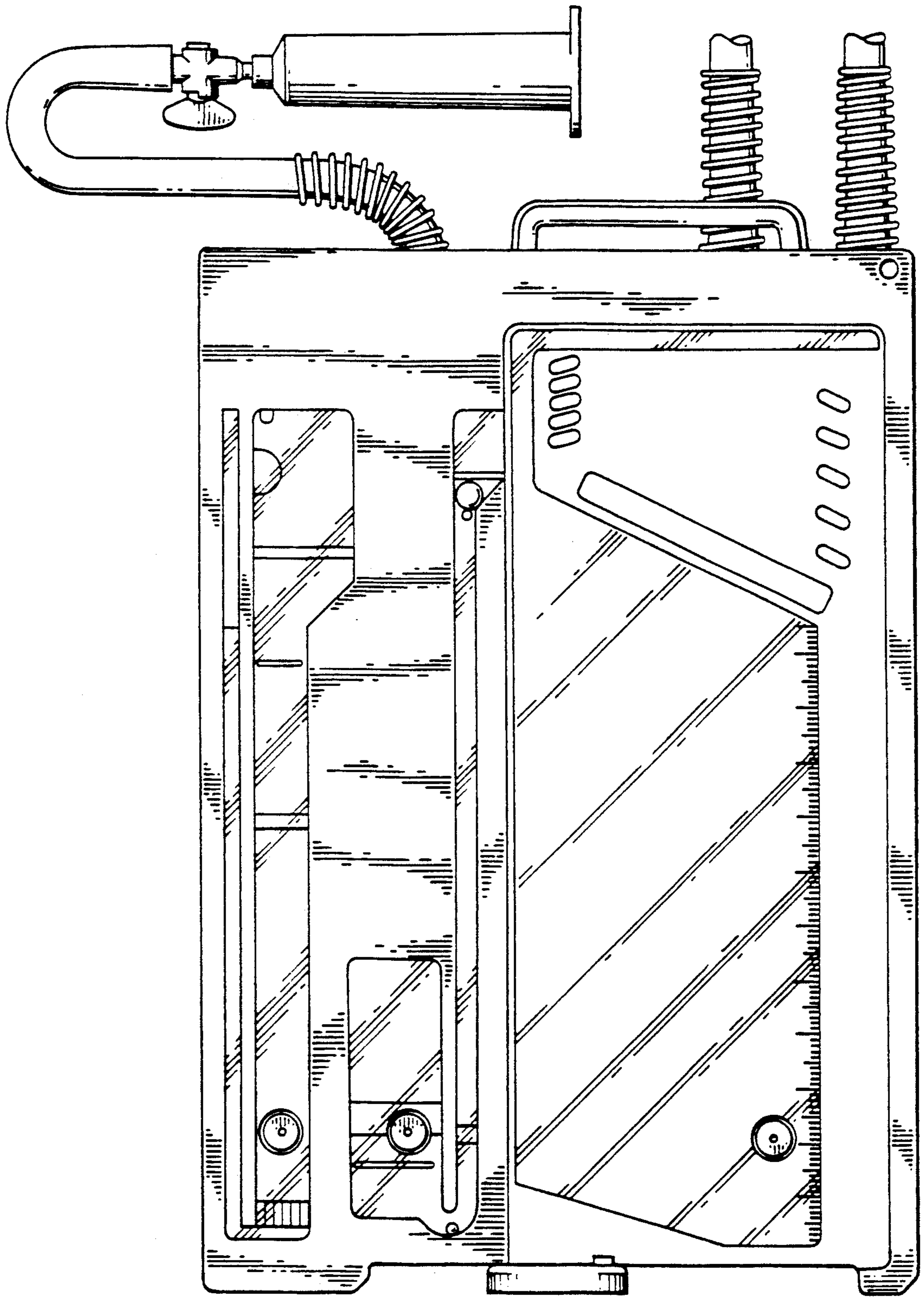


FIG. 12

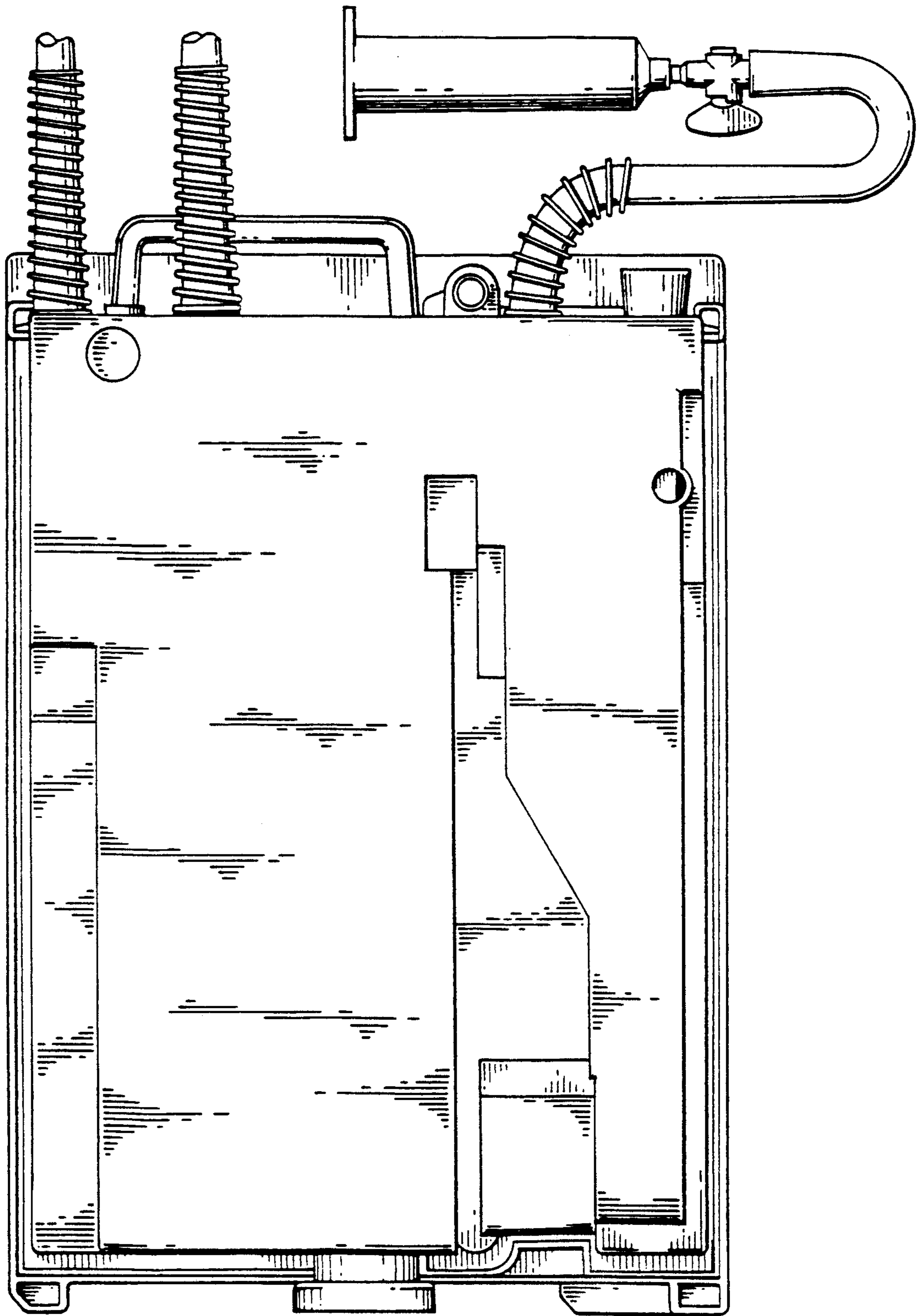


FIG. 13

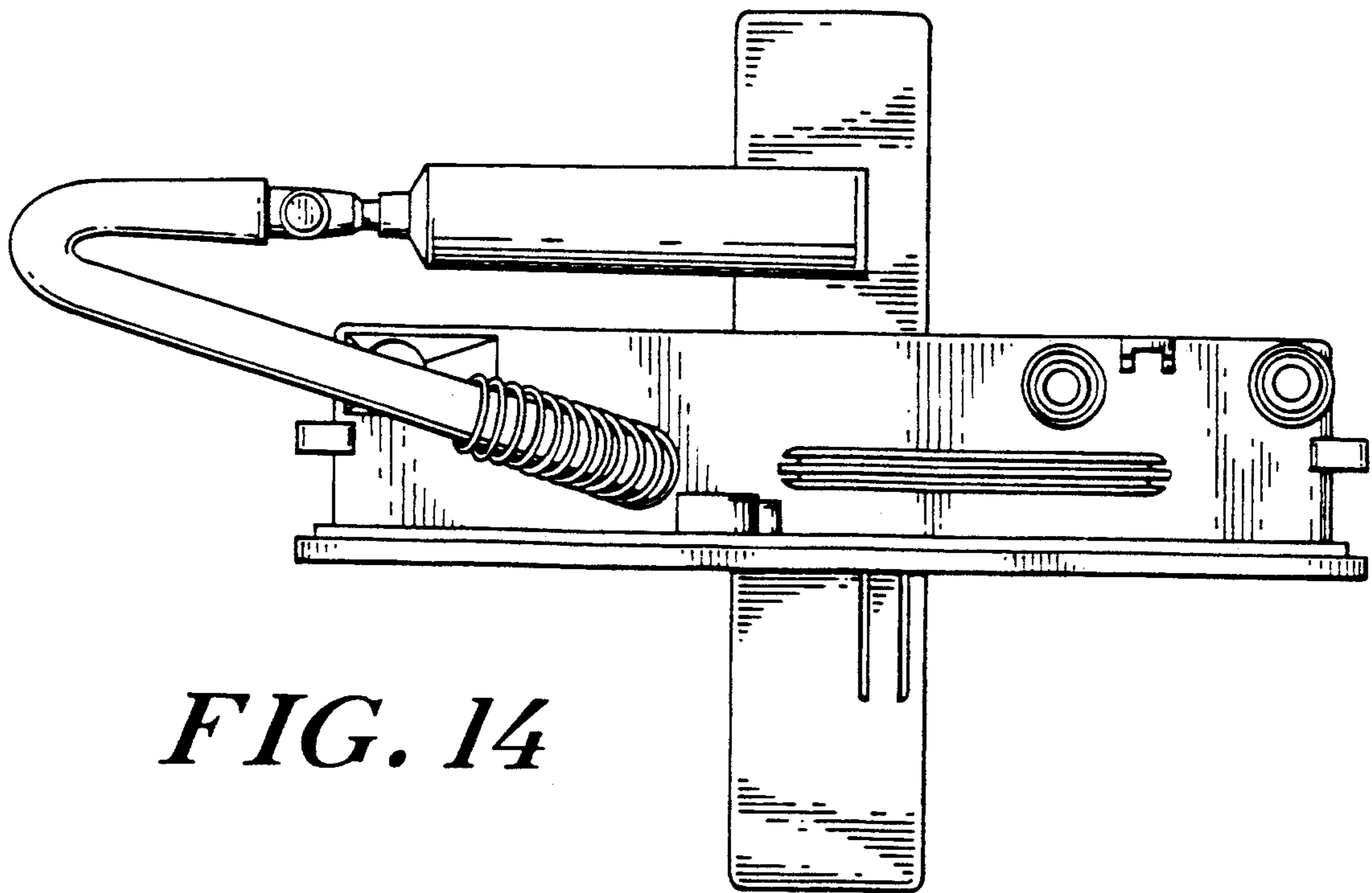


FIG. 14

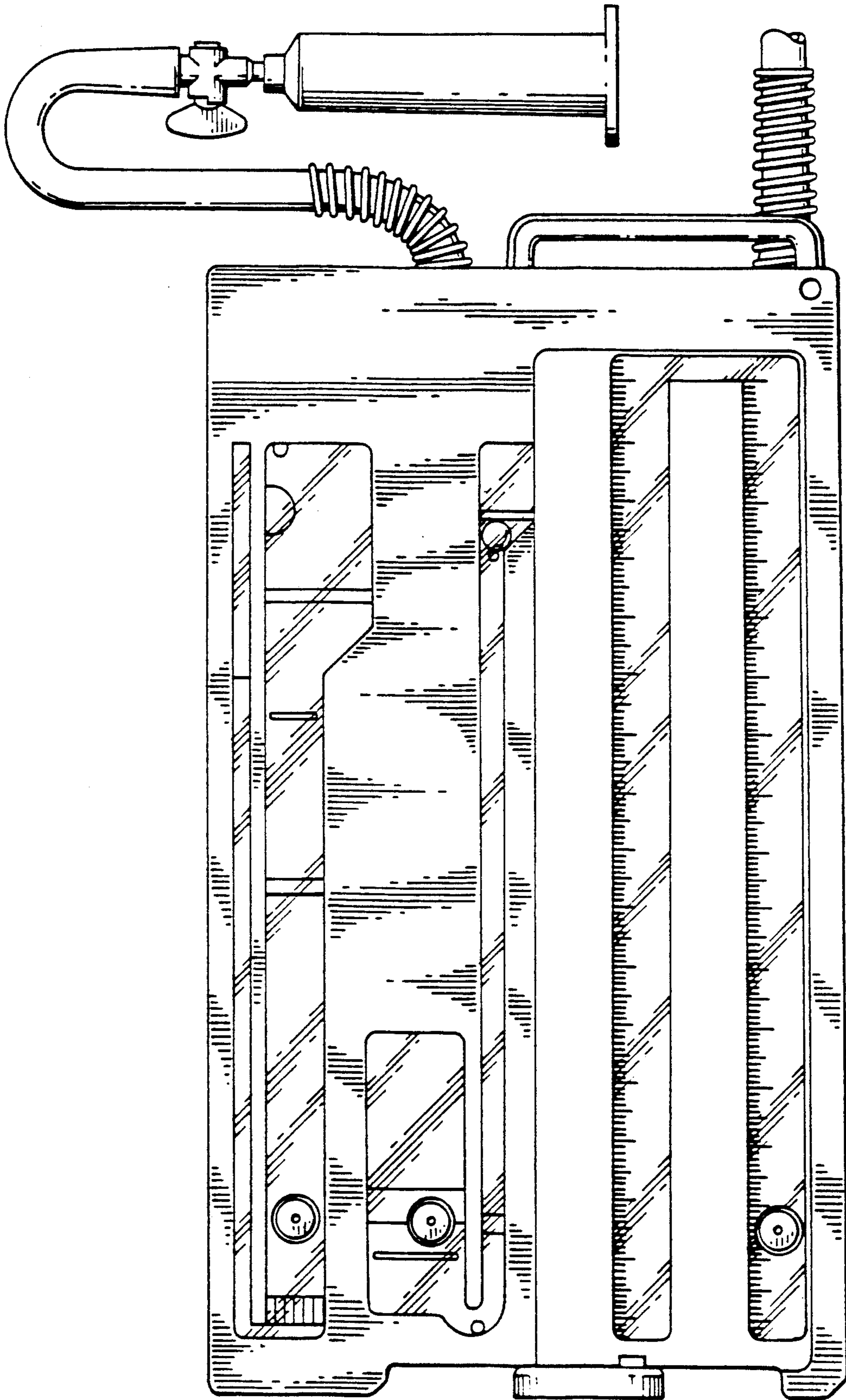


FIG. 15

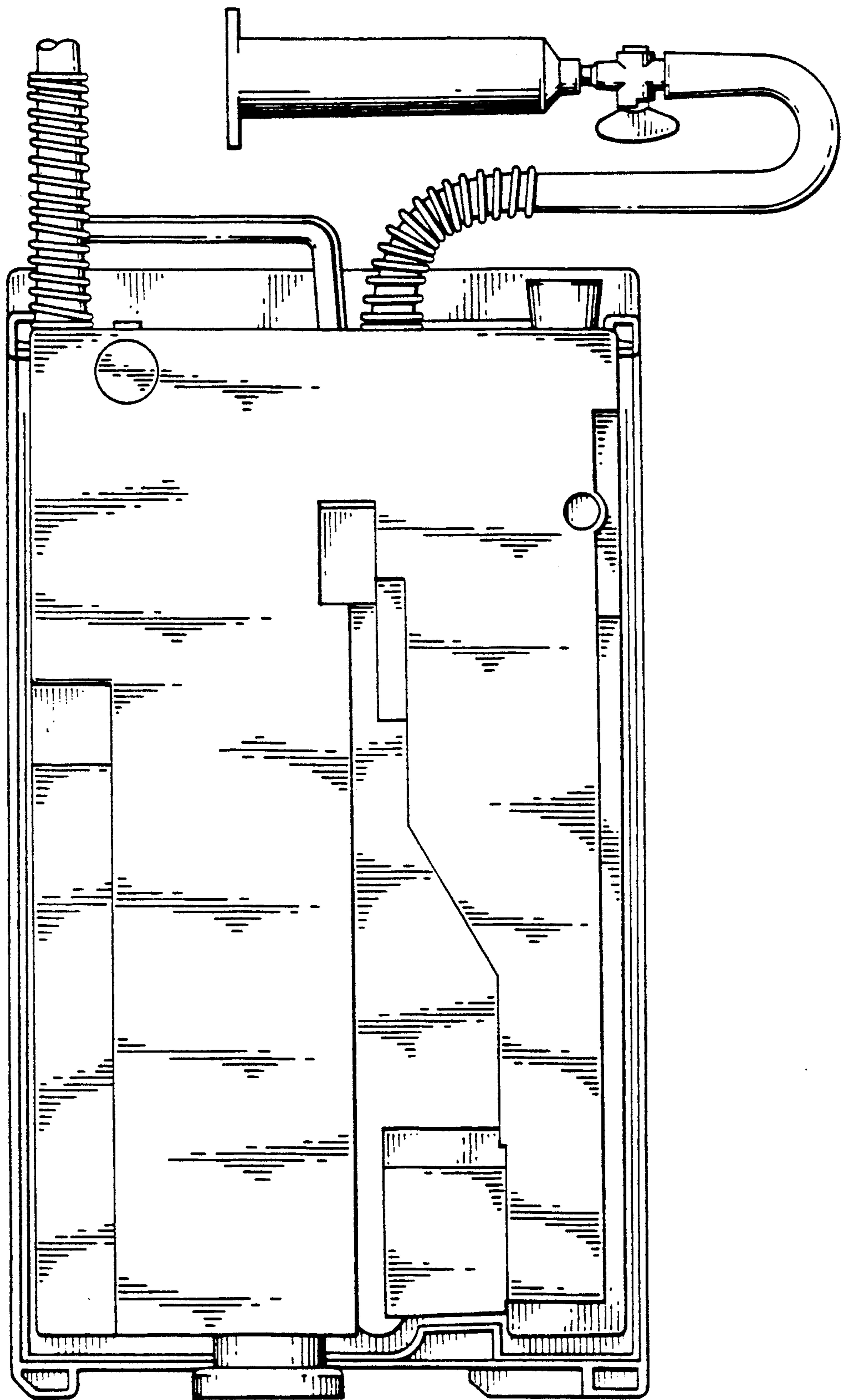


FIG. 16

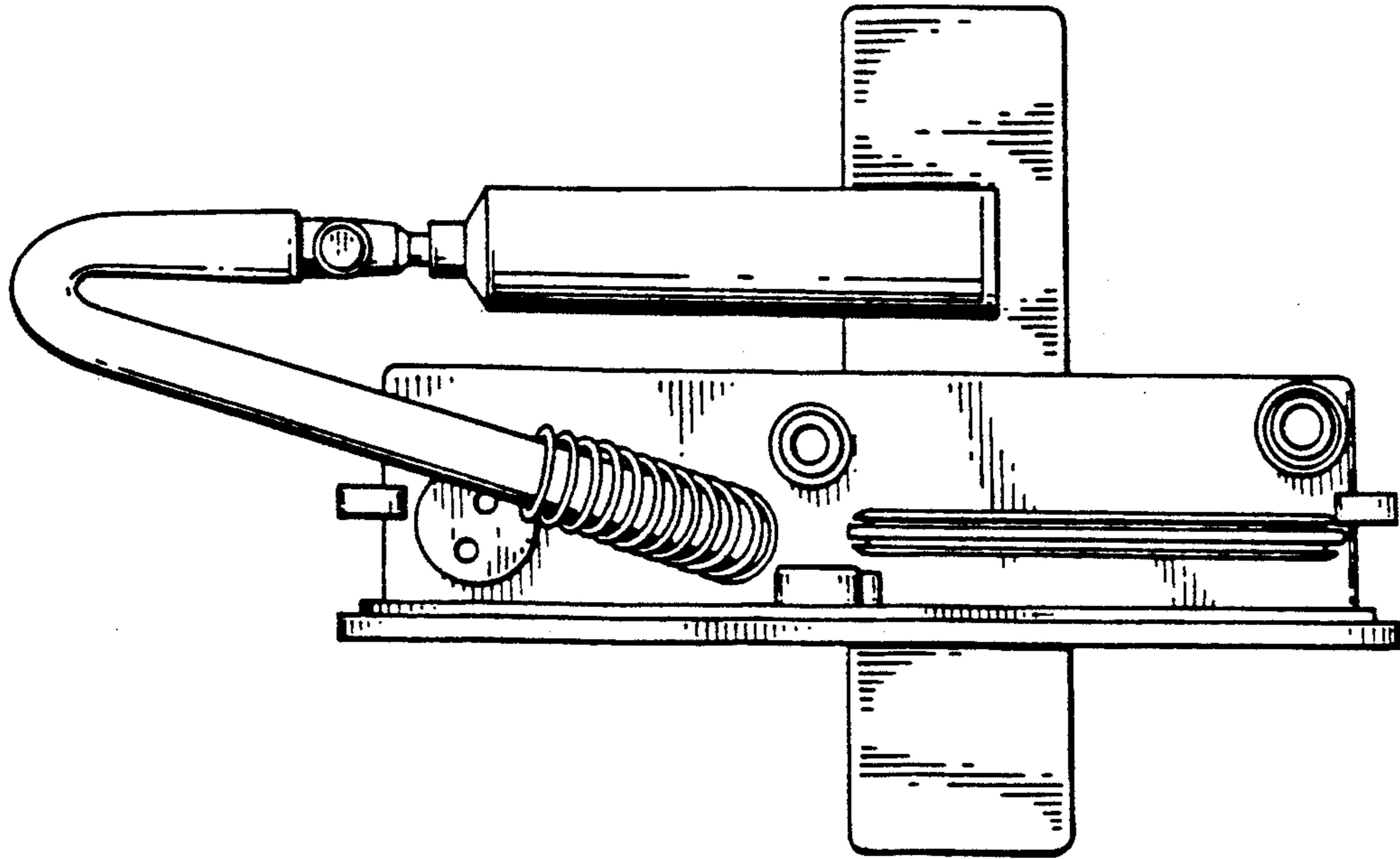


FIG. 17

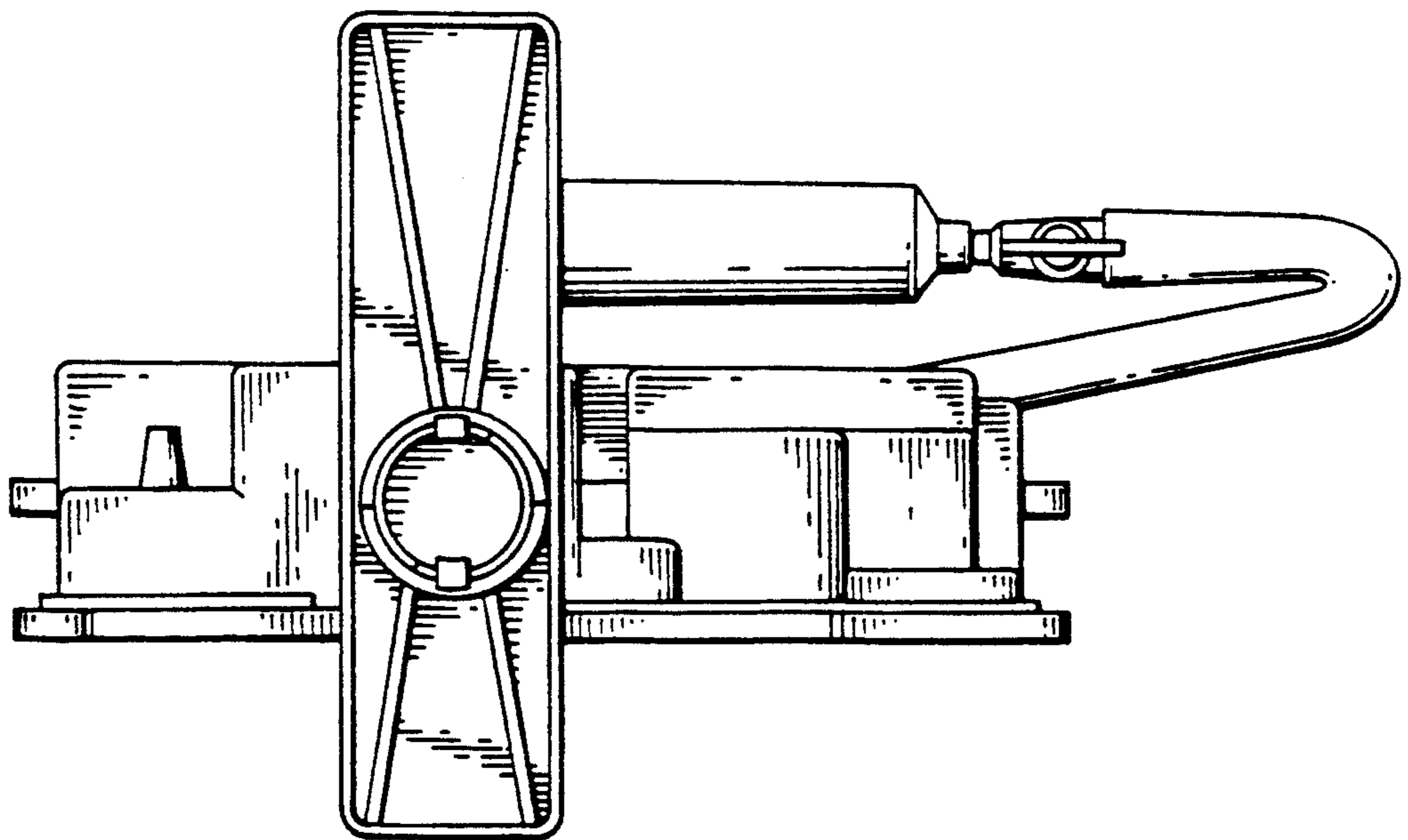


FIG. 18

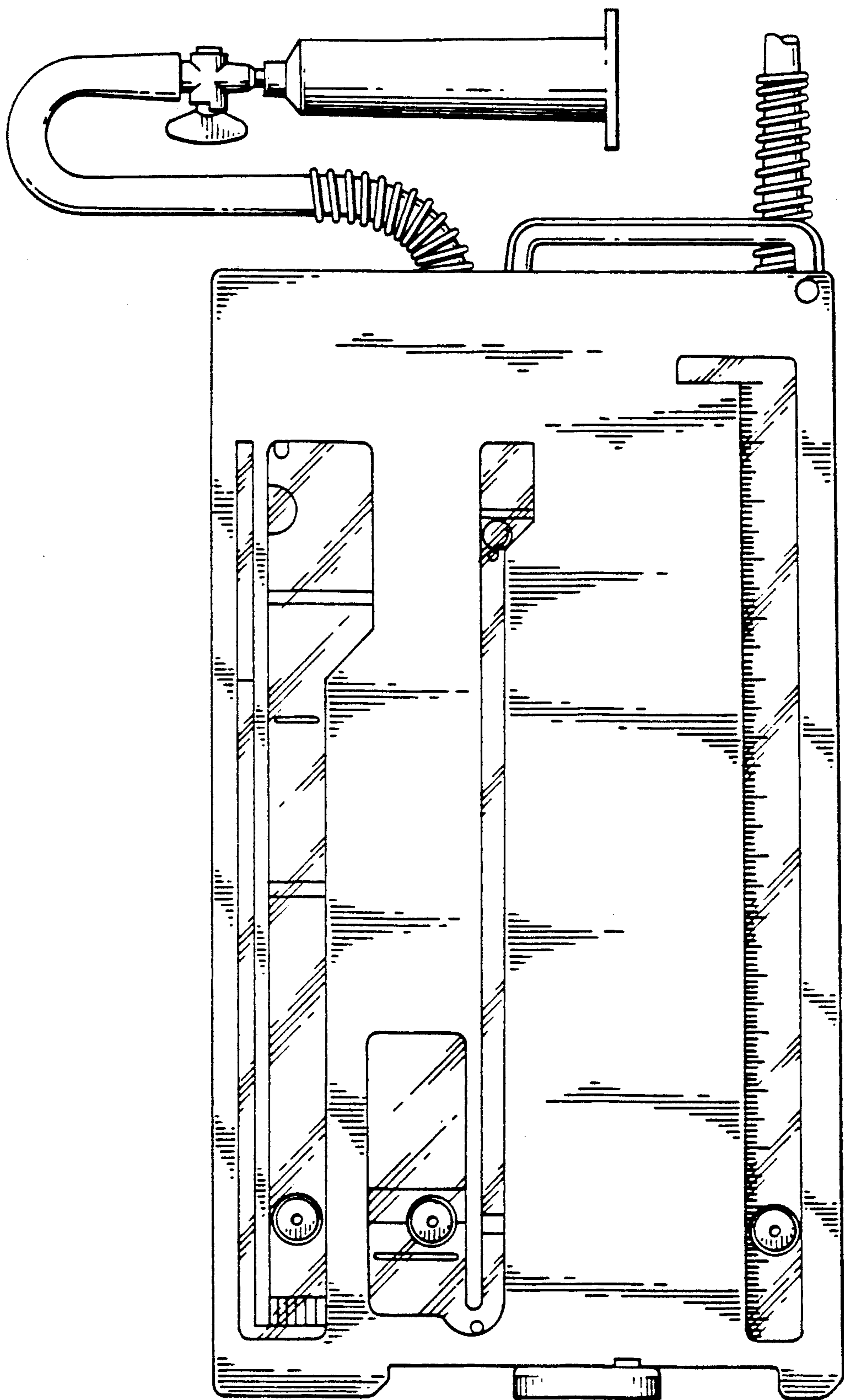


FIG. 19

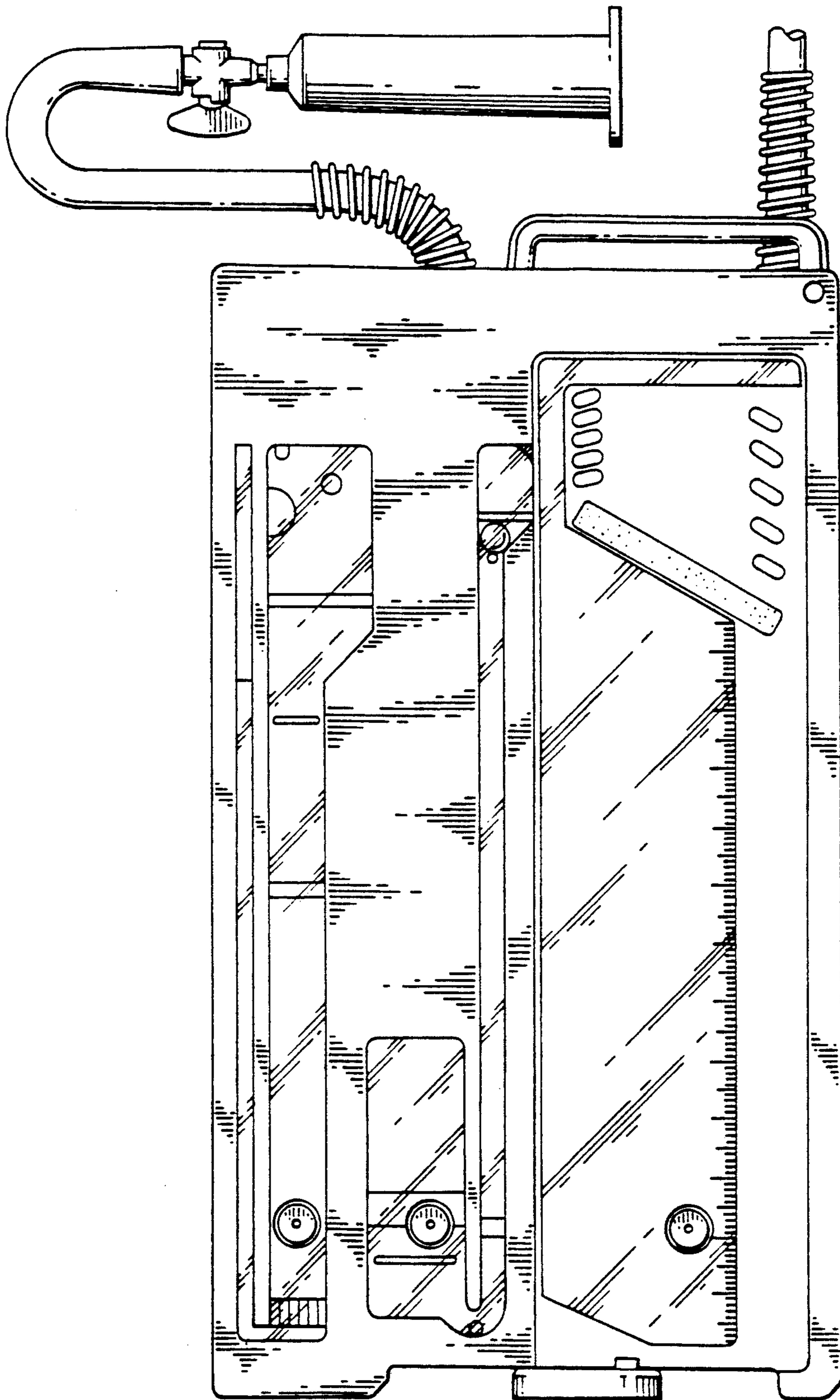


FIG. 20

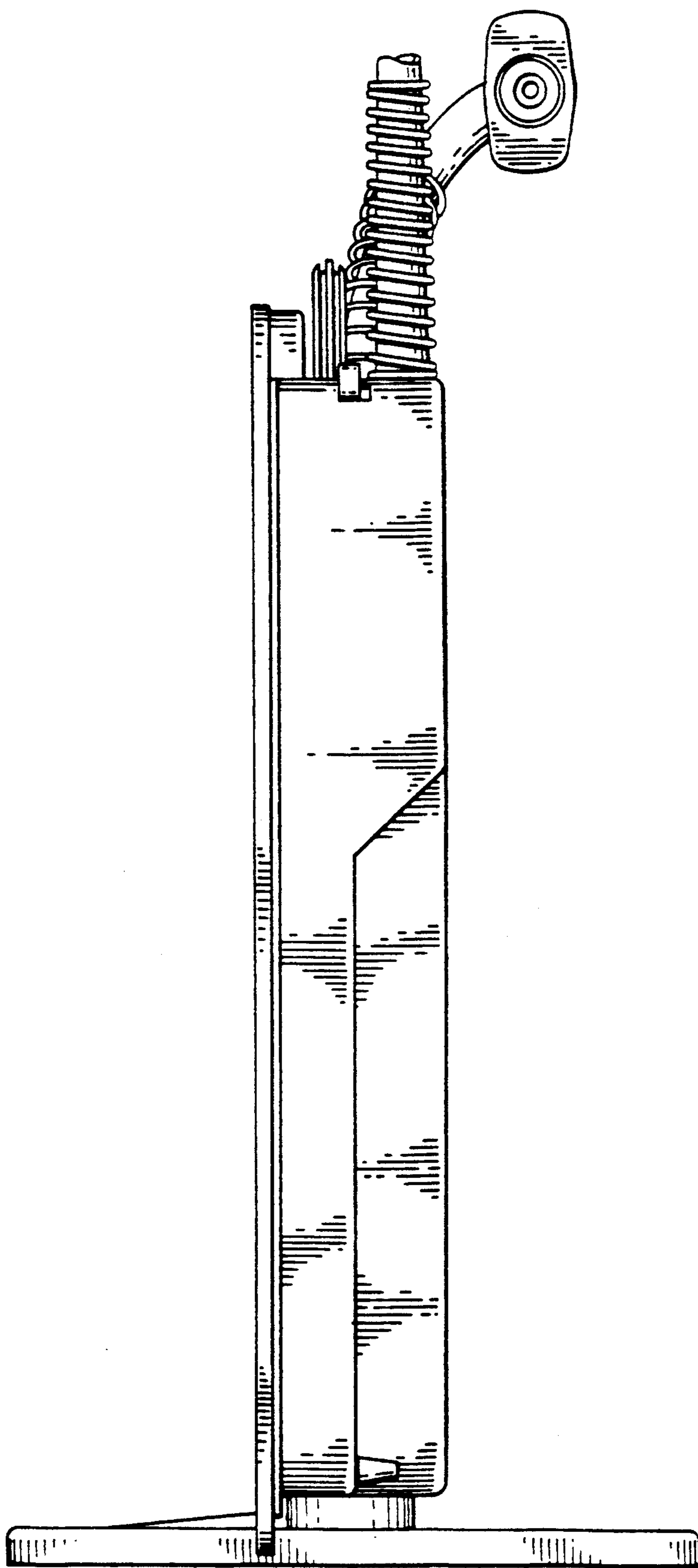


FIG. 21