



US00D340279S

United States Patent [19]

[11] Patent Number: **Des. 340,279**

Mattis

[45] Date of Patent: **** Oct. 12, 1993**

[54] **CONTROLLER FOR BATHROOM FIXTURES**

[75] Inventor: **Hans-Werner Mattis**, Darmstadt, Fed. Rep. of Germany

[73] Assignee: **Knebel & Rottger GmbH & Co.**, Iserlohn, Fed. Rep. of Germany

[**] Term: **14 Years**

[21] Appl. No.: **666,402**

[22] Filed: **Mar. 7, 1991**

[30] **Foreign Application Priority Data**

Oct. 2, 1990 [WO] World Int. Prop. O. DM/017765

[52] U.S. Cl. **D23/246**; D13/164; D14/100

[58] Field of Search D23/233-249; D13/123, 162, 163, 164; D14/100, 102, 106; 137/605, 606, 607; 4/598, 605, 676, 677, 678; 251/129.04; 236/12.12

[56] **References Cited**

U.S. PATENT DOCUMENTS

- D. 193,603 9/1962 Moore D23/239
- D. 194,141 11/1962 Manville D23/249
- D. 199,610 11/1964 Boyles D23/241
- D. 202,407 9/1965 Grasmehr D23/243

- D. 235,145 5/1975 Fernandez D23/245
- D. 247,717 4/1978 Sturman et al. D23/245
- D. 253,843 1/1980 Fernandez D23/245
- D. 295,779 5/1988 Bruninga et al. D23/245
- D. 298,625 11/1988 Gore D14/102
- 3,348,019 10/1967 Miller et al. 4/676 X
- 3,374,957 3/1968 Tyler 4/676 X
- 4,945,943 8/1990 Cogger 4/677 X
- 4,965,894 10/1990 Baus 4/605

Primary Examiner—James R. Largen
Attorney, Agent, or Firm—Herbert Dubno; Ronald Lianides

[57] **CLAIM**

The ornamental design for a controller for bathroom fixtures, as shown and described.

DESCRIPTION

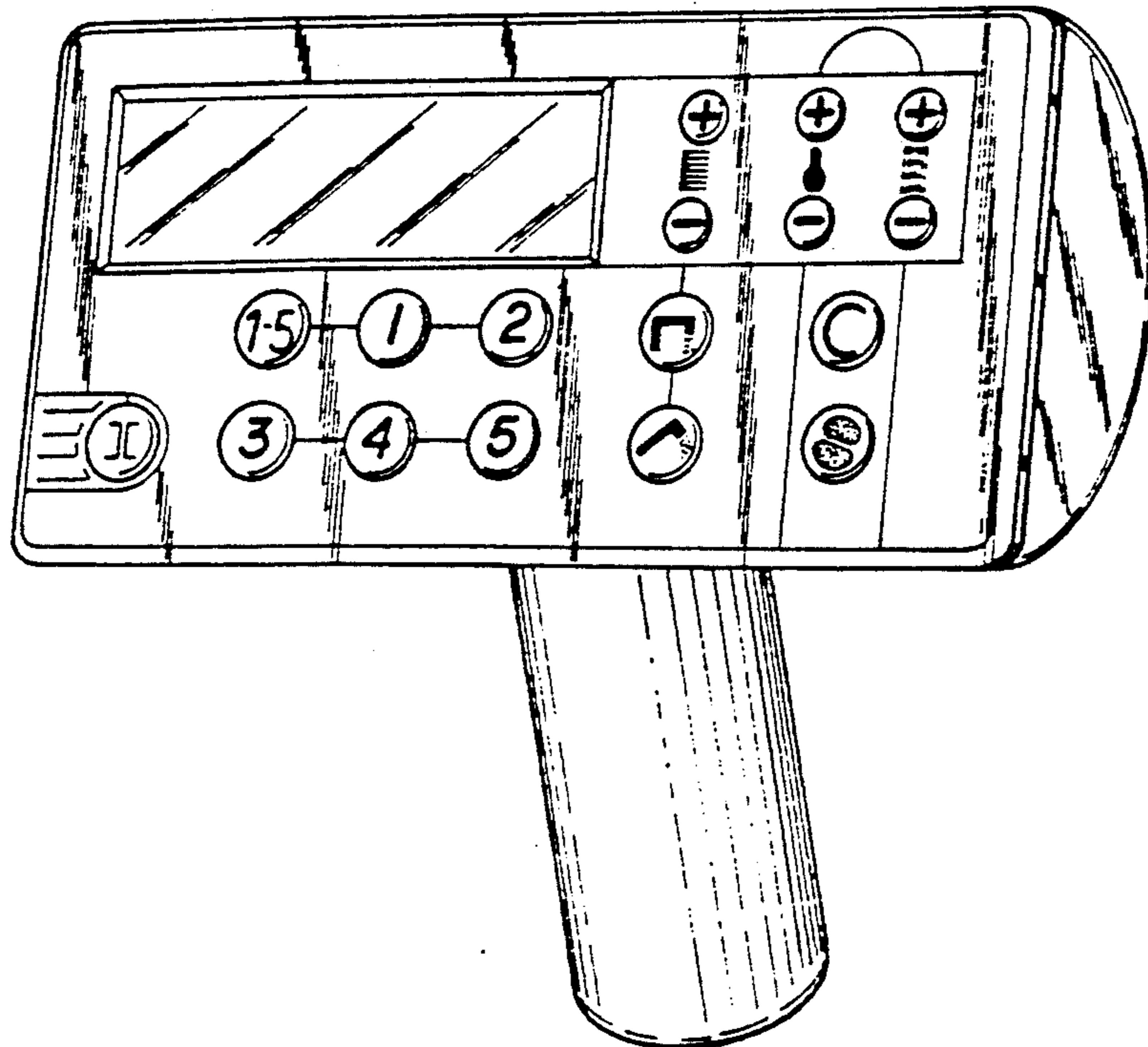
FIG. 1 is a perspective view taken from the front and right side of a controller for bathroom fixtures showing my new design;

FIG. 2 is a perspective view taken from the bottom, rear and left side thereof;

FIG. 3 is a front elevational view of a second embodiment thereof;

FIG. 4 is a perspective taken from the top, rear and right side of FIG. 3, the left side being a mirror image of the right side; and,

FIG. 5 is a bottom plan view of FIG. 3.



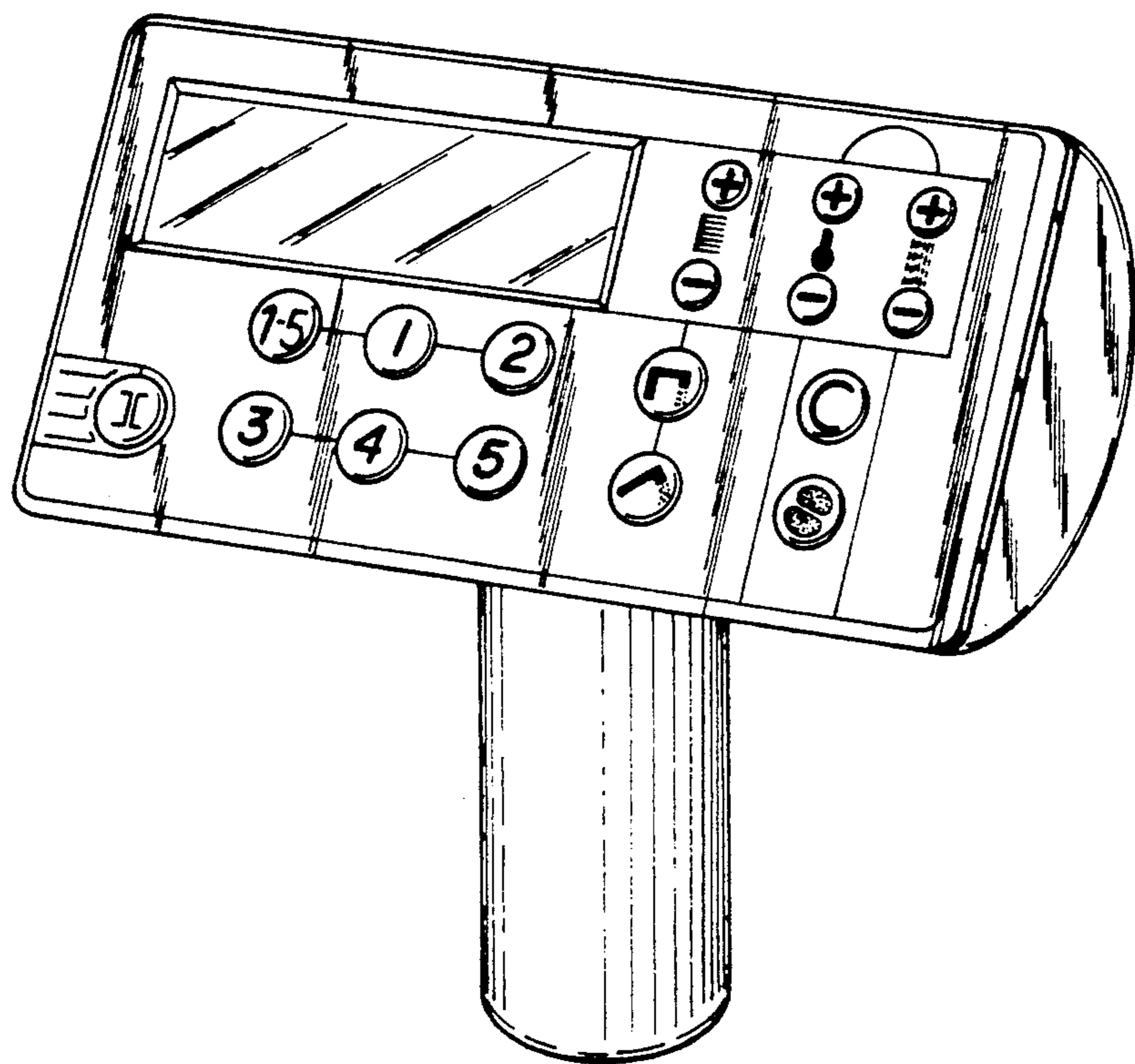


FIG. 1

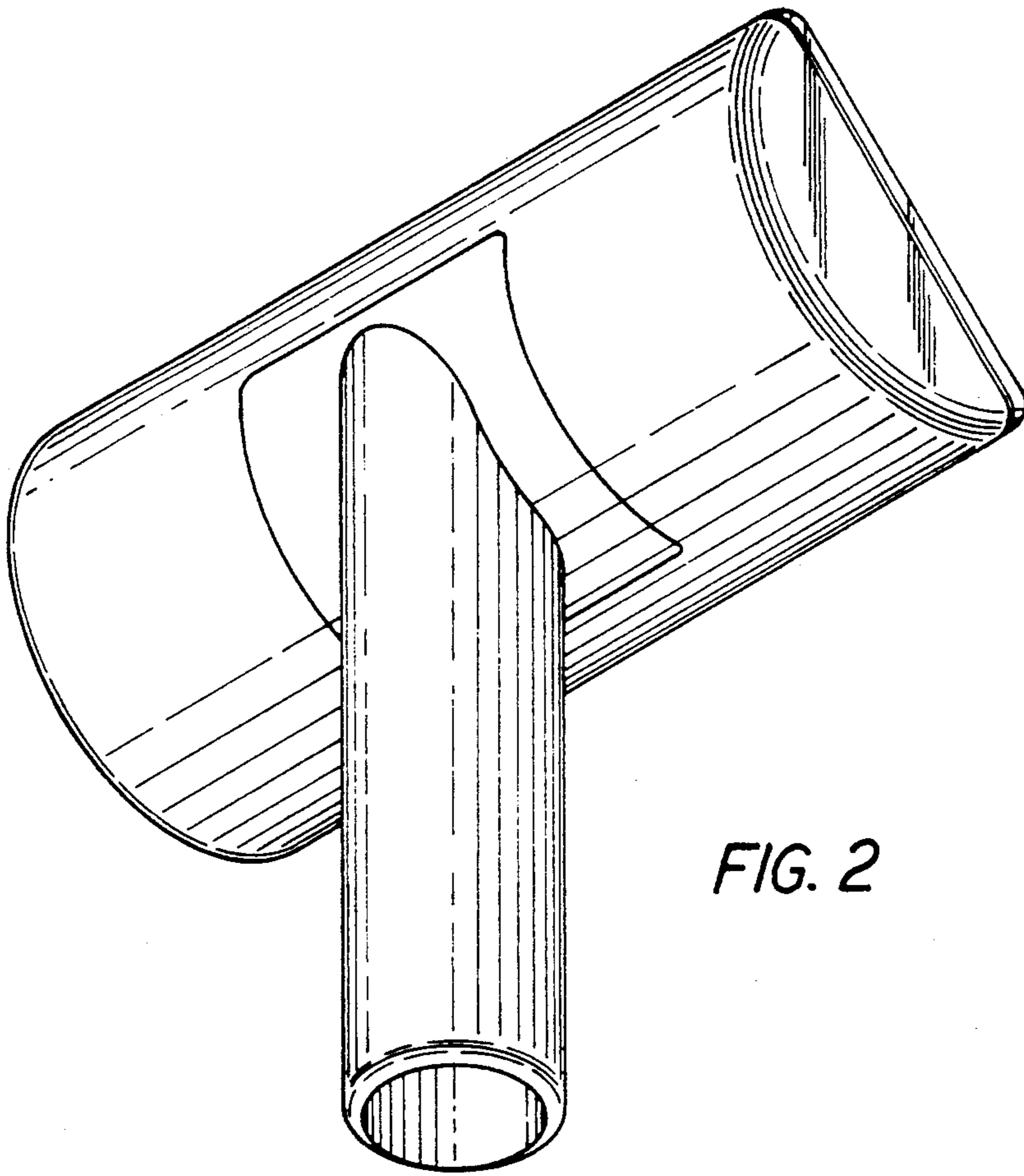


FIG. 2

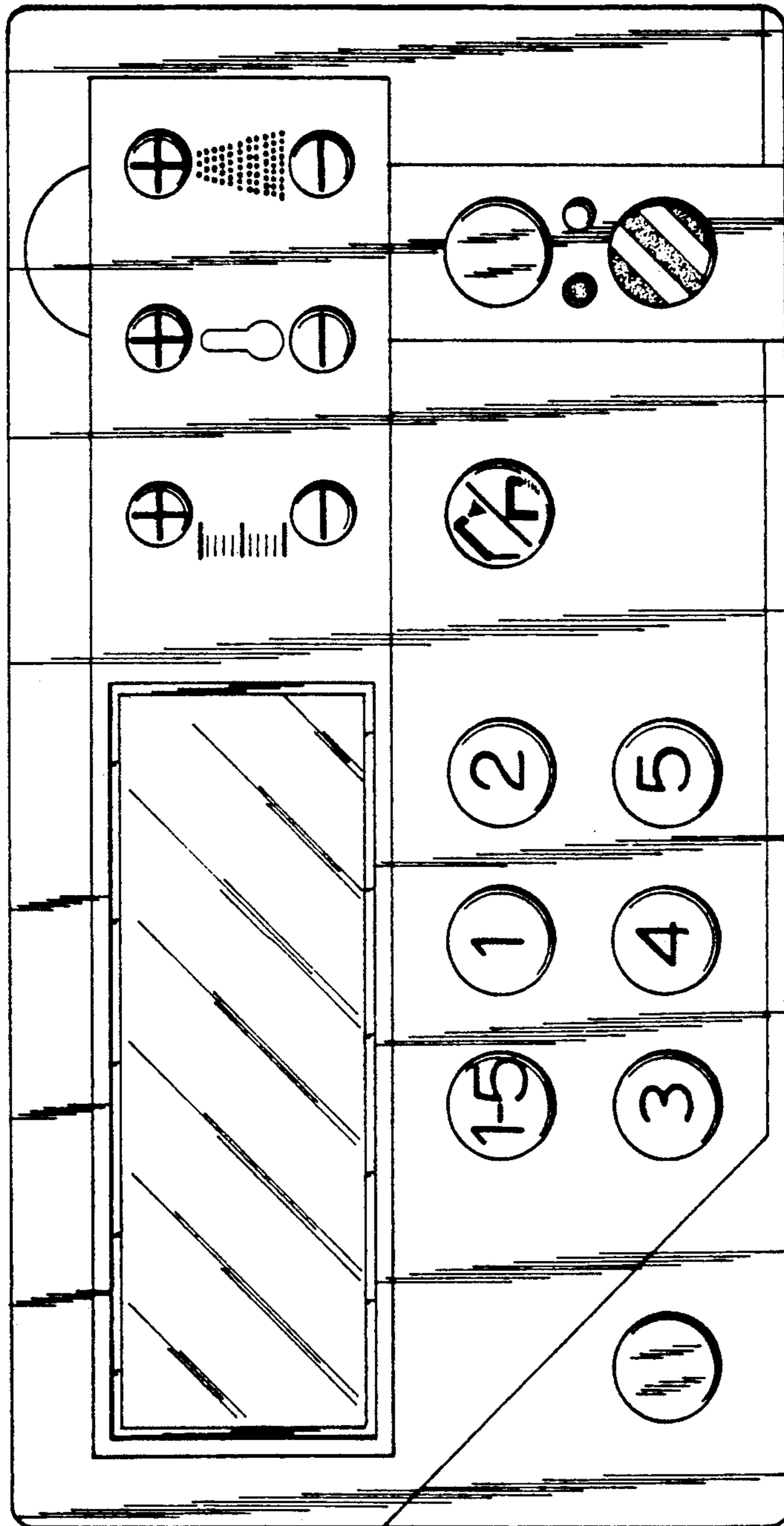


FIG. 3

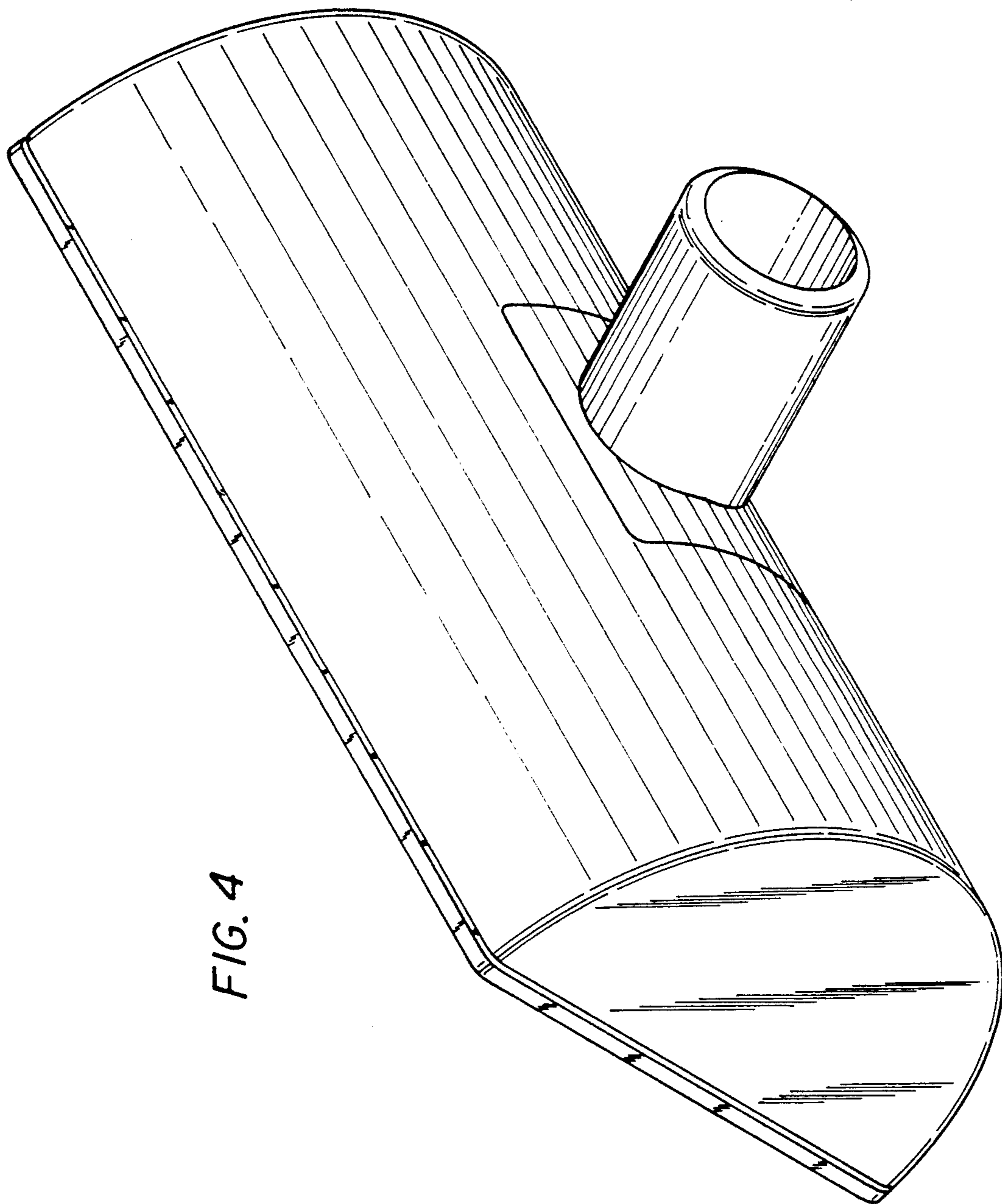


FIG. 4

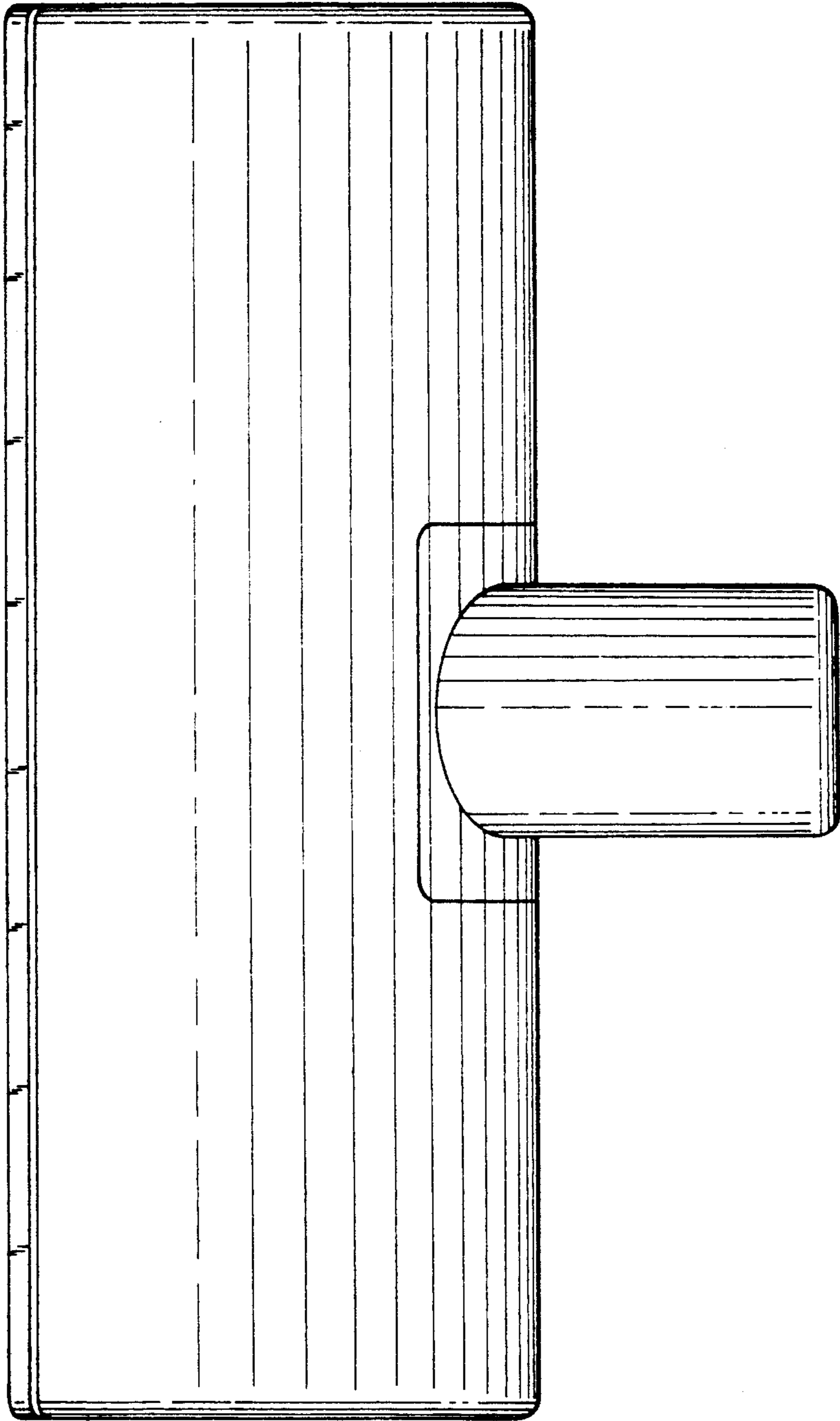


FIG. 5