



US00D340275S

United States Patent [19]

[11] Patent Number: **Des. 340,275**

Haun

[45] Date of Patent: **** Oct. 12, 1993**

[54] **HAND PROPELLED SWING**

4,289,310 9/1981 Weakly 472/118
5,067,706 11/1991 Tsai 472/118

[76] Inventor: **Fred V. Haun**, 6813 Commonwealth Blvd., Parma Heights, Ohio 44130

OTHER PUBLICATIONS

Mexico Forge Cat., 1968, p. 18, as shown.
Sunset Publication, 1986, Children's Room p. 6 Baby Swing.

[**] Term: **14 Years**

Primary Examiner—Bernard Ansher
Assistant Examiner—Prabhakar Deshmukh
Attorney, Agent, or Firm—Timmons & Kelly

[21] Appl. No.: **923,170**

[22] Filed: **Aug. 3, 1992**

[52] U.S. Cl. **D21/246**

[58] Field of Search D21/240-246,
D21/249; 472/118-125

[57] CLAIM

The ornamental design for a hand propelled swing, as shown and described.

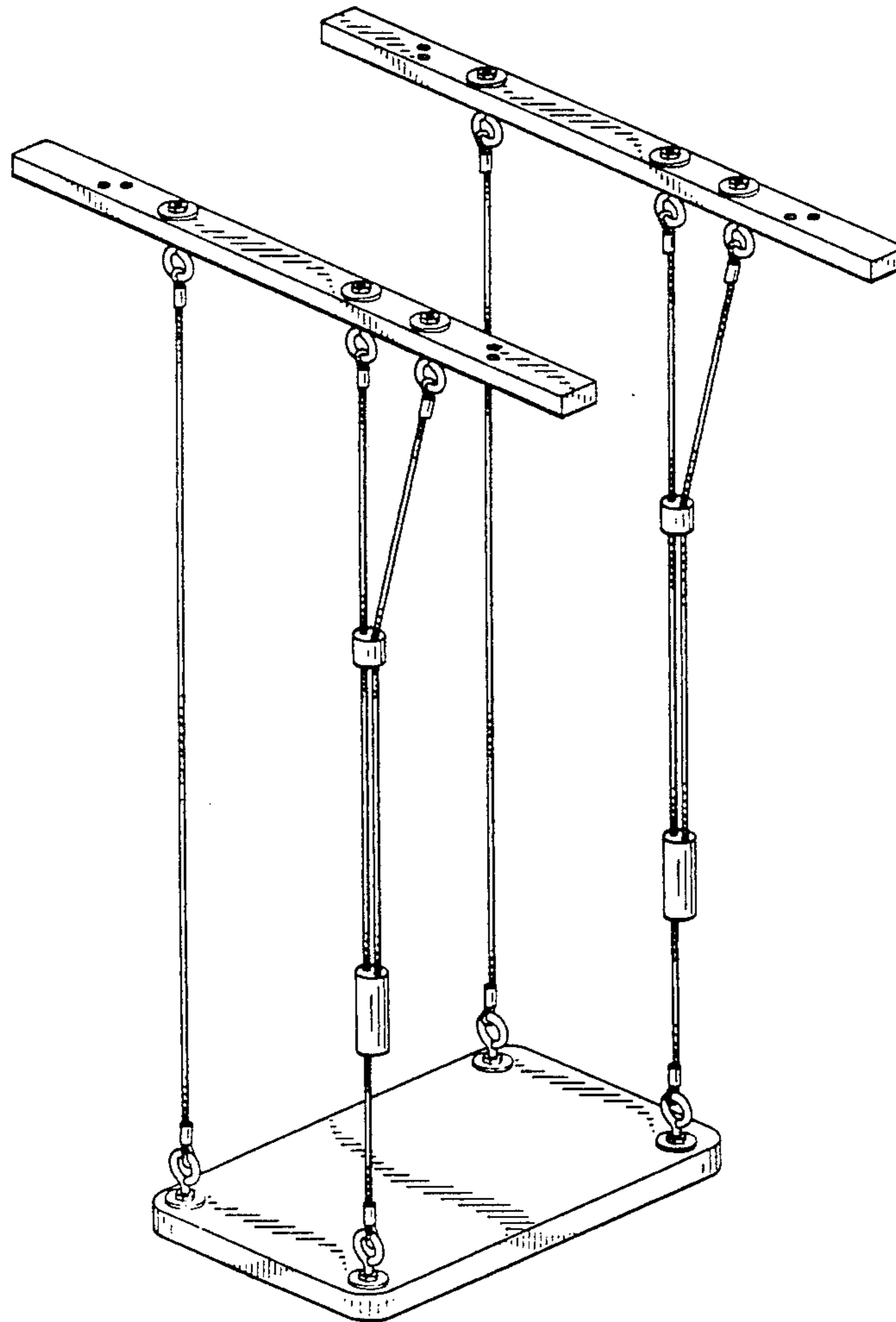
[56] References Cited

U.S. PATENT DOCUMENTS

D. 55,384	6/1920	Kingsbury et al.	D21/246
82,998	10/1868	Seaver	472/122
D. 275,508	4/1984	Osterman	D21/246
1,363,453	12/1920	Brown	D21/246 X
1,490,619	4/1924	Manikowske et al.	472/122 X
1,924,683	8/1933	Fletcher	472/122
1,960,671	5/1934	Goff	472/122
2,513,021	6/1950	Harrold	472/122
2,601,887	7/1952	Petersen et al.	472/122
3,889,944	6/1975	Sapienza	472/122

DESCRIPTION

FIG. 1 is a perspective view of a hand propelled swing showing my new design;
FIG. 2 is a front elevation thereof;
FIG. 3 is a rear elevation thereof;
FIG. 4 is a side elevation thereof, the opposite side being a mirror image of the view shown;
FIG. 5 is a top plan view thereof; and,
FIG. 6 is a bottom plan view thereof.



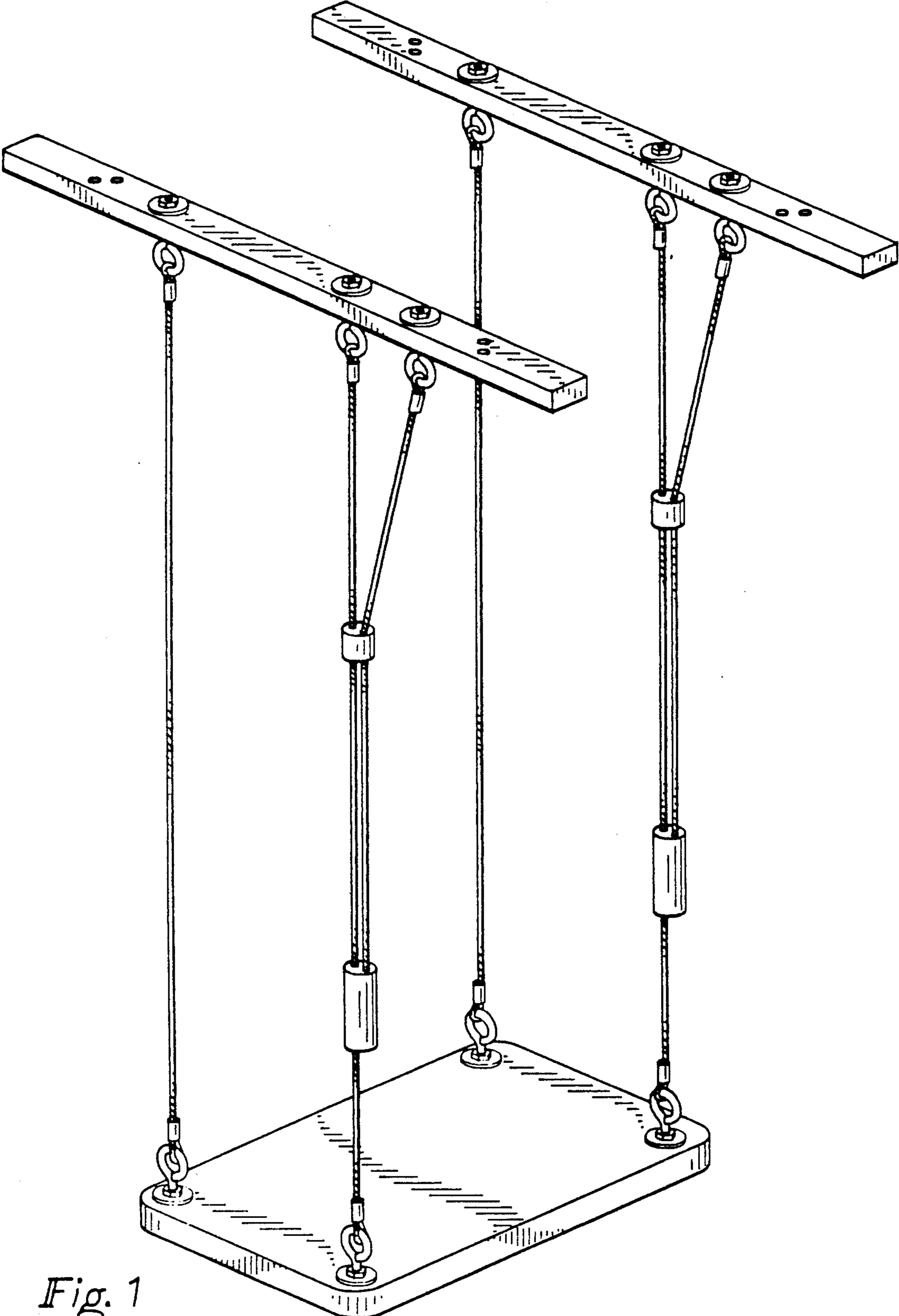


Fig. 1

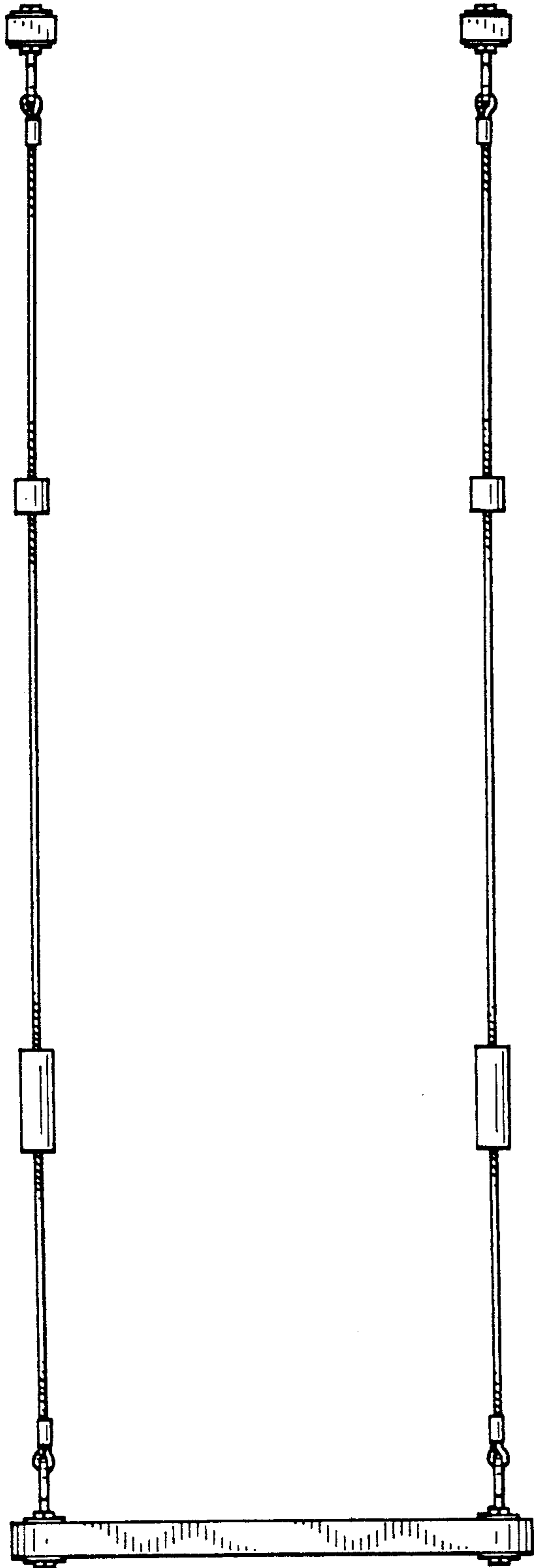


Fig. 2

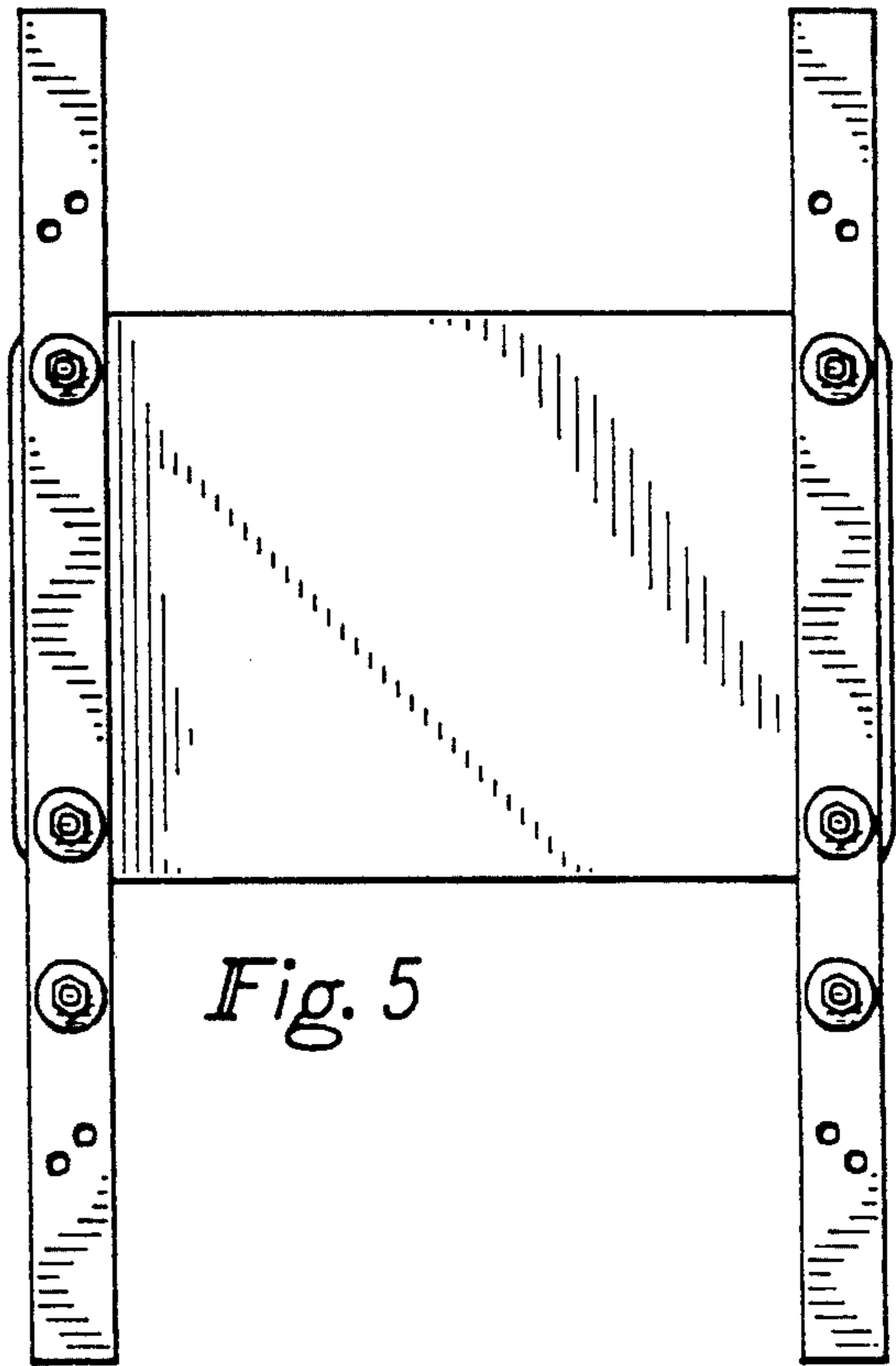


Fig. 5

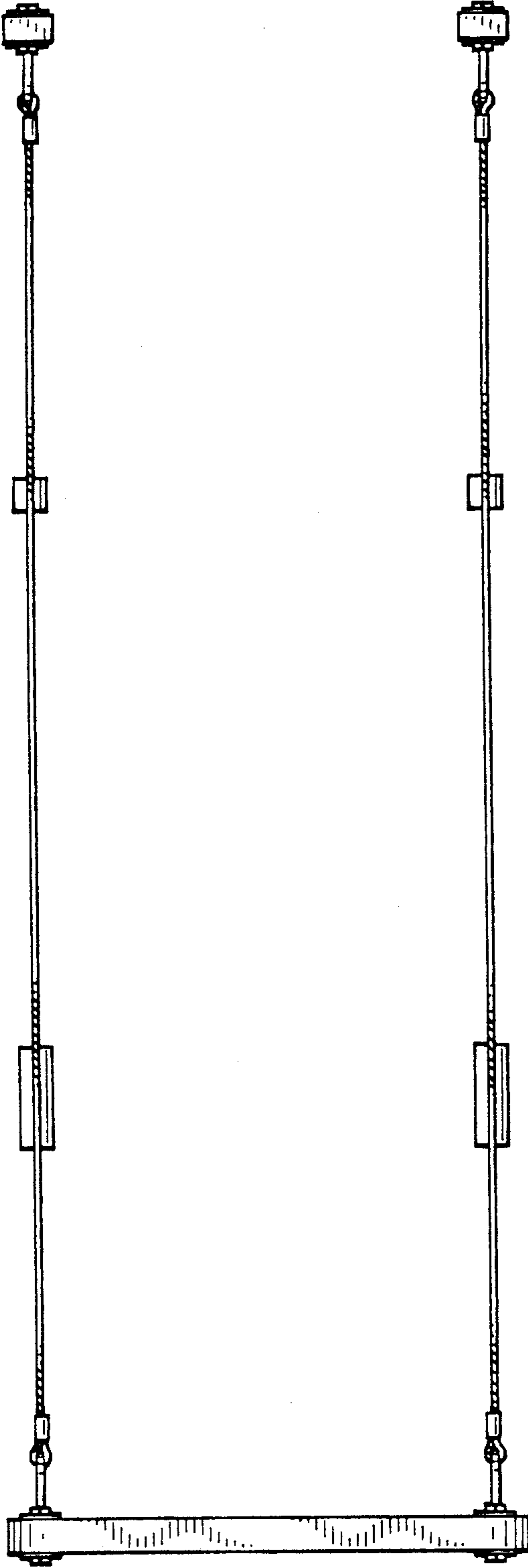


Fig. 3

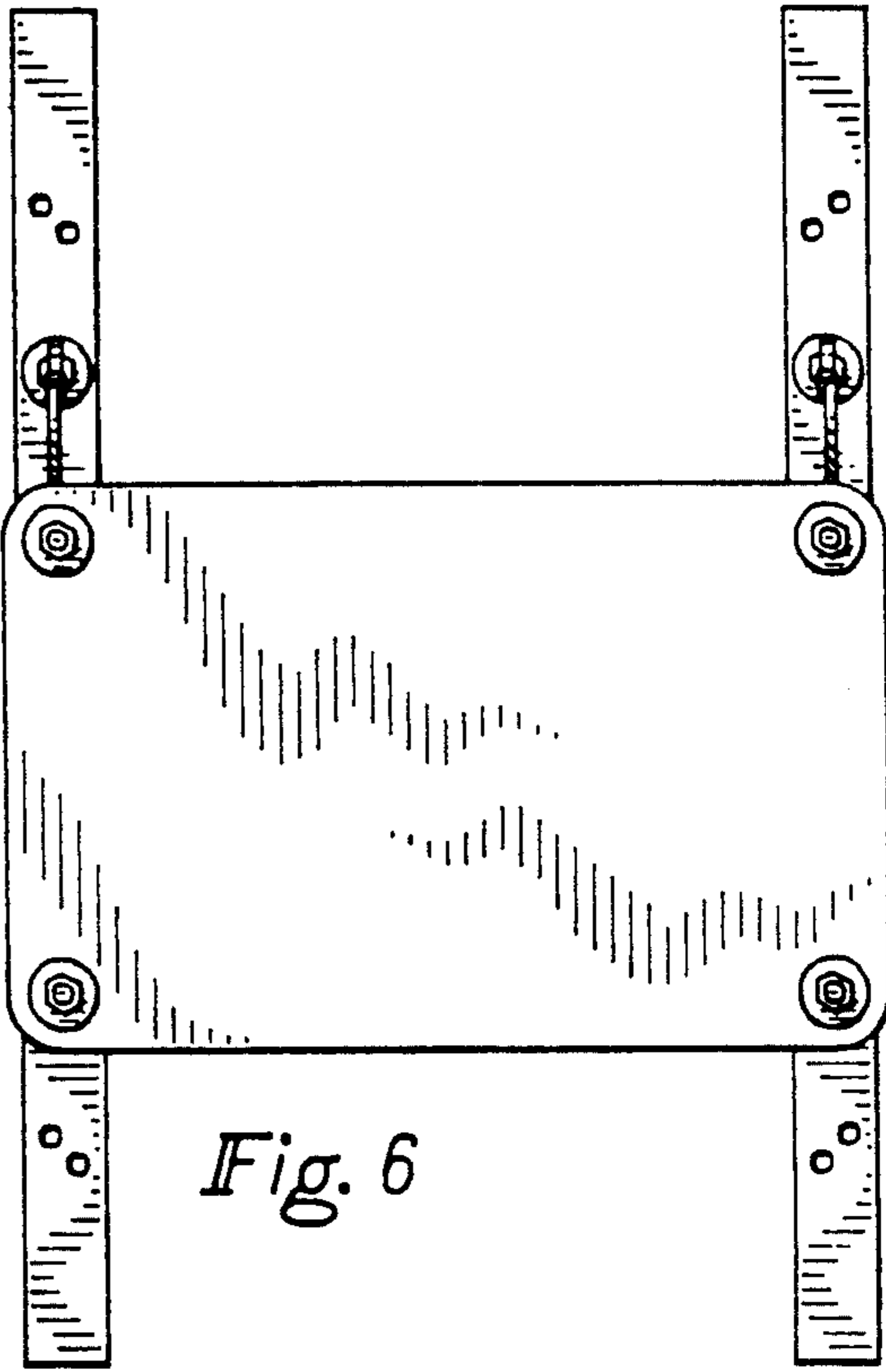


Fig. 6

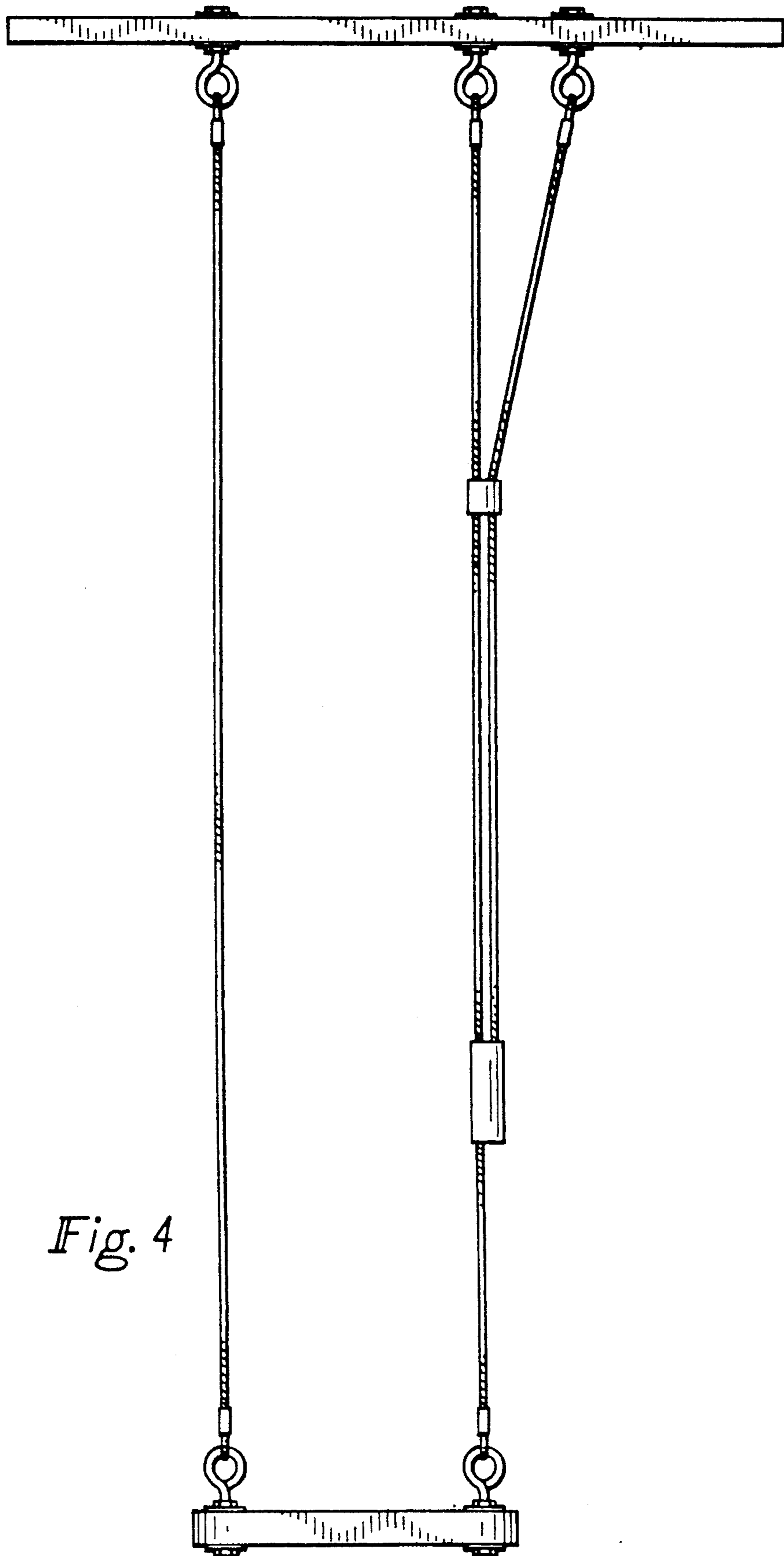


Fig. 4