



US00D340270S

# United States Patent [19]

[11] Patent Number: **Des. 340,270**

Jones

[45] Date of Patent: **\*\* Oct. 12, 1993**

[54] **GOLF TEE HOLDER**

5,052,689 10/1991 Lettrich ..... 273/202

[76] Inventor: **Jay E. Jones**, P.O. Box 470, North Lima, Ohio 44452

### OTHER PUBLICATIONS

Grammes #66 Cat., 1941, p. 56, bottom, item No. 32739.

[\*\*] Term: **14 Years**

*Primary Examiner*—Melvin B. Feifer  
*Attorney, Agent, or Firm*—Harpman & Harpman

[21] Appl. No.: **734,816**

[22] Filed: **Jul. 23, 1991**

### [57] CLAIM

[52] U.S. Cl. .... **D21/208; D21/234**

The ornamental design for a golf tee holder, as shown and described.

[58] Field of Search ..... **D21/208, 53, 51, 234; 273/202**

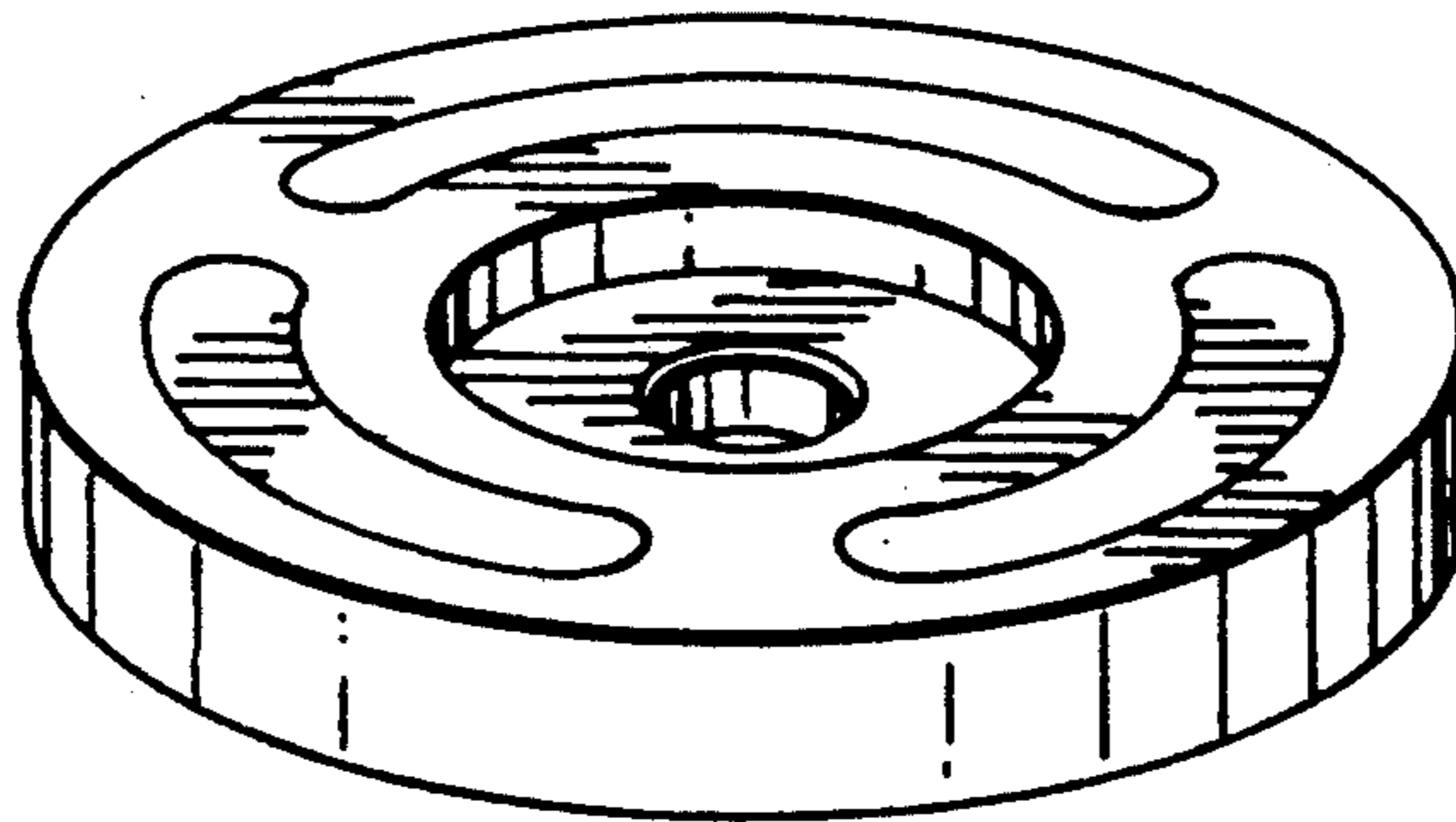
### [56] References Cited

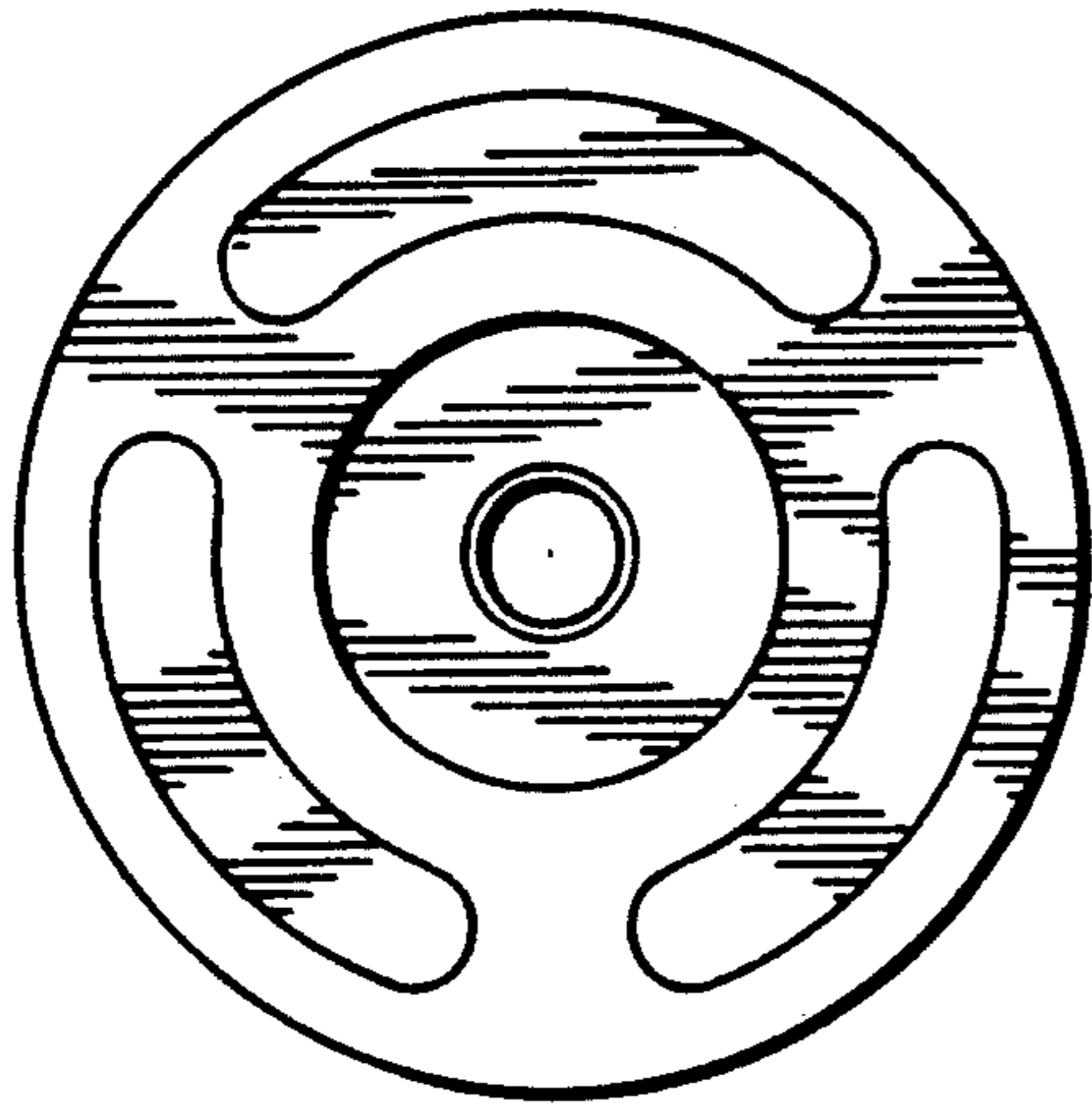
#### U.S. PATENT DOCUMENTS

3,203,700 8/1965 Antonious ..... D21/208  
3,408,079 10/1968 Kirikos ..... D21/208

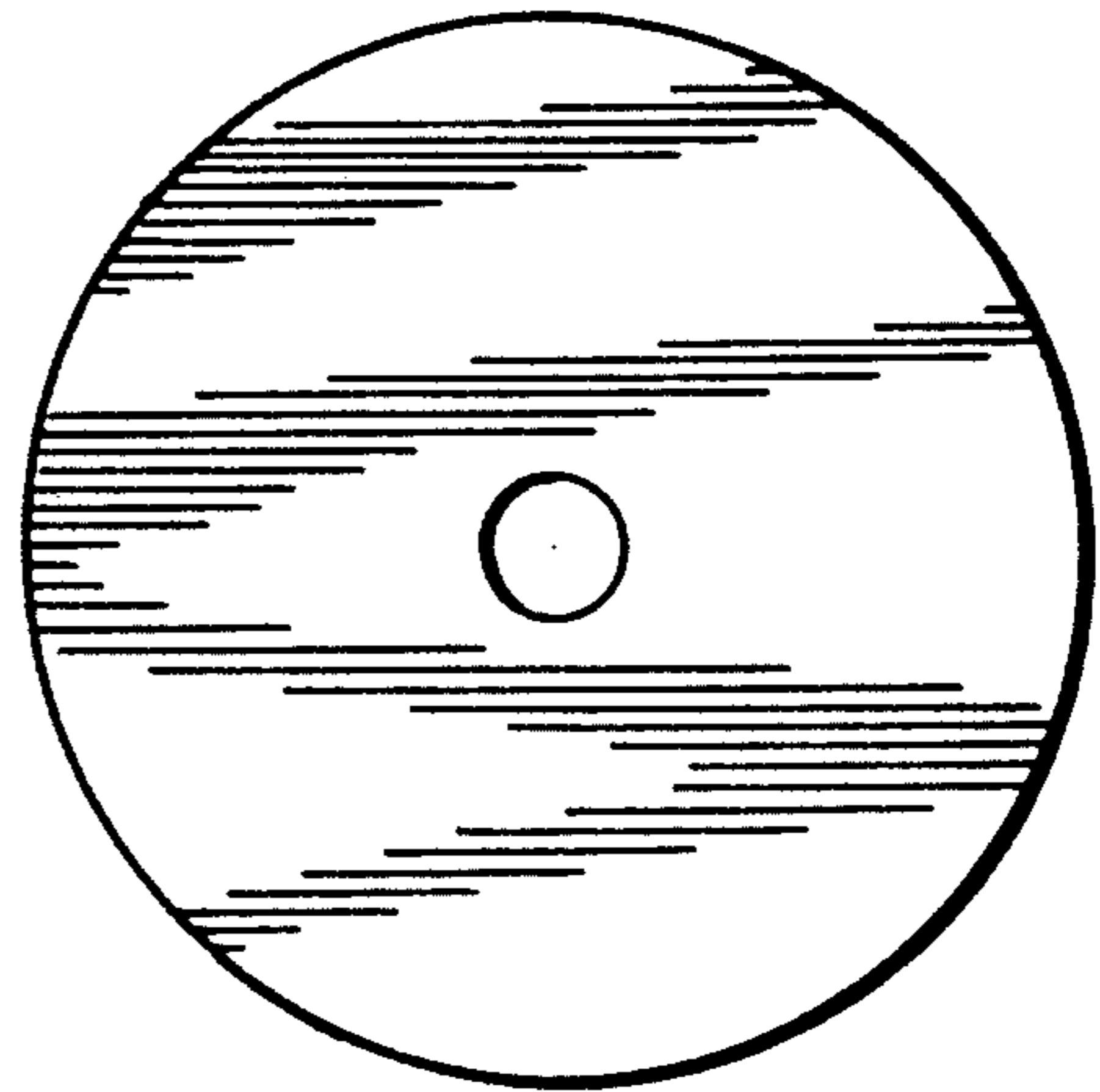
### DESCRIPTION

FIG. 1 is a top plan view of the golf tee holder;  
FIG. 2 is a bottom plan view thereof;  
FIG. 3 is an end view thereof; and,  
FIG. 4 is a perspective view thereof.





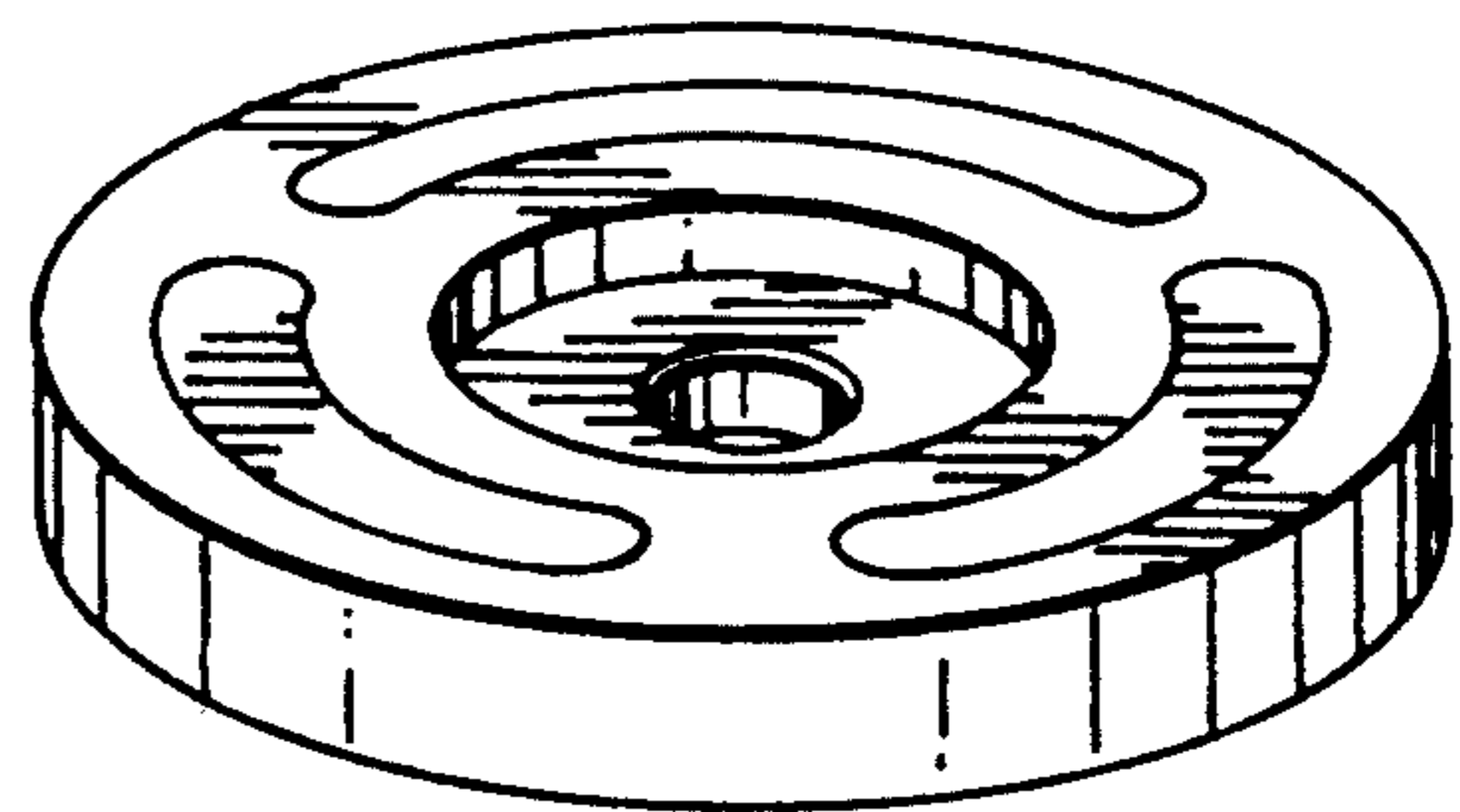
*FIG. 1*



*FIG. 2*



*FIG. 3*



*FIG. 4*