



US00D340262S

United States Patent [19]

[11] Patent Number: **Des. 340,262**

Van Akin

[45] Date of Patent: **** Oct. 12, 1993**

[54] CROSS WORD PUZZLE GAME APPARATUS

[76] Inventor: **Paul W. Van Akin**, 612 Brookhill Dr., Paso Robles, Calif. 93446

[**] Term: **14 Years**

[21] Appl. No.: **669,294**

[22] Filed: **Mar. 14, 1991**

[52] U.S. Cl. **D21/20; D21/25**

[58] Field of Search **D21/14-36; 273/236-285**

FOREIGN PATENT DOCUMENTS

8800079 1/1988 World Int. Prop. O. 273/272

OTHER PUBLICATIONS

Playthings May 1989 p. 10 "Crosswords" game, lower left.

Primary Examiner—Bernard Ansher
Assistant Examiner—Sandra Morris
Attorney, Agent, or Firm—Leon Gilden

[57] CLAIM

The ornamental design for a cross word puzzle game apparatus, as shown and described.

DESCRIPTION

FIG. 1 is a front elevational view of the cross word puzzle game apparatus showing my new design; FIG. 2 is a rear elevational view thereof; FIG. 3 is a left side elevational view thereof; FIG. 4 is a right side elevational view thereof; FIG. 5 is a top plan view thereof; FIG. 6 is a bottom plan view thereof; and, FIG. 7 is a perspective view thereof.

[56] References Cited

U.S. PATENT DOCUMENTS

1,927,342	9/1933	Hedricks	D21/20
3,082,004	3/1963	Friedman	273/241
4,209,173	6/1980	Curtis et al.	273/272
4,280,704	7/1981	Massimei et al.	273/262
4,299,578	11/1981	Wayman	273/272
4,850,595	7/1989	Sherman et al.	273/272

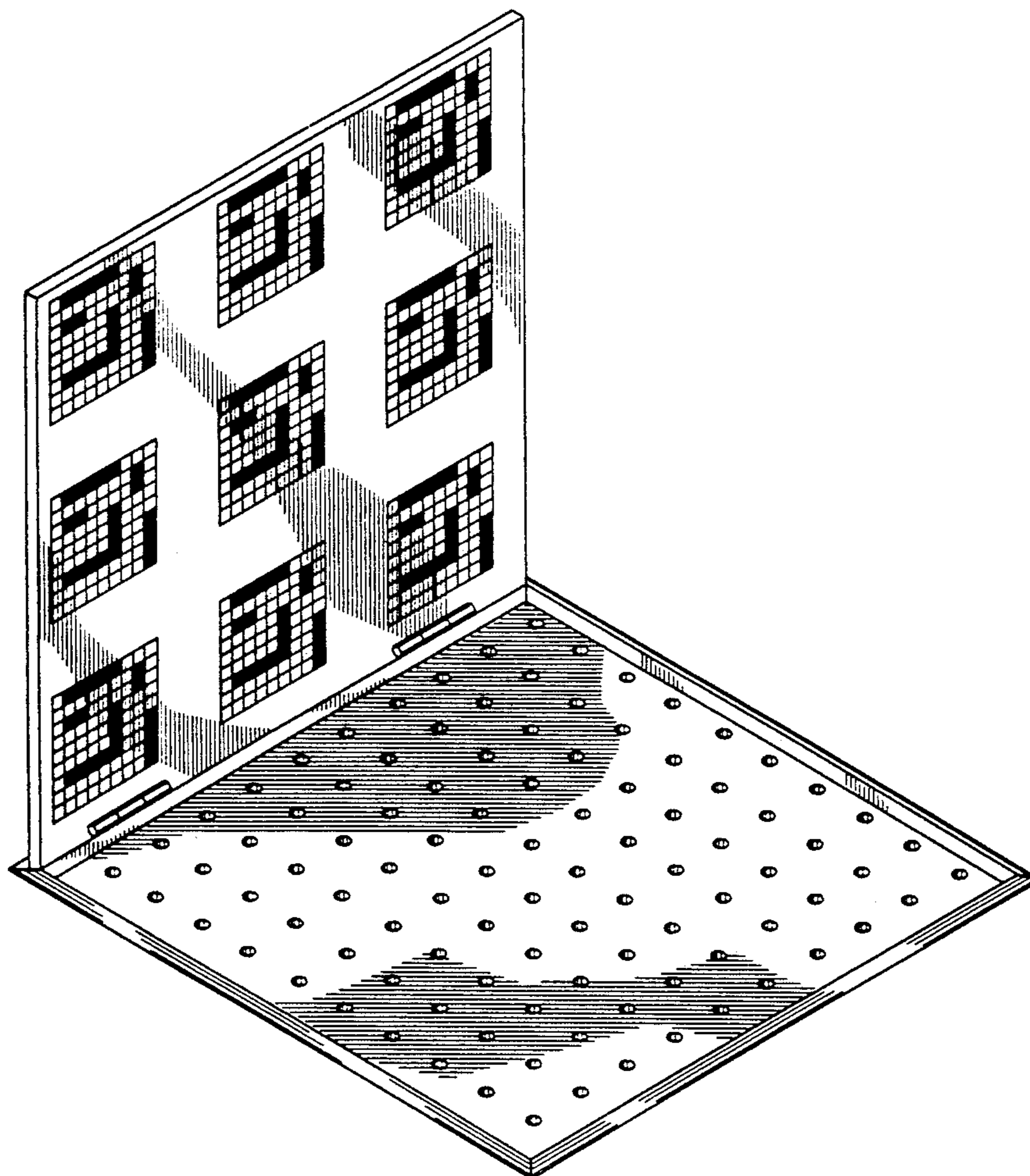


FIG. 1

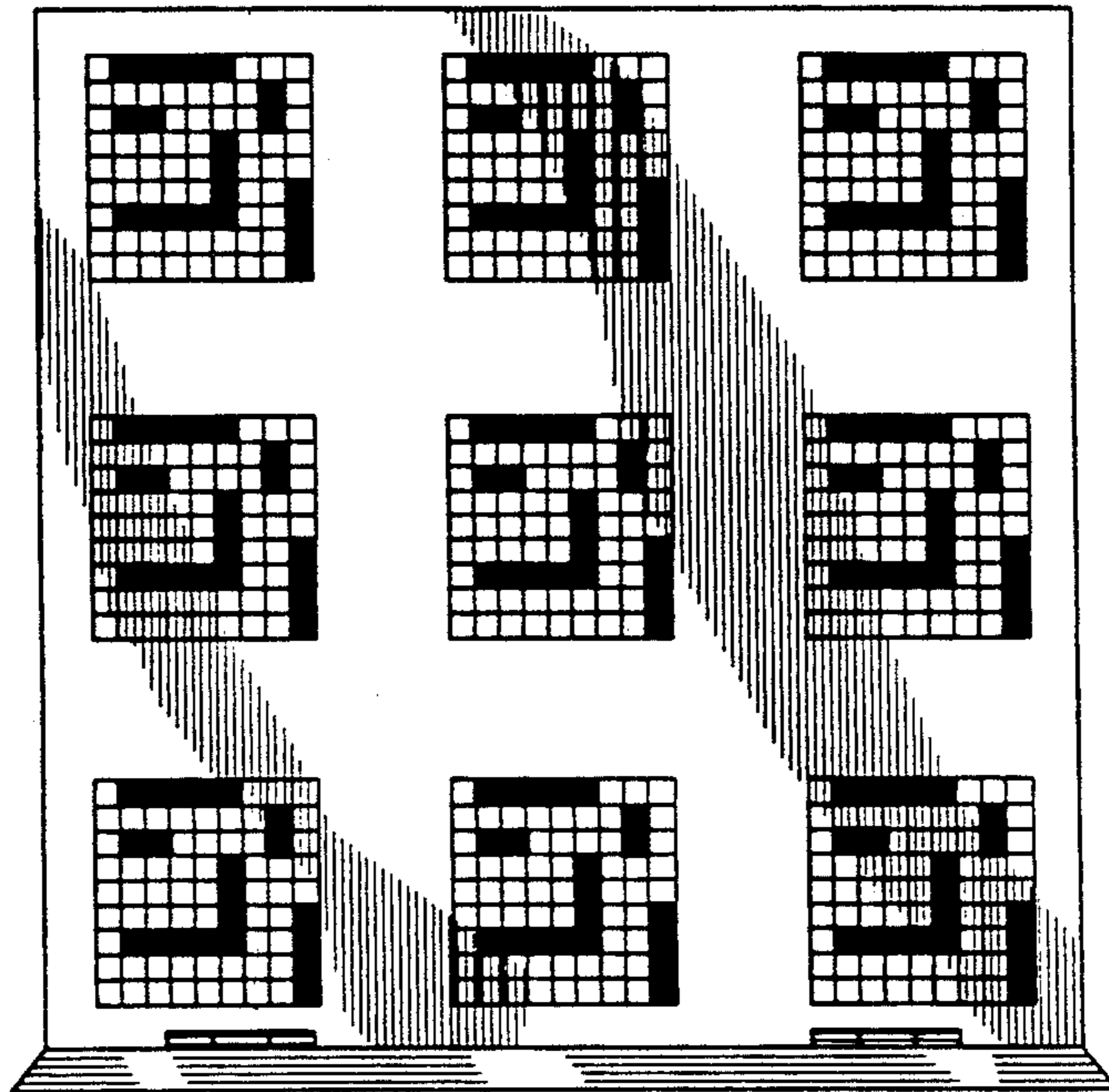


FIG. 2

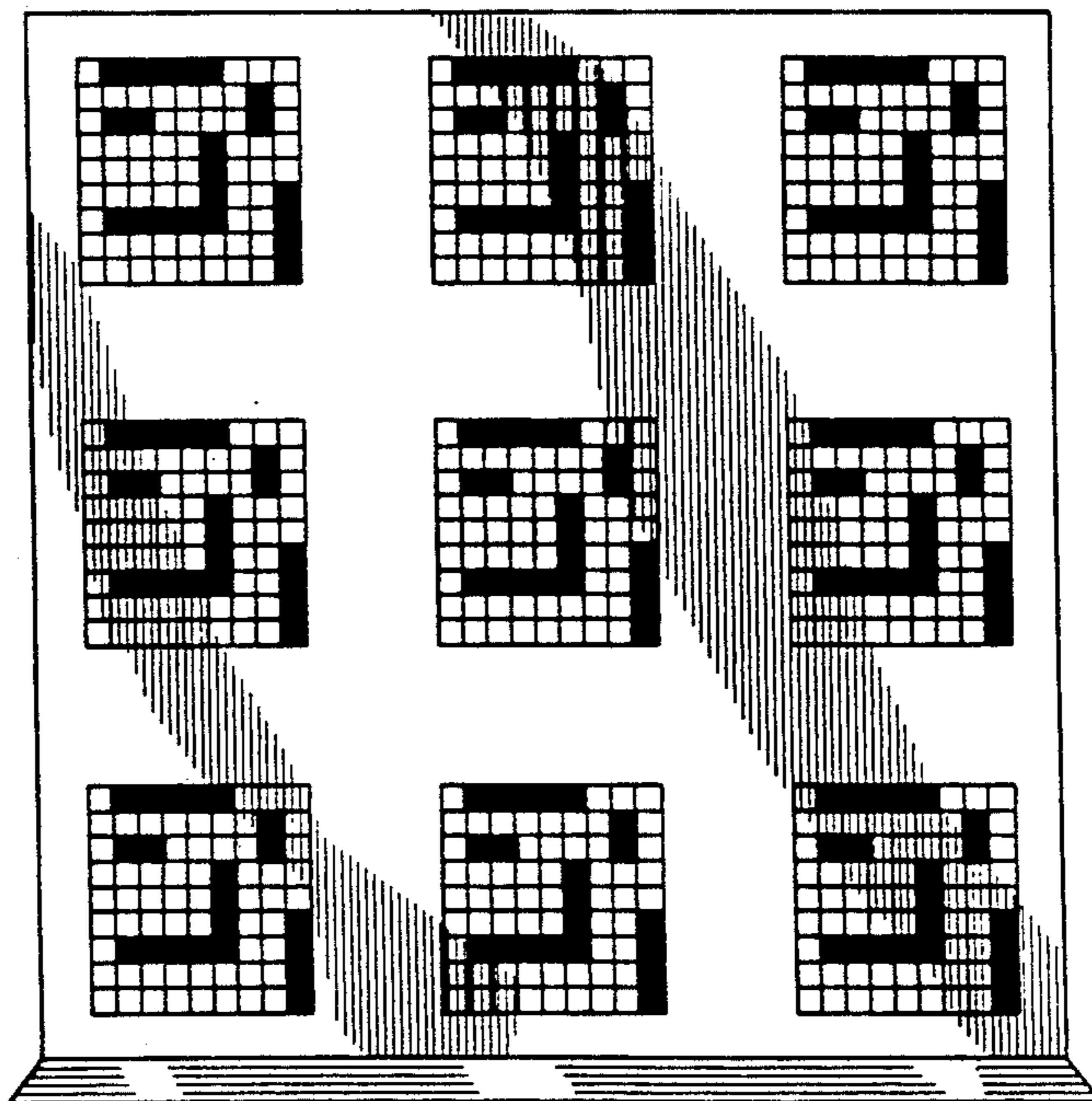


FIG. 3

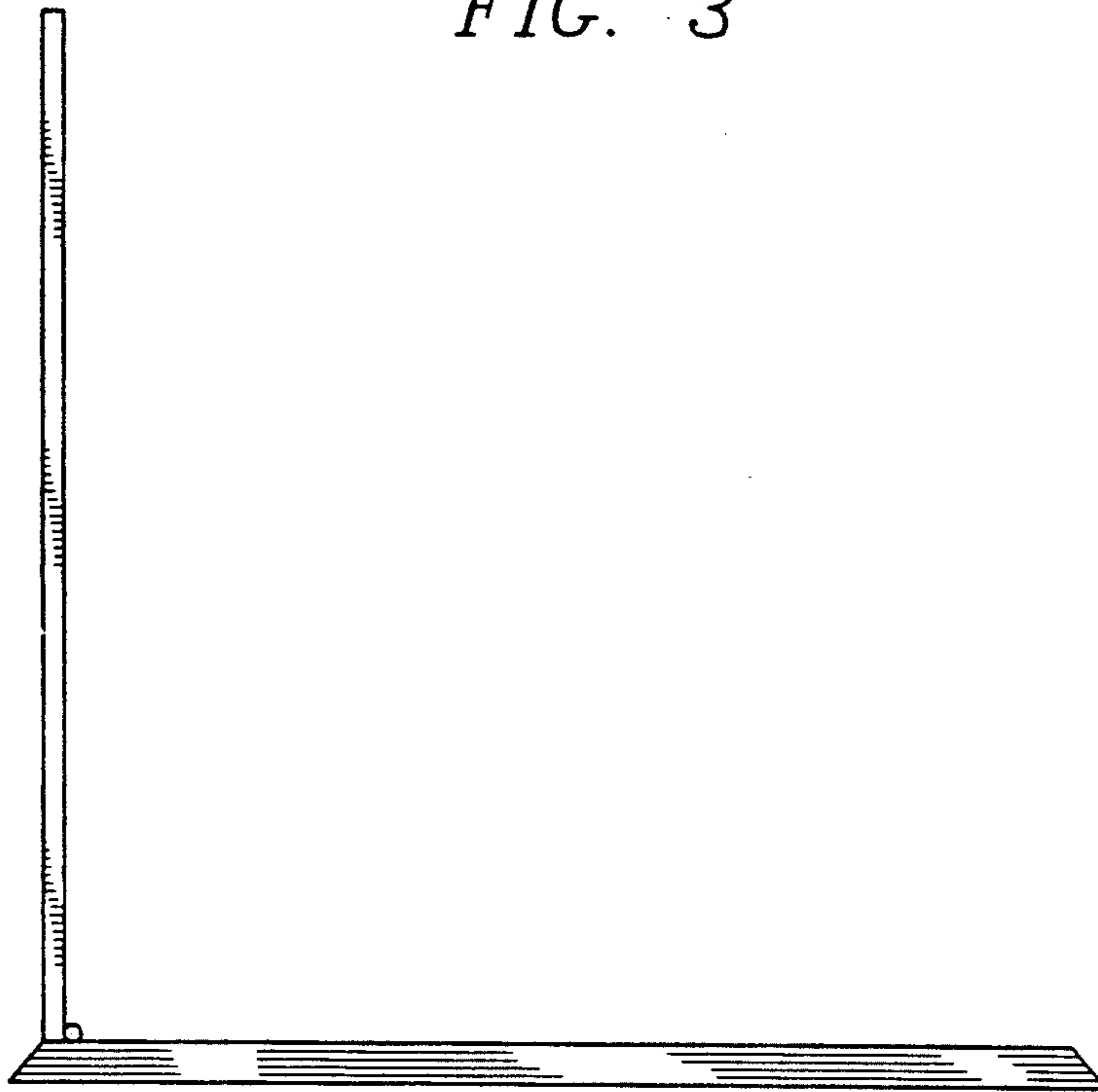


FIG. 4

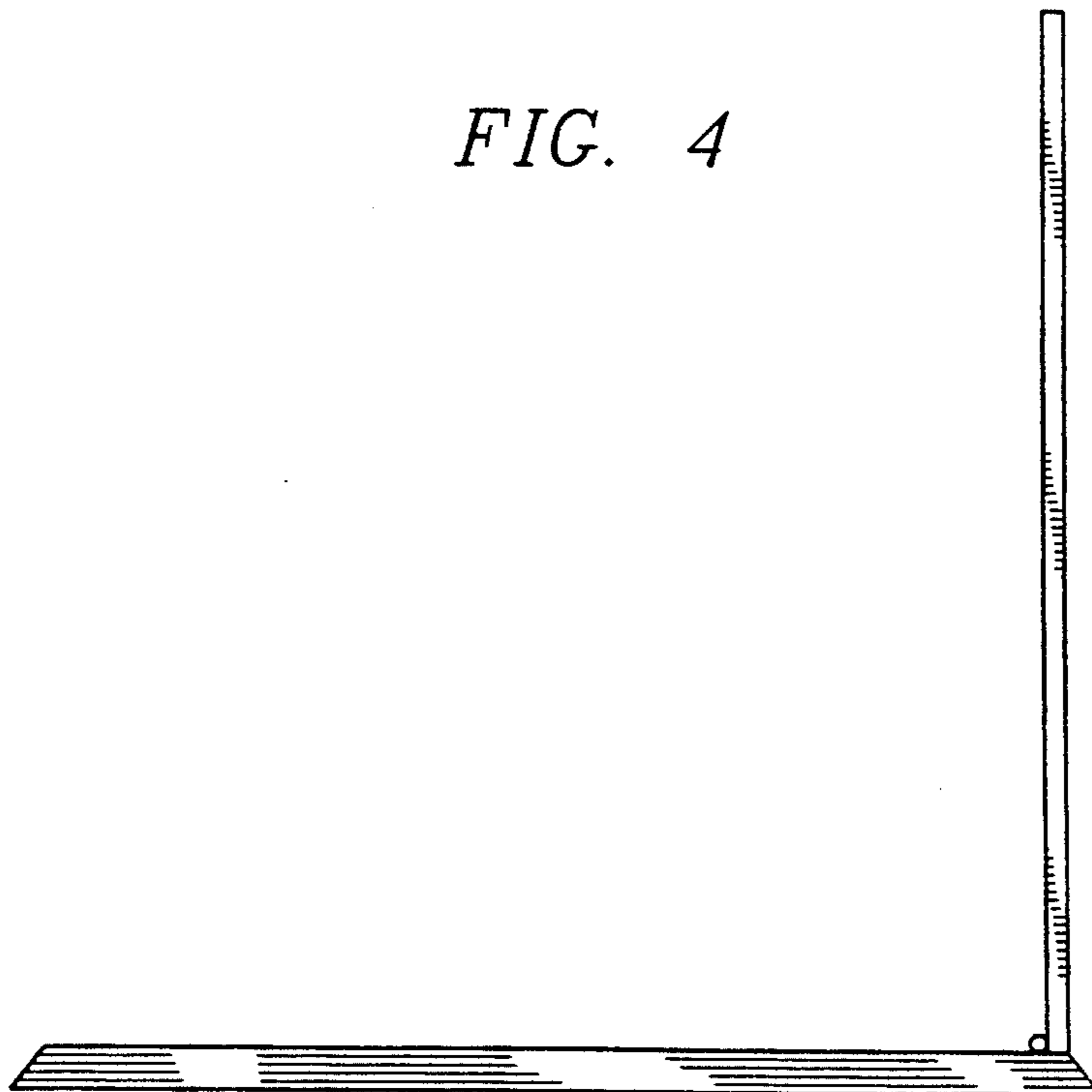


FIG. 5

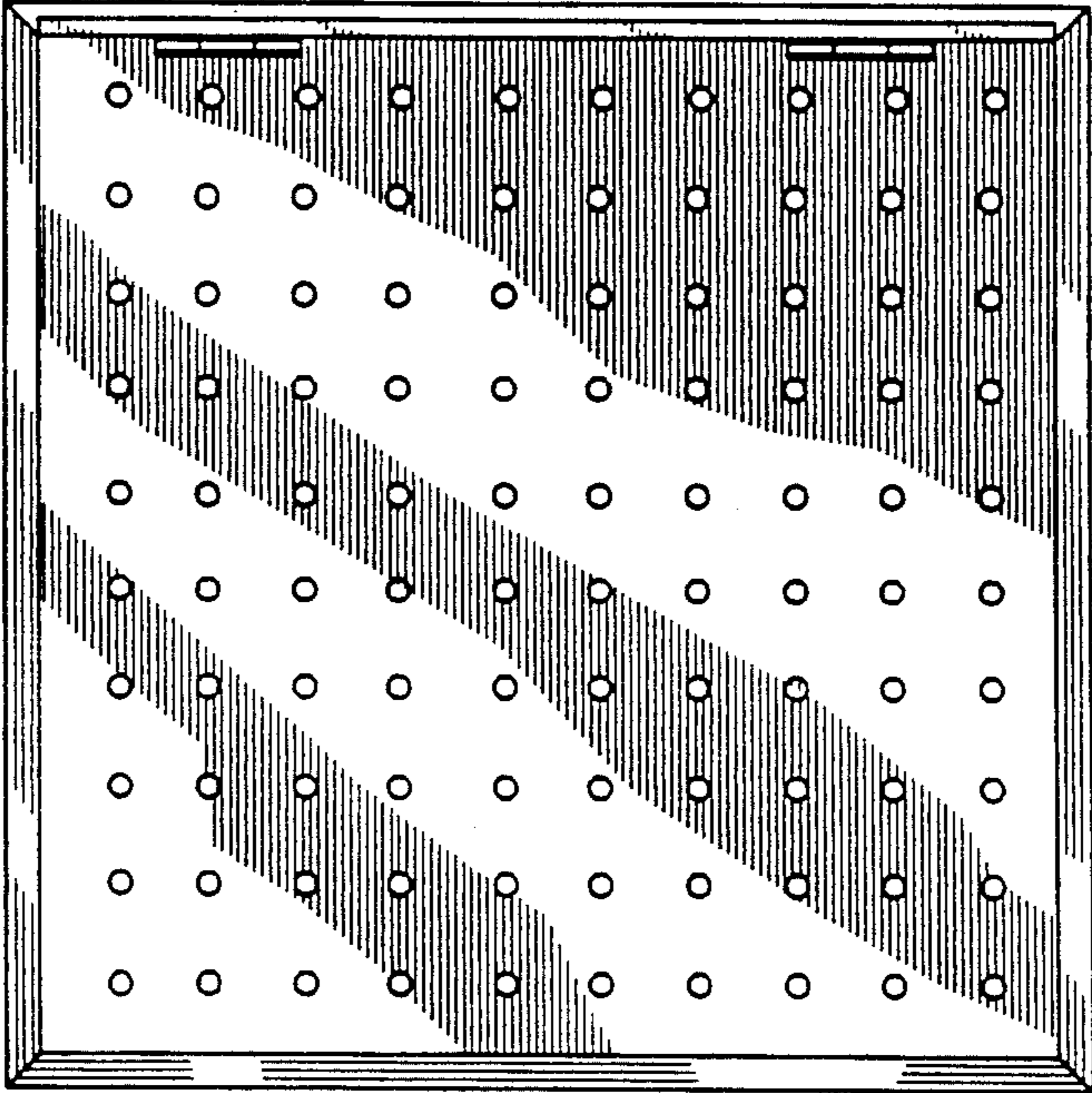


FIG. 6

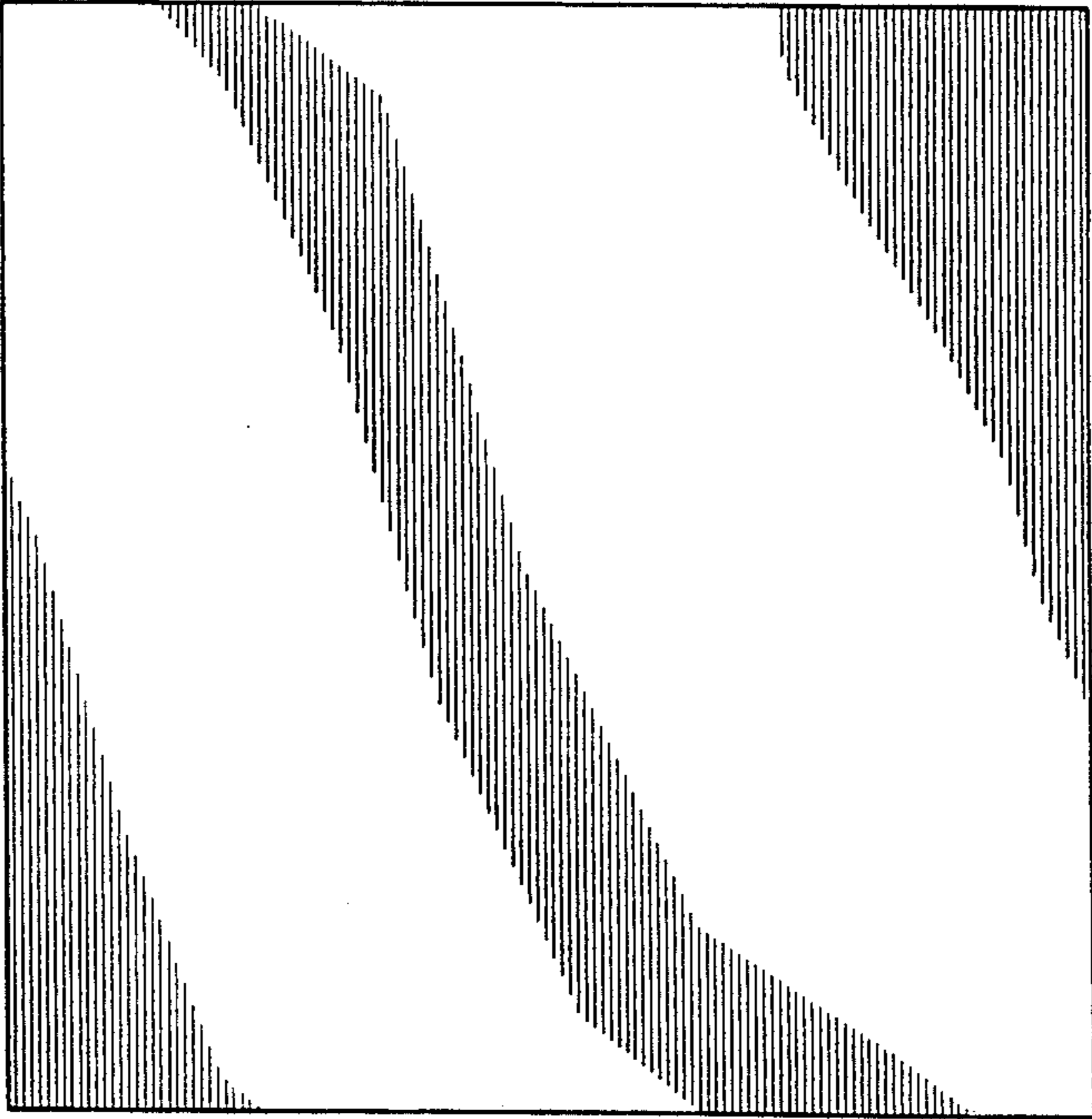


FIG. 7

