



US00D340261S

United States Patent [19]

[11] Patent Number: **Des. 340,261**

Franklin

[45] Date of Patent: **** Oct. 12, 1993**

[54] **IDENTIFICATION TAG**

[75] Inventor: **Dana Franklin, Denver, Colo.**

[73] Assignee: **Samsonite Corporation, Denver, Colo.**

[**] Term: **14 Years**

[21] Appl. No.: **854,512**

[22] Filed: **Mar. 19, 1992**

[52] U.S. Cl. **D20/22**

[58] Field of Search **D20/22, 23, 27, 28, D20/43, 44; 40/1, 1.5, 1.6, 5, 6, 27, 633, 640, 658**

[56] **References Cited**

U.S. PATENT DOCUMENTS

D. 140,669	3/1945	Moore	D20/22
D. 221,118	7/1971	Chambers	D20/22
D. 232,441	8/1974	Camposeo	D20/27
D. 236,826	9/1975	Smith	D20/22
D. 251,121	2/1979	Smith	D20/27
D. 261,905	11/1981	Smith	D20/27

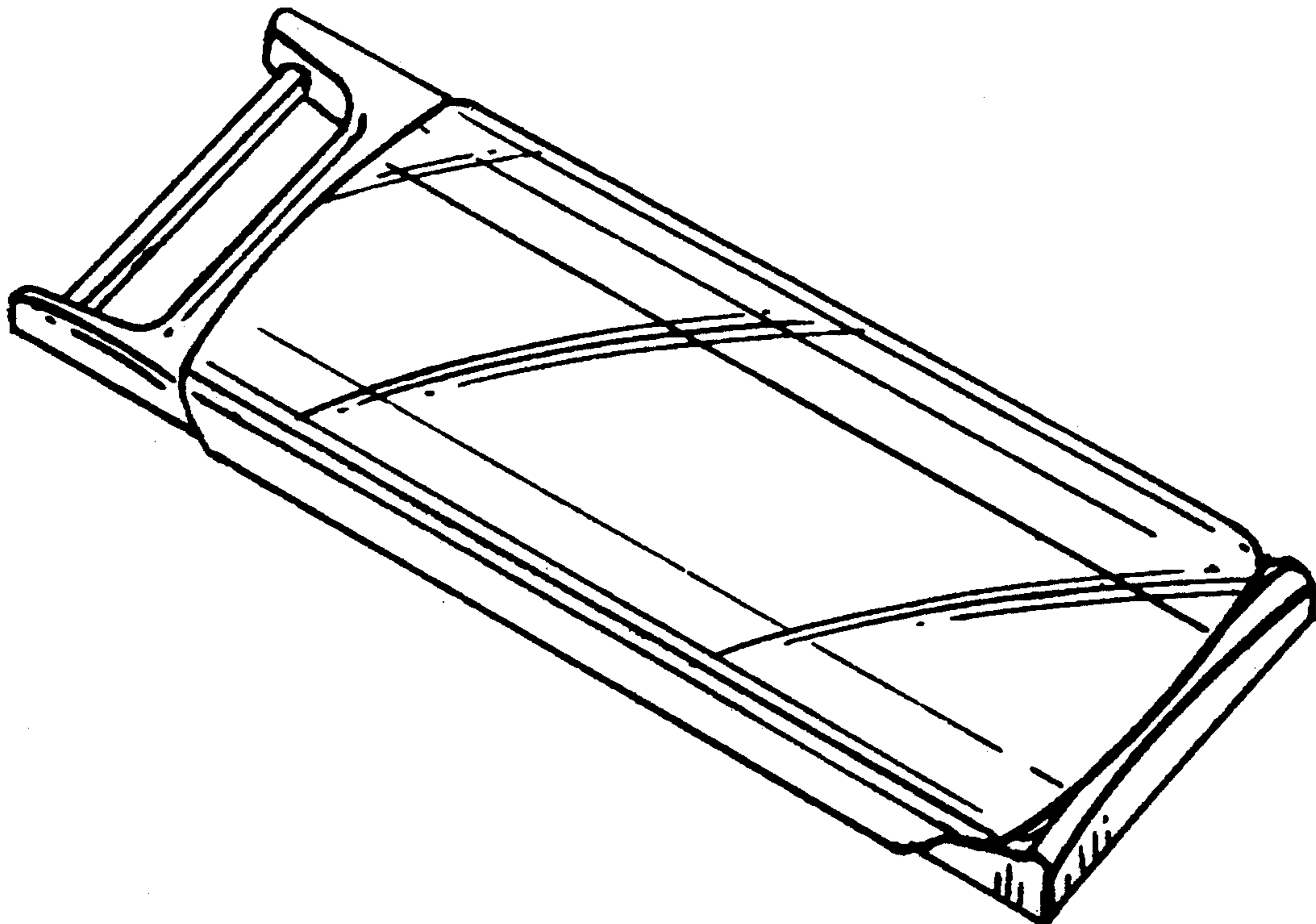
Primary Examiner—Wallace R. Burke
Assistant Examiner—Marcus Jackson
Attorney, Agent, or Firm—Gregory W. O'Connor

[57] **CLAIM**

The ornamental design for an identification tag, as shown and described.

DESCRIPTION

FIG. 1 is a perspective view of an identification tag showing my new design;
FIG. 2 is a top plan view thereof;
FIG. 3 is a side elevational view thereof, showing the side opposite that shown in FIG. 1;
FIG. 4 is a side elevational view thereof, showing the side shown in FIG. 1;
FIG. 5 is a bottom plan view thereof;
FIG. 6 is a front elevational view thereof, the rear elevational view being a mirror image;
FIG. 7 is a perspective view of a second embodiment of my new design;
FIG. 8 is a top plan view of said second embodiment;
FIG. 9 is a side elevational view thereof, showing the side opposite that shown in FIG. 7;
FIG. 10 is a side elevational view thereof, showing the side shown in FIG. 7;
FIG. 11 is a bottom plan view thereof; and,
FIG. 12 is a front elevational view thereof, the rear elevational view being a mirror image.



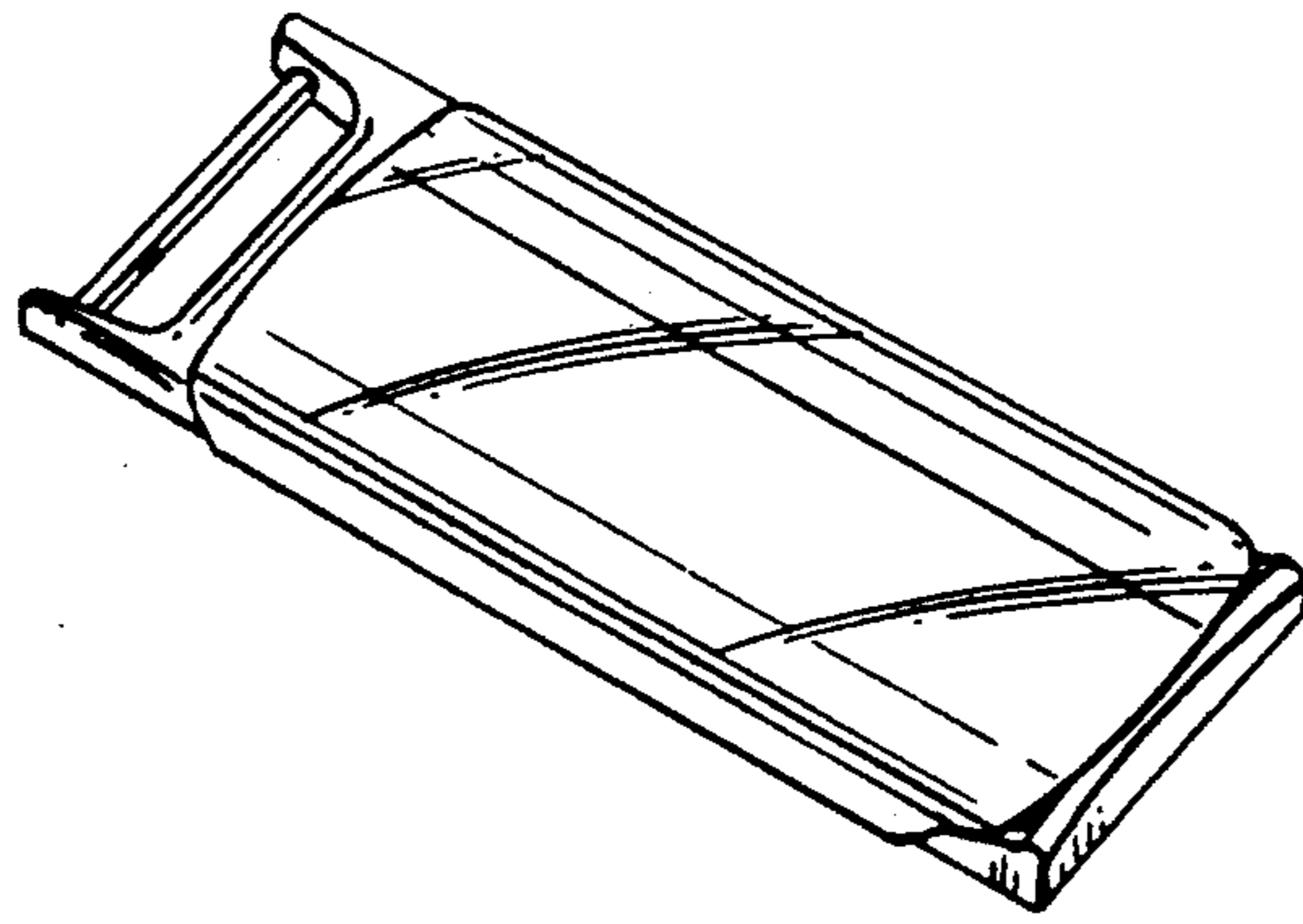


FIG. 1



FIG. 3

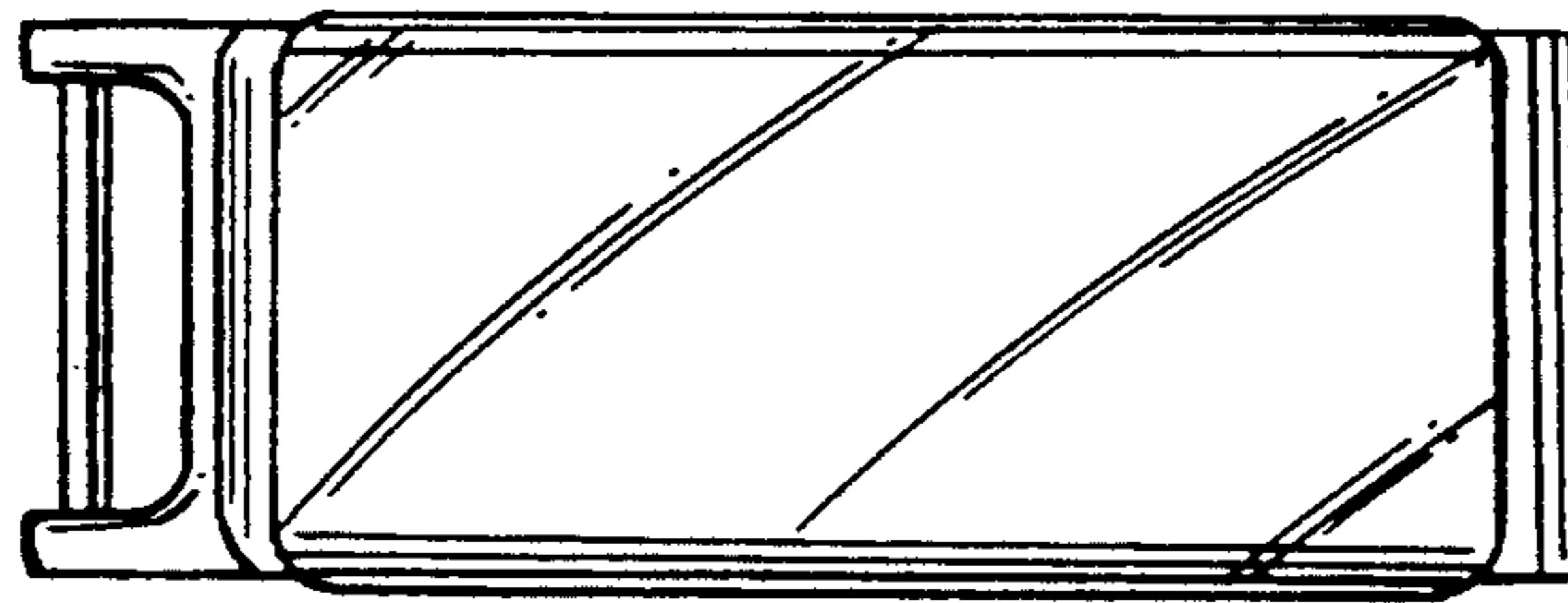


FIG. 2

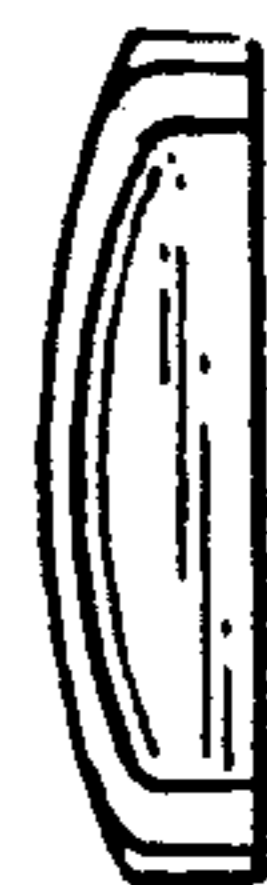


FIG. 4

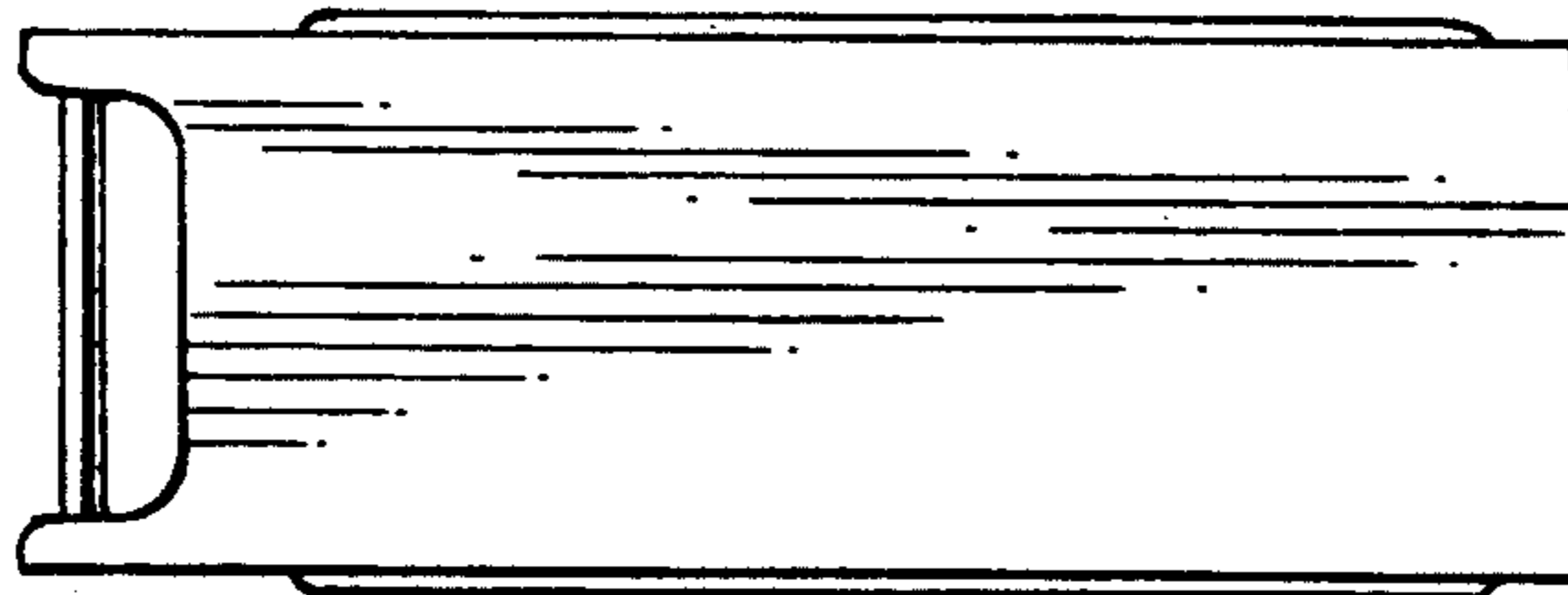


FIG. 5

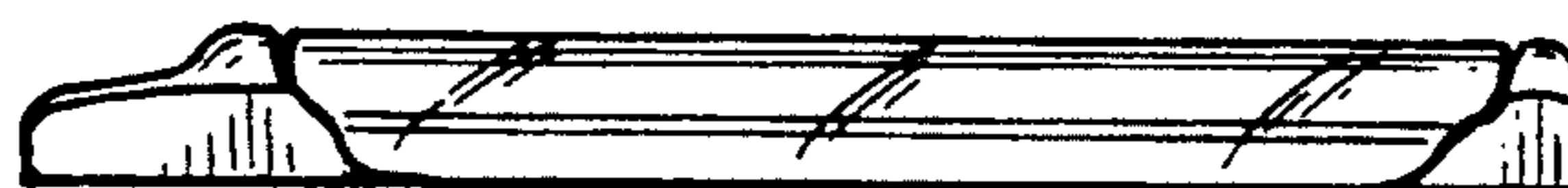


FIG. 6

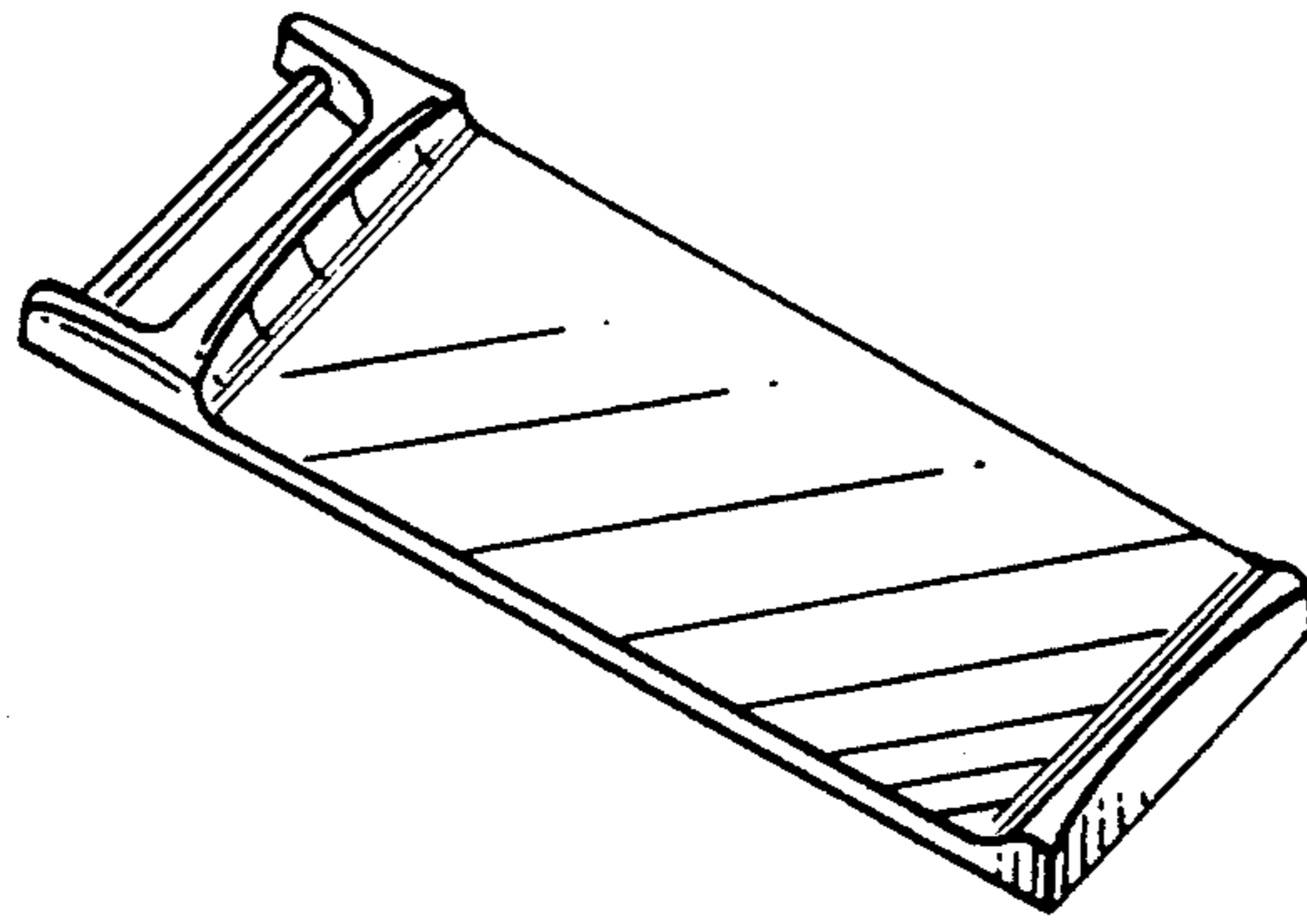


FIG. 7



FIG. 9

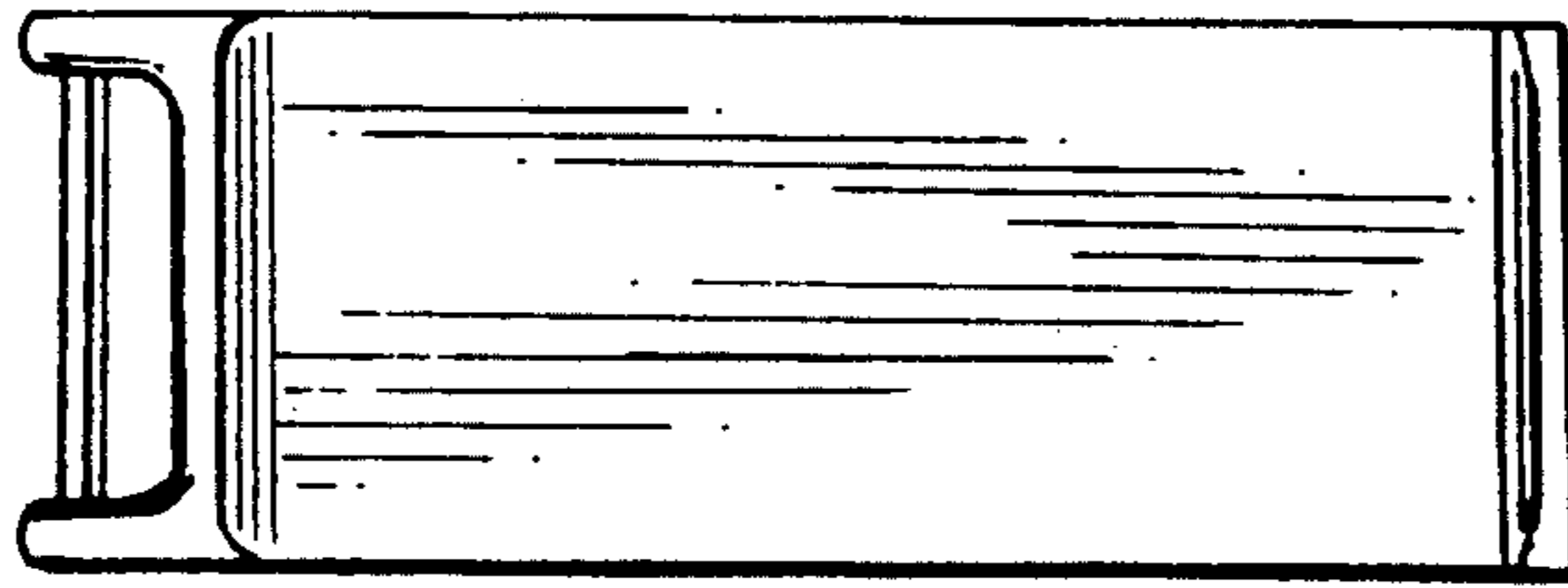


FIG. 8



FIG. 10

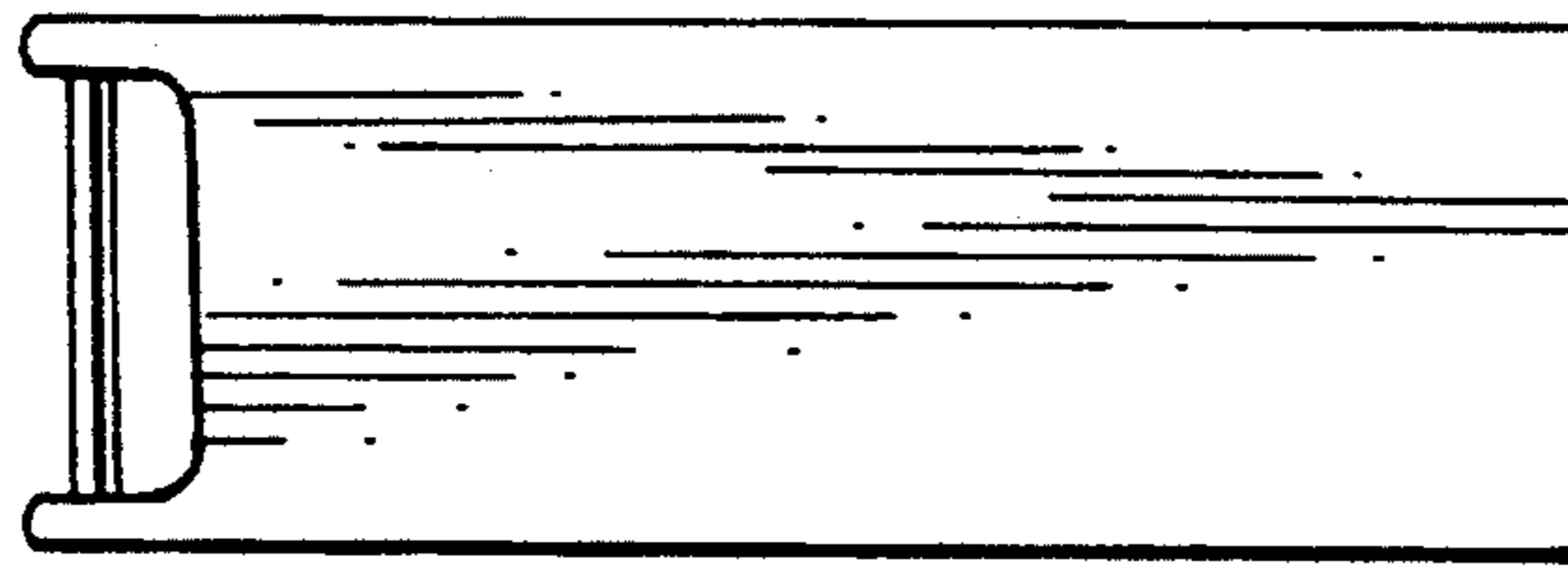


FIG. 11



FIG. 12