



US00D340256S

United States Patent [19] Ng

[11] Patent Number: **Des. 340,256**
[45] Date of Patent: **** Oct. 12, 1993**

[54] **PAD PRINTER**
[75] Inventor: **Hin-Chung Ng, New Territories, Hong Kong**
[73] Assignee: **Tai Chung Metal Factory, Tuen Mun, Hong Kong**
[**] Term: **14 Years**
[21] Appl. No.: **727,143**
[22] Filed: **Jul. 9, 1991**
[30] Foreign Application Priority Data
Jan. 9, 1991 [GB] United Kingdom 2012213
[52] U.S. Cl. **D18/14; 101/163**
[58] Field of Search 101/35, 41, 163;
D18/50, 14-15, 19-21, 54-55

4,622,897 11/1986 Laverick et al. D18/50
4,779,531 10/1988 Veno et al. 101/163
4,905,594 3/1990 Phillip et al. 101/163

FOREIGN PATENT DOCUMENTS

5612 1/1927 Australia 101/41
3506297 8/1986 Fed. Rep. of Germany 101/163
807435 1/1937 France 101/41
279556 12/1986 Japan 101/163

Primary Examiner—A. Hugo Word
Assistant Examiner—Cathy Anne MacCormac
Attorney, Agent, or Firm—Jacobson, Price, Holman & Stern

[57] CLAIM

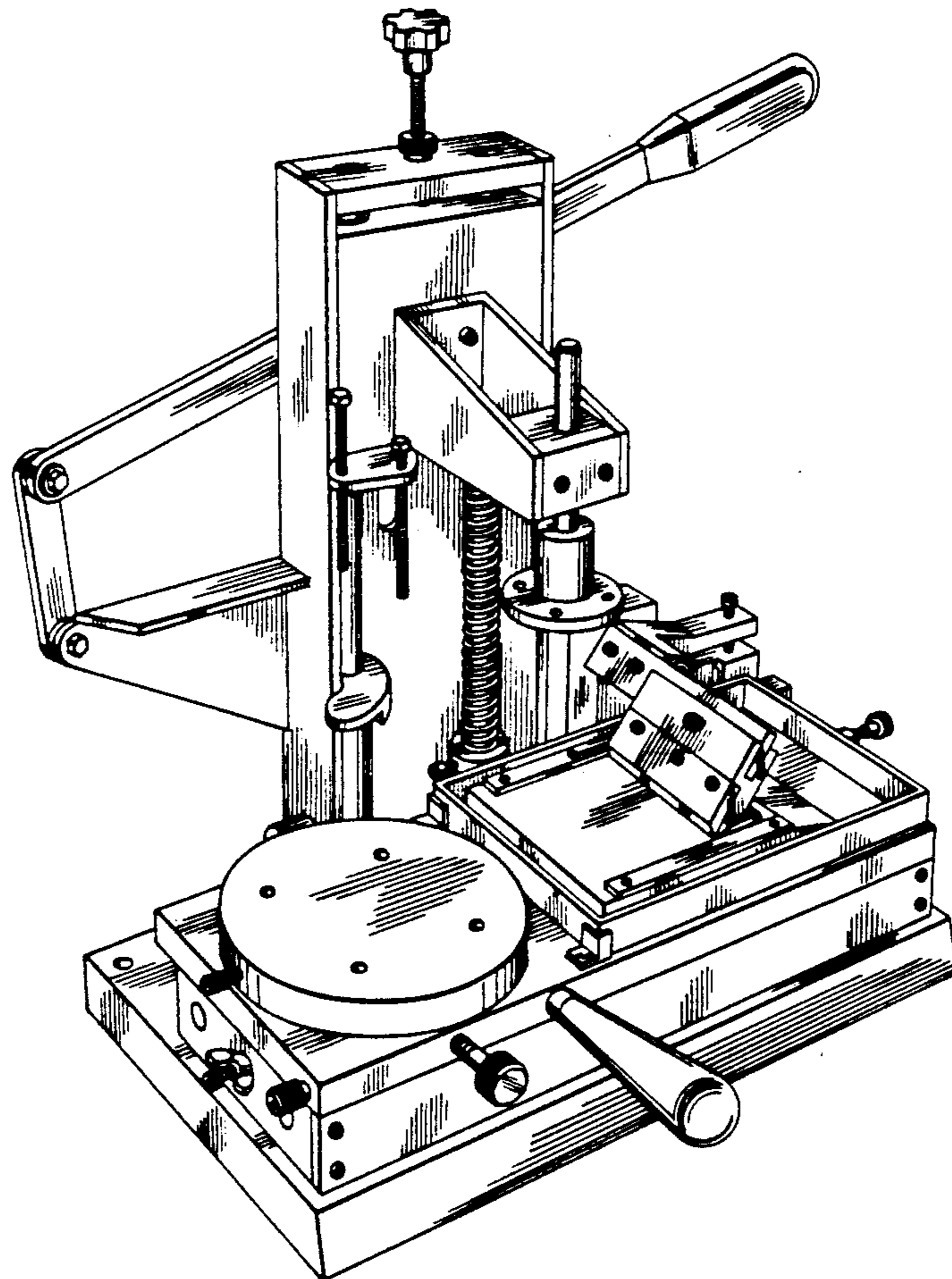
The ornamental design for a pad printer, as shown and described.

[56] References Cited U.S. PATENT DOCUMENTS

D. 314,585 2/1991 Chan D18/14
D. 326,472 5/1992 Chung D18/14
1,657,237 1/1928 Talbot 101/163
3,052,181 9/1962 Typrowicz 101/41
3,094,921 6/1963 James D18/50
4,163,421 8/1979 Sihota 101/40
4,403,547 9/1983 Forberger 101/163

DESCRIPTION

FIG. 1 is a front perspective view of a pad printer, showing my new design;
FIG. 2 is a front elevational view thereof;
FIG. 3 is a rear elevational view thereof;
FIG. 4 is a side elevational view thereof;
FIG. 5 is a right side elevational view thereof;
FIG. 6 is a top plan view thereof; and,
FIG. 7 is a bottom plan view thereof.



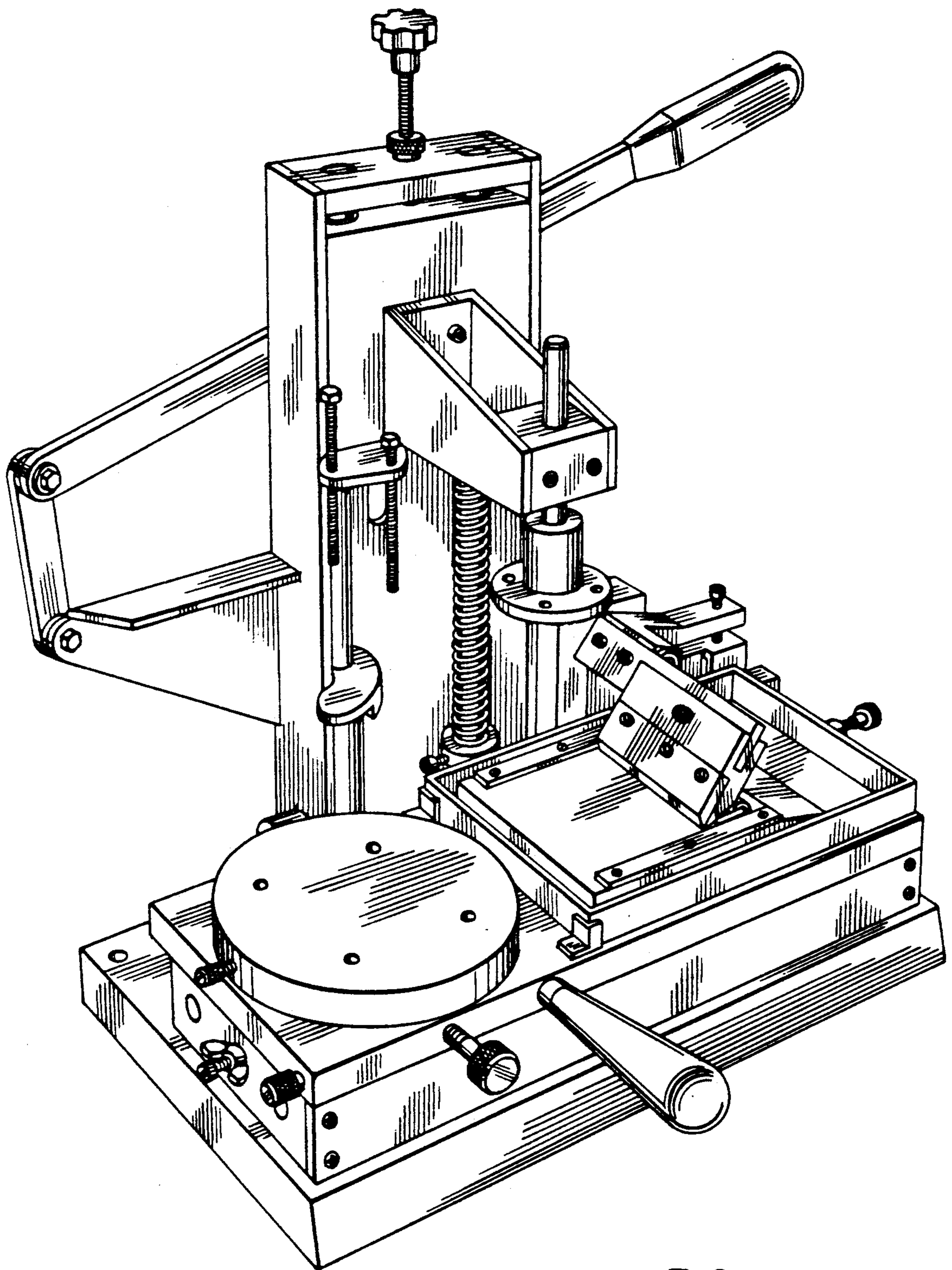


FIG. 1

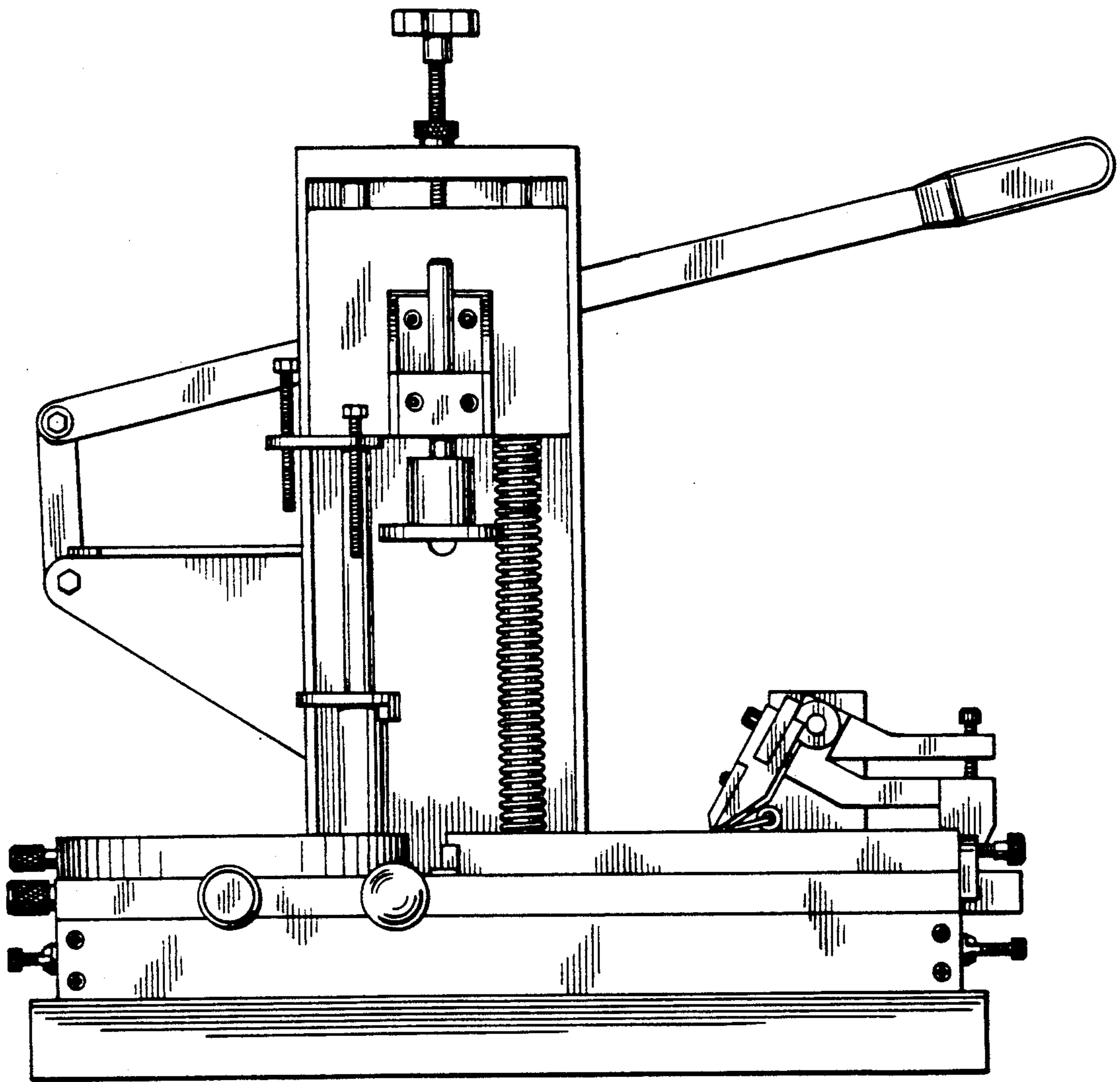


FIG. 2

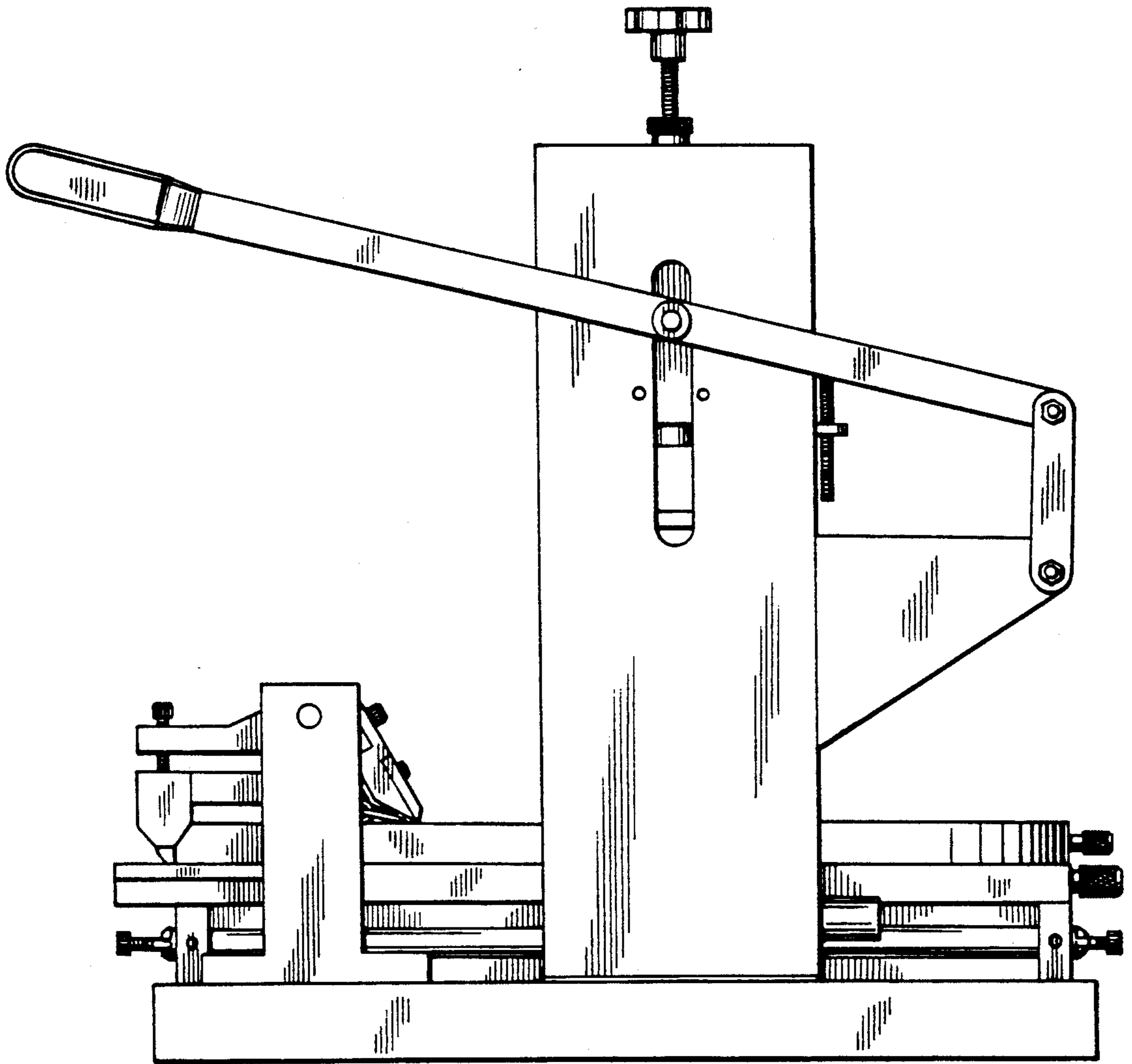


FIG. 3

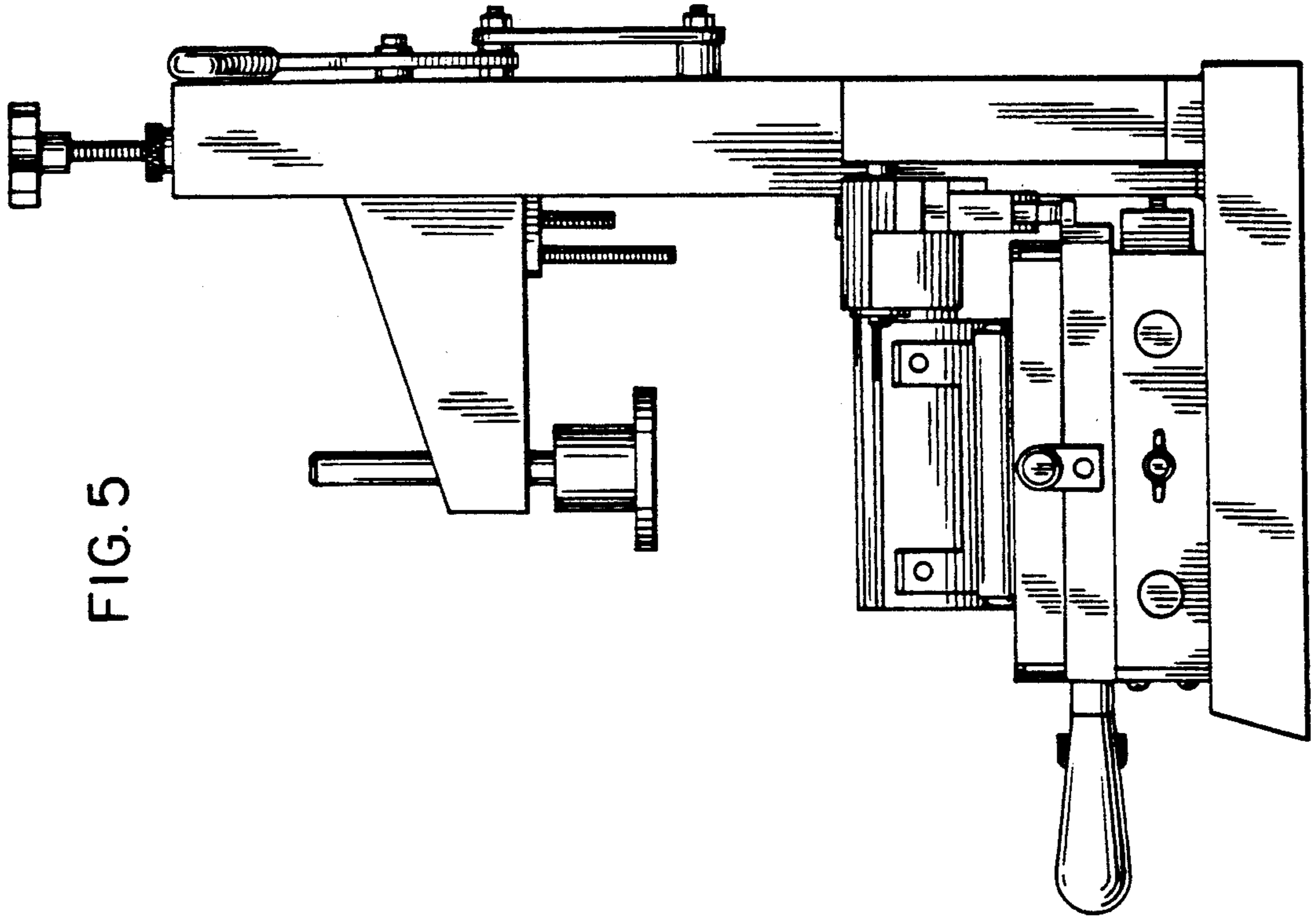


FIG. 5

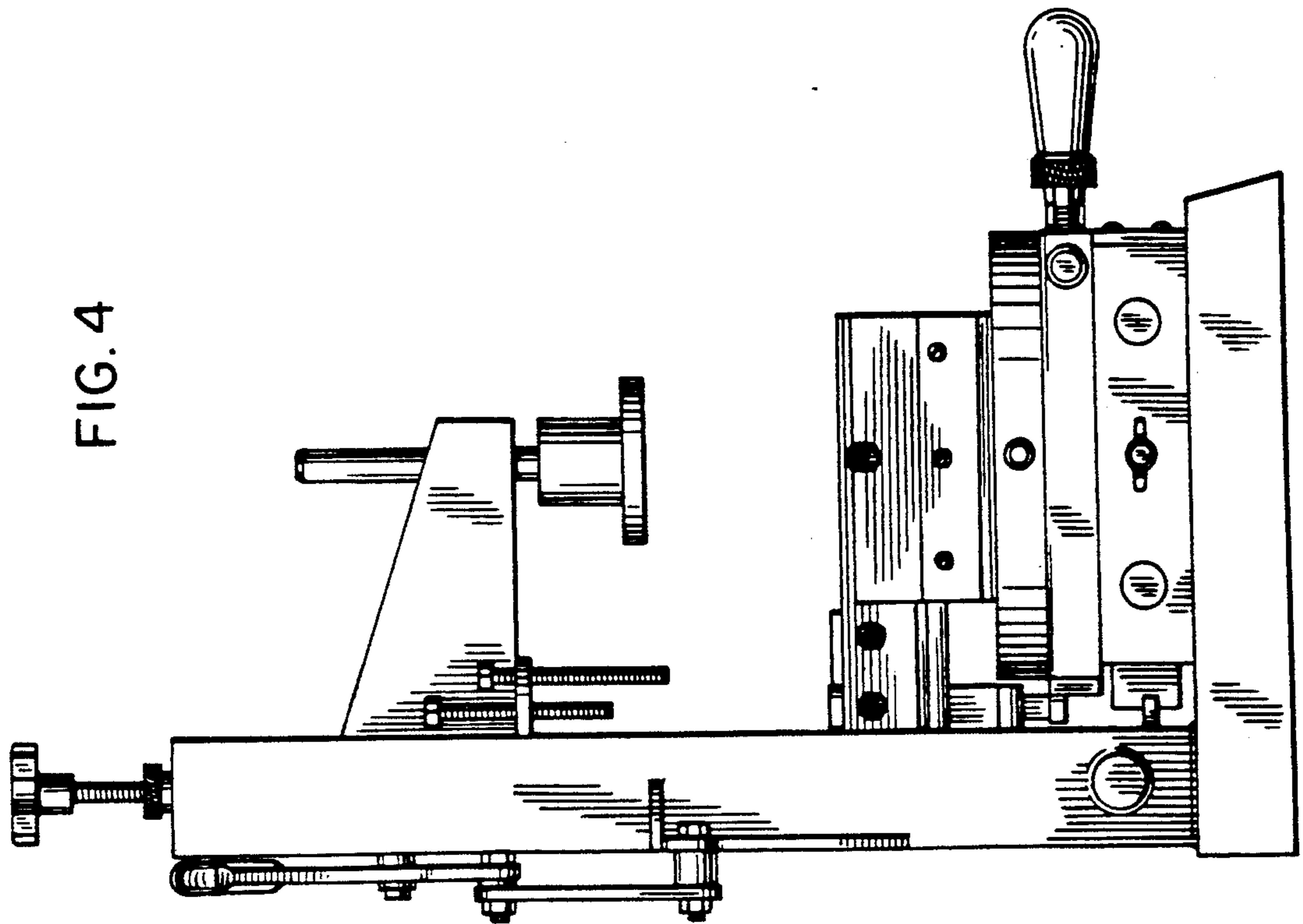


FIG. 4

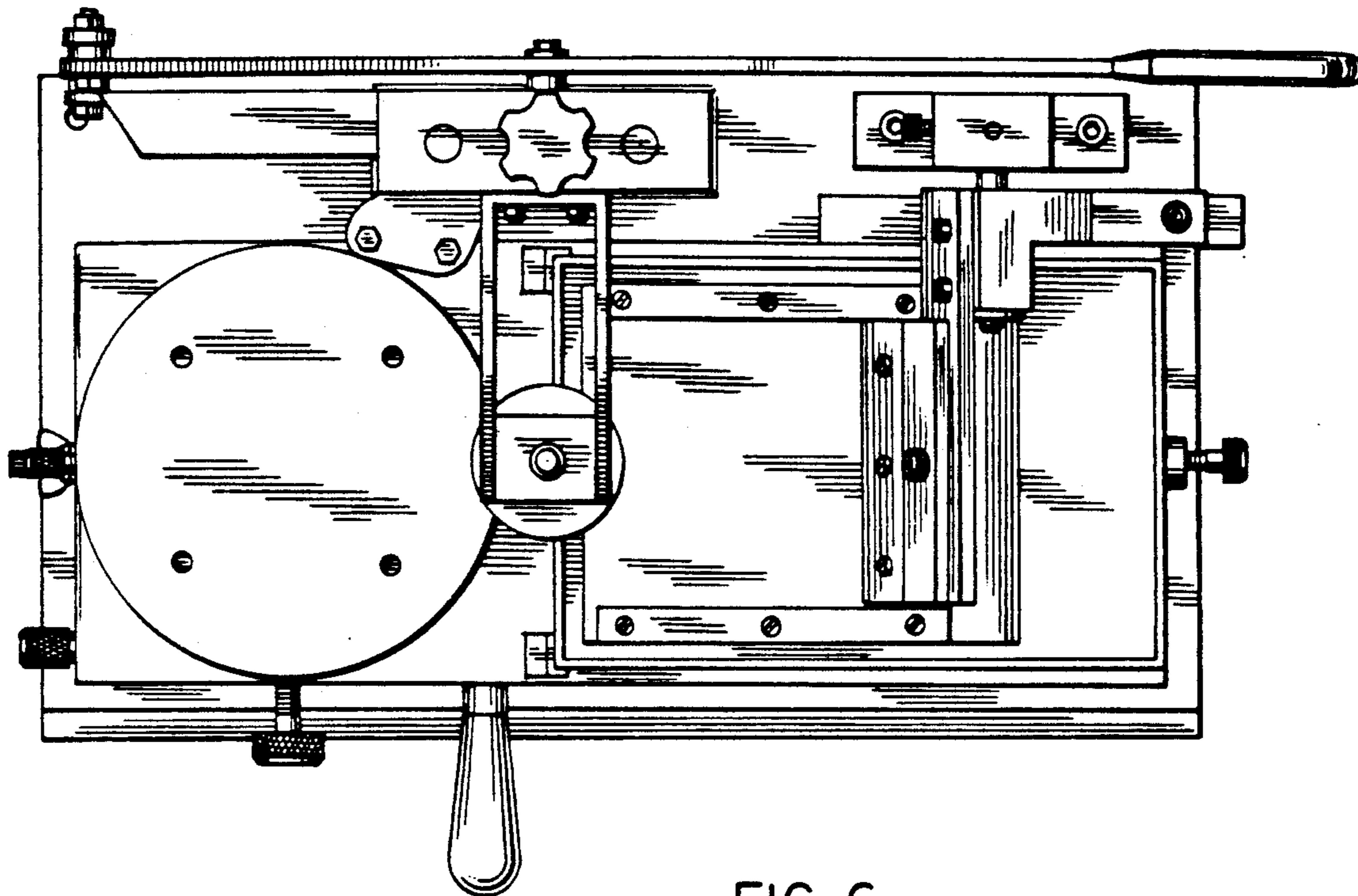


FIG. 6

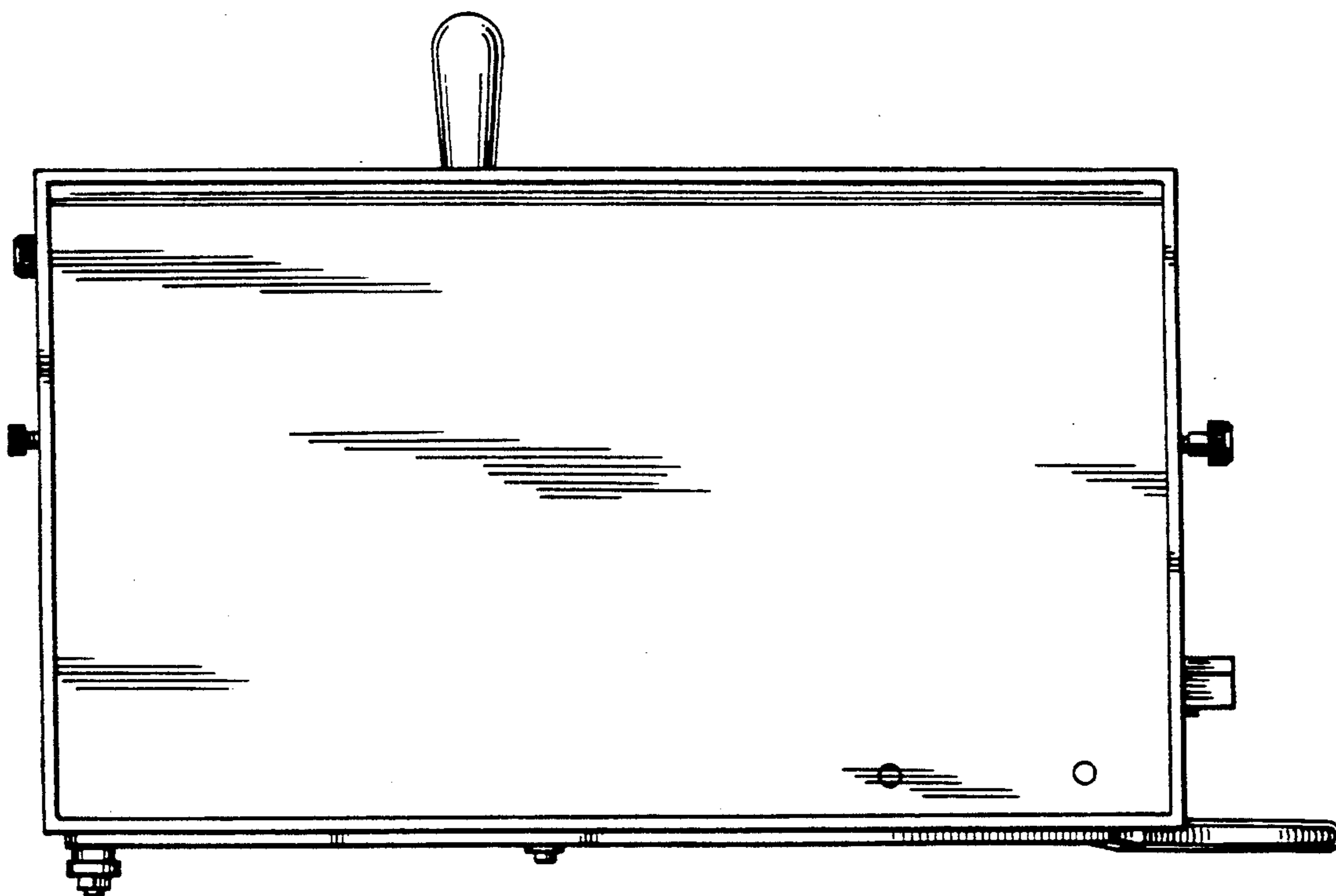


FIG. 7