



US00D340254S

United States Patent [19]

Yamashita

[11] Patent Number: **Des. 340,254**

[45] Date of Patent: **** Oct. 12, 1993**

[54] **SNARE DRUM**

4,018,130 4/1977 Gariepy 84/415
4,339,982 7/1982 Hoshino 84/415

[75] Inventor: **Toshinori Yamashita**, Hamamatsu, Japan

[73] Assignee: **Yamaha Corporation**, Shuzuoka, Japan

[**] Term: **14 Years**

[21] Appl. No.: **797,081**

[22] Filed: **Nov. 20, 1991**

[30] **Foreign Application Priority Data**

May 22, 1991 [JP] Japan 3-14824
[52] U.S. Cl. **D17/22; 84/415**
[58] Field of Search **D17/22, 99; D21/64; 84/411 R, 415**

[56] **References Cited**

U.S. PATENT DOCUMENTS

D. 218,854 9/1970 Thompson D17/22
1,828,083 10/1931 Strupe 84/415
3,113,481 12/1963 Thompson 84/415

Primary Examiner—Melvin B. Feifer
Assistant Examiner—Adir Aronovich
Attorney, Agent, or Firm—Weingarten, Schurgin, Gagnebin & Hayes

[57] **CLAIM**

The ornamental design for a snare drum, as shown and described.

DESCRIPTION

FIG. 1 is a top perspective view of a snare drum showing my new design;
FIG. 2 is a front view thereof;
FIG. 3 is a top perspective view thereof, a knob being in an alternate position;
FIG. 4 is a top plan view thereof;
FIG. 5 is a right-side view thereof;
FIG. 6 is a left-side view thereof;
FIG. 7 is a rear view thereof;
FIG. 8 is a bottom plan view thereof; and,
FIG. 9 is a bottom perspective view thereof.

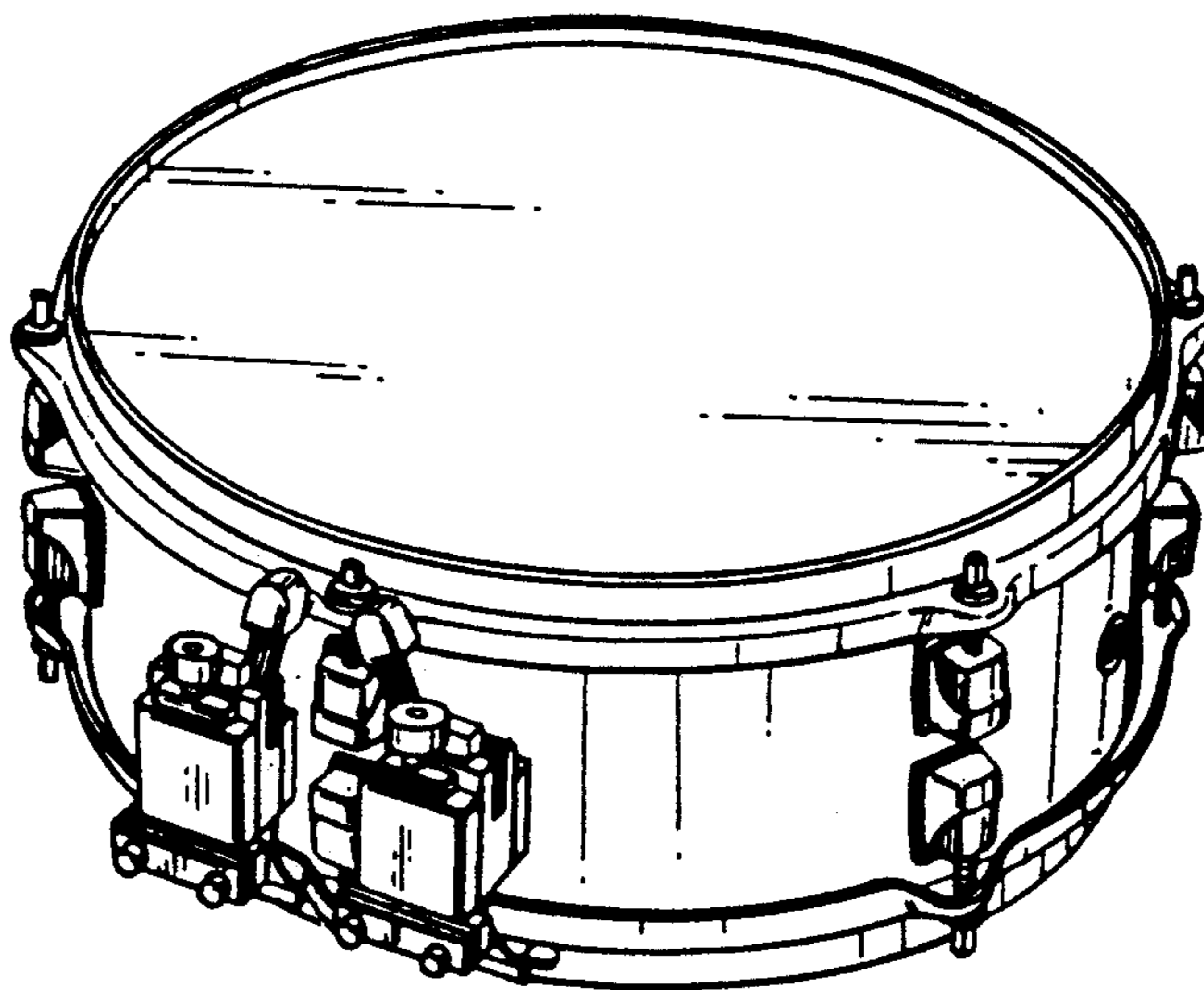


FIG. 1

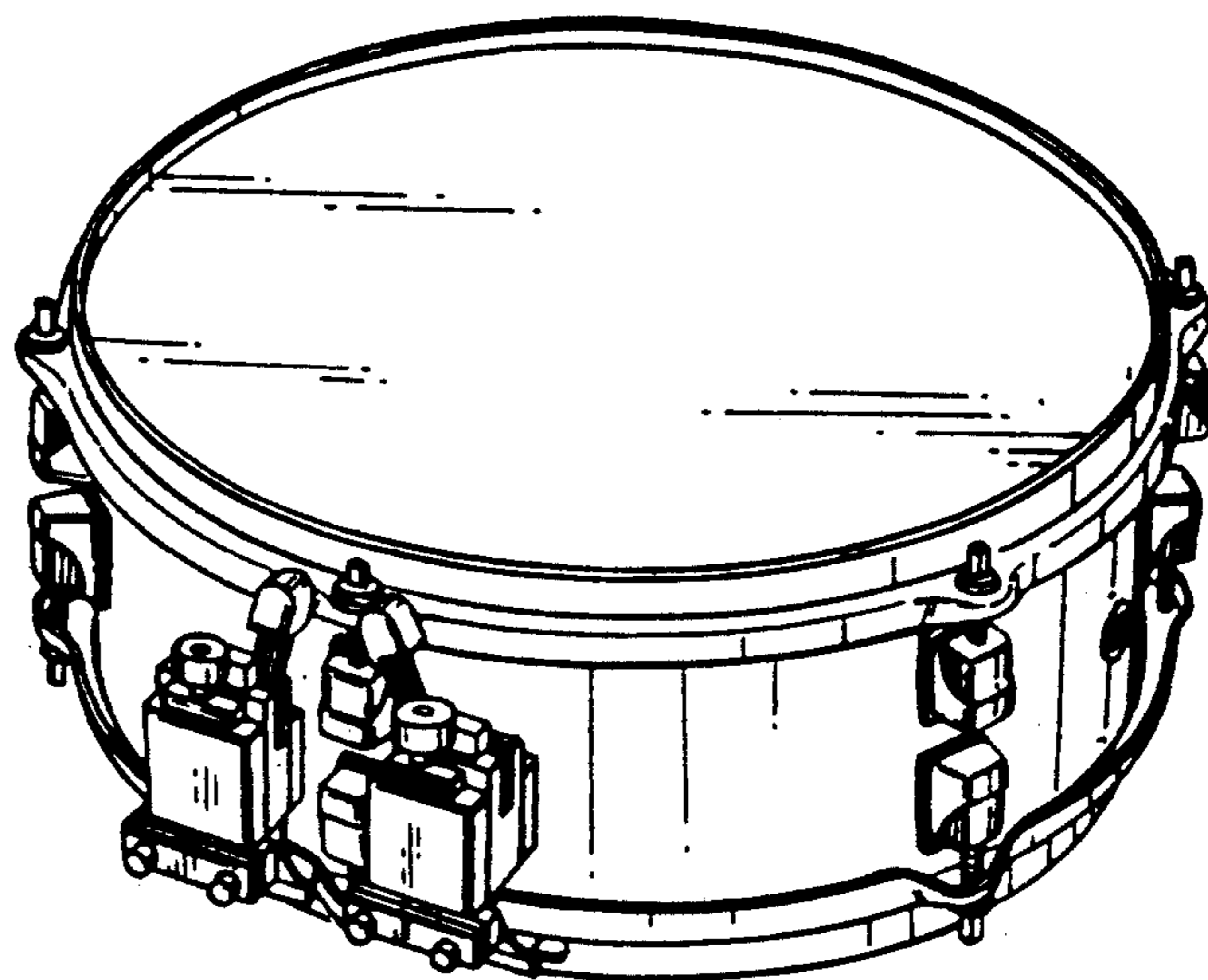


FIG. 2

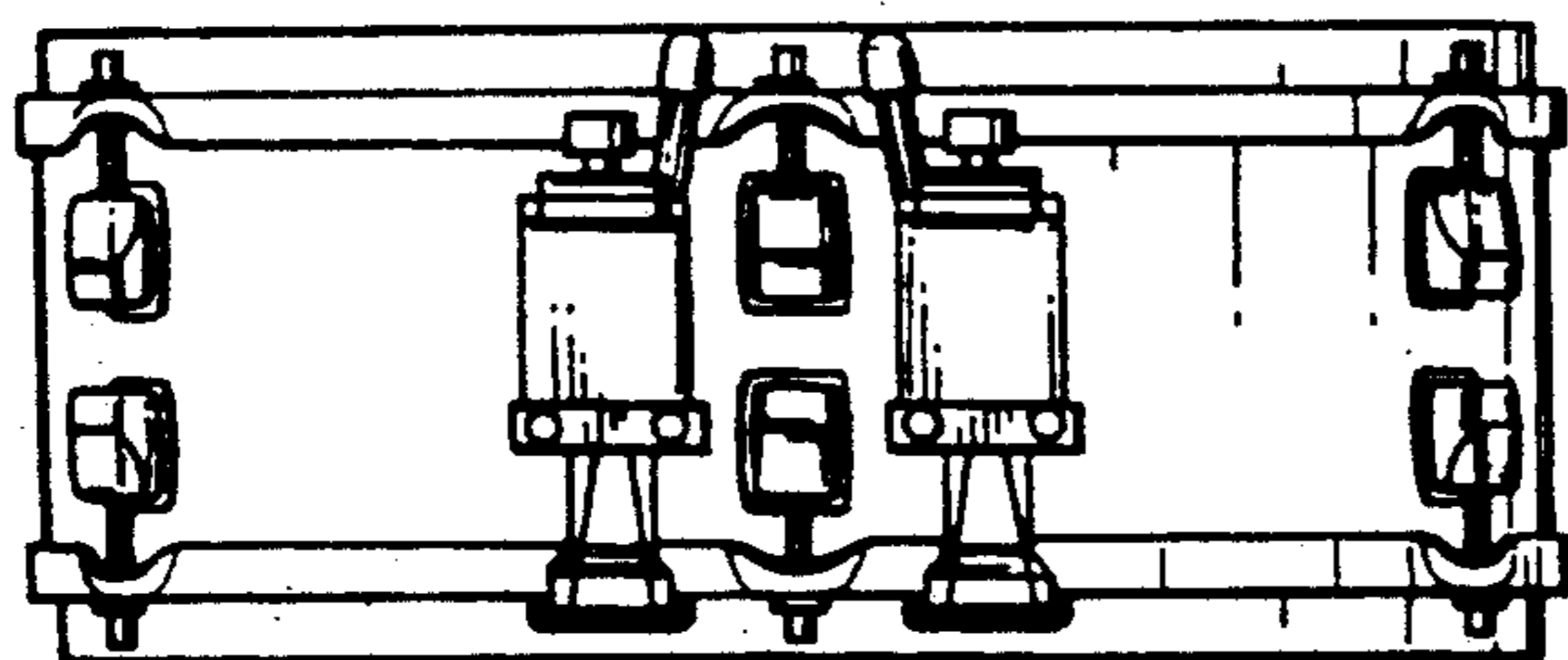
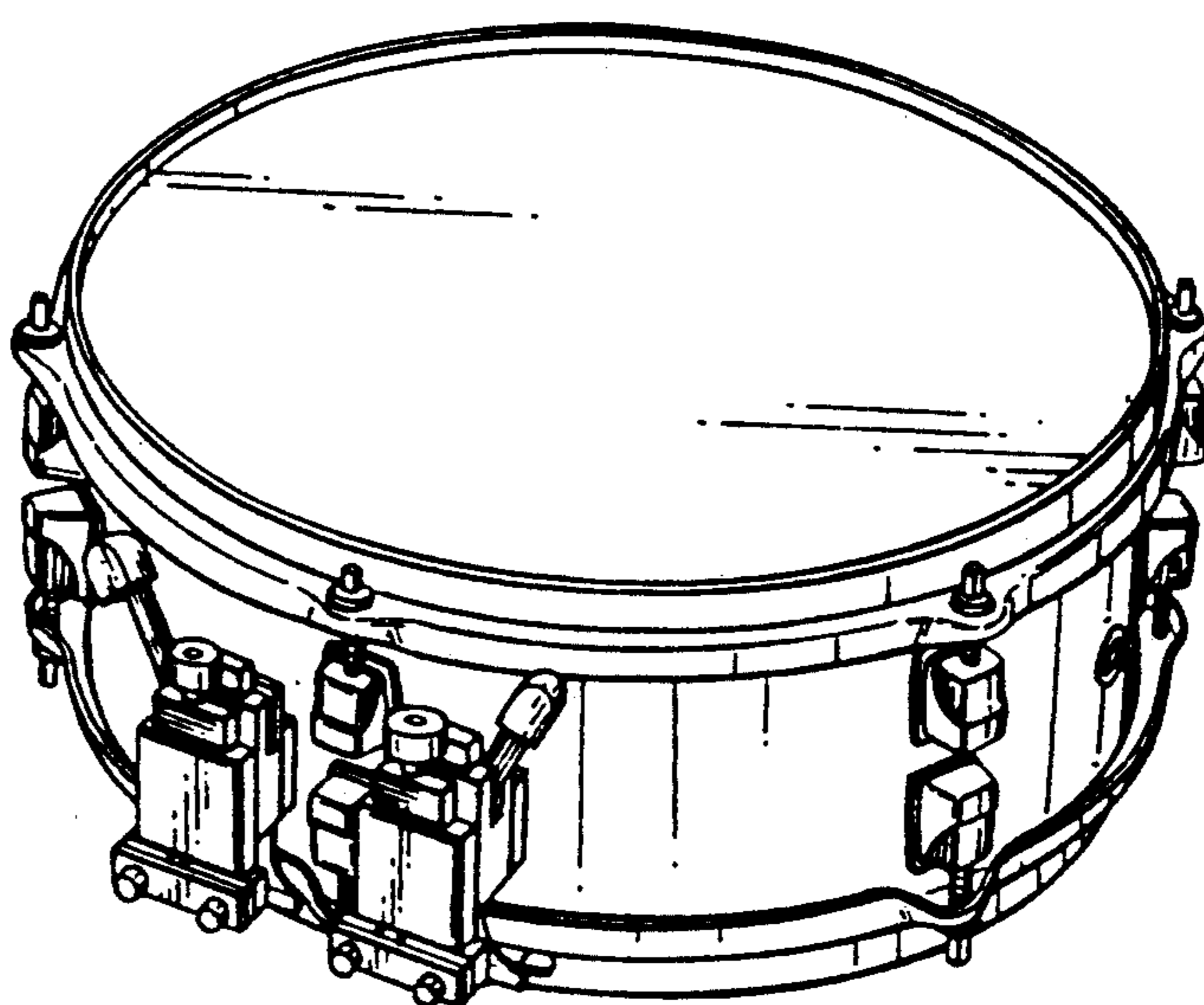


FIG. 3



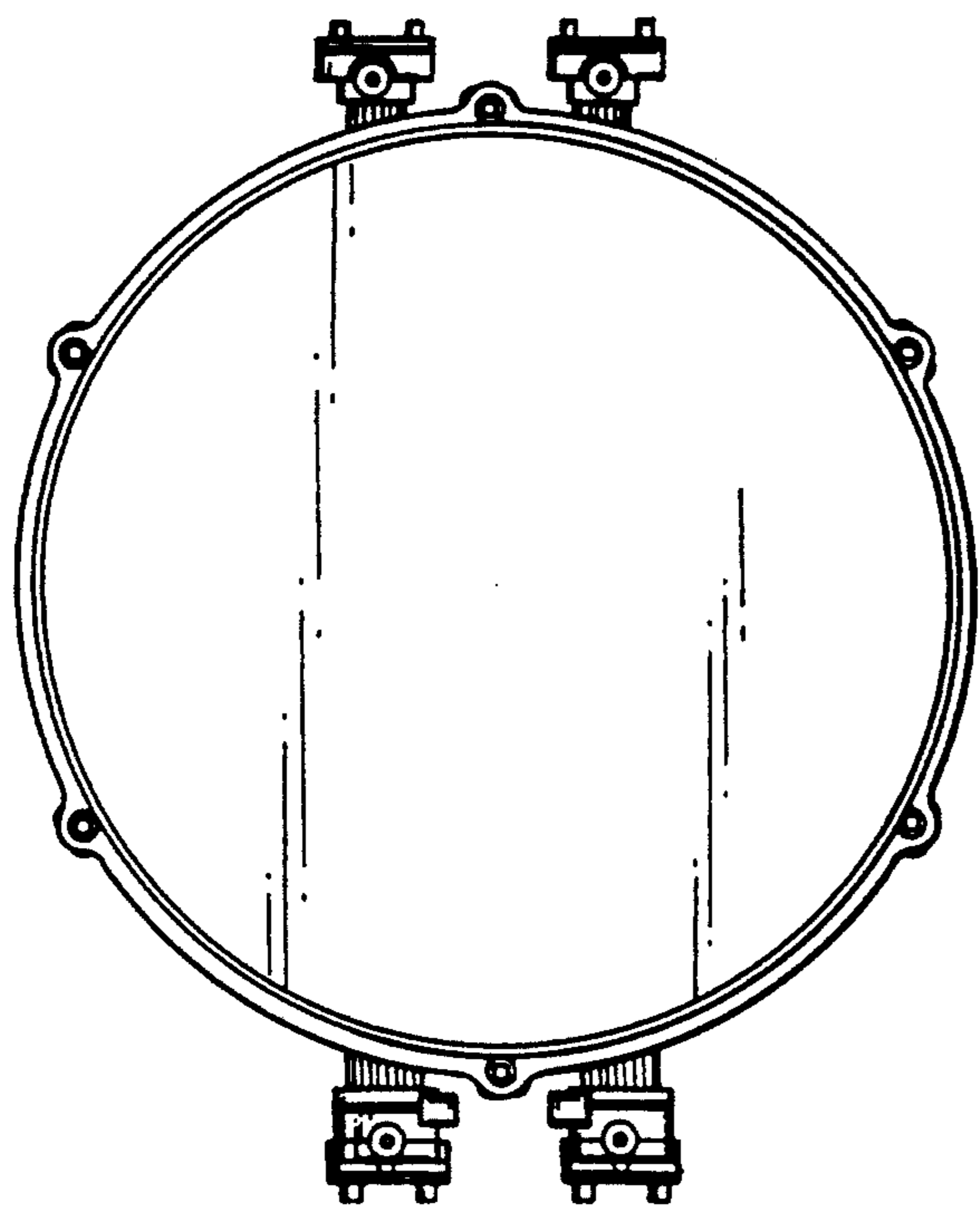


FIG. 4

FIG. 5

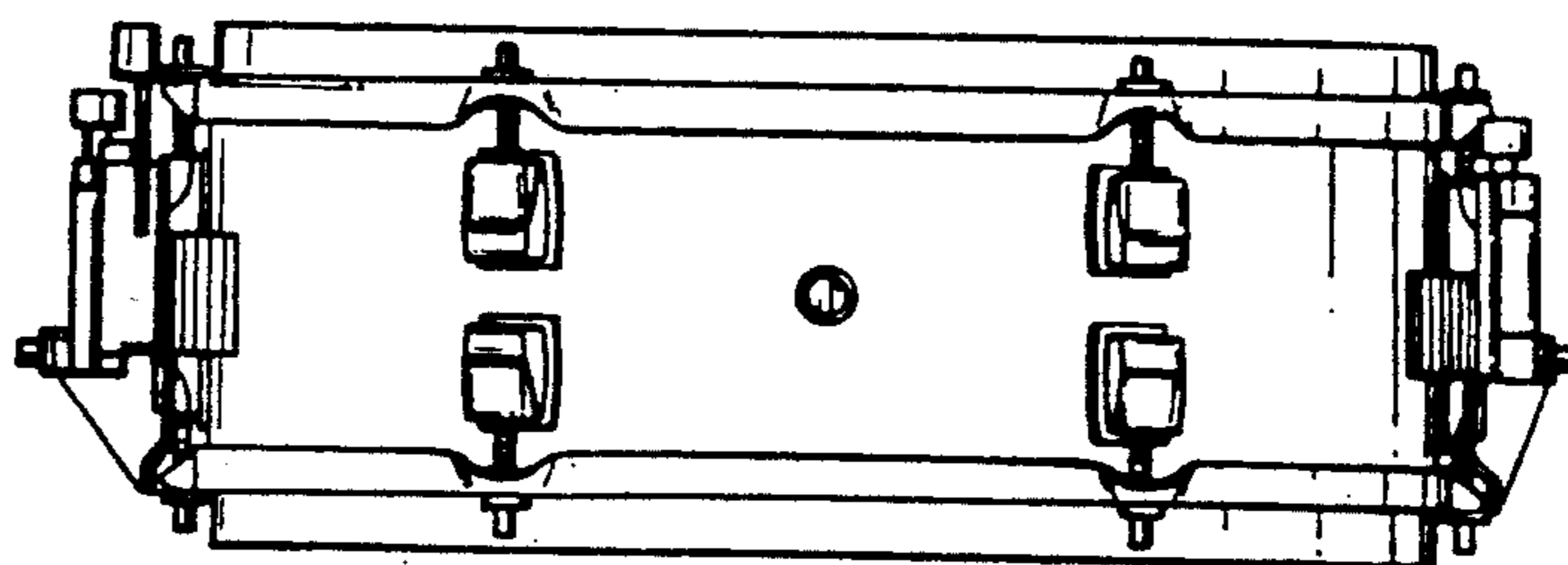
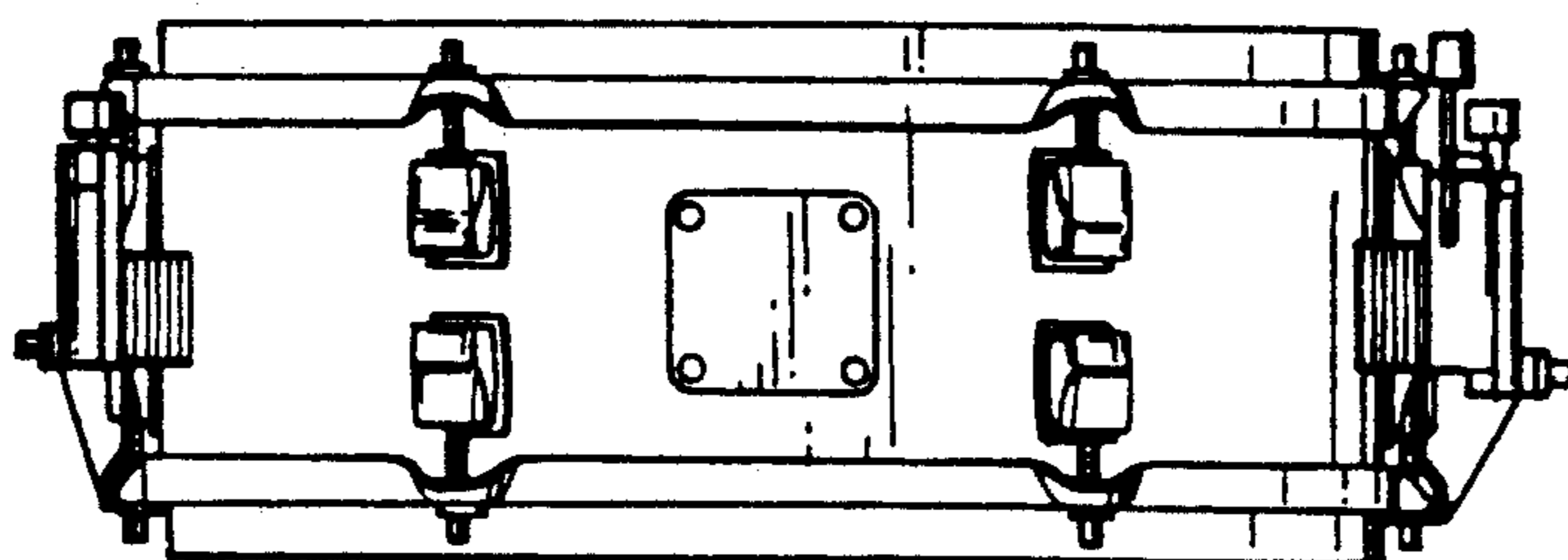


FIG. 6



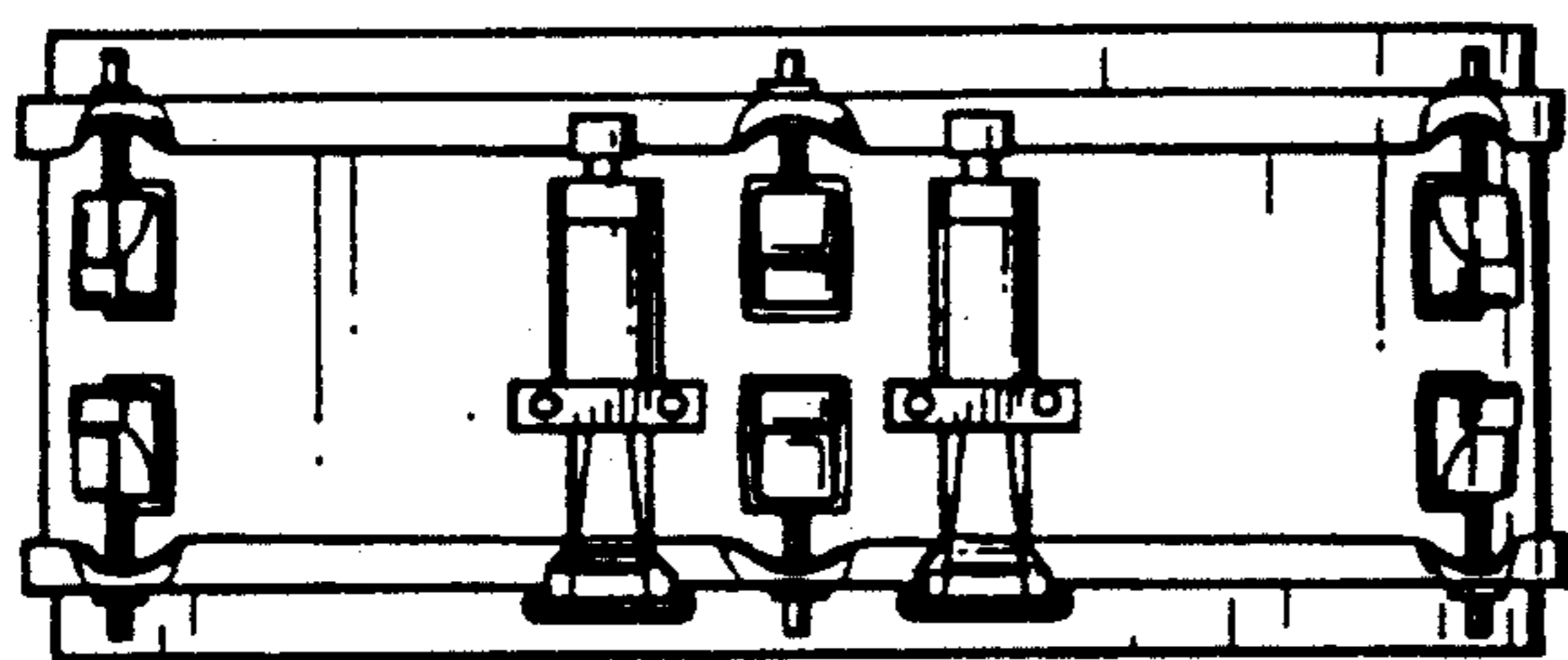


FIG. 7

FIG. 8

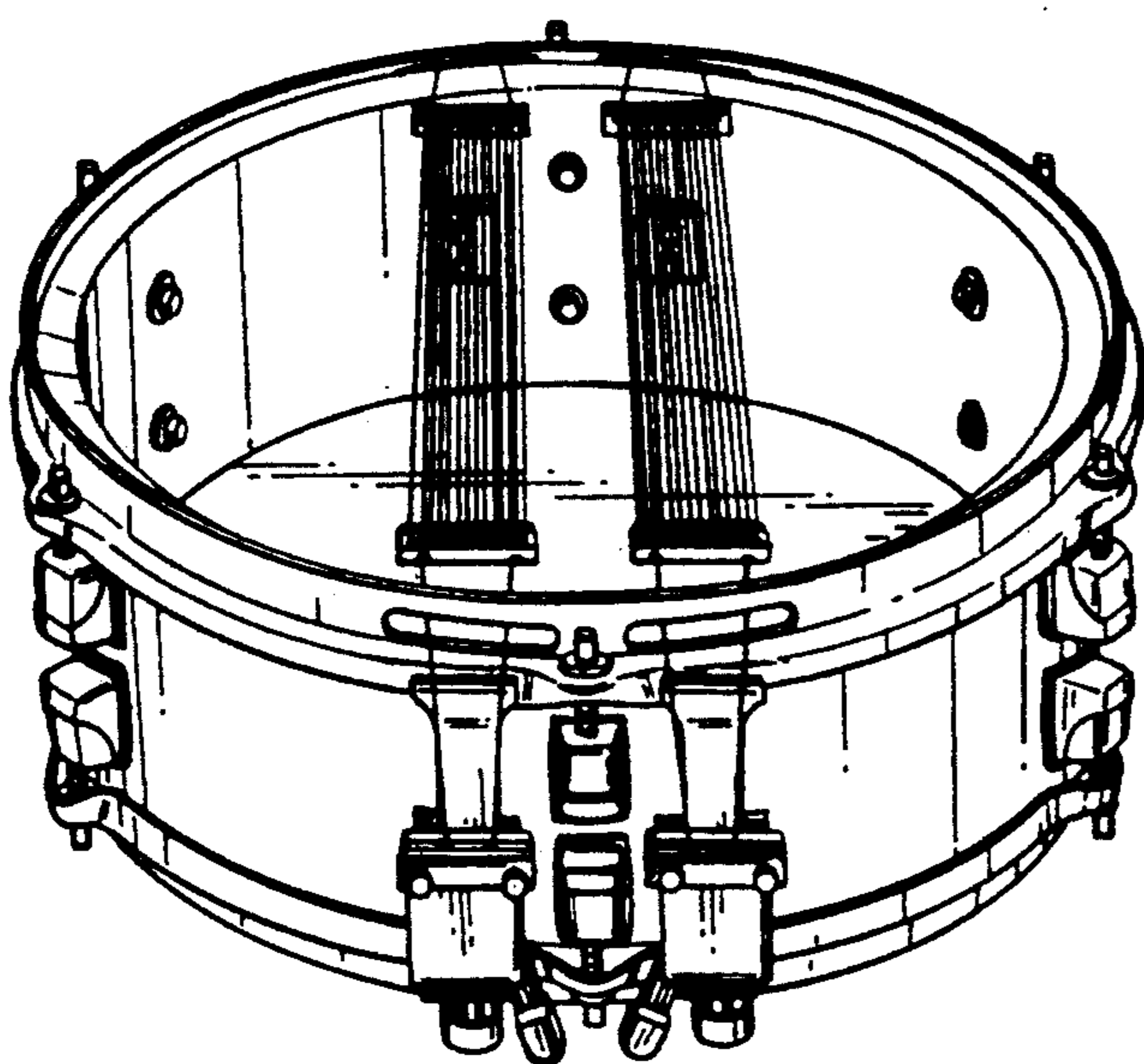
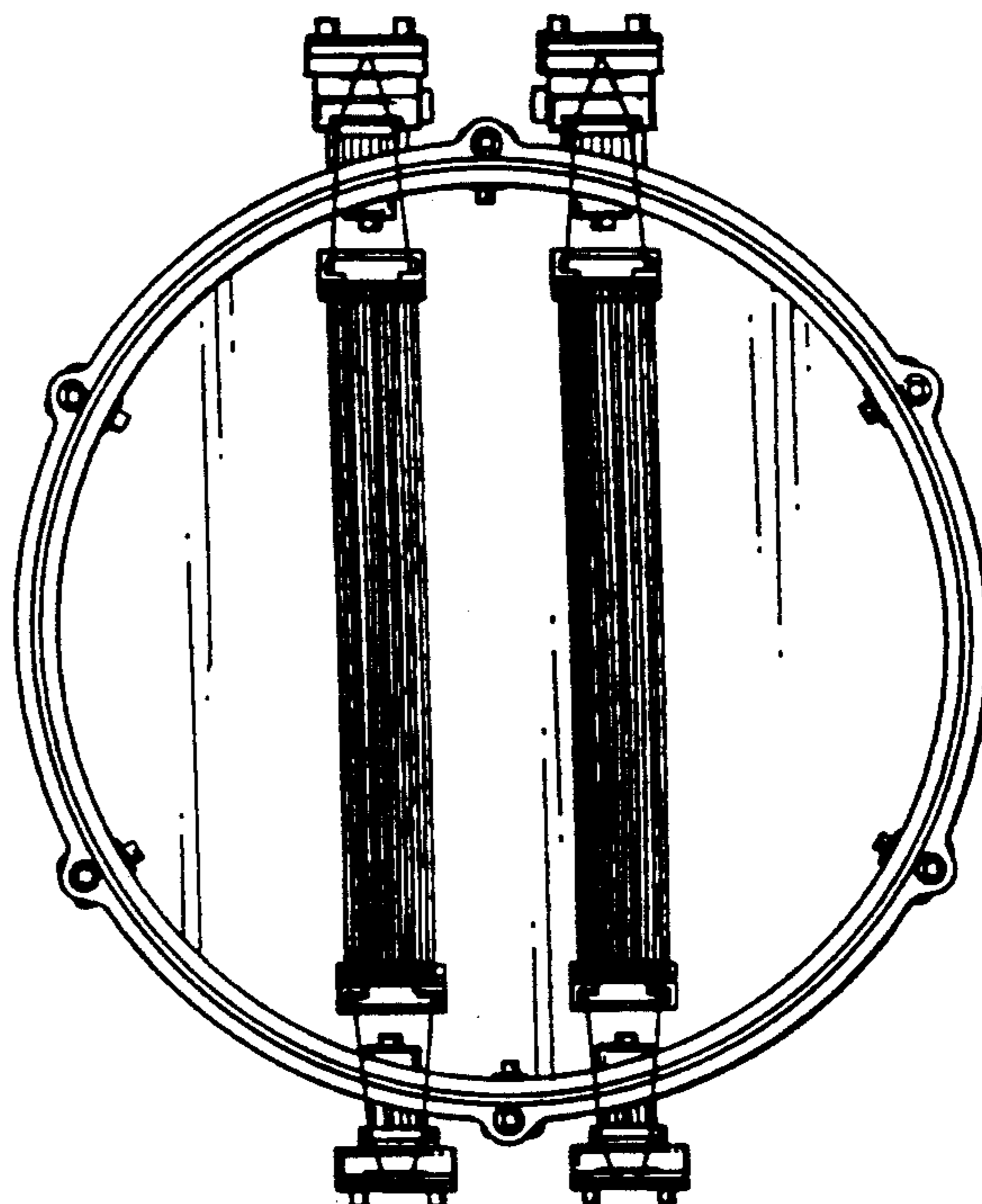


FIG. 9

UNITED STATES PATENT AND TRADEMARK OFFICE
CERTIFICATE OF CORRECTION

PATENT NO. : Des. 340,254
DATED : October 12, 1993
INVENTOR(S) : Toshinori Yamashita

It is certified that error appears in the above-identified patent and that said Letters Patent is hereby corrected as shown below:

On the cover page, on the last line under DESCRIPTION,
"perspective view thereof" should read --perspective view.--.

Signed and Sealed this
Twenty-first Day of February, 1995

Attest:



BRUCE LEHMAN

Attesting Officer

Commissioner of Patents and Trademarks