



US00D340251S

# United States Patent [19]

[11] Patent Number: **Des. 340,251**

Frenkler et al.

[45] Date of Patent: **\*\* Oct. 12, 1993**

[54] **MICROSCOPE**

[75] Inventors: **Friedrich K. Frenkler, Tokyo;**  
**Norikatsu Morita, Tatebayashi, both**  
**of Japan**

[73] Assignee: **Olympus Optical Co., Ltd., Tokyo,**  
**Japan**

[\*\*] Term: **14 Years**

[21] Appl. No.: **717,721**

[22] Filed: **Jun. 19, 1991**

[30] **Foreign Application Priority Data**

Dec. 26, 1990 [JP] Japan ..... 2-42849

[52] U.S. Cl. .... **D16/131**

[58] Field of Search ..... **D16/131; 359/368, 383,**  
**359/382, 385, 391, 392, 393, 399**

[56] **References Cited**

**U.S. PATENT DOCUMENTS**

- D. 273,592 4/1984 Armbruster ..... D16/131
- D. 296,904 7/1988 Lukaszewski ..... D16/131
- 4,299,440 11/1981 Hodgson ..... D16/131 X
- 4,557,568 12/1985 Van Benschoten ..... 359/393
- 4,624,537 11/1986 Hanssen et al. .... 359/393

- 4,695,137 9/1987 Jorgens et al. .... 359/383
- 4,725,720 2/1988 Sawada et al. .... 359/385 X
- 4,824,229 4/1989 Narita et al. .... D16/131 X
- 5,076,680 12/1991 Arjarasumpun ..... 359/391

**OTHER PUBLICATIONS**

Cole-Parmer, 1989-90 Catalog, p. 416, Microscope B.

*Primary Examiner*—A. Hugo Word

*Assistant Examiner*—Doris V. Coles

*Attorney, Agent, or Firm*—Frishauf, Holtz, Goodman & Woodward

[57] **CLAIM**

The ornamental design for a microscope, as shown.

**DESCRIPTION**

FIG. 1 is a top, front and left side perspective view of a microscope showing our new design;

FIG. 2 is a top, rear and right side elevational view thereof;

FIG. 3 is a left side elevational view thereof;

FIG. 4 is a front elevational view thereof;

FIG. 5 is a bottom plan view thereof;

FIG. 6 is a top plan view thereof;

FIG. 7 is a right side elevational view thereof; and,

FIG. 8 is a rear elevational view thereof.

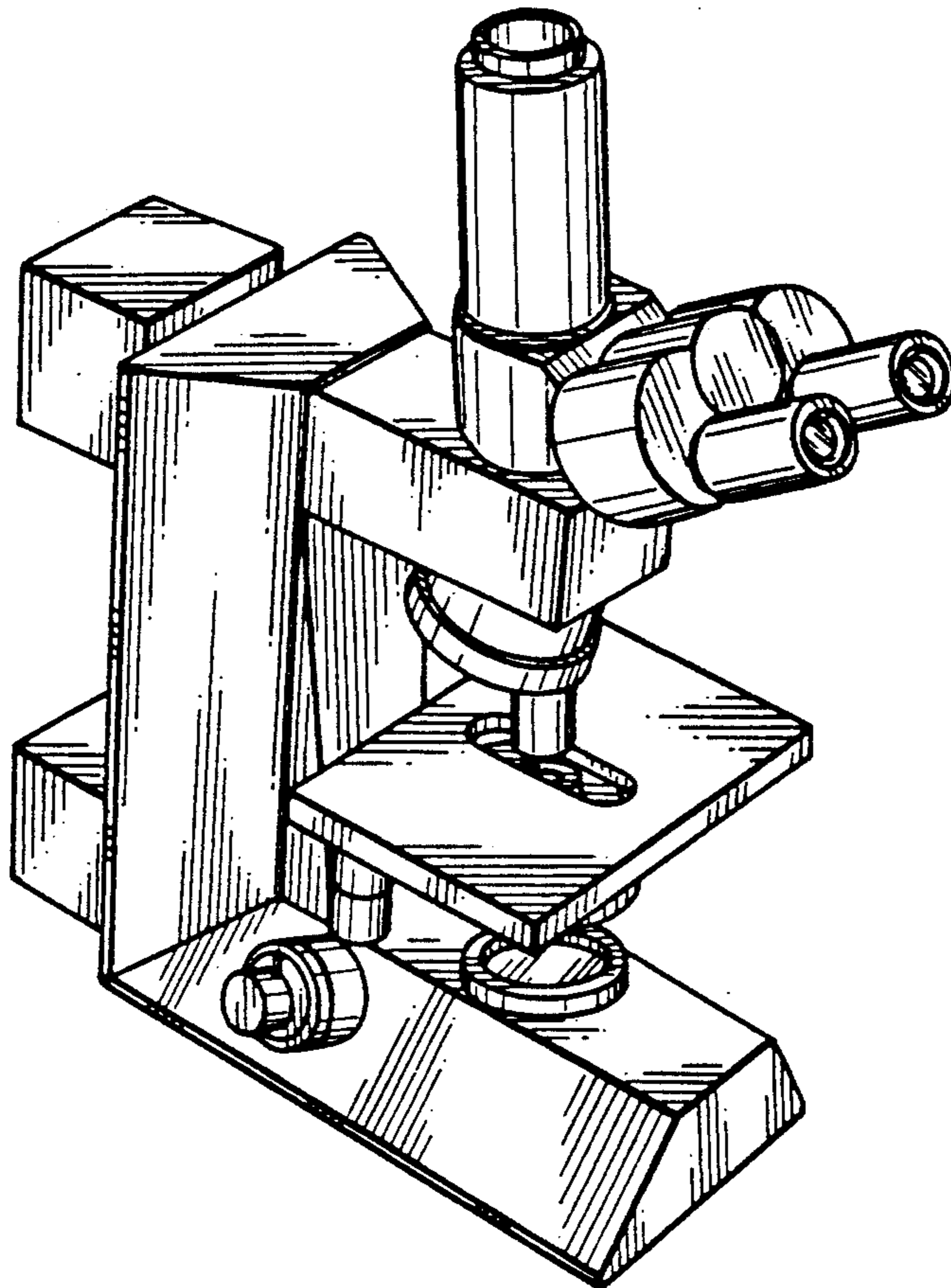


FIG. 1

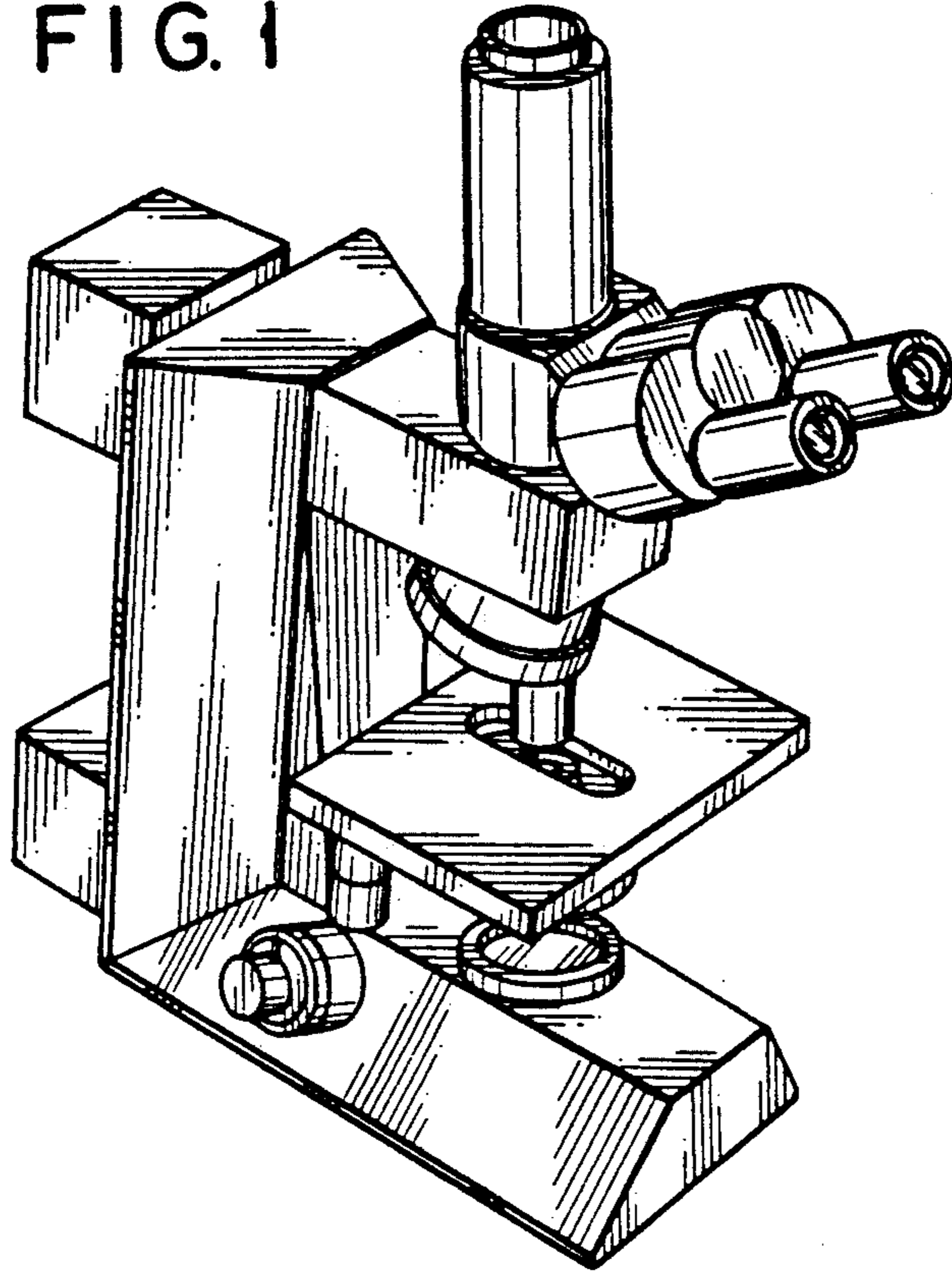


FIG. 2

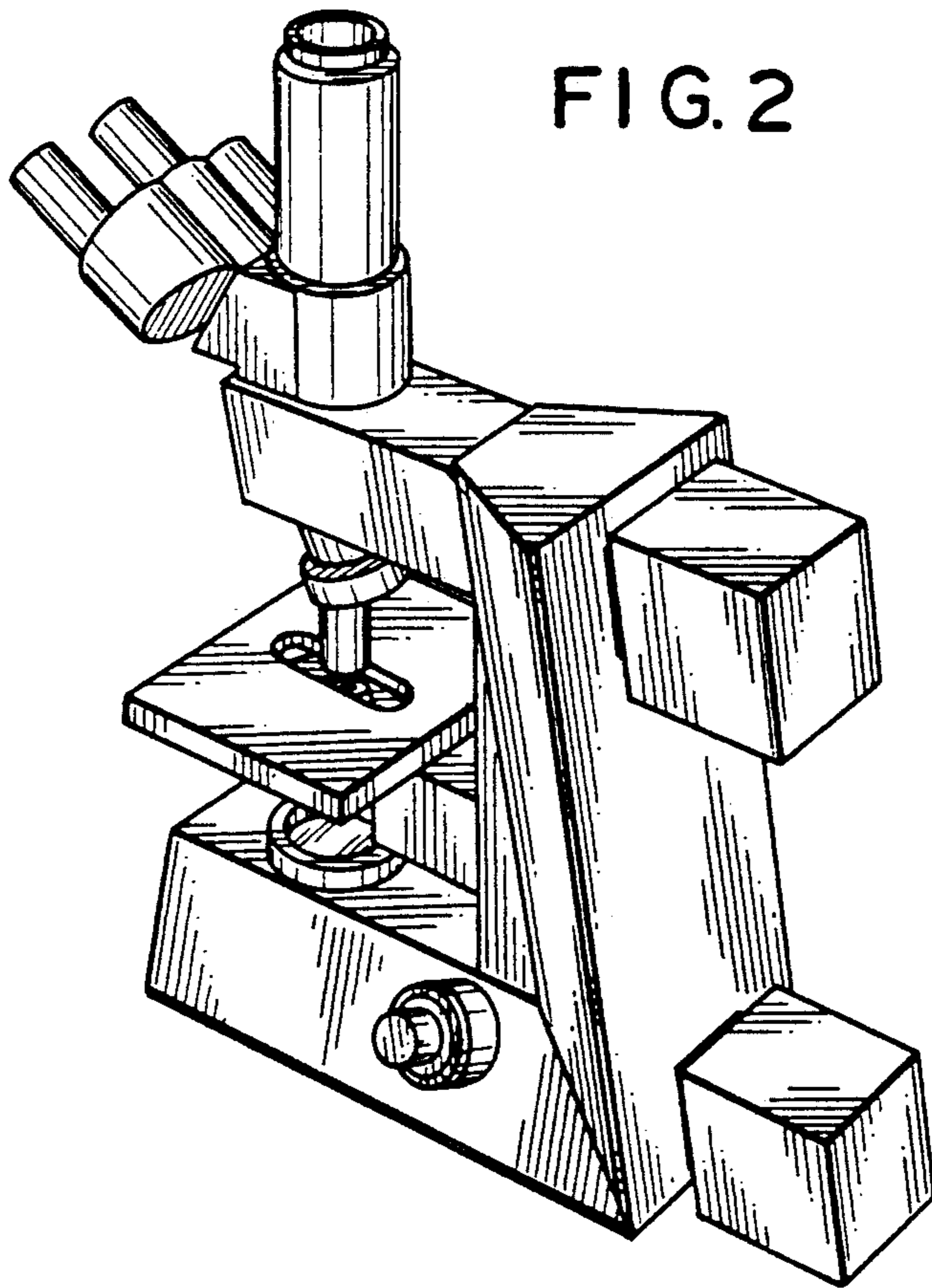


FIG. 3

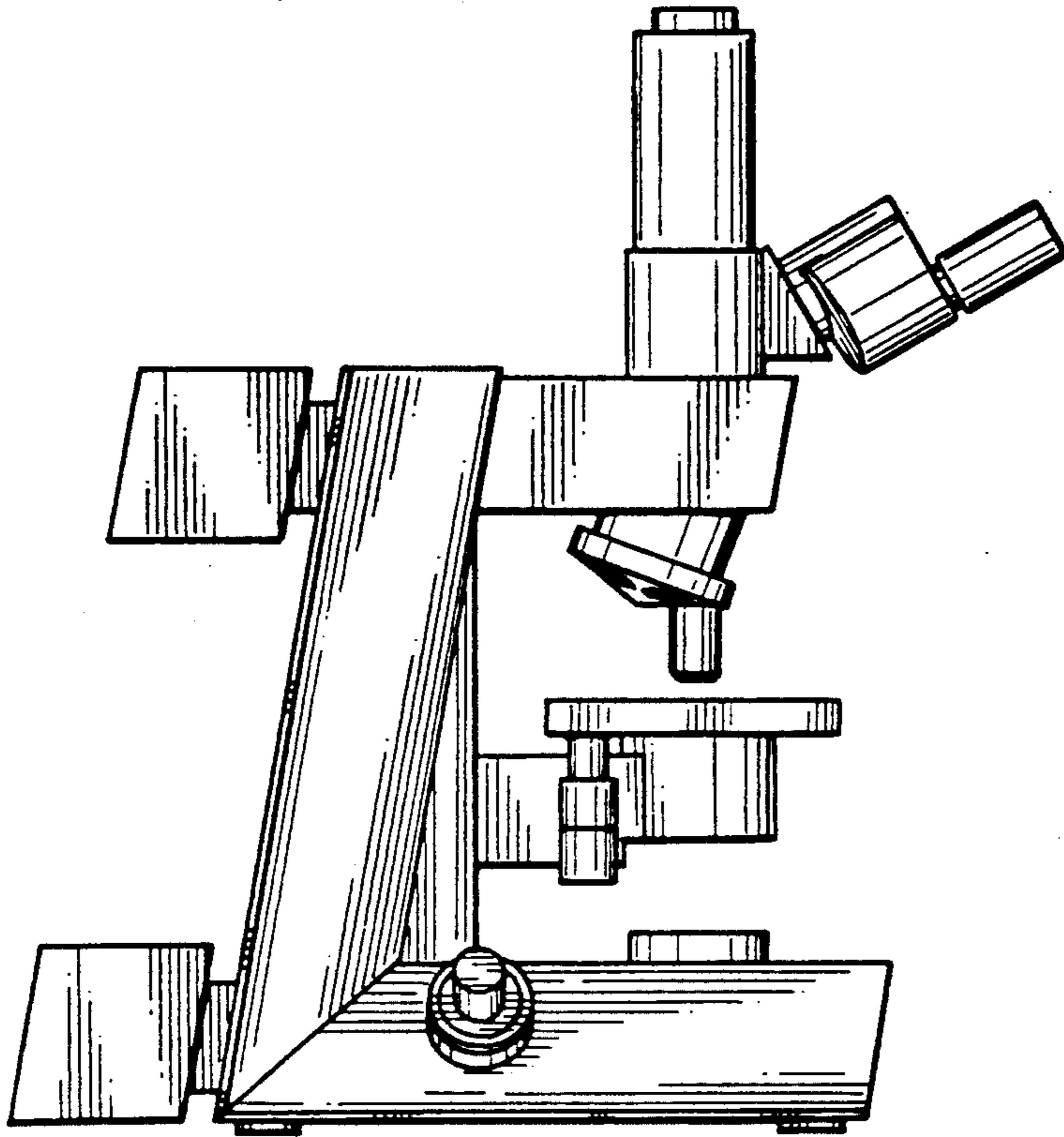


FIG. 4

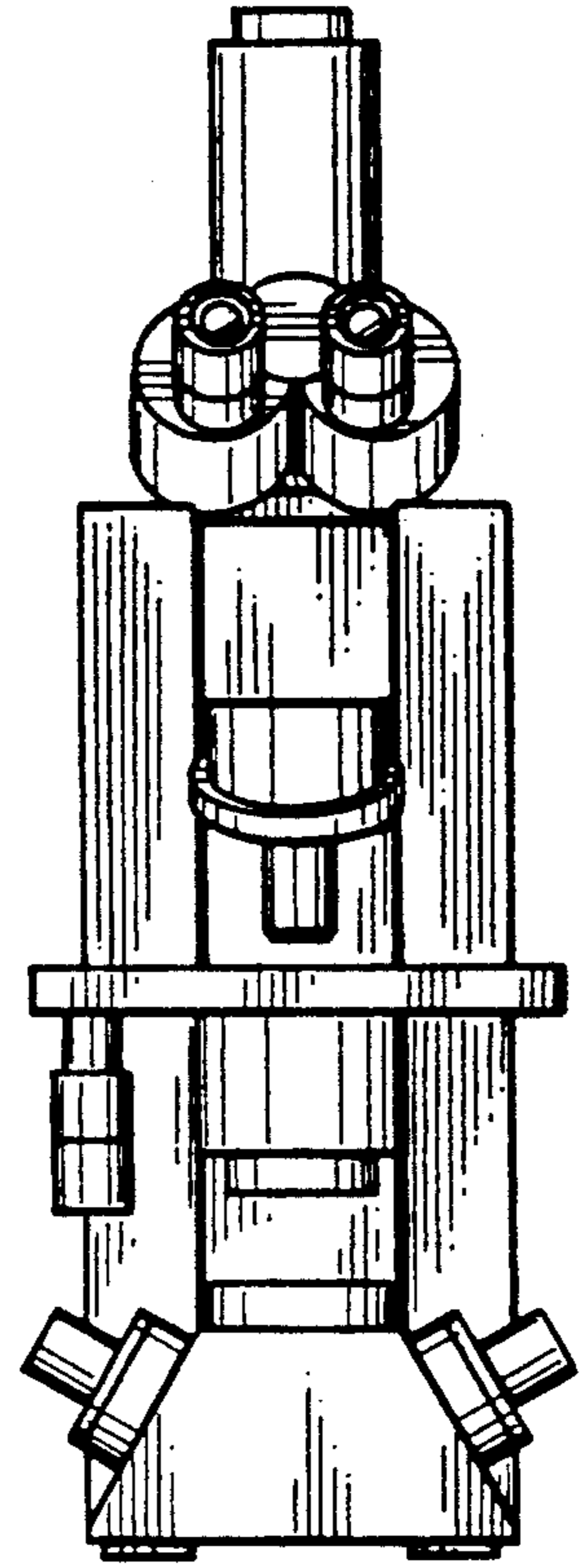


FIG. 5

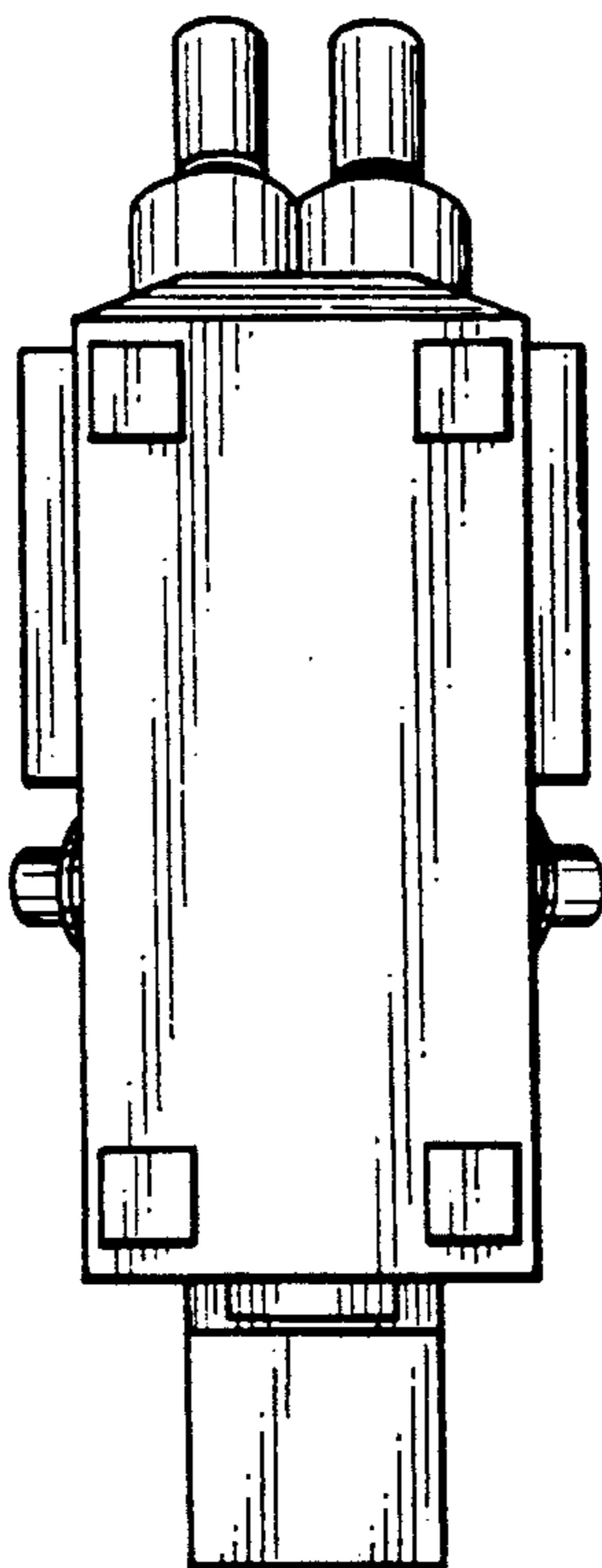


FIG. 6

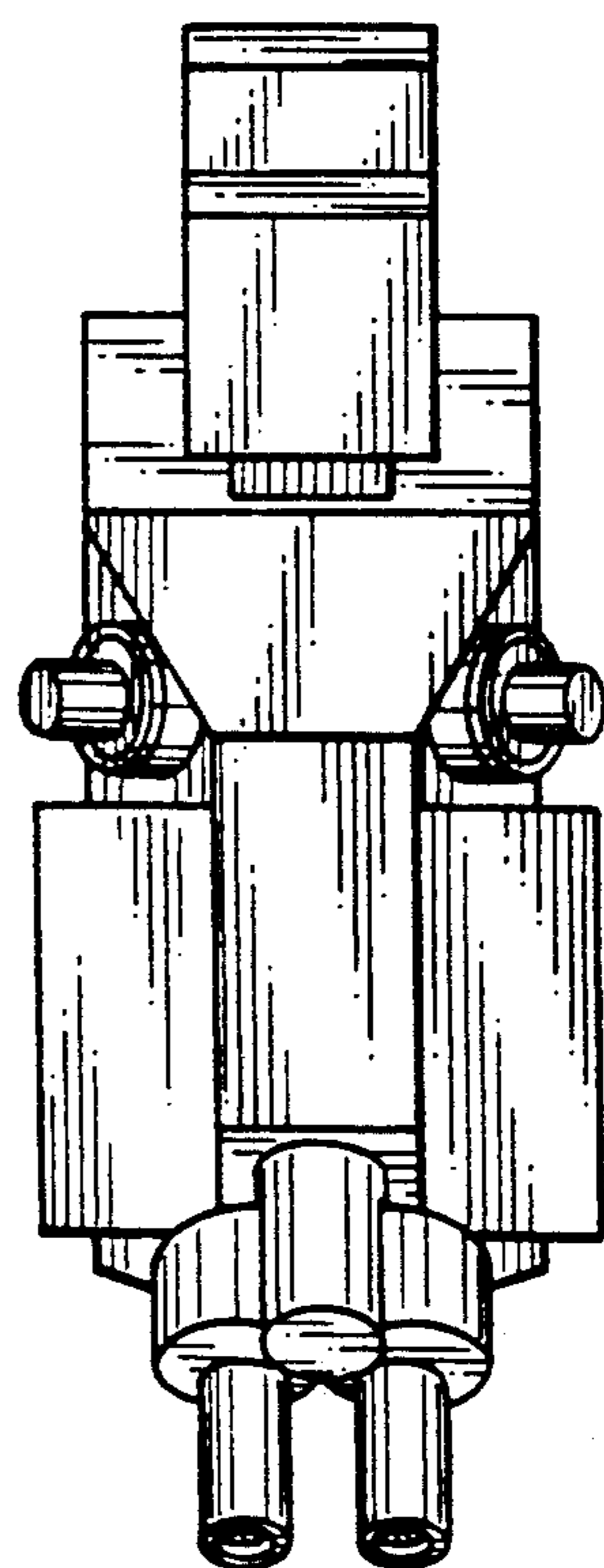


FIG. 7

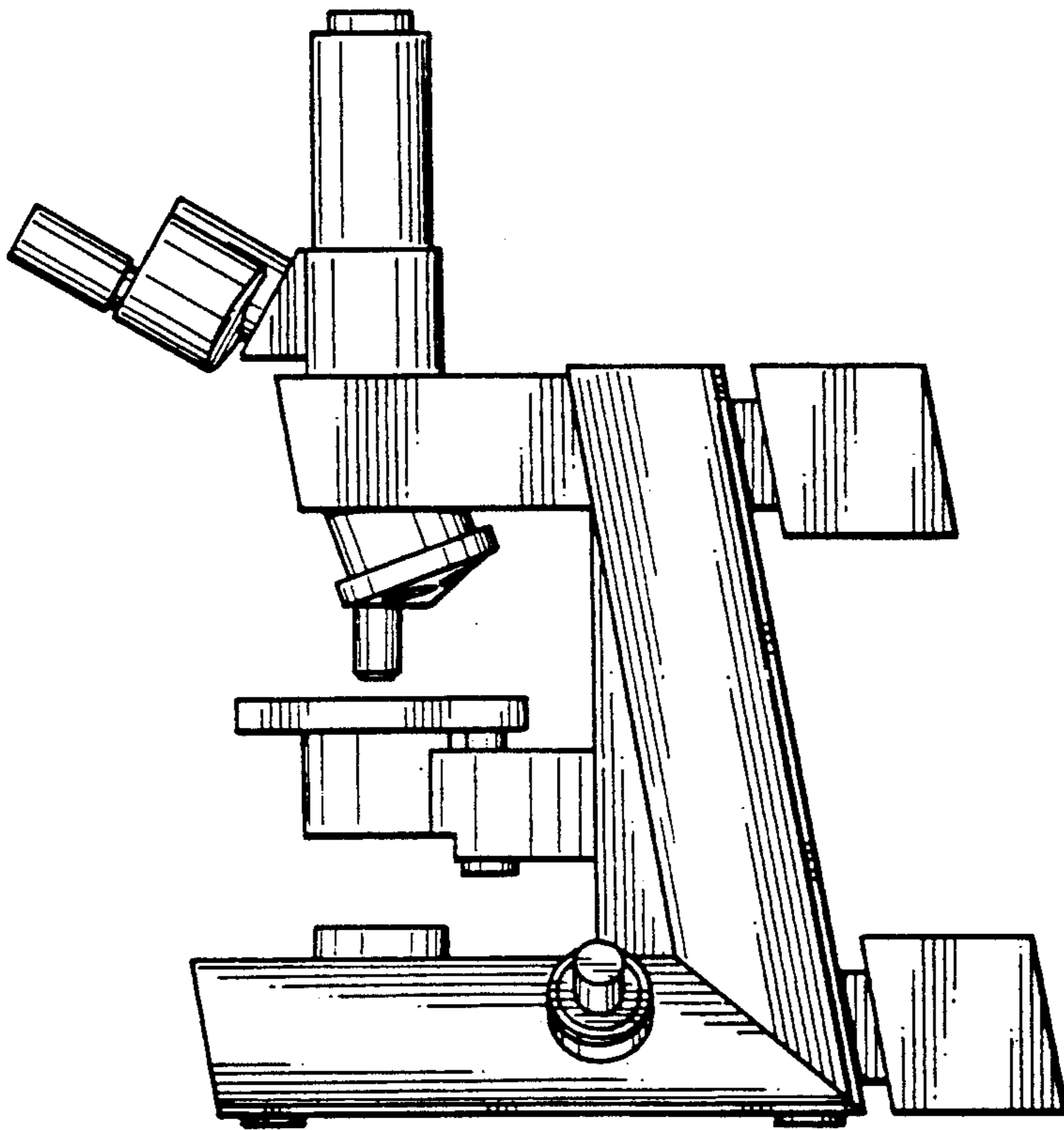


FIG. 8

