



US00D340249S

United States Patent [19]

[11] Patent Number: **Des. 340,249**

Steele

[45] Date of Patent: **** Oct. 12, 1993**

[54] **AUTOMATIC CAPSULE MIXING DEVICE**

[75] Inventor: **Charles E. Steele, Canton, Mich.**

[73] Assignee: **Kerr Manufacturing Company, Romulus, Mich.**

[**] Term: **14 Years**

[21] Appl. No.: **837,410**

[22] Filed: **Feb. 14, 1992**

[52] U.S. Cl. **D15/147; D24/176; D24/220**

[58] Field of Search **D15/147; D24/176, 220; 366/208, 210, 215, 216, 209, 219, 349, 601, 602; 235/493**

4,074,900	2/1978	Drury .
4,153,374	5/1979	Adams .
4,184,776	1/1980	Shampanier .
4,371,259	1/1983	Howitt .
4,415,270	11/1983	Heinis et al. .
4,531,839	7/1985	Canisse et al. .
4,673,297	6/1987	Siczek et al. .
4,705,083	11/1987	Rossetti .
4,822,172	4/1989	Stottmann .
4,890,931	1/1990	Herold .
4,893,938	1/1990	Anderson .

Primary Examiner—Alan P. Douglas
Assistant Examiner—Antoine D. Davis
Attorney, Agent, or Firm—Cumpston & Shaw

[56] **References Cited**

U.S. PATENT DOCUMENTS

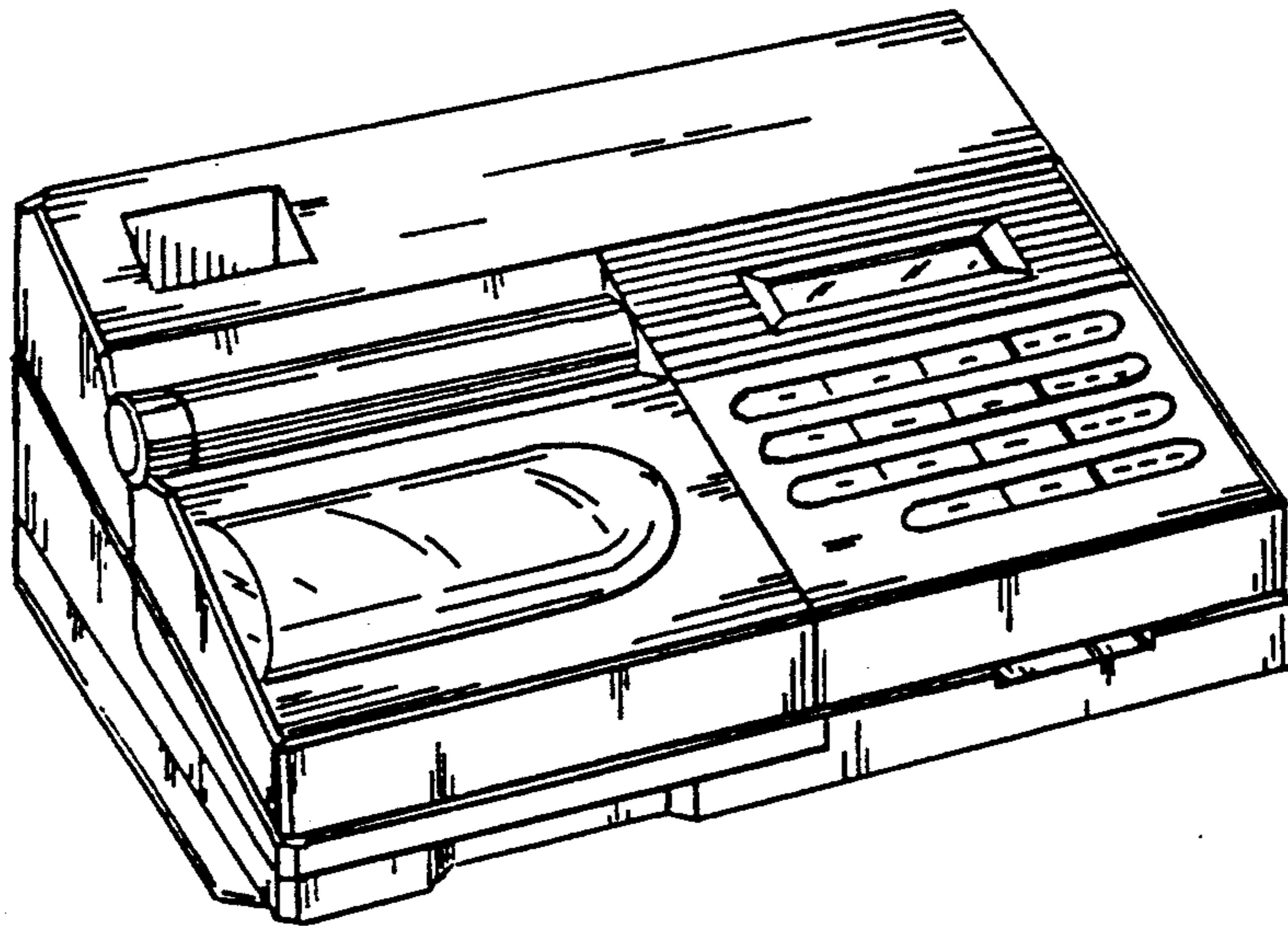
D. 282,004	12/1985	Neumeister	D24/176
D. 306,303	2/1990	Takeda	D15/146
2,034,902	3/1936	Heinze .	
2,286,600	6/1942	Chott .	
2,458,692	1/1949	Downer ..	
2,527,556	10/1950	Kost .	
3,198,502	8/1965	Thompson .	
3,374,584	3/1968	Haught .	
3,749,371	7/1973	Folkenroth et al. .	

[57] **CLAIM**

The ornamental design for an automatic capsule mixing device, as shown and described.

DESCRIPTION

FIG. 1 is a front perspective view of an automatic capsule mixing device showing my new design; FIG. 2 is a top plan view thereof; FIG. 3 is a left side elevational view thereof; FIG. 4 is a front elevational view thereof; FIG. 5 is a bottom plan view thereof; FIG. 6 is a right side elevational view thereof; and, FIG. 7 is a back elevational view thereof.



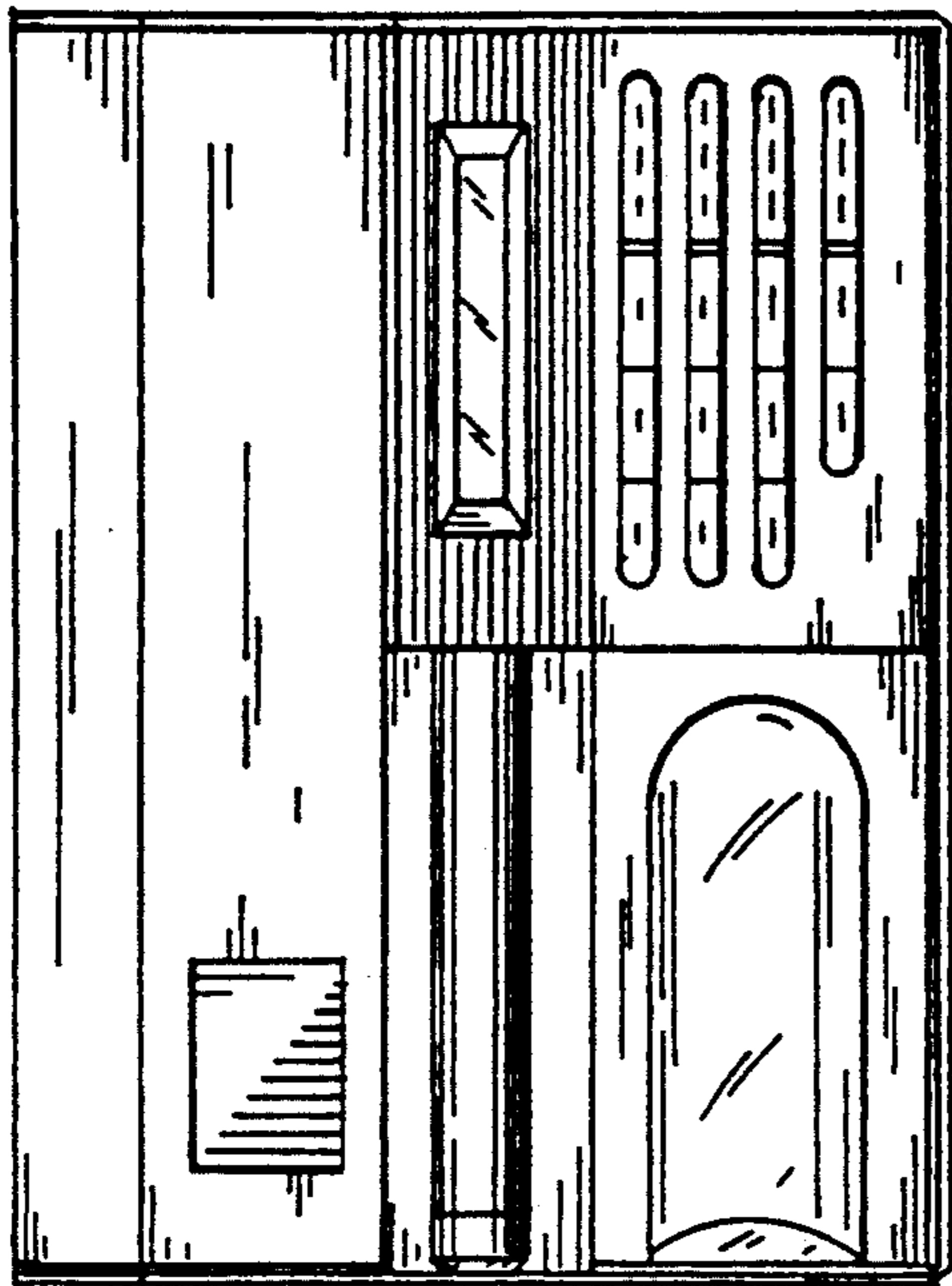


FIG. 2

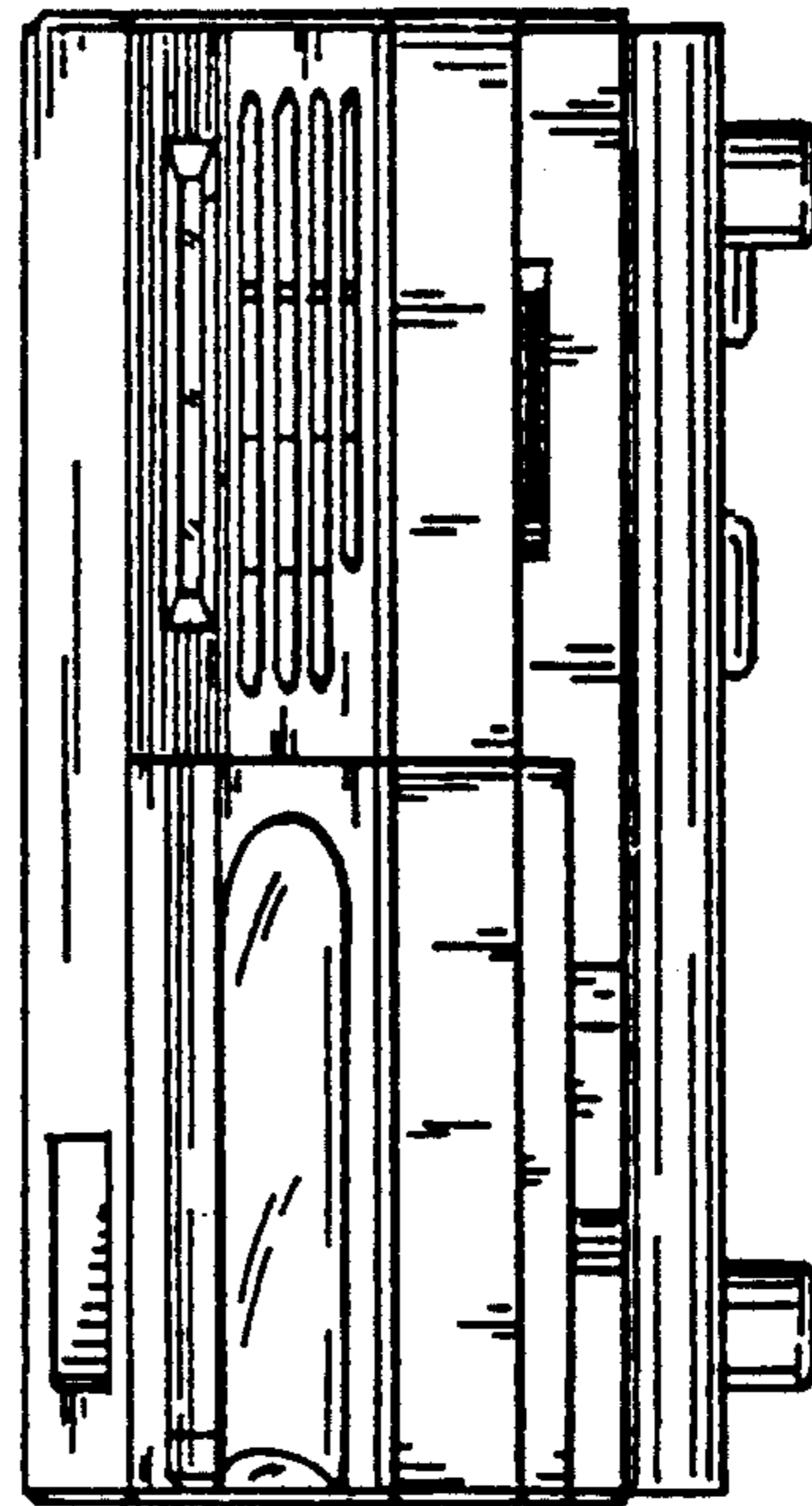


FIG. 4

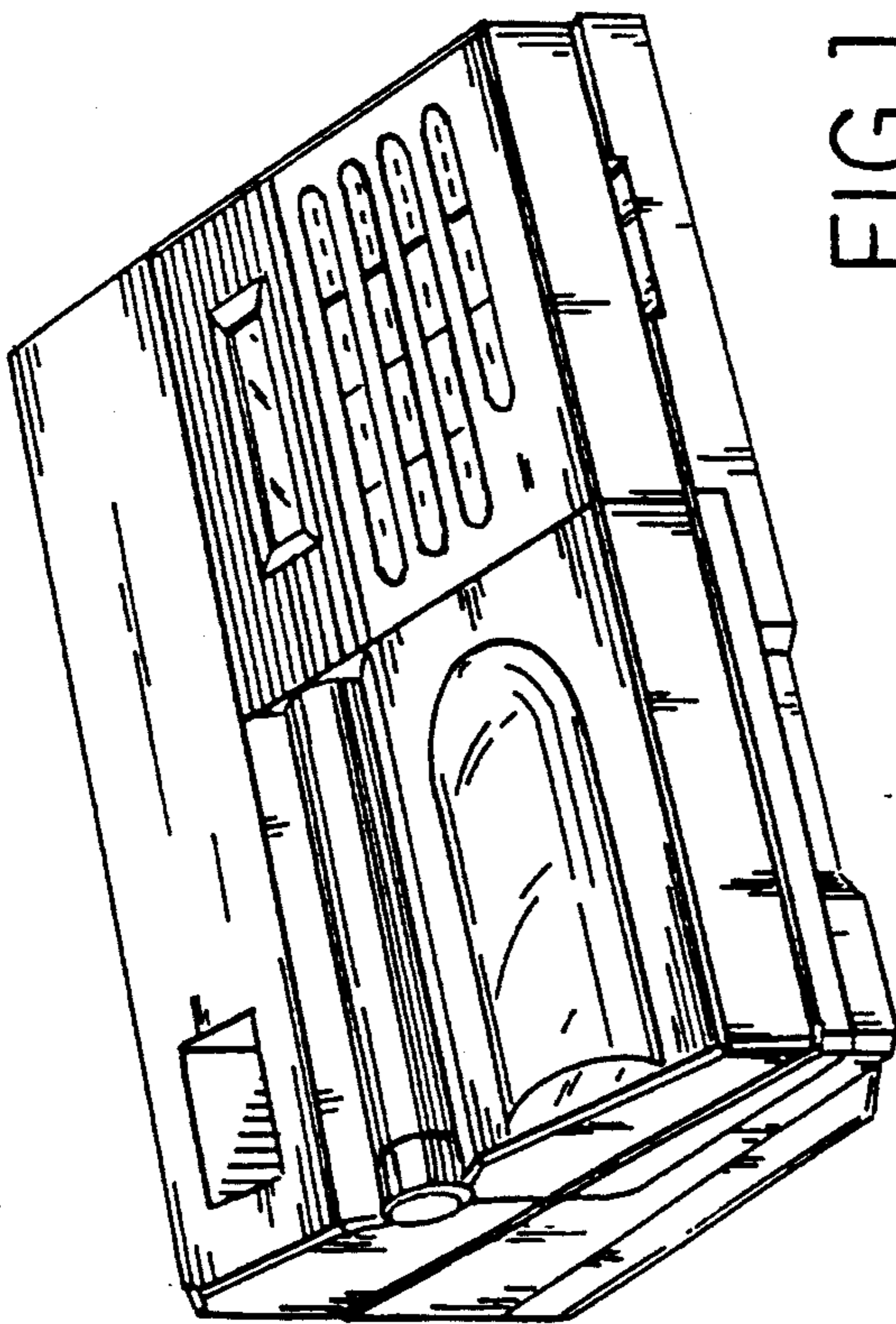


FIG. 1

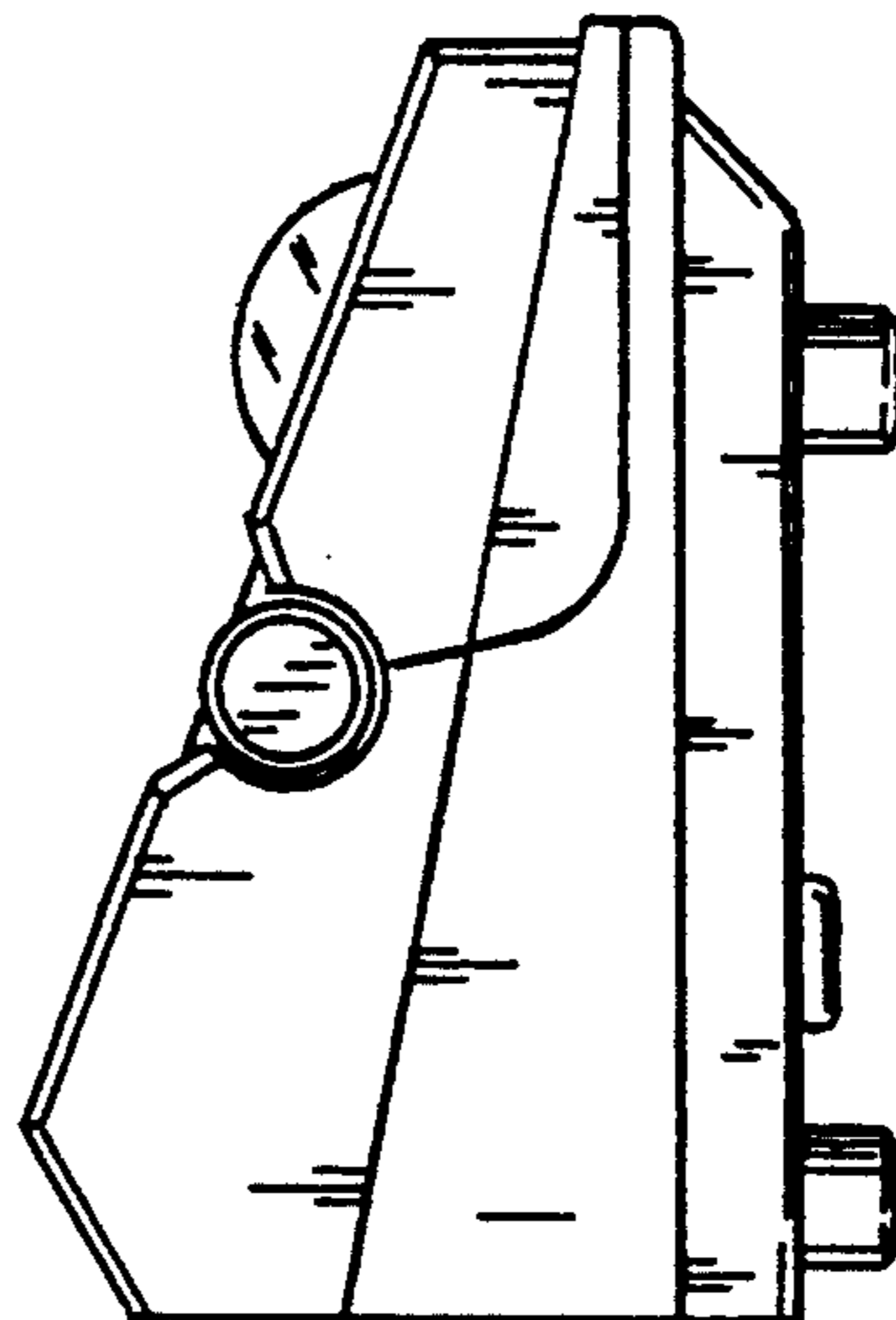


FIG. 3

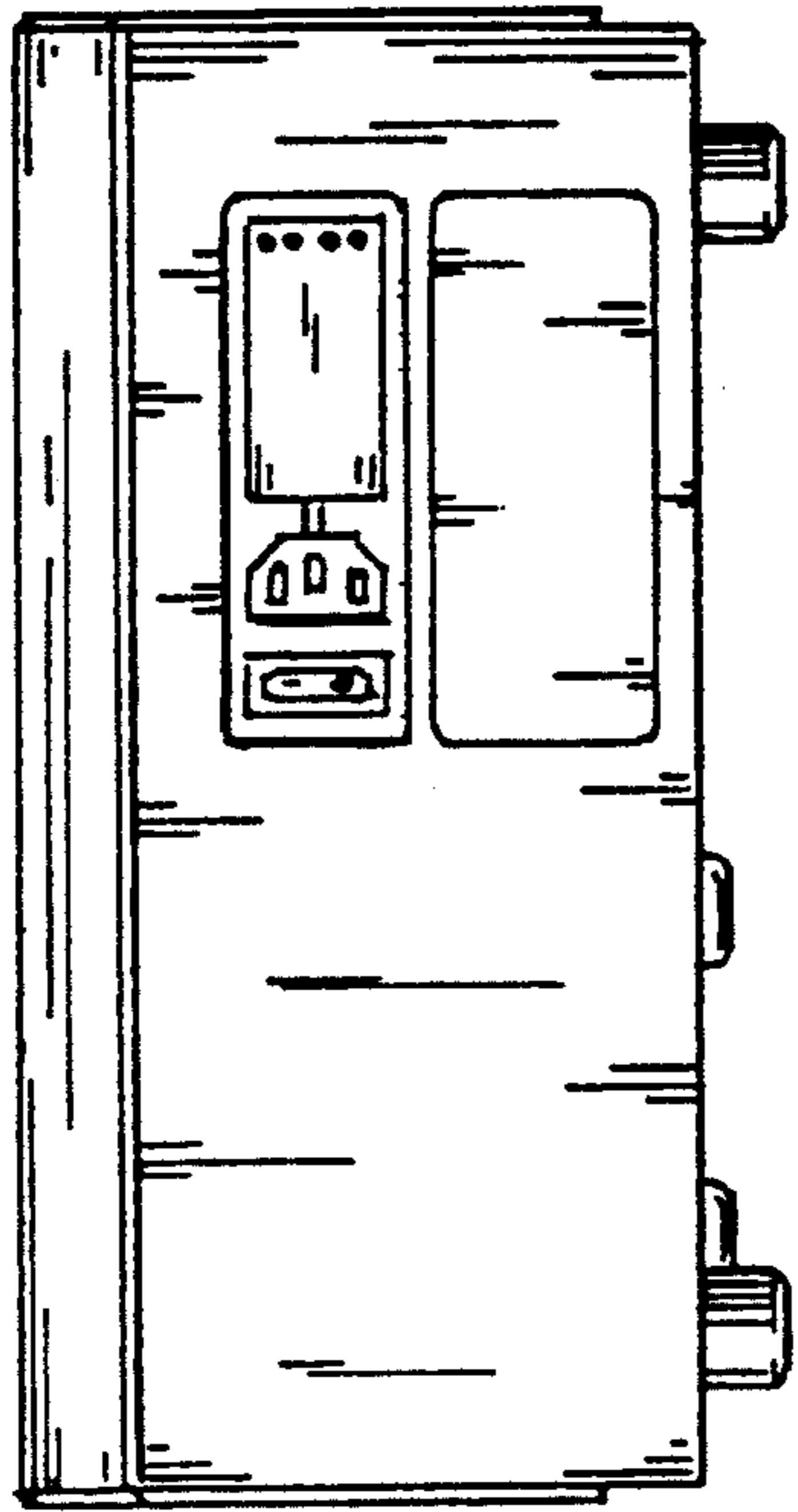


FIG. 7

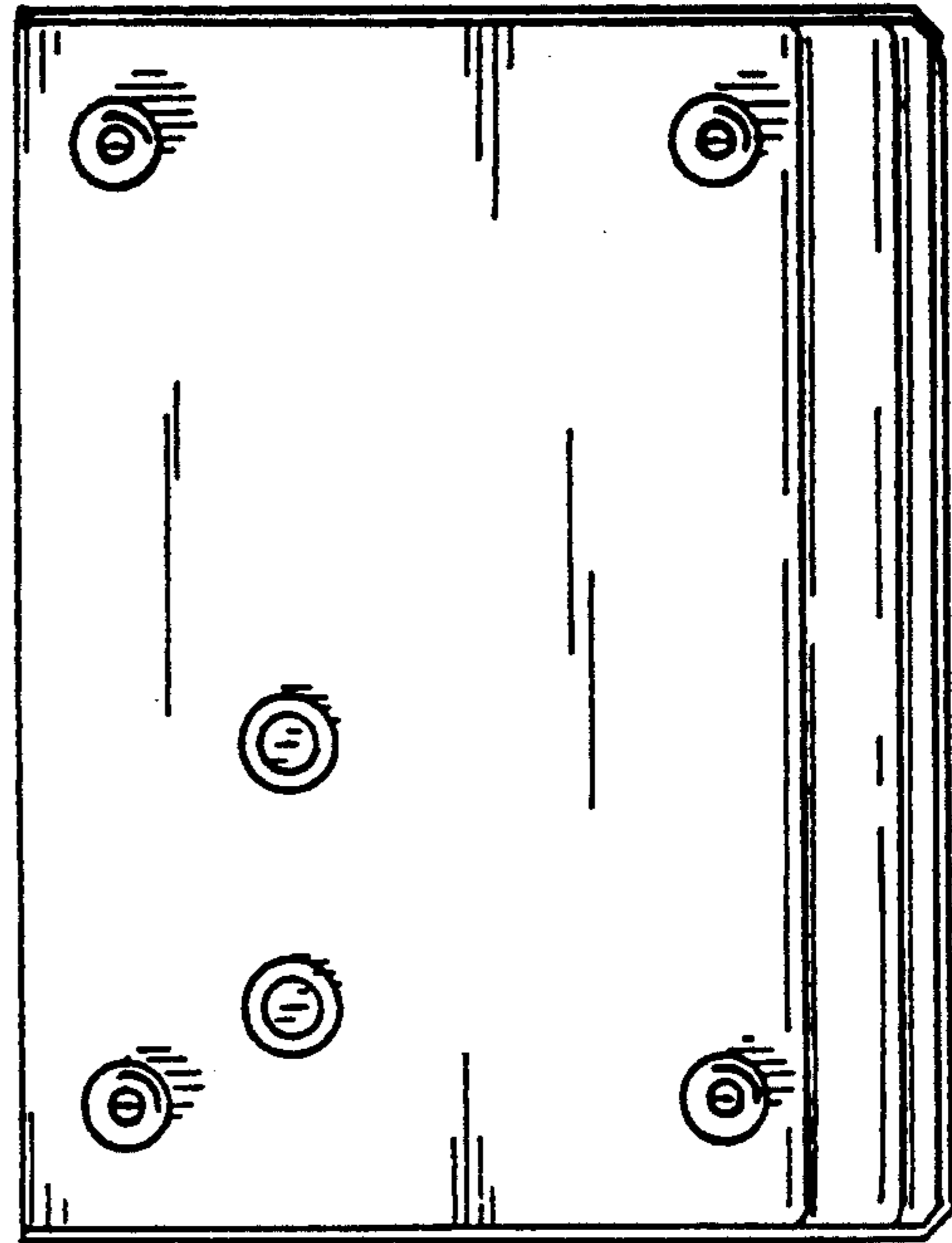


FIG. 5

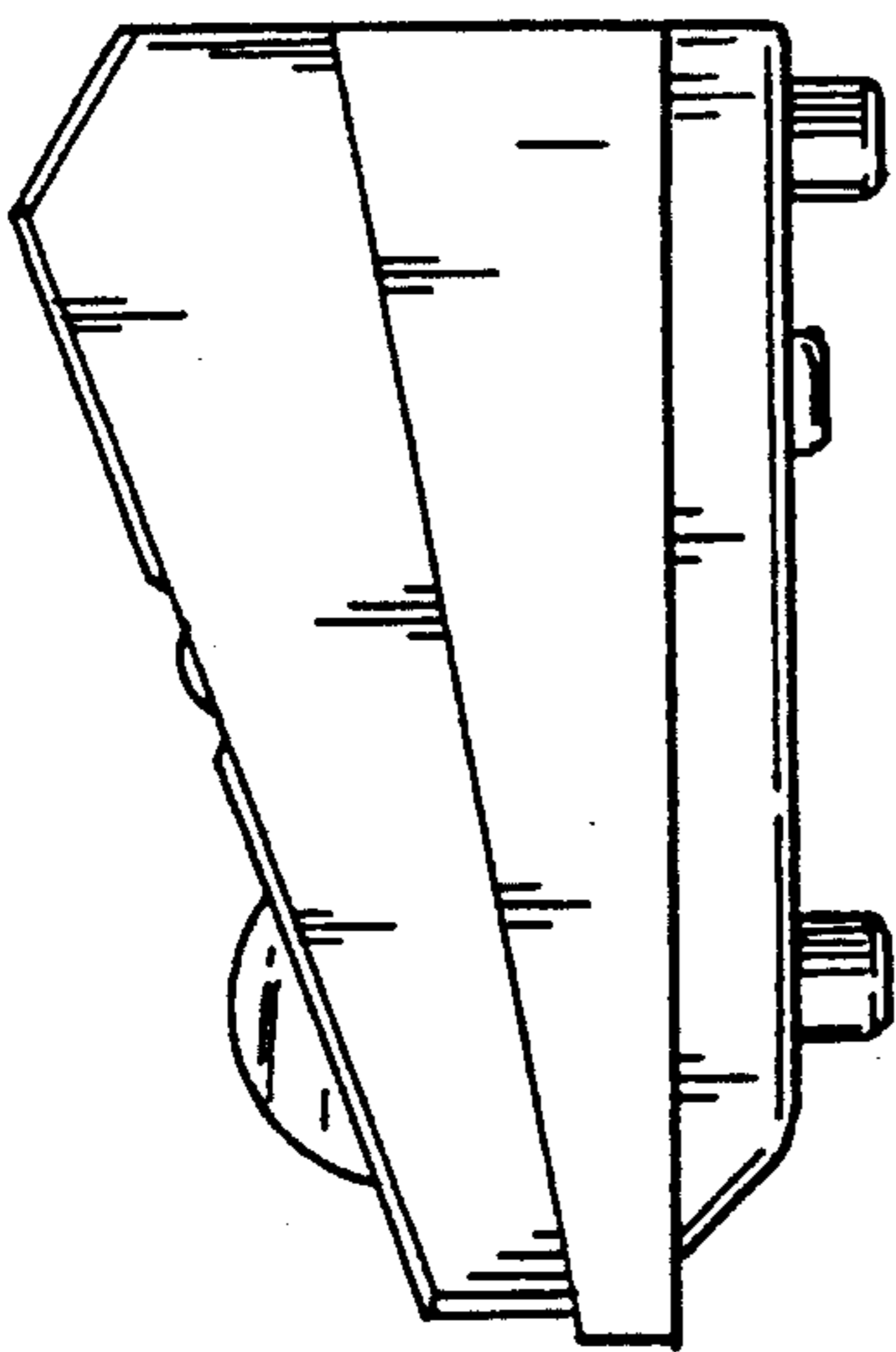


FIG. 6