



US00D340246S

# United States Patent [19]

[11] Patent Number: **Des. 340,246**

Newman

[45] Date of Patent: **\*\* Oct. 12, 1993**

[54] TELEPHONE TRIGGERED STEREO VOLUME REDUCER

4,373,120 2/1983 McDonald ..... 379/442 X  
5,099,514 3/1992 Acree ..... 379/441

[76] Inventor: Paul F. Newman, 4523 Eastbrook Ave., Lakewood, Calif. 90713

### OTHER PUBLICATIONS

B. A. Pargh, Fall 1989/1990, p. 374, top four items.

[\*\*] Term: 14 Years

Primary Examiner—Alan P. Douglas

[21] Appl. No.: 679,334

Assistant Examiner—Jeffrey Asch

[22] Filed: Apr. 2, 1991

Attorney, Agent, or Firm—Leon Gilden

[52] U.S. Cl. .... D14/240; D14/217

### [57] CLAIM

[58] Field of Search ..... D14/100, 107, 102, 114, D14/140, 142, 158, 256, 240, 217, 188, 218, 299; 379/441, 442, 373; D13/152, 162, 184, 199, 160

The ornamental design for a telephone triggered stereo volume reducer, as shown and described.

### DESCRIPTION

### [56] References Cited

#### U.S. PATENT DOCUMENTS

D. 275,667	9/1984	Dellinger et al. ....	D14/256
D. 300,428	3/1989	Yarmon .....	D14/158
D. 308,664	6/1990	Freeman .....	D14/256
D. 322,438	12/1991	Skowronski .....	D14/142
4,879,437	11/1989	Dard et al. ....	D13/162
4,362,905	12/1982	Ismail .....	379/442

FIG. 1 is a front elevational view of the telephone triggered stereo volume reducer, showing my new design; FIG. 2 is a rear elevational view thereof; FIG. 3 is a left side elevational view thereof; FIG. 4 is a right side elevational view thereof; FIG. 5 is a top plan view thereof; FIG. 6 is a bottom plan view thereof; and, FIG. 7 is a perspective view thereof.

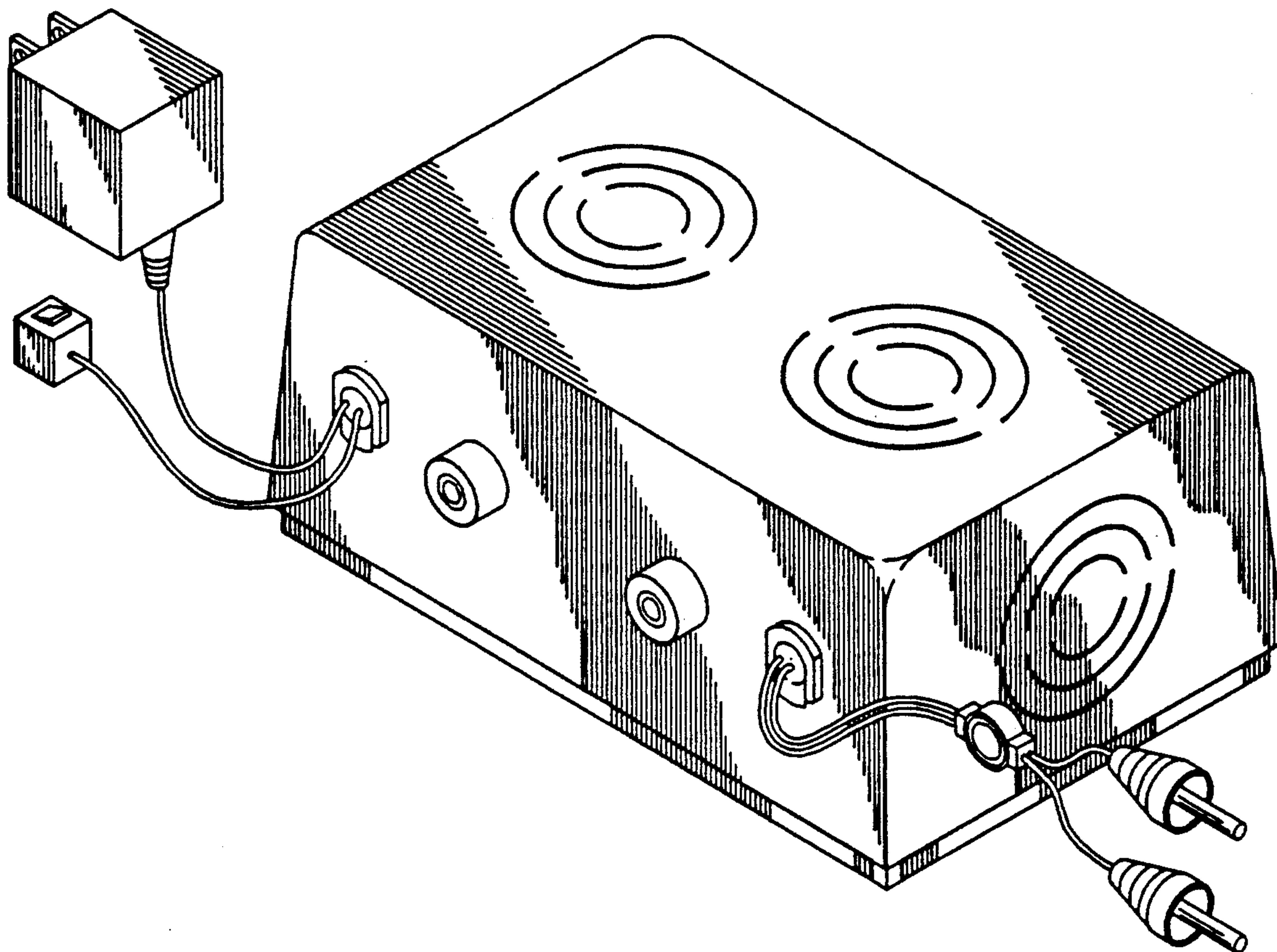


FIG. 1

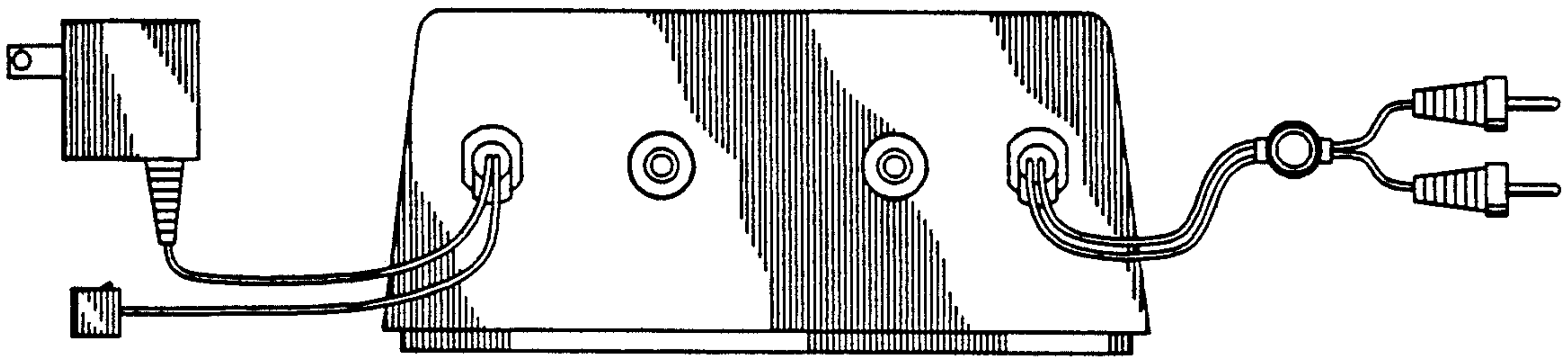


FIG. 2

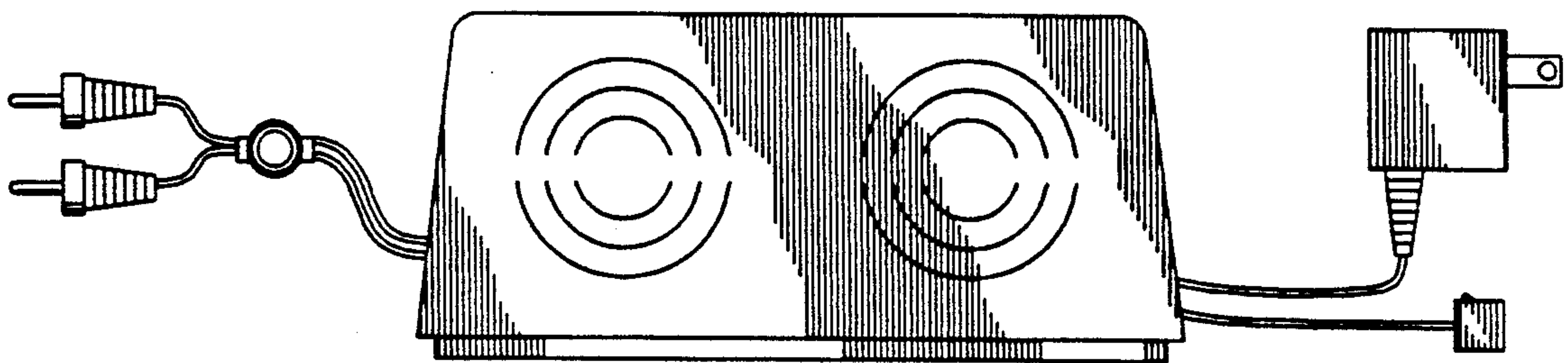


FIG. 3

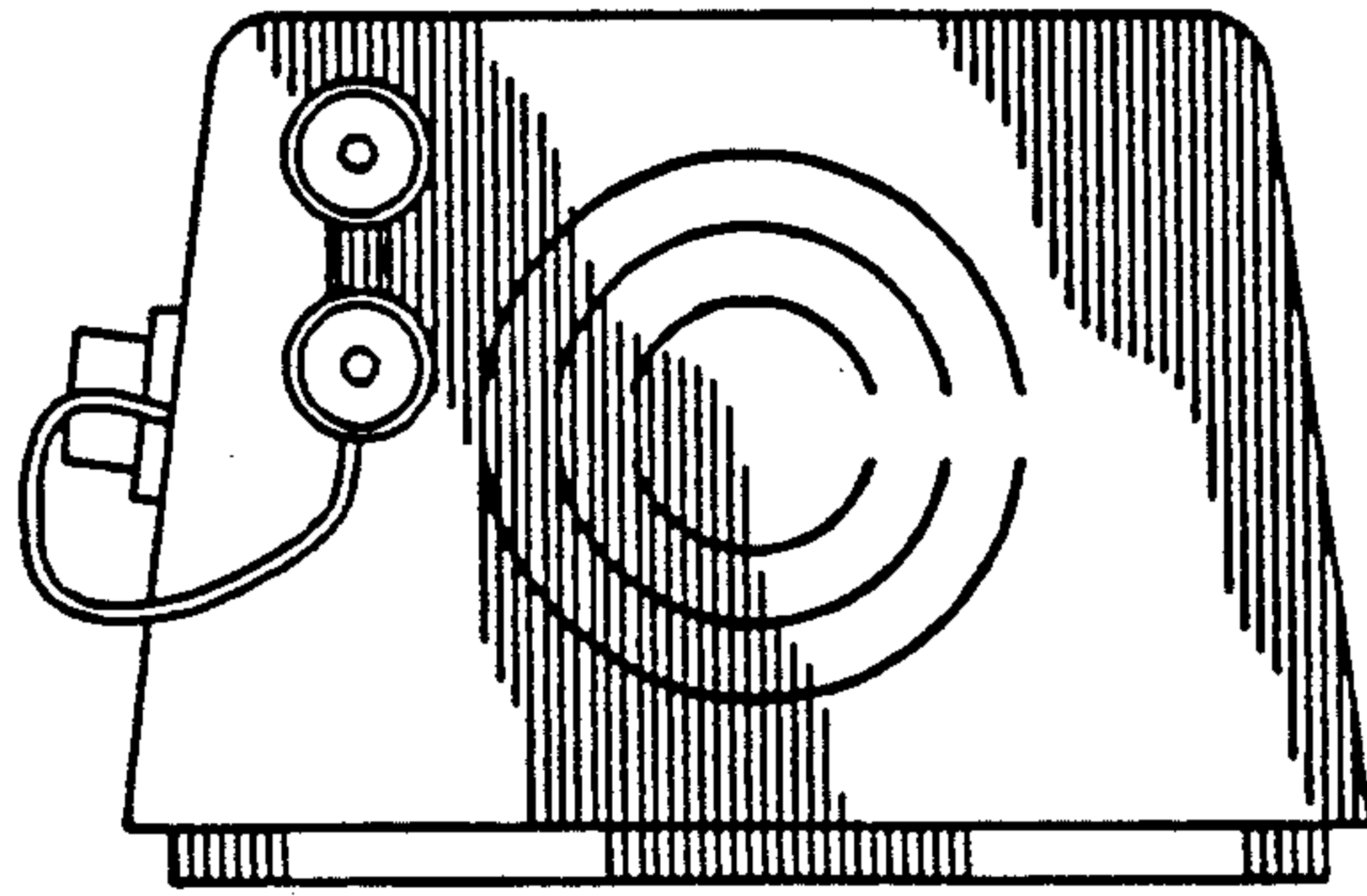


FIG. 4

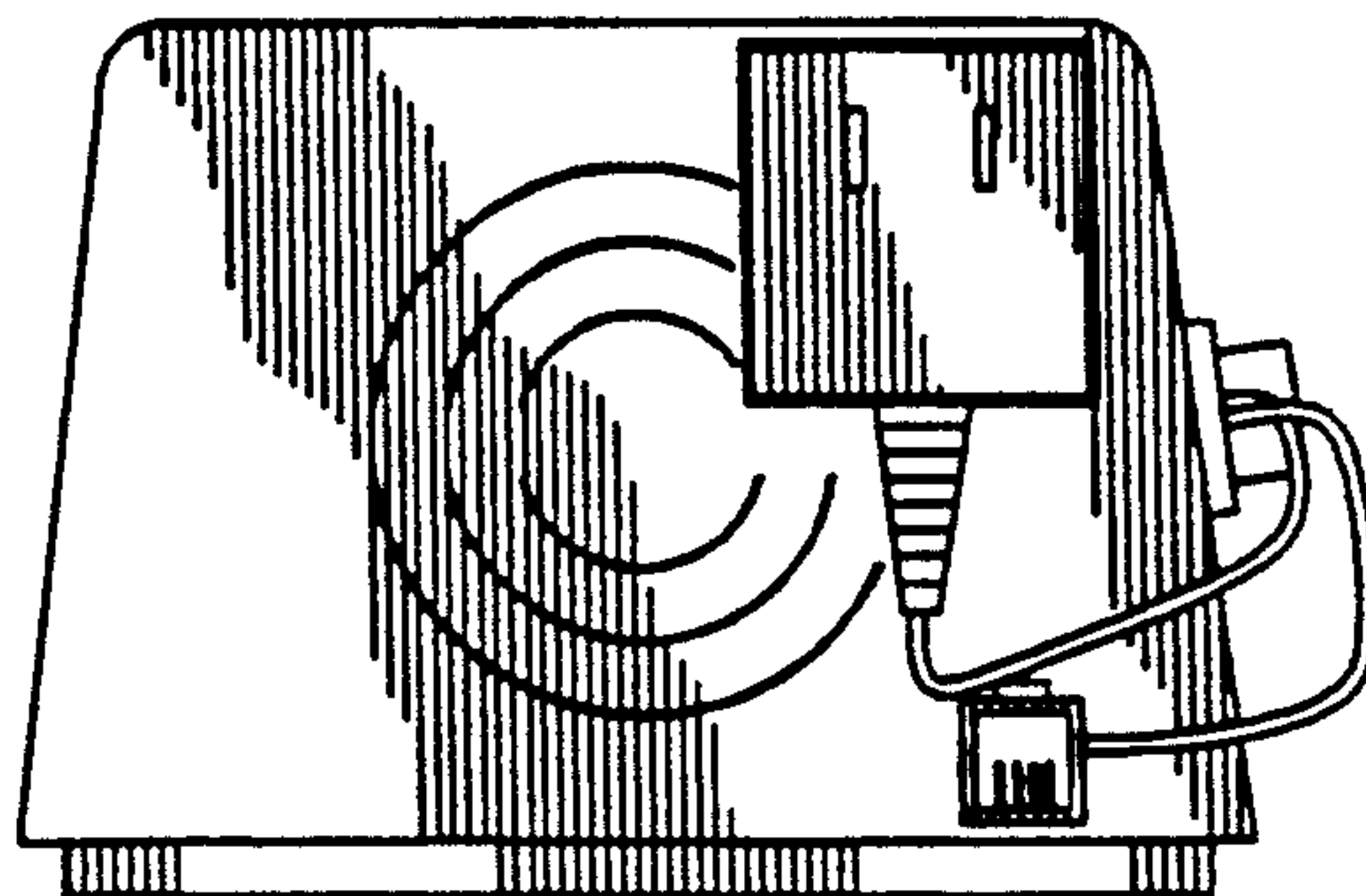


FIG. 5

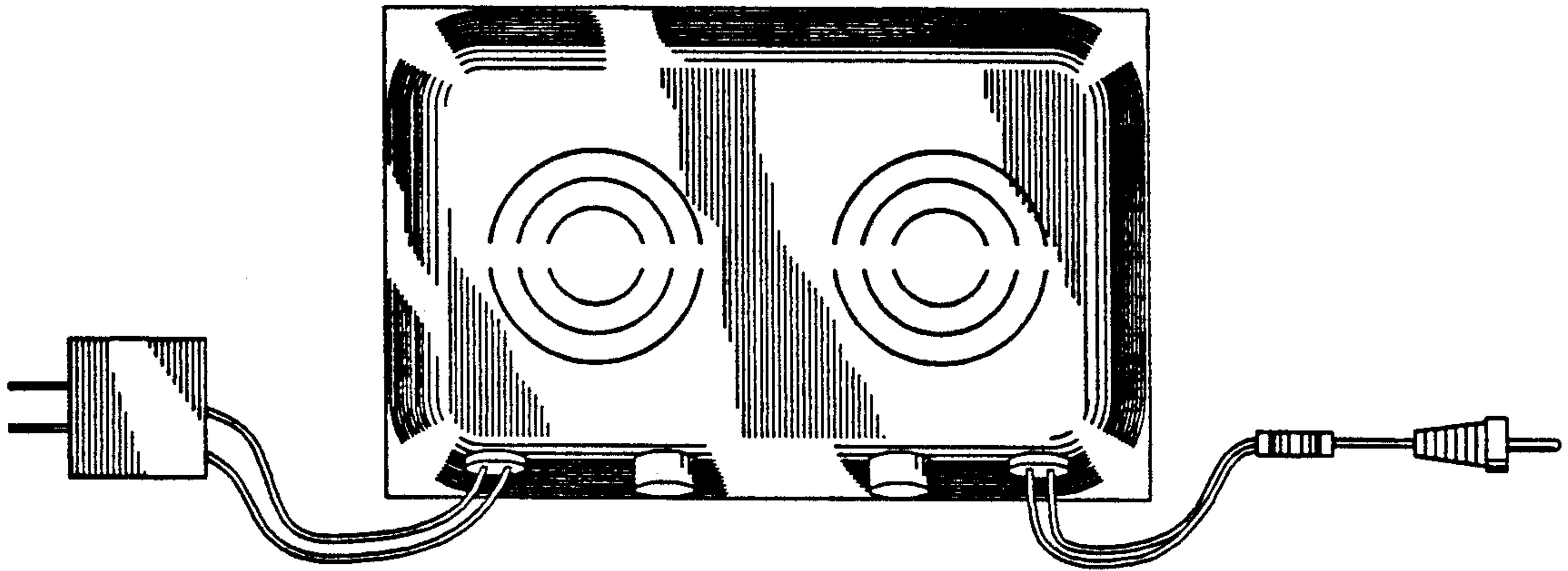


FIG. 6

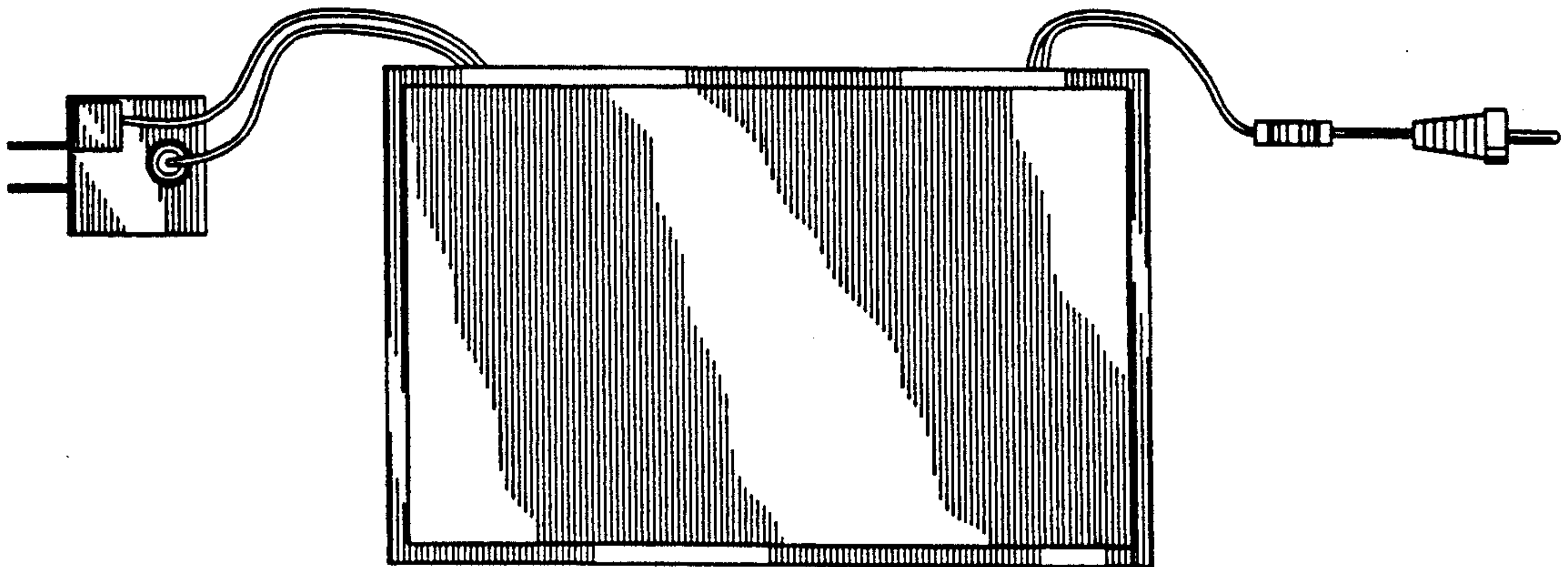




FIG. 7

