



US00D340241S

United States Patent [19]

[11] Patent Number: **Des. 340,241**

Nakamura

[45] Date of Patent: **** Oct. 12, 1993**

[54] **ELECTRICAL CONNECTING PLUG**

[75] Inventor: **Masahiko Nakamura, Yao, Japan**

[73] Assignee: **Hosiden Corporation, Yao, Japan**

[**] Term: **14 Years**

[21] Appl. No.: **864,020**

[22] Filed: **Apr. 6, 1992**

[30] **Foreign Application Priority Data**

Oct. 15, 1991 [JP] Japan 3-31248

[52] U.S. Cl. **D13/146**

[58] Field of Search **D13/147; 439/350, 352, 439/357, 358, 606, 609, 638, 678, 680, 682, 686, 687, 692, 723**

[56] **References Cited**

U.S. PATENT DOCUMENTS

D. 210,533	3/1968	Pauza	D13/147
D. 390,458	6/1987	O'Leary	D13/147
3,873,172	3/1975	Paullus	439/680 X
4,488,355	12/1984	Hutchins et al.	439/638 X
4,872,736	10/1989	Myers et al.	439/350 X

FOREIGN PATENT DOCUMENTS

0374732 3/1964 Switzerland 439/682

OTHER PUBLICATIONS

Connector drawing for controller of NES.

Primary Examiner—Wallace R. Burke

Assistant Examiner—Joel Sincavage

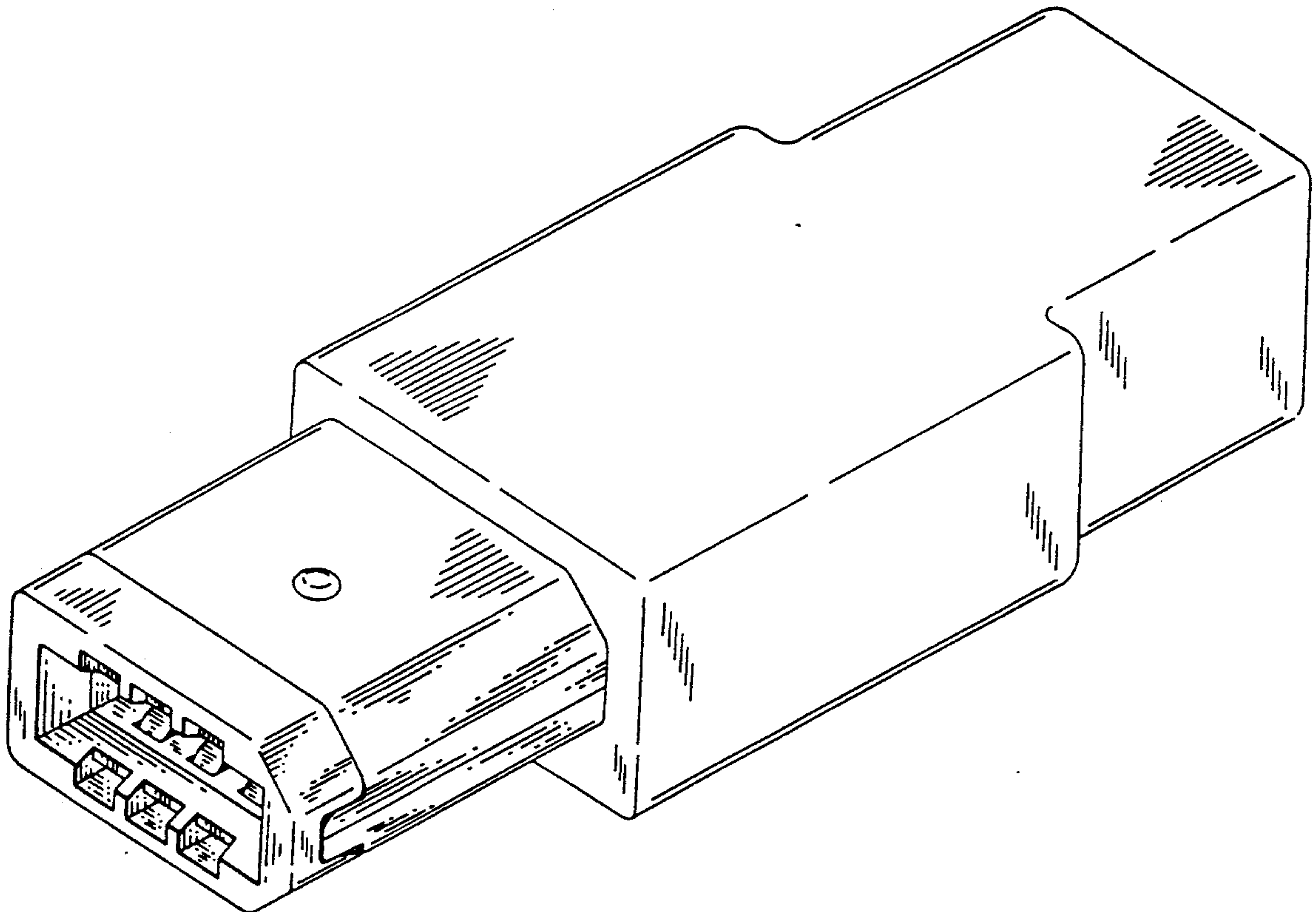
Attorney, Agent, or Firm—Jones, Tullar & Cooper

[57] **CLAIM**

The ornamental design for an electrical connecting plug, as shown and described.

DESCRIPTION

FIG. 1 is a front, top and right side perspective view of an electrical connecting plug showing my new design; FIG. 2 is a front elevational view thereof, the rear elevational view being a mirror image; FIG. 3 is a right side elevational view thereof; FIG. 4 is a left side elevational view thereof; FIG. 5 is a top plan view thereof; and, FIG. 6 is a bottom plan view thereof.



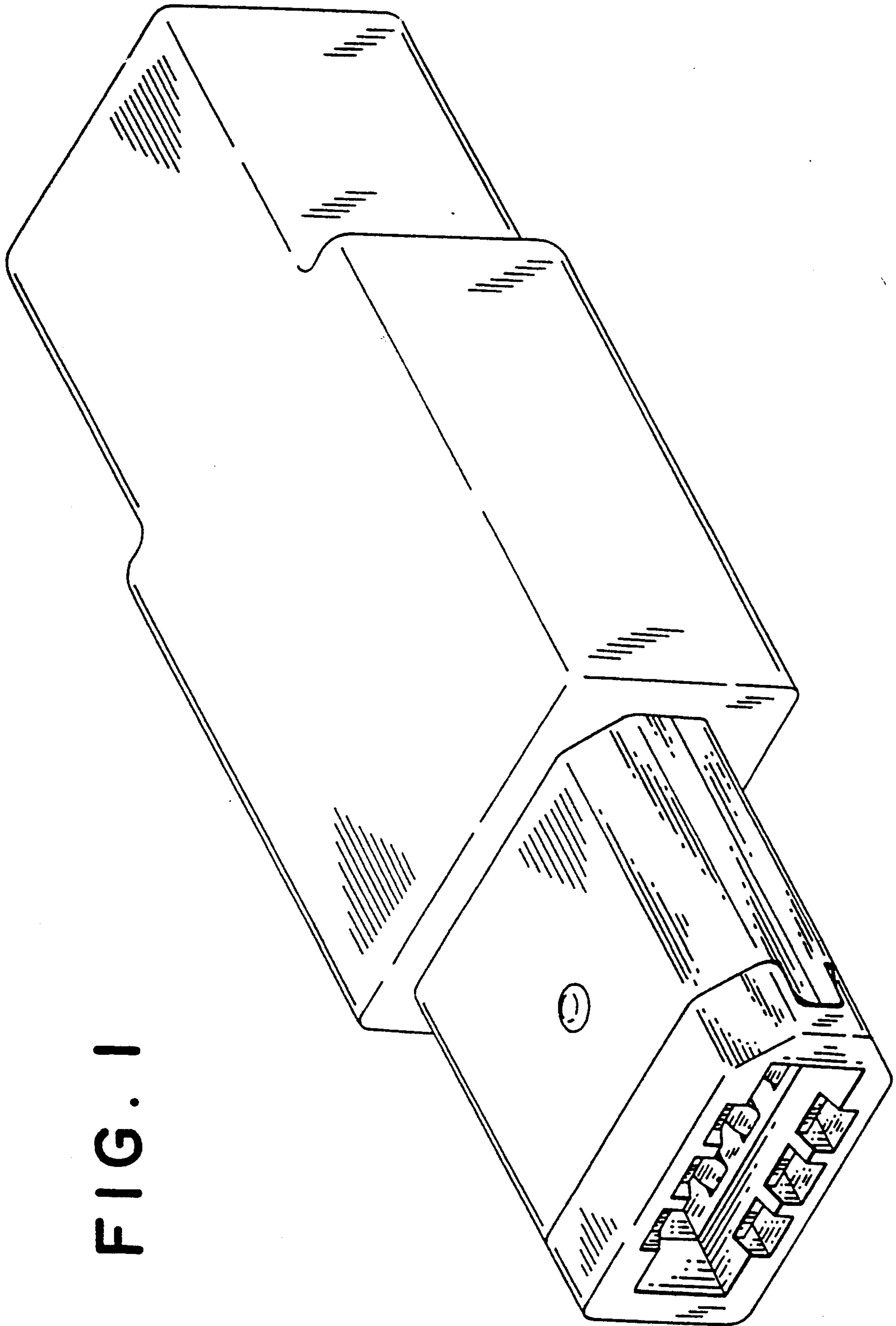


FIG. 1

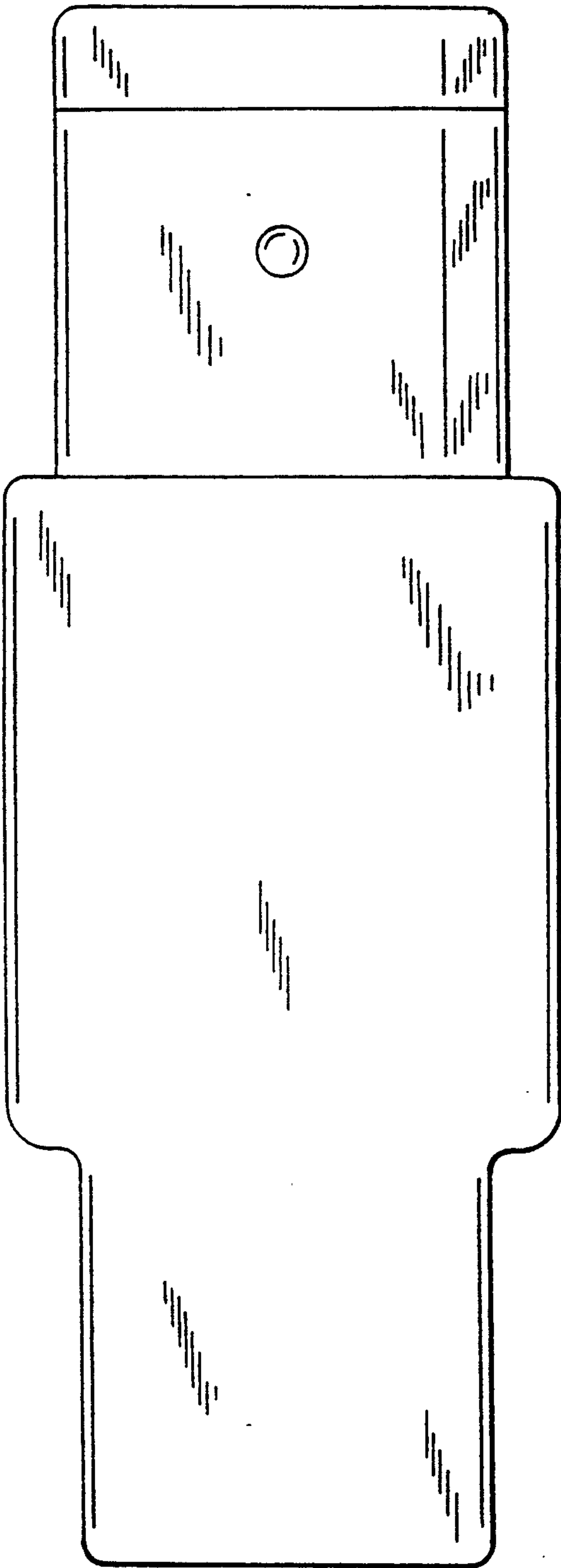


FIG. 2

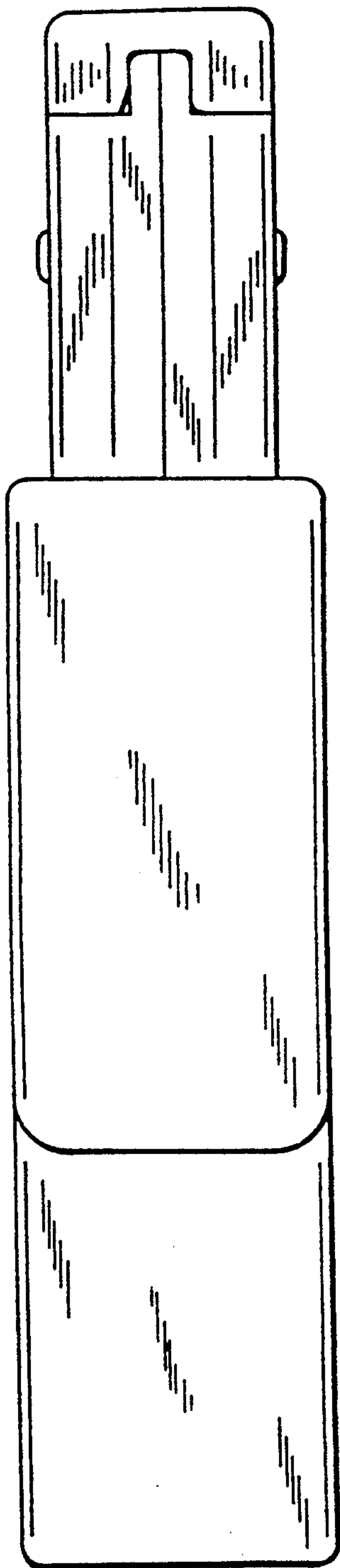


FIG. 3

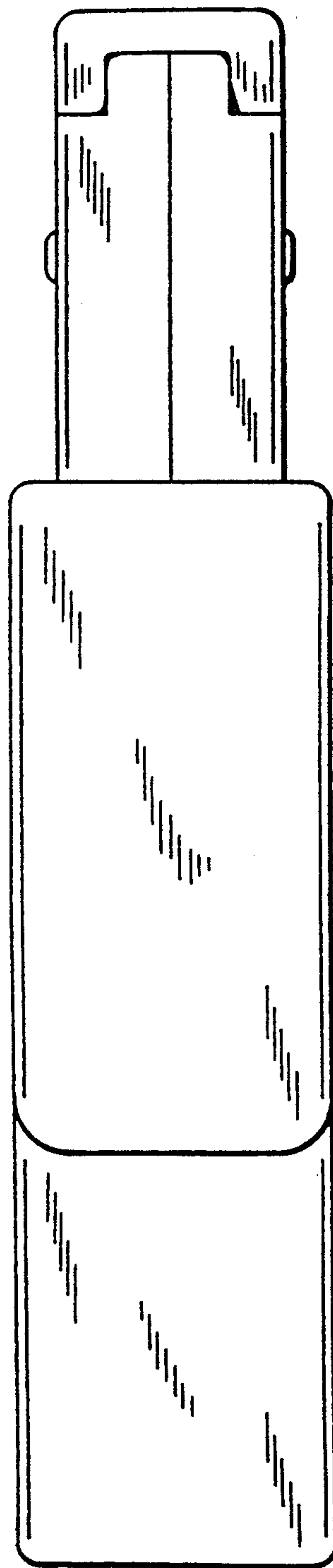


FIG. 4

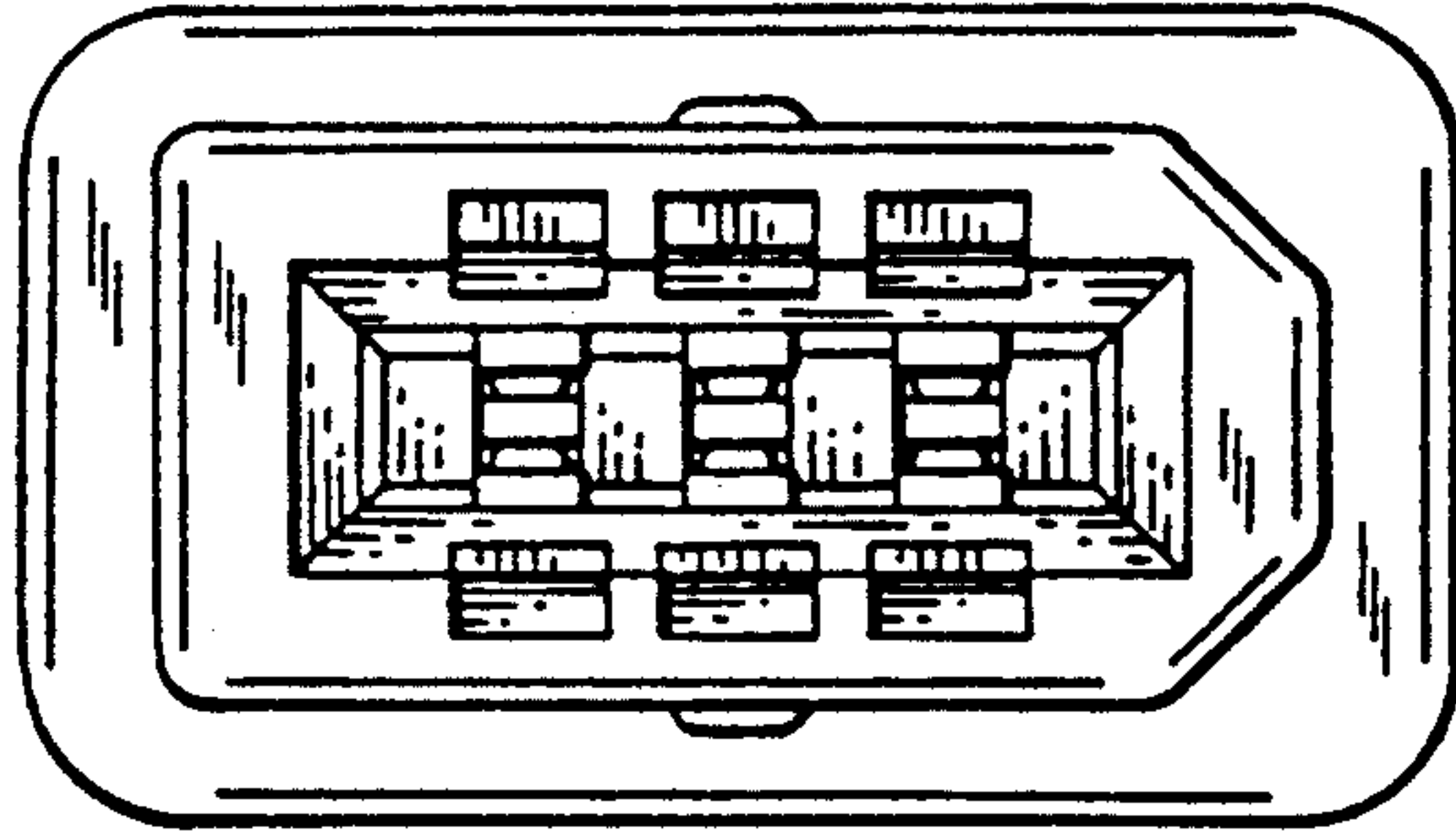


FIG. 5

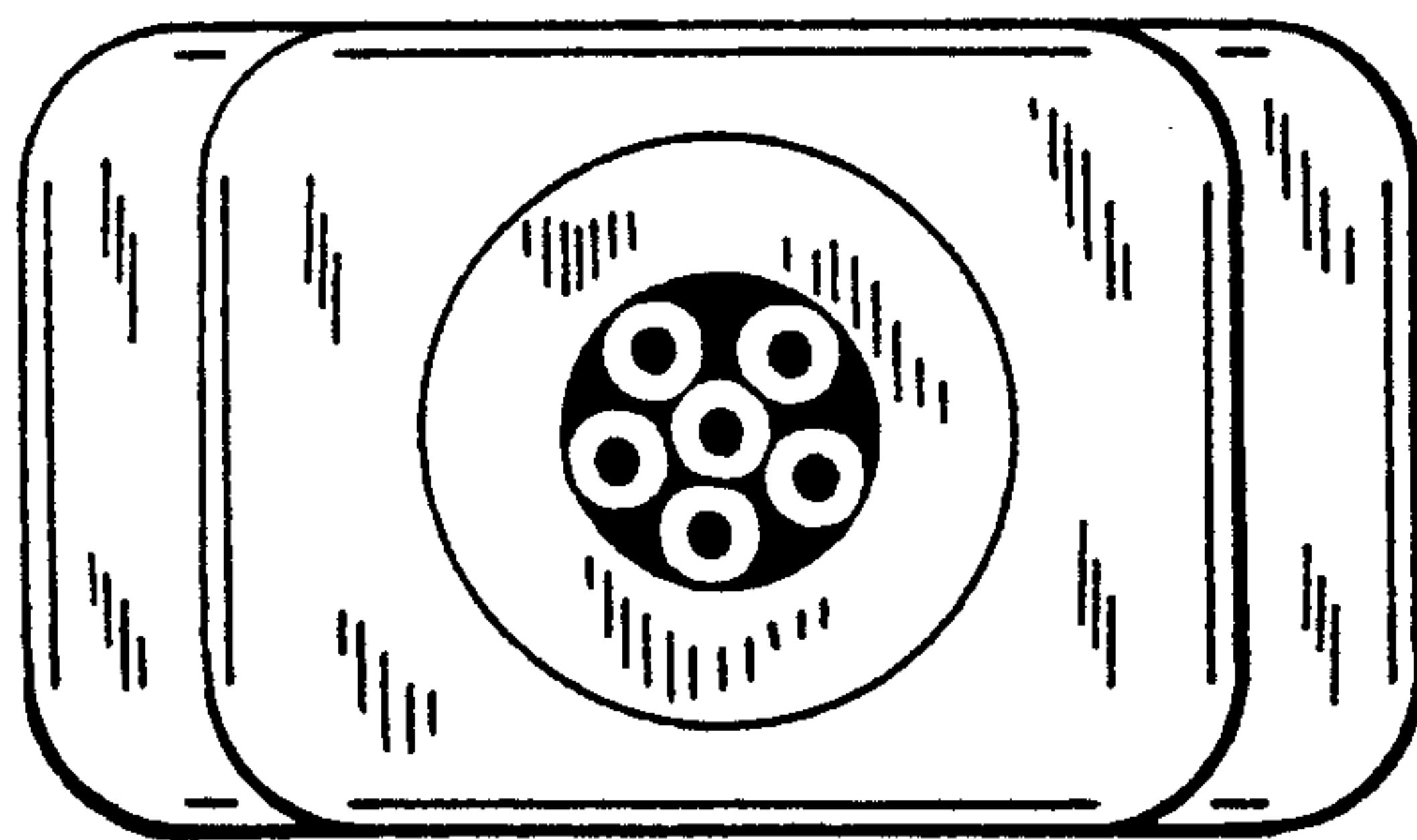


FIG. 6