



US00D340240S

United States Patent [19]

[11] Patent Number: **Des. 340,240**

Dow et al.

[45] Date of Patent: **** Oct. 12, 1993**

[54] **RETRACTABLE DRAWER-TYPE FACSIMILE MACHINE MODULE**

[75] Inventors: **James C. Dow; Modest Khovaylo**, both of Fort Collins, Colo.

[73] Assignee: **Hewlett-Packard Company**, Palo Alto, Calif.

[**] Term: **14 Years**

[21] Appl. No.: **653,449**

[22] Filed: **Feb. 5, 1991**

[52] U.S. Cl. **D14/118**

[58] Field of Search **D14/118, 124, 299; D18/36, 37, 38, 40, 44, 56, 59; 358/400, 401**

[56] **References Cited**

U.S. PATENT DOCUMENTS

D. 287,678	1/1987	Hatcher	D18/59
D. 304,184	10/1989	Watanabe	D14/118
D. 315,338	3/1991	Yoshihara	D14/118
D. 323,160	1/1992	Udagawa	D14/118
D. 329,643	9/1992	Hiroki	D14/118

Primary Examiner—Theodore M. Shooman

[57] **CLAIM**

The ornamental design for a retractable drawer-type facsimile machine module, as shown and described.

DESCRIPTION

FIG. 1 is a perspective view of a retractable drawer-

type facsimile machine module showing our new design in a drawer-closed position;

FIG. 2 is a top plan view thereof in a drawer-closed position;

FIG. 3 is a right side elevational view thereof in a drawer-closed position, the left side elevational view being a mirror image;

FIG. 4 is a bottom plan view thereof in a drawer-closed position;

FIG. 5 is a front elevational view thereof in a drawer-closed position;

FIG. 6 is a rear elevational view thereof in a drawer-closed position, the rear elevational view in a drawer-open position being identical;

FIG. 7 is a perspective view thereof in a drawer-open position and in a typical operating environment with a laser printer mounted thereon;

FIG. 8 is a perspective view thereof in a drawer-open position;

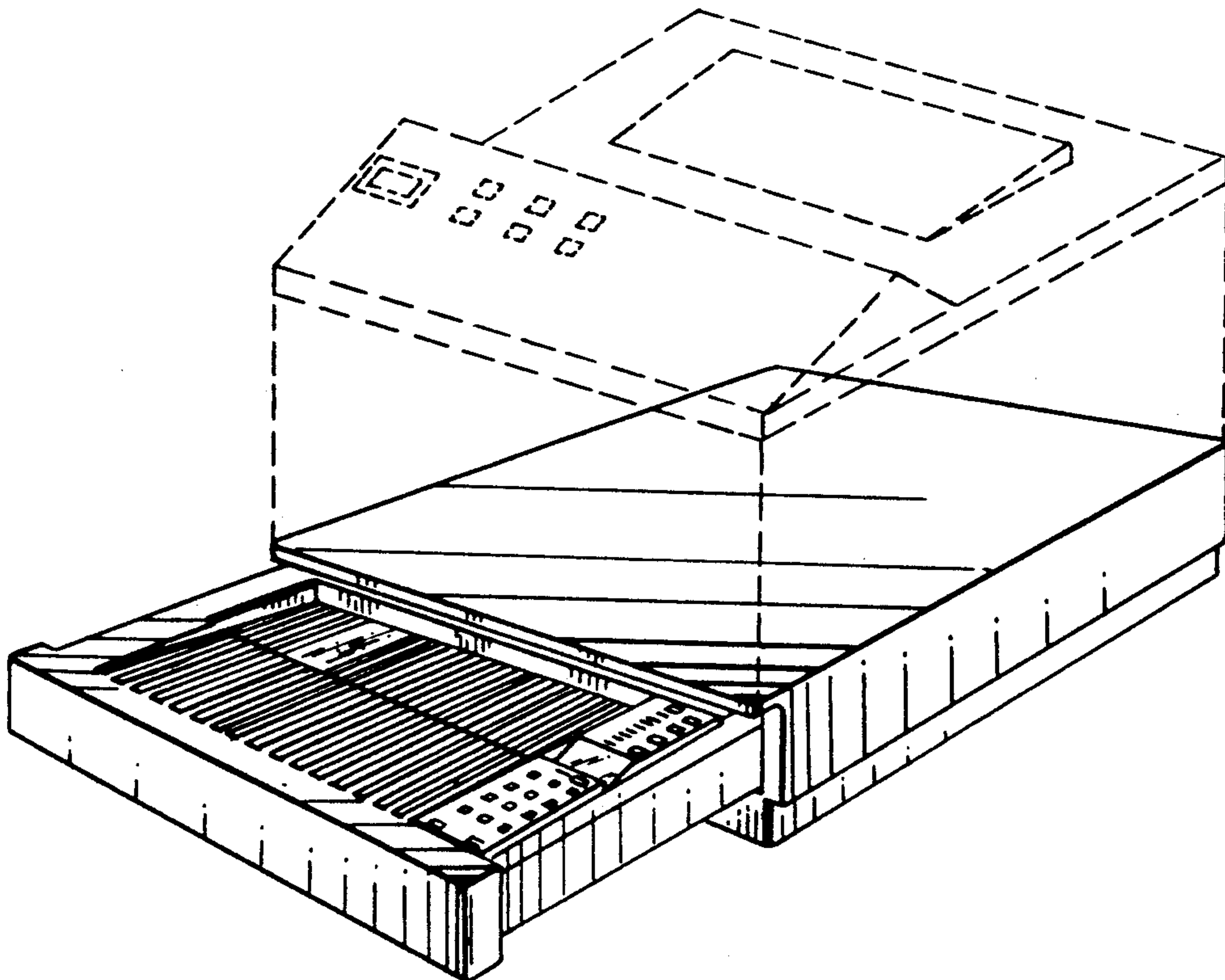
FIG. 9 is a front elevational view thereof in a drawer-open position;

FIG. 10 is a top plan view thereof in a drawer-open position;

FIG. 11 is a bottom plan view thereof in a drawer-open position; and,

FIG. 12 is a right side elevational view thereof in a drawer-open position, the left side elevational view being a mirror image.

The broken line showing of the laser printer in FIG. 7 is for illustrative purposes only and forms no part of the claimed design.



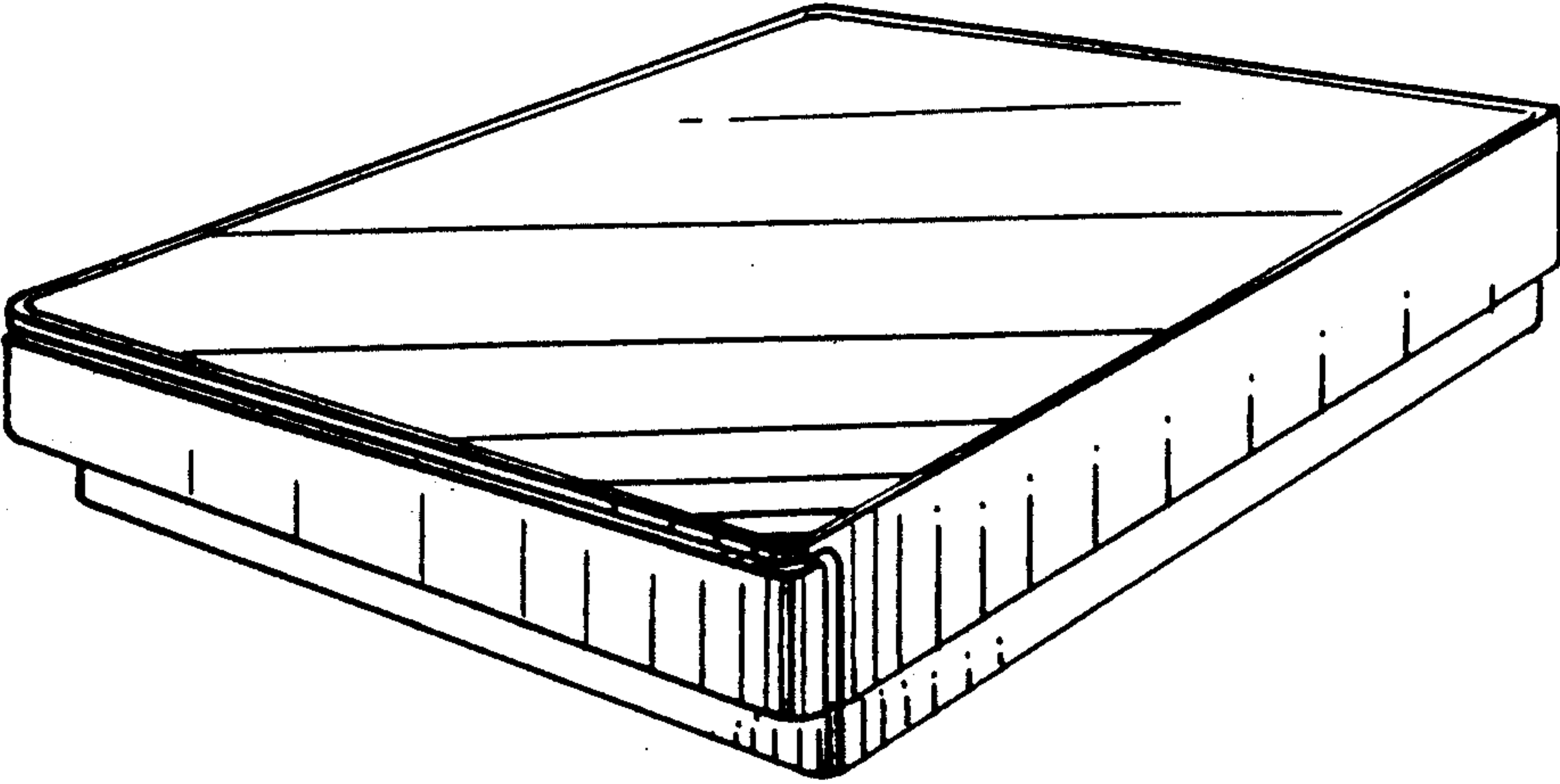


FIG. 1

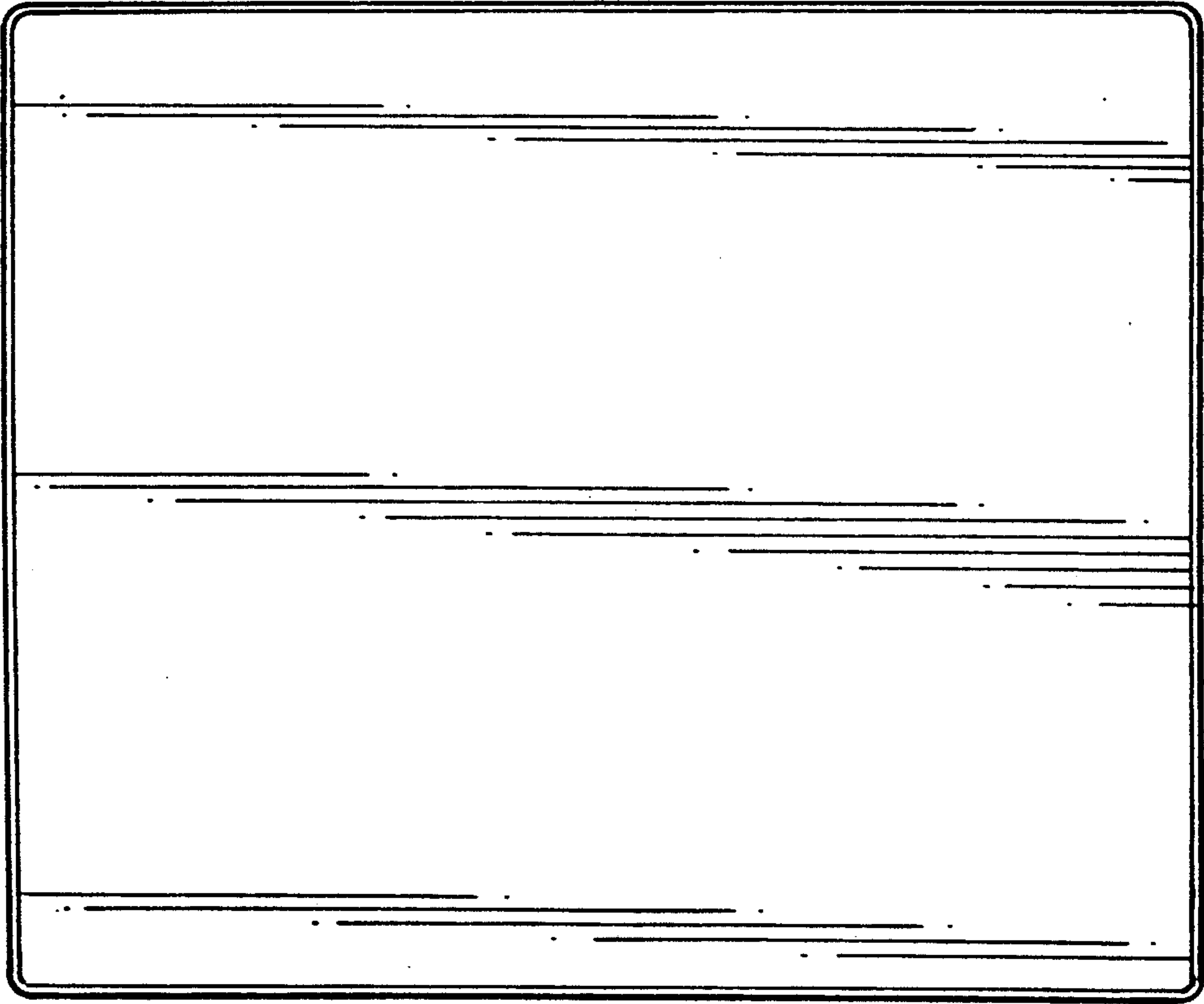


FIG. 2



FIG. 3

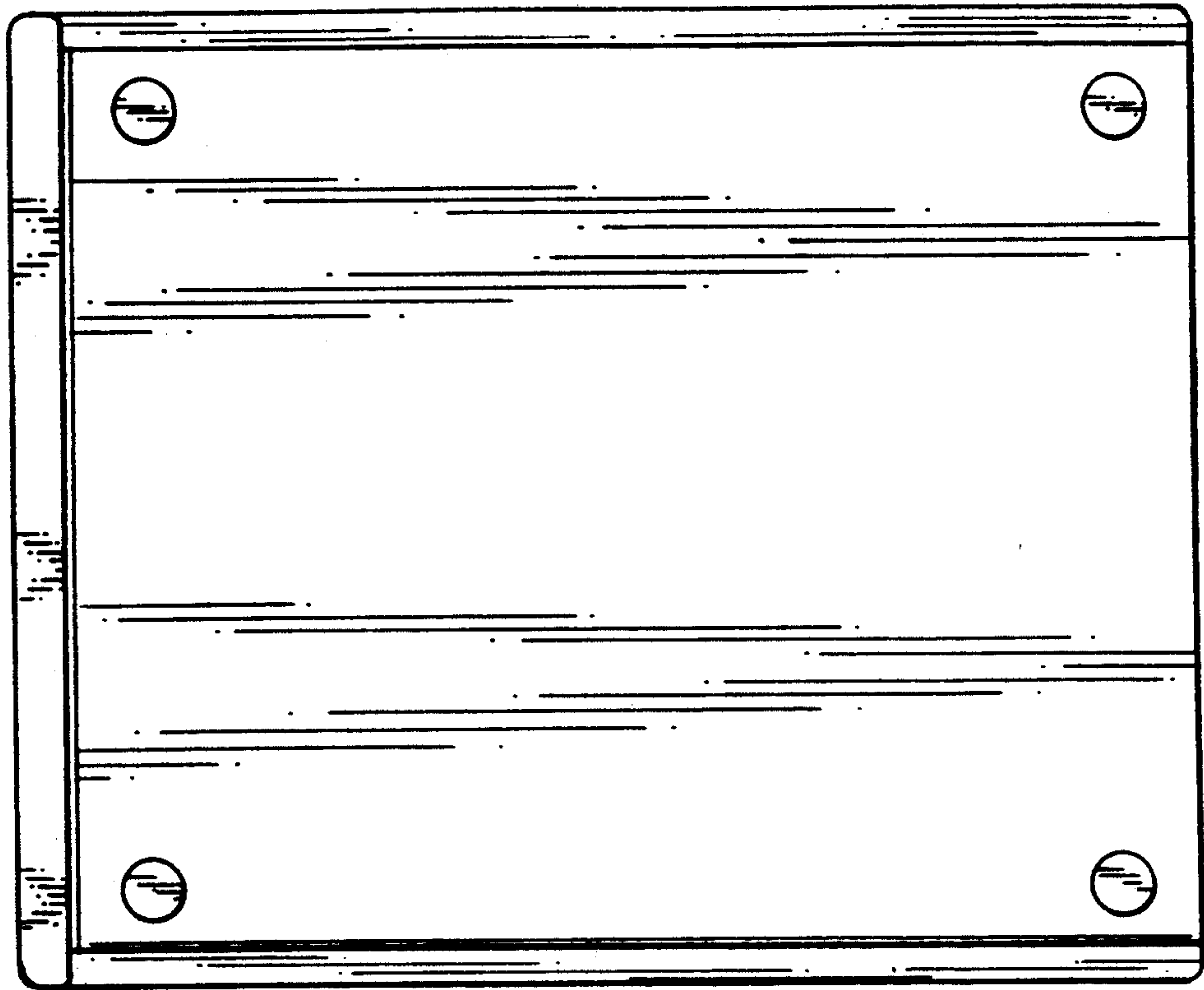


FIG. 4

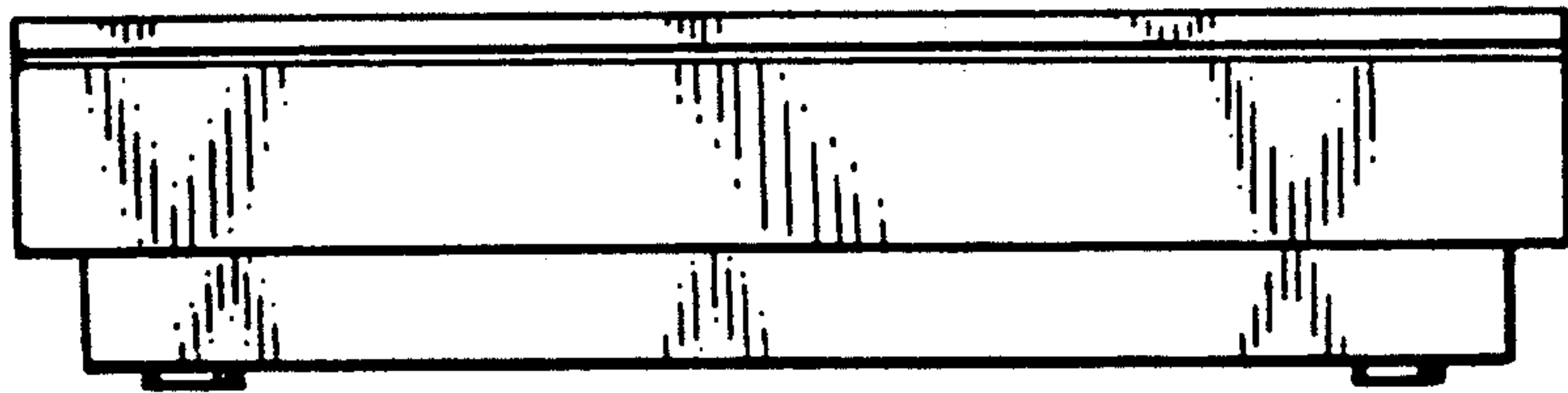


FIG. 5



FIG. 6

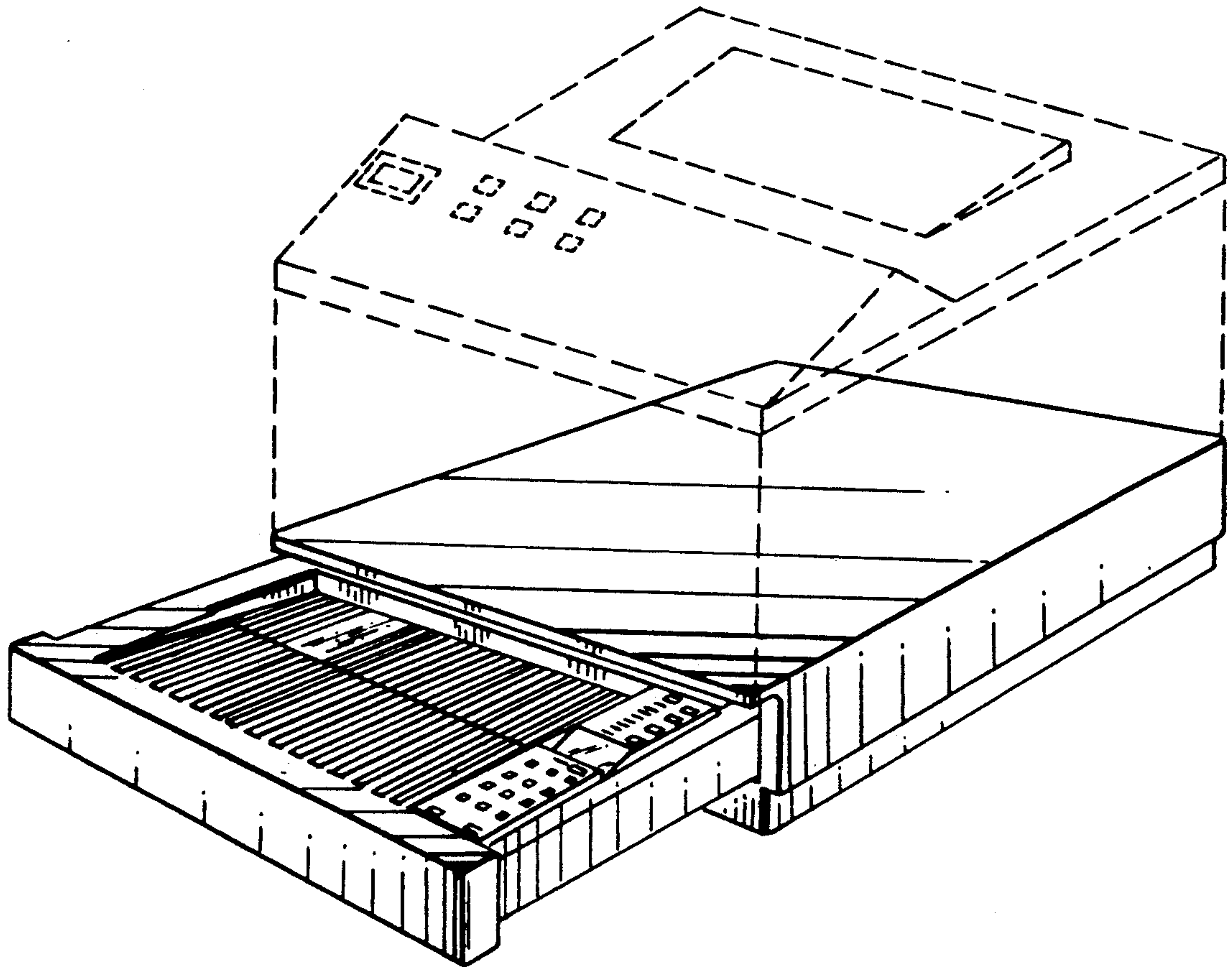


FIG. 7

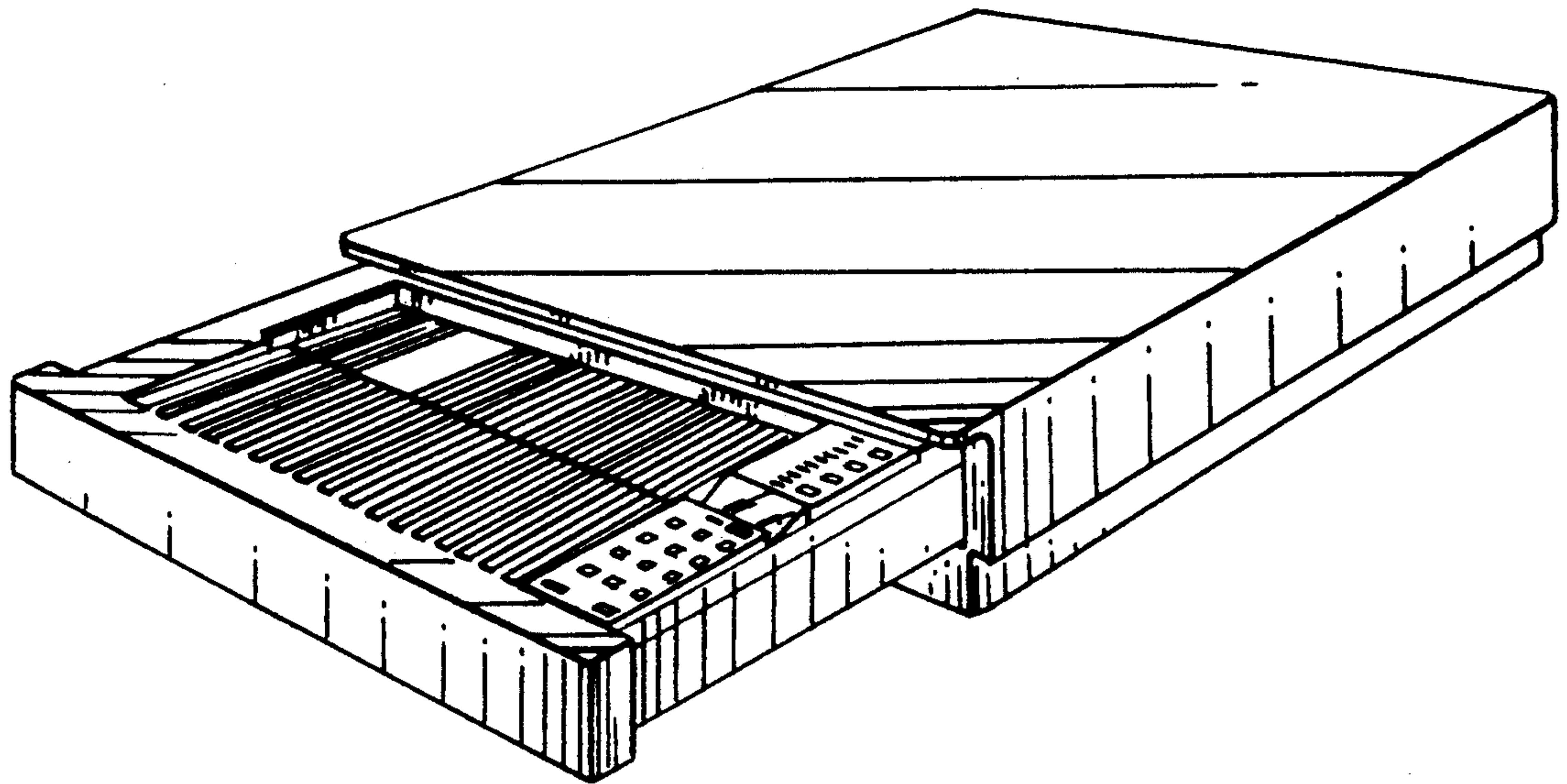


FIG. 8

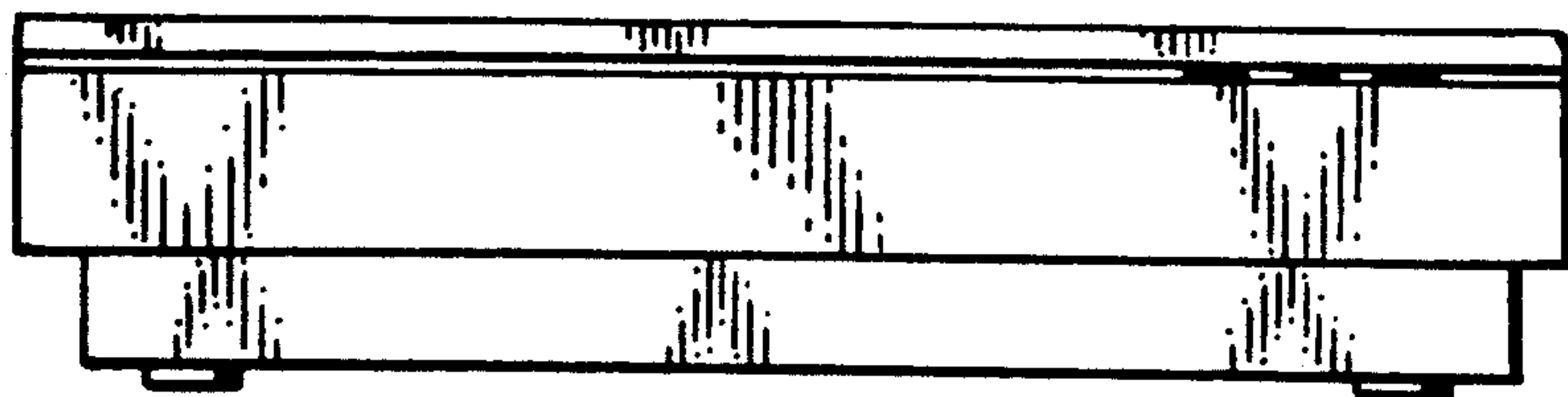


FIG. 9

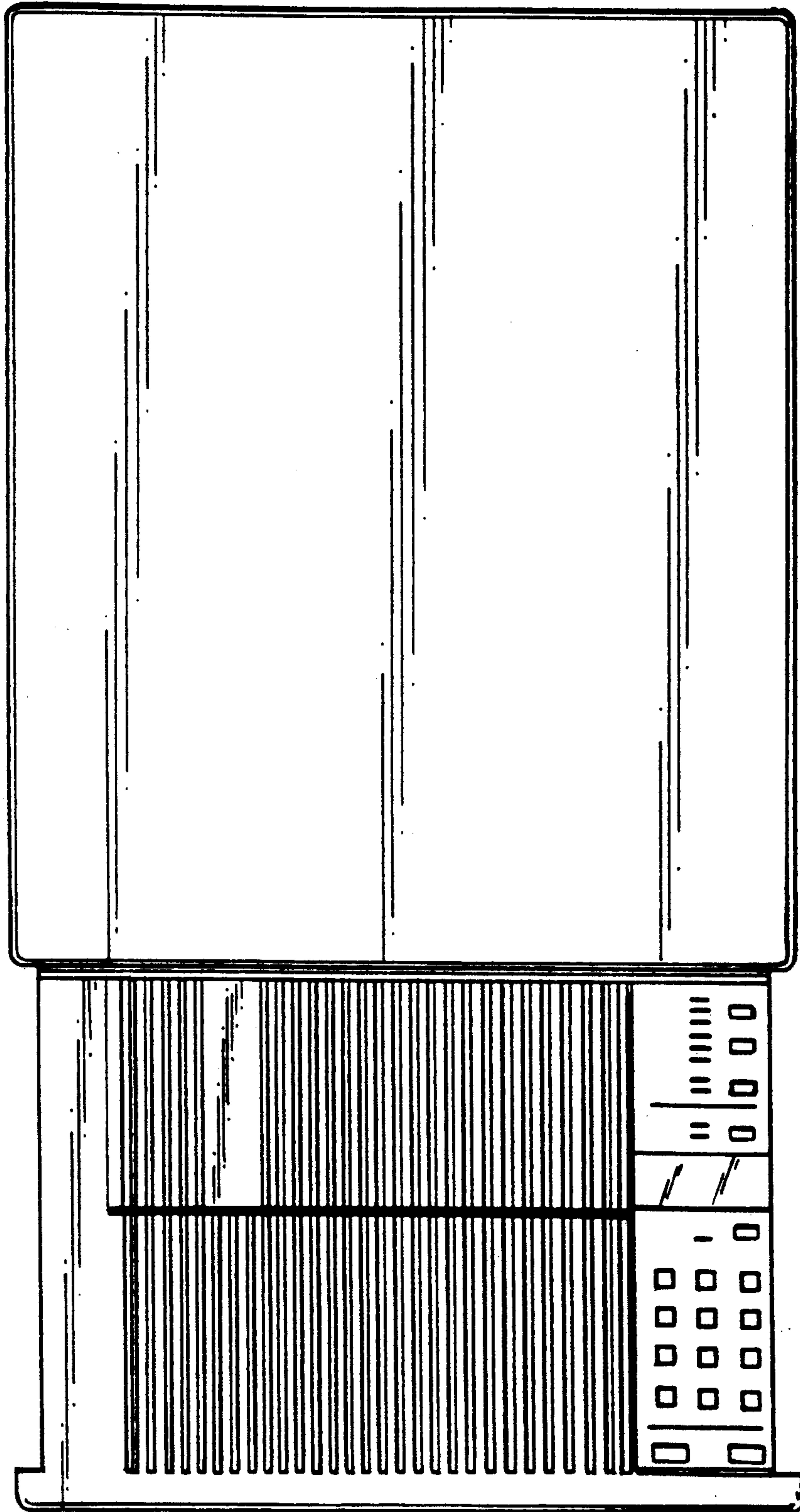


FIG. 10

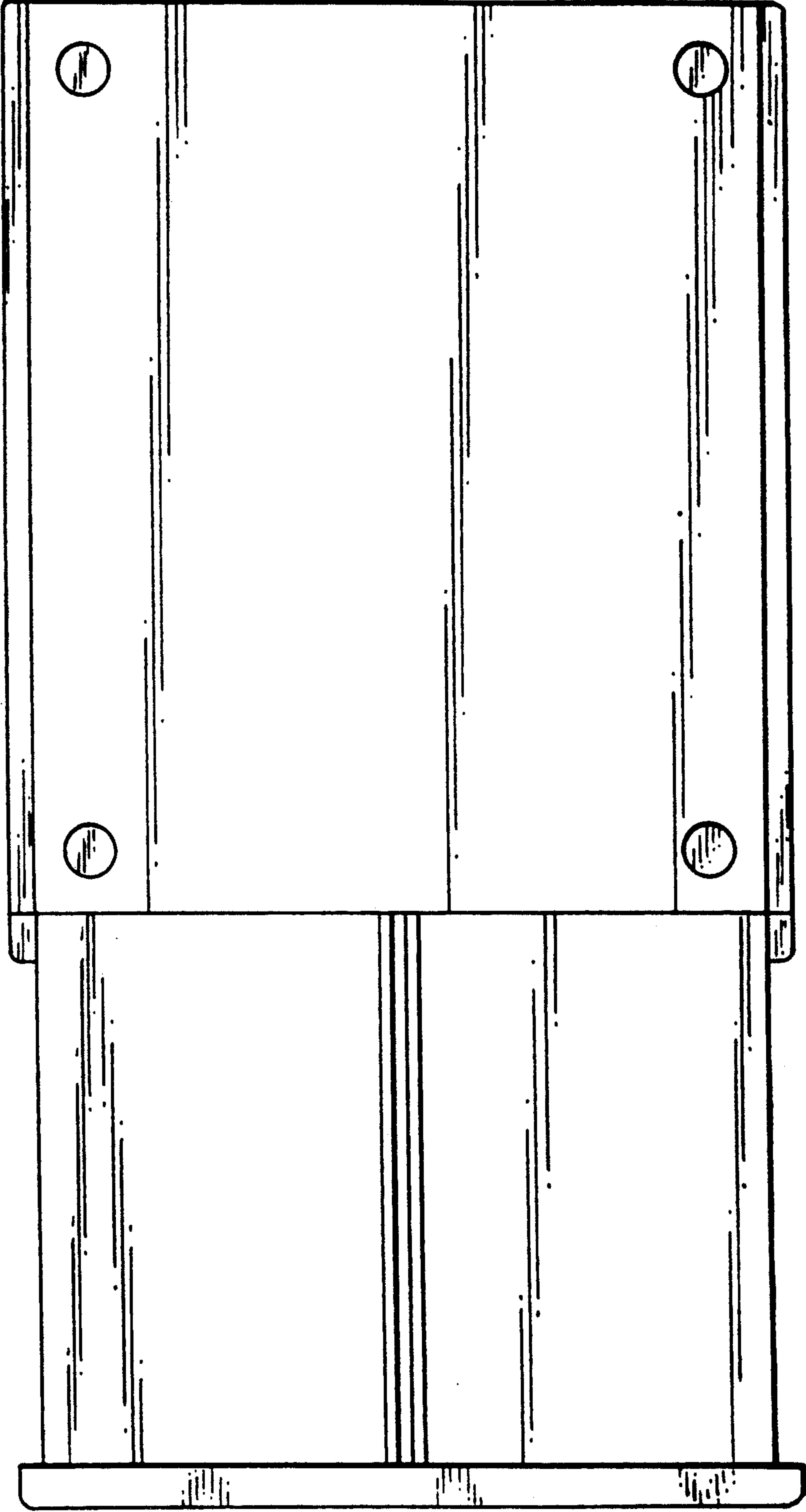


FIG. 11



FIG. 12