



US00D340233S

United States Patent [19]

[11] Patent Number: **Des. 340,233**

Takahashi

[45] Date of Patent: **** Oct. 12, 1993**

[54] **IMAGE SCANNER**

[75] Inventor: **Hiromitsu Takahashi, Nagano, Japan**

[73] Assignee: **Seiko Epson Corporation, Tokyo, Japan**

[**] Term: **14 Years**

[21] Appl. No.: **815,230**

[22] Filed: **Dec. 31, 1991**

[30] **Foreign Application Priority Data**

Jul. 12, 1991 [JP] Japan 3-21027

[52] U.S. Cl. **D14/107**

[58] Field of Search **D14/107; D18/36; 235/377, 379, 483; 250/566, 568; 355/231, 233, 308; 358/488, 497**

[56] **References Cited**

U.S. PATENT DOCUMENTS

D. 293,794 1/1988 Nakade D14/107

D. 295,520	5/1988	Ooie	D14/107
D. 303,660	9/1989	Yamagiwa et al.	D14/107
D. 318,654	7/1991	Huang	D14/107
D. 326,448	5/1992	Fukuda	D14/107
D. 328,290	7/1992	Tanaka	D14/107

Primary Examiner—Wallace R. Burke
Assistant Examiner—Freda S. Nunn
Attorney, Agent, or Firm—Blum Kaplan

[57] **CLAIM**

The ornamental design for an image scanner, as shown and described.

DESCRIPTION

FIG. 1 is a perspective view of the image scanner in accordance with my new design;
FIG. 2 is a top plan view thereof;
FIG. 3 is a front elevational view thereof;
FIG. 4 is a left side view thereof;
FIG. 5 is a rear elevational view thereof;
FIG. 6 is a right side view thereof; and,
FIG. 7 is a bottom plan view thereof.

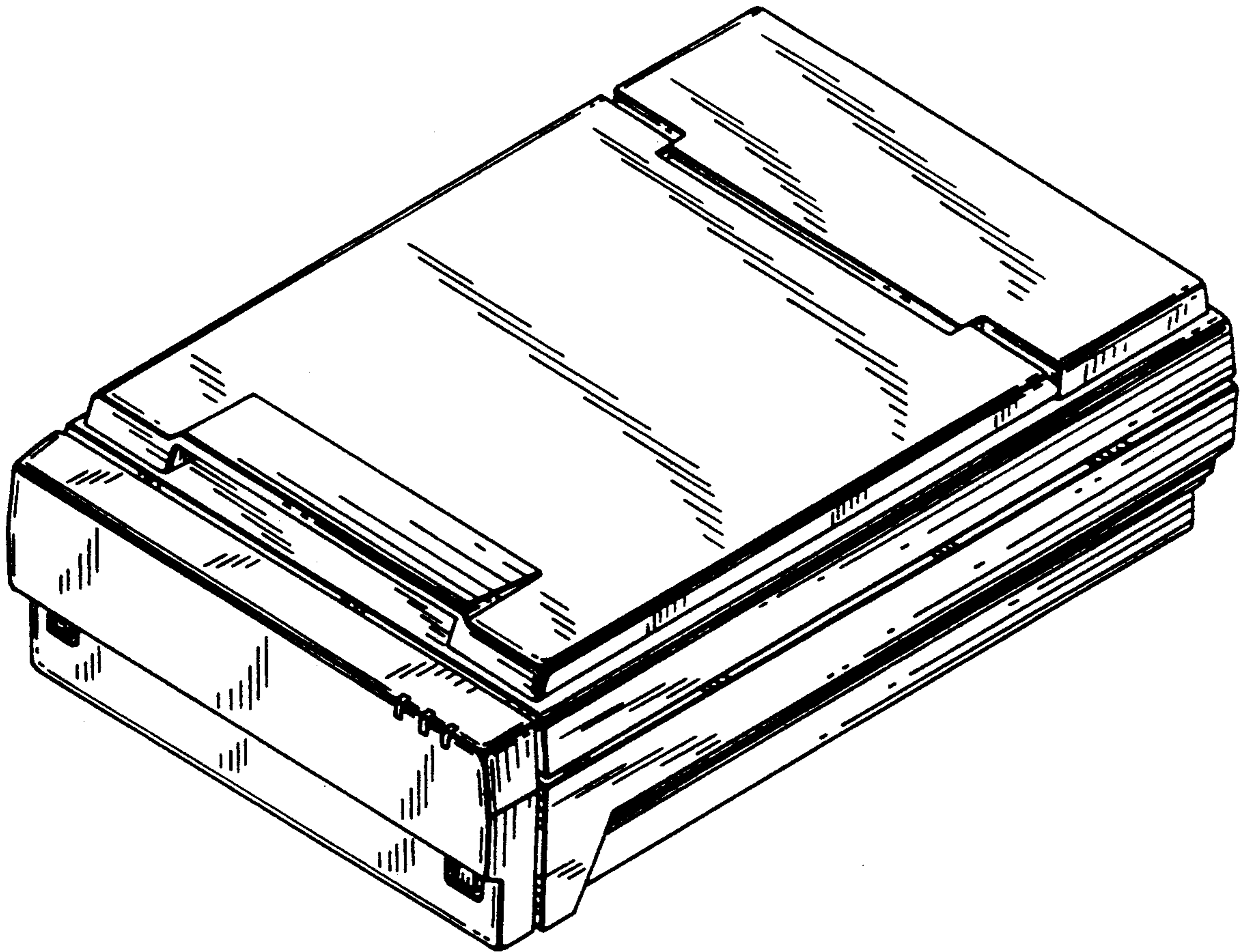


FIG. 1

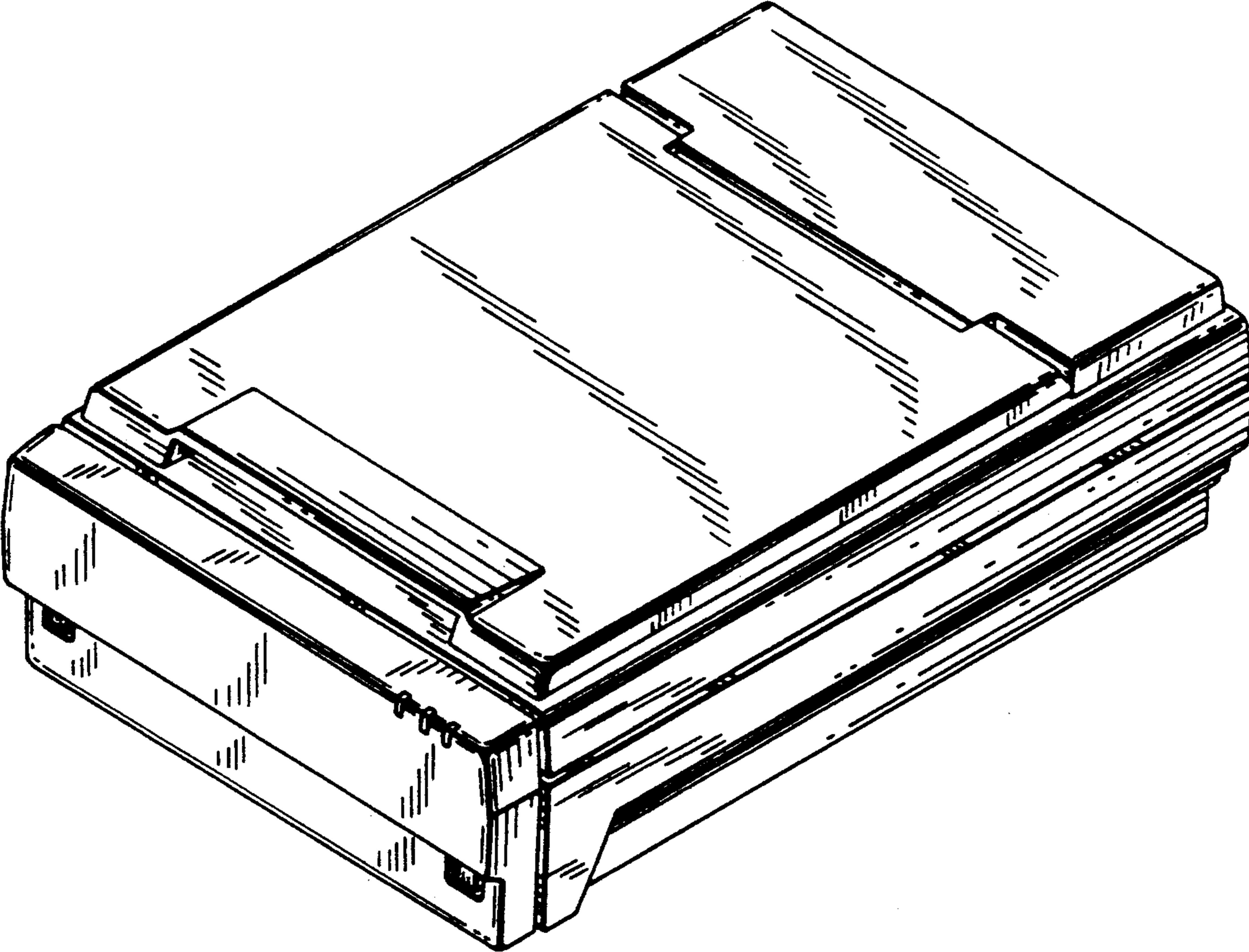


FIG. 2

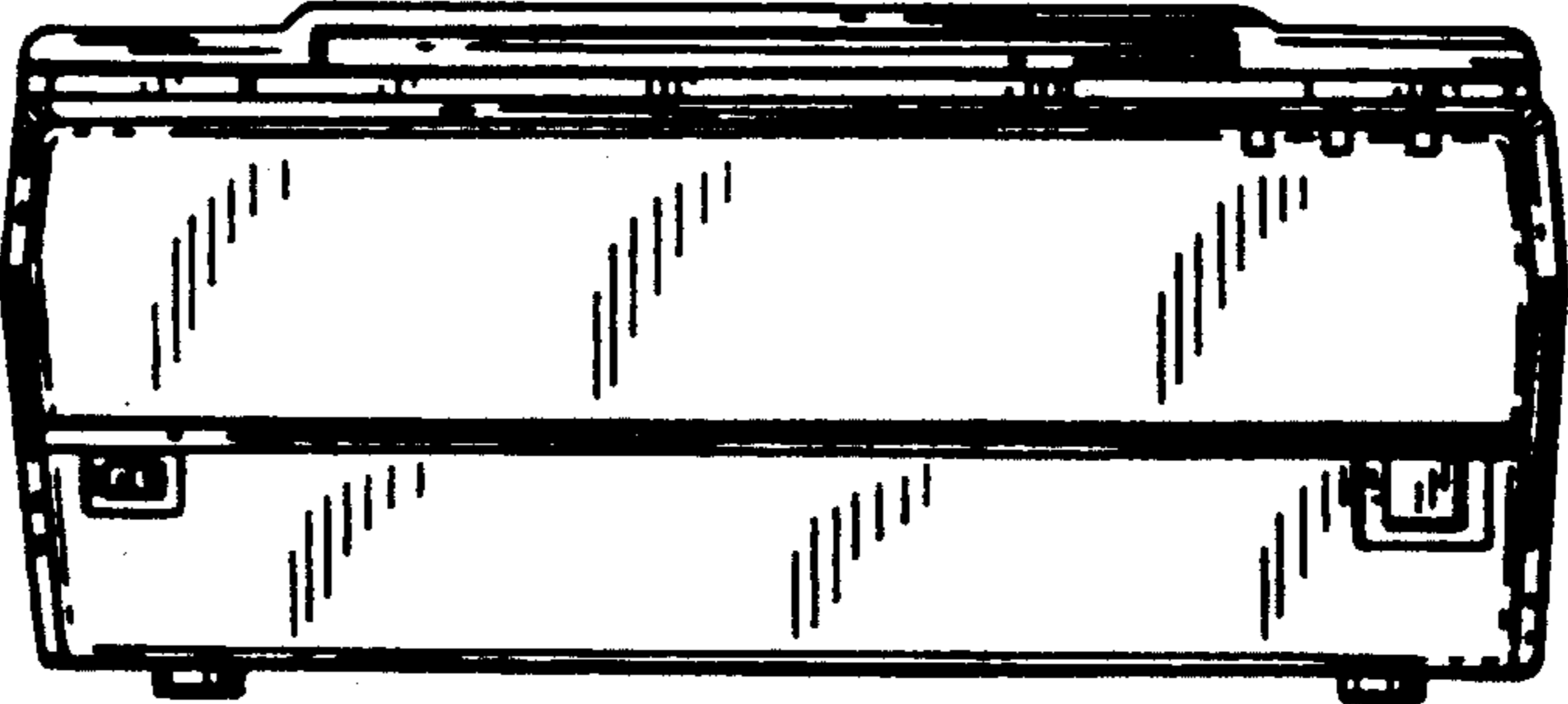
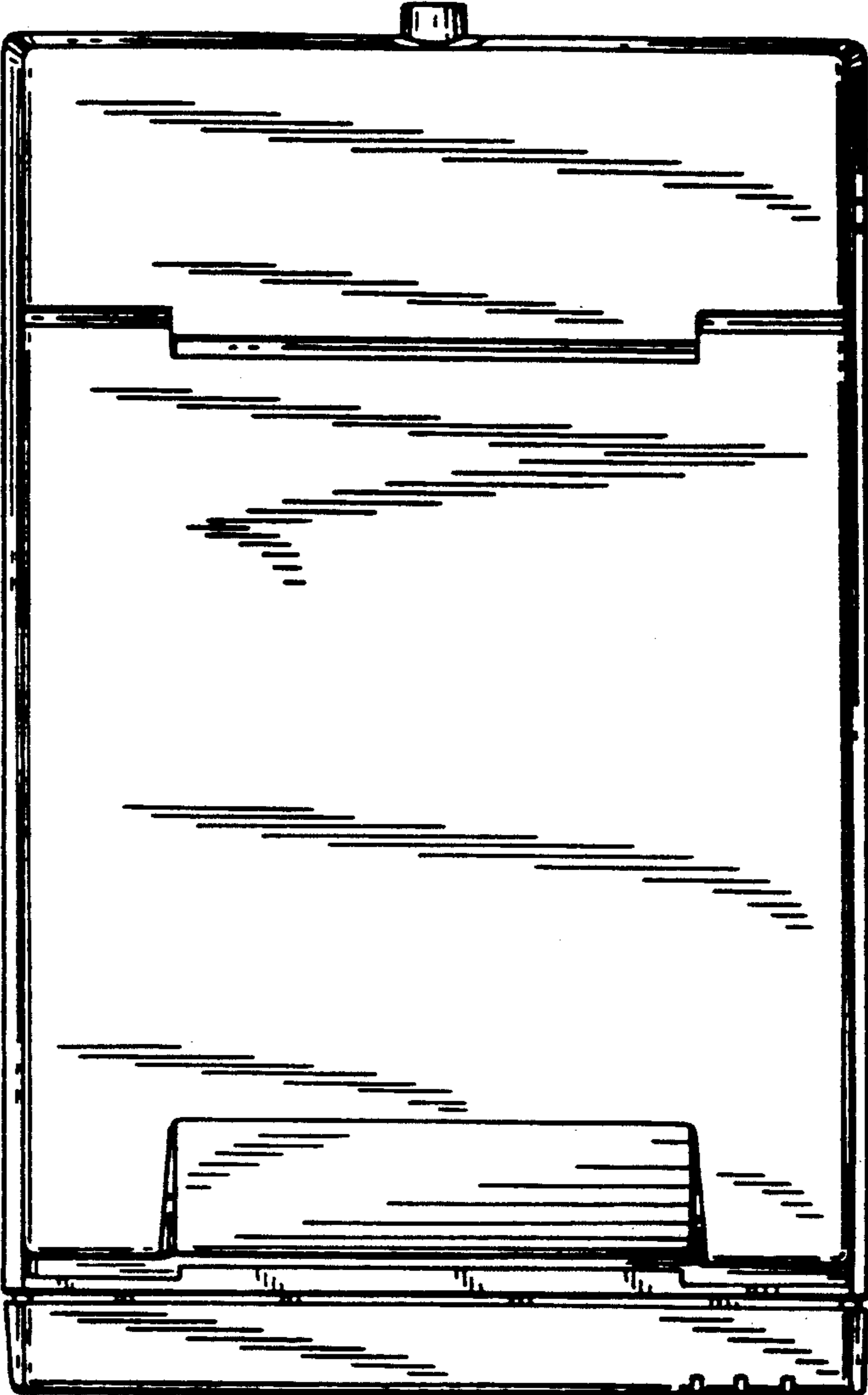


FIG. 3

FIG. 4

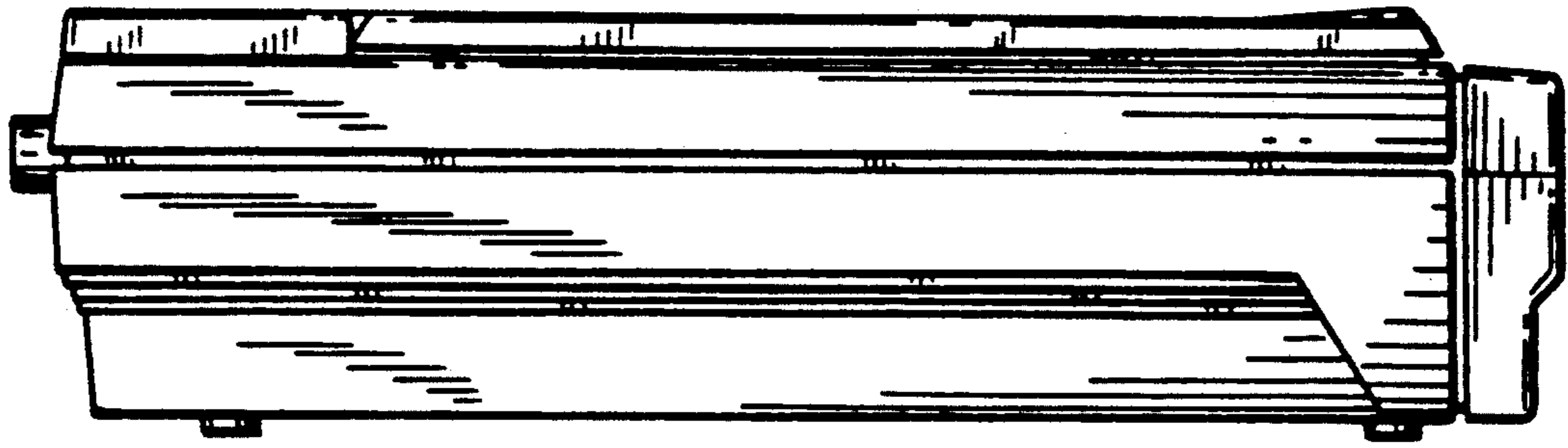


FIG. 5

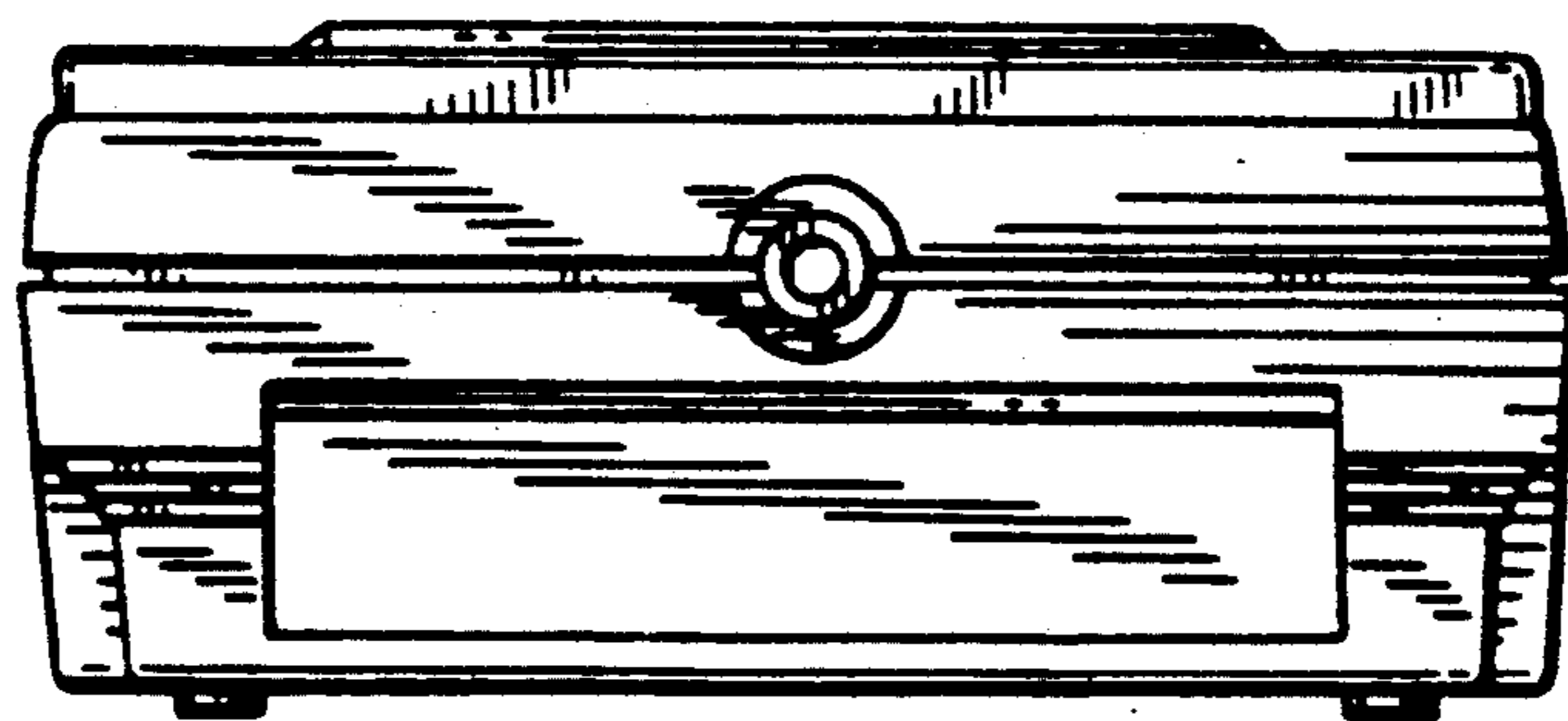


FIG. 6

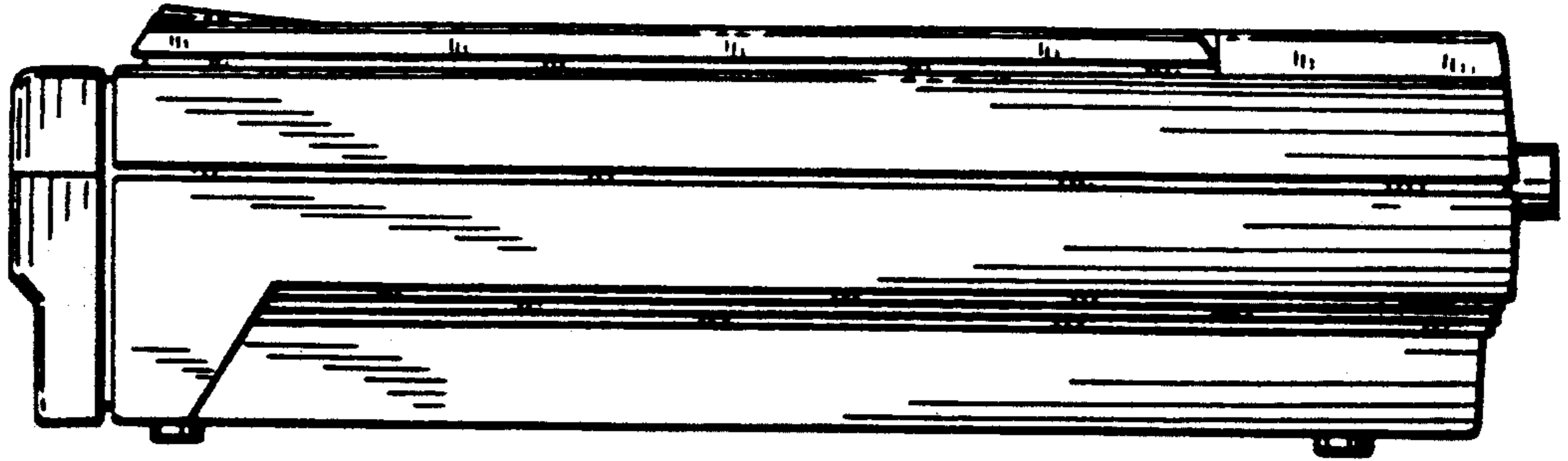


FIG. 7

