



US00D340232S

United States Patent [19]

[11] Patent Number: Des. 340,232

Yoshida

[45] Date of Patent: ** Oct. 12, 1993

[54] IMAGE SCANNER

[75] Inventor: Kazuo Yoshida, Tokyo, Japan

[73] Assignee: Oki Electric Industry Co., Ltd., Tokyo, Japan

[**] Term: 14 Years

[21] Appl. No.: 795,024

[22] Filed: Nov. 20, 1991

[30] Foreign Application Priority Data

Jul. 19, 1991 [JP] Japan 3-21456
 [52] U.S. Cl. D14/107
 [58] Field of Search D14/105, 107, 116;
 D18/36; 235/377, 379; 250/566, 568; 355/231,
 233, 308; 358/488, 497

[56] References Cited

U.S. PATENT DOCUMENTS

D. 295,416 4/1988 Glaberson D14/116
 D. 302,812 8/1989 Hiroki D14/107
 D. 309,730 8/1990 Makidera D14/105
 4,550,250 10/1985 Mueller et al. D14/116 X

FOREIGN PATENT DOCUMENTS

56923 9/1986 Canada .
 58904 6/1987 Canada .
 60203 2/1988 Canada .
 62273 1/1989 Canada .
 787117 2/1990 Japan .
 787194 2/1990 Japan .
 788117 2/1990 Japan .
 788133 2/1990 Japan .
 788282 2/1990 Japan .

OTHER PUBLICATIONS

Desktop Catalog Spring 1988, p. 16 The Cauzin Soft-strip Reader—Group 290.
 Catalogue "GT-400" Publisher: Seico Epson Co., Ltd. (Japan) undated.
 Catalogue "GT-100V" Publisher: Seico Epson Co. Ltd. (Japan) undated.
 Catalogue "HS60F-H" HS10R11 Publisher: Omron Co., Ltd. (Japan) undated.
 Catalogue "Mitsubishi Image Scanner Series" Publisher: Mitsubishi Electric Co., Ltd. (Japan) undated.

Primary Examiner—Wallace R. Burke
 Assistant Examiner—Freda S. Nunn
 Attorney, Agent, or Firm—Wenderoth, Lind & Ponack

[57] CLAIM

The ornamental design for an image scanner, as shown and described.

DESCRIPTION

FIG. 1 is a right side top and front perspective view of an image scanner showing my new design;
 FIG. 2 is a front elevational view thereof;
 FIG. 3 is a rear elevational view thereof;
 FIG. 4 is a top plan view thereof;
 FIG. 5 is a bottom plan view thereof;
 FIG. 6 is a left side elevational view thereof;
 FIG. 7 is a right side elevational view thereof;
 FIG. 8 is a sectional view taken on line VIII—VIII in FIG. 4; and,
 FIG. 9 is a perspective view thereof shown in a working state the broken lines being shown for illustrative purposes only and form no part of the claimed design.

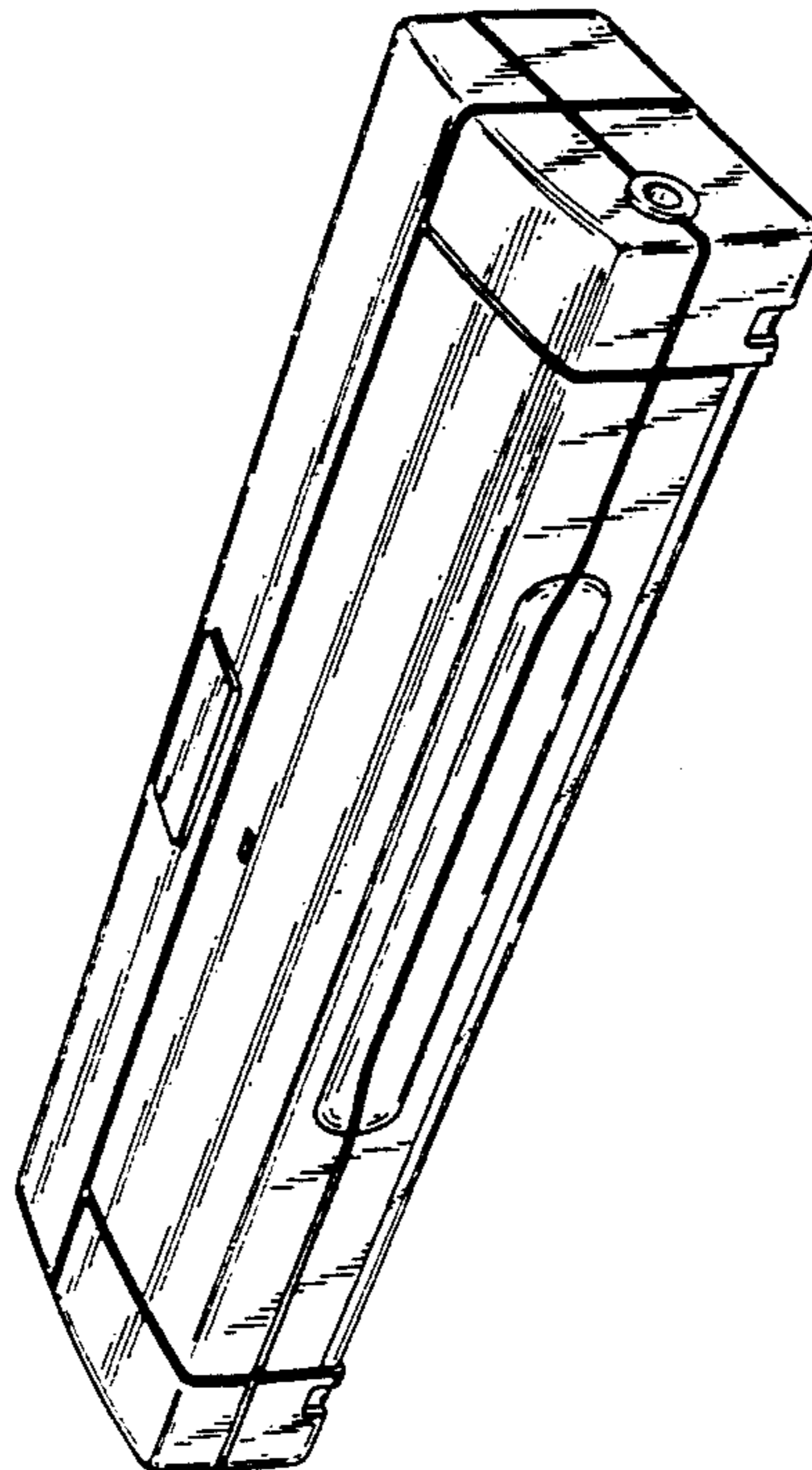


Fig. 1

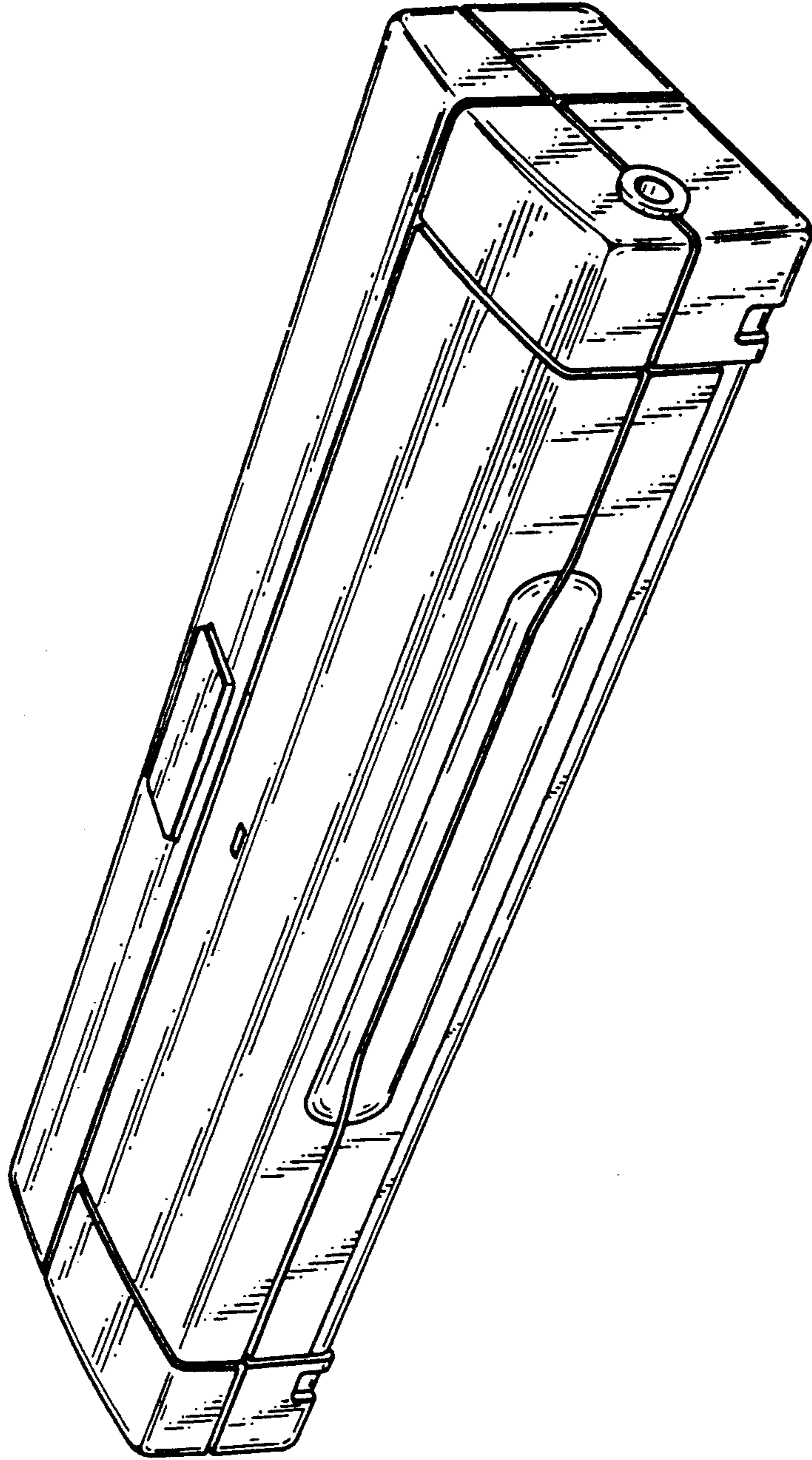


Fig. 2



Fig. 3

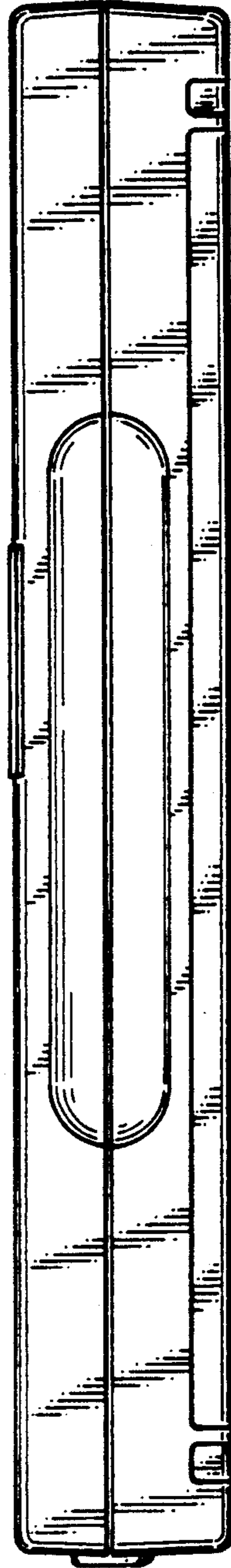


Fig. 4

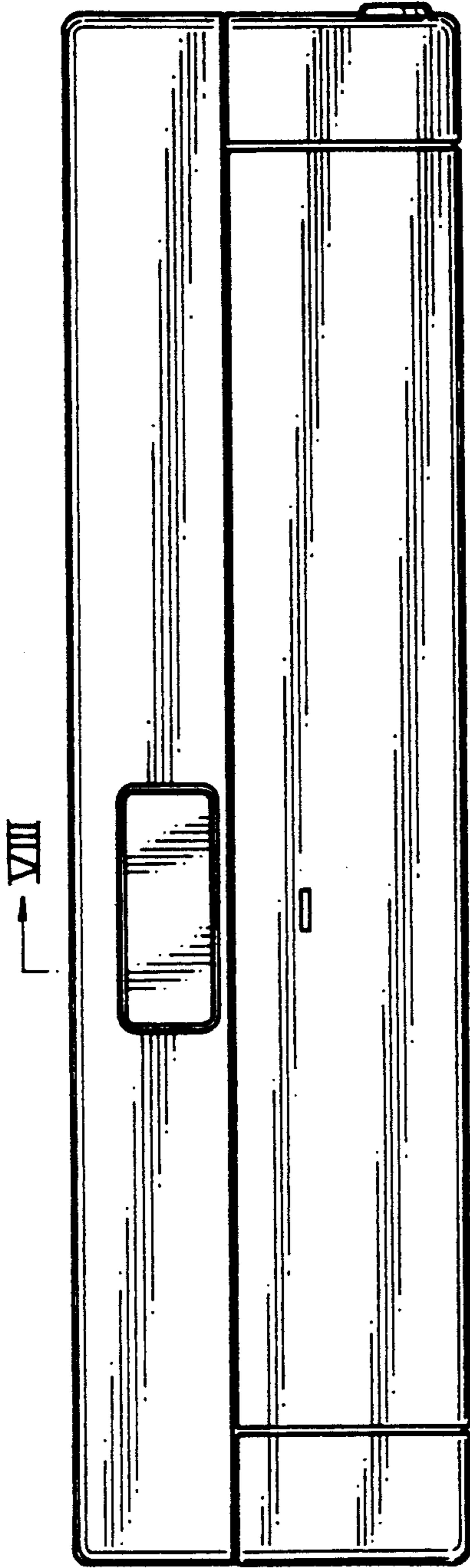


Fig. 5

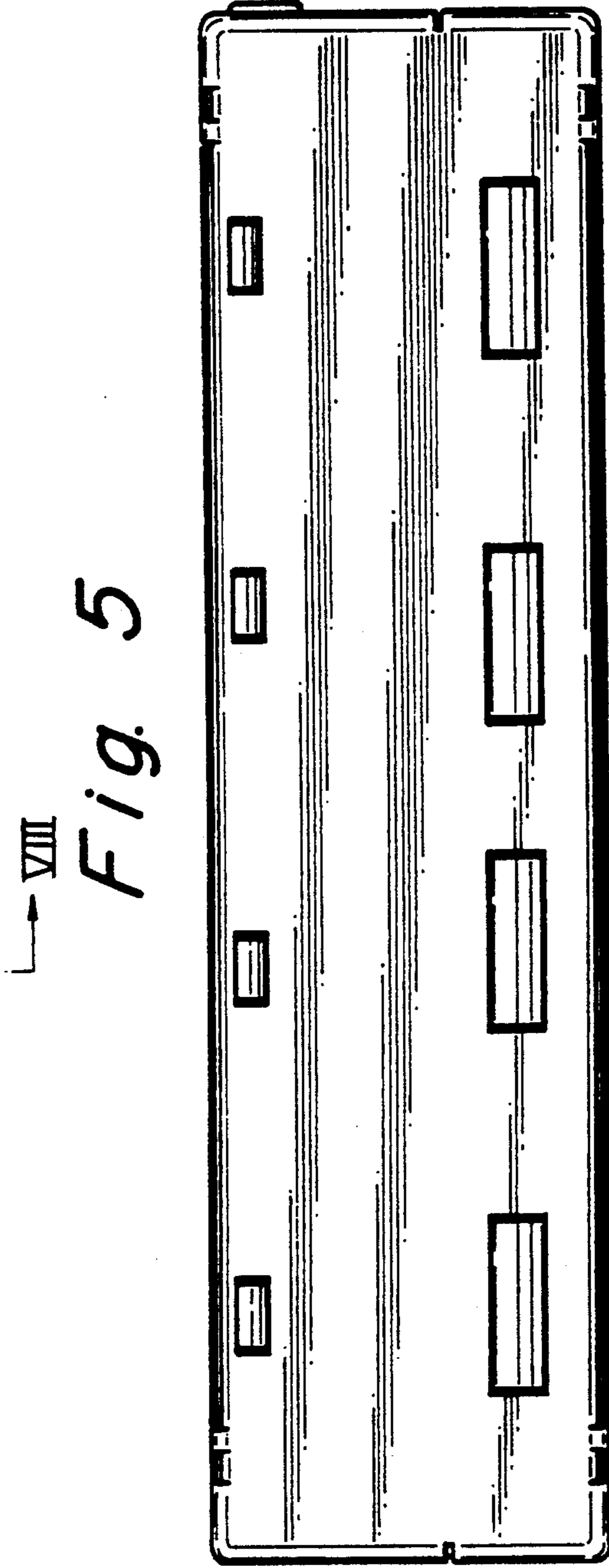


Fig. 6

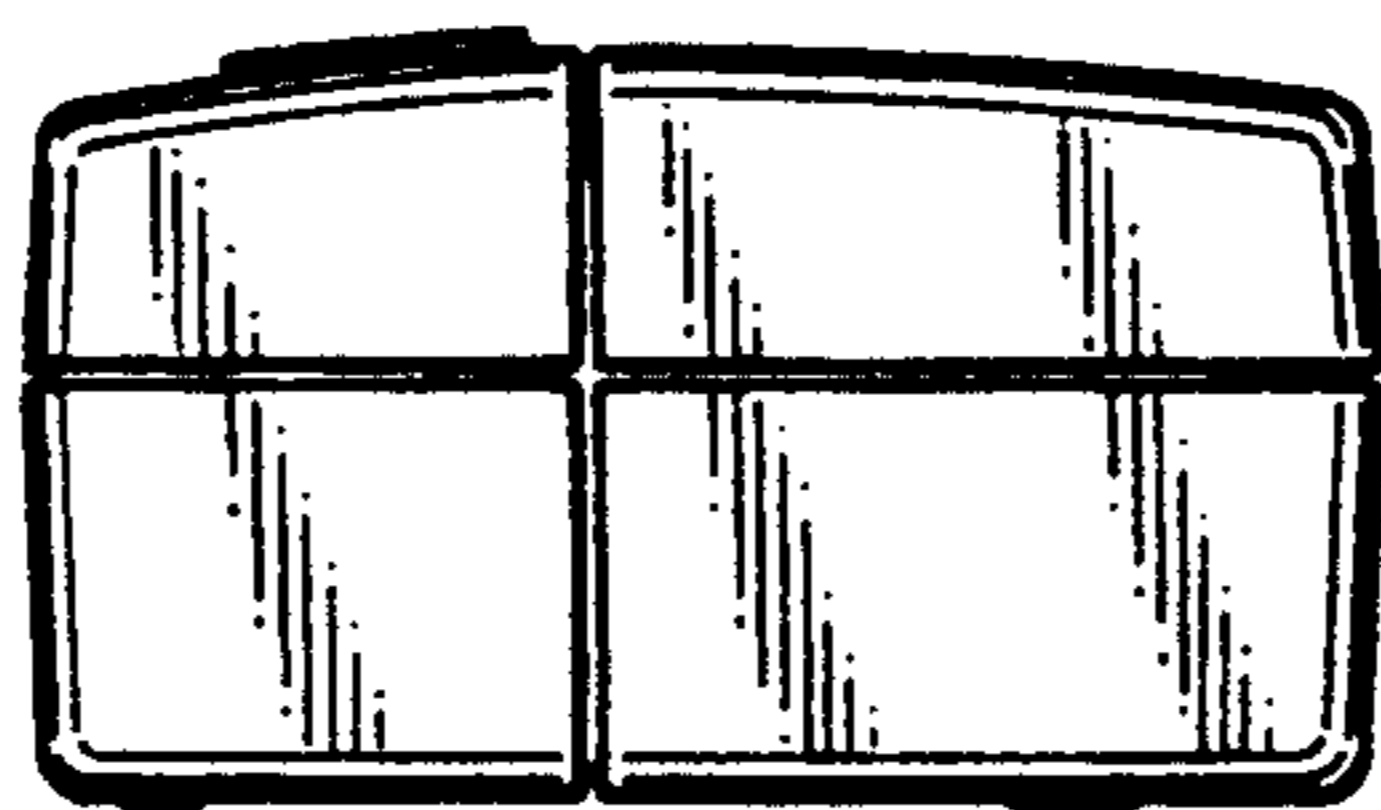


Fig. 7

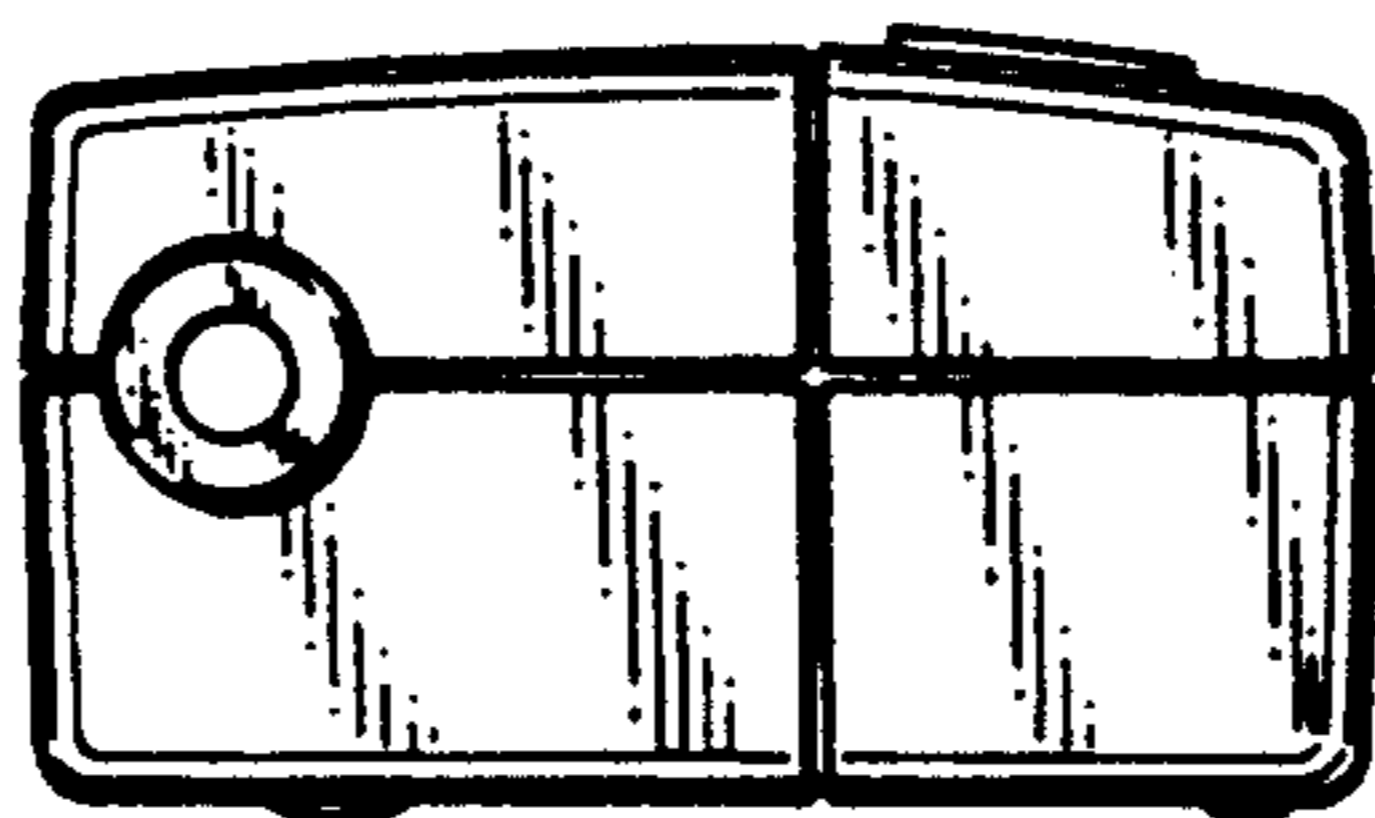


Fig. 8

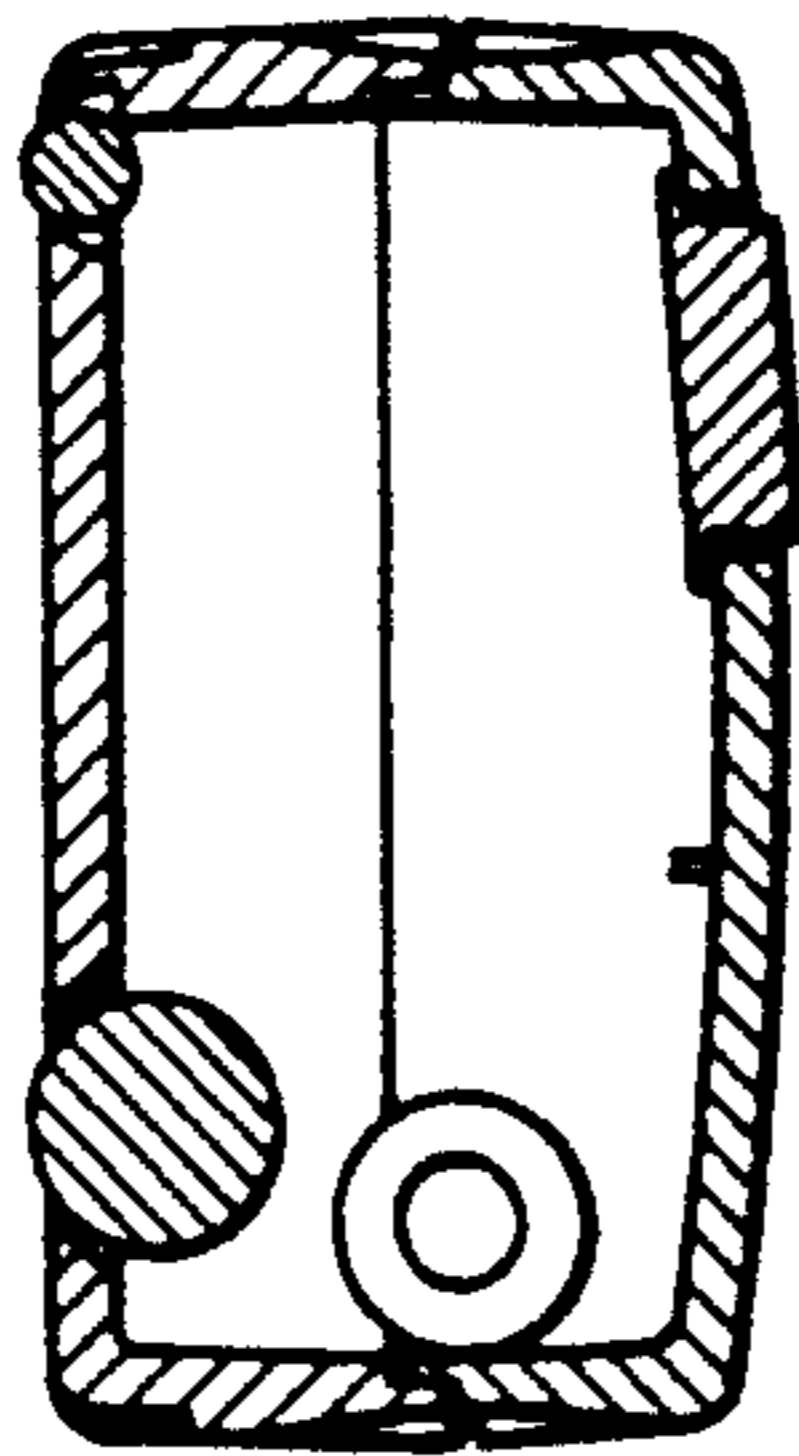


Fig. 9

