



US00D340227S

United States Patent [19]

[11] Patent Number: **Des. 340,227**

Gierut

[45] Date of Patent: **** Oct. 12, 1993**

[54] **PUSH BUTTON SWITCH**

[75] Inventor: **Joseph J. Gierut, Glenview, Ill.**

[73] Assignee: **Illinois Tool Works Inc., Glenview, Ill.**

[**] Term: **14 Years**

[21] Appl. No.: **895,870**

[22] Filed: **Jun. 9, 1992**

[52] U.S. Cl. **D13/171**

[58] Field of Search **D13/158, 171, 174; 200/293, 296, 302.2, 308, 311, 313, 317, 341, 412, 417, 520**

Pushbutton switches on p. D of *Augat Alcoswitch* catalog ©1990.

MLP series switches on p. D5 of *Augat Alcoswitch* catalog ©1990.

NKK JB15 series switches on p. 609 of *Allied Electronics* catalog ©1990.

Primary Examiner—Wallace R. Burke

Assistant Examiner—J. Sincavage

Attorney, Agent, or Firm—Thomas W. Buckman;

Donald J. Breh

[57] **CLAIM**

The ornamental design for a push button switch, as shown and described.

DESCRIPTION

FIG. 1 is a perspective view of a push button switch depicting my invention;

FIG. 2 is a side elevational view taken toward the right side of FIG. 1, the left side elevational being identical;

FIG. 3 is an end elevational view taken toward the left end in FIG. 1, the right end elevational view being identical;

FIG. 4 is a bottom plan view of a push button switch depicting my invention;

FIG. 5 is a top plan view of a preferred embodiment of a push button switch depicting my invention; and,

FIG. 6 is a top plan view of a push button switch depicting a second embodiment of my invention. All other views are the same as to first embodiment except for the top surface of the button.

[56] **References Cited**

U.S. PATENT DOCUMENTS

D. 294,823	3/1988	Holmes	D13/171
D. 311,727	10/1990	Brandt	D13/174
3,508,043	4/1970	Dellert	200/317 X
4,080,523	3/1978	De Loisy	200/311 X
5,004,880	4/1991	Koutaka	200/308 X

FOREIGN PATENT DOCUMENTS

3038946 of 1981 Fed. Rep. of Germany 200/308

OTHER PUBLICATIONS

Series 920000 pushbutton switch on pp. 5-13 of *Switchcraft catalog* ©1989.

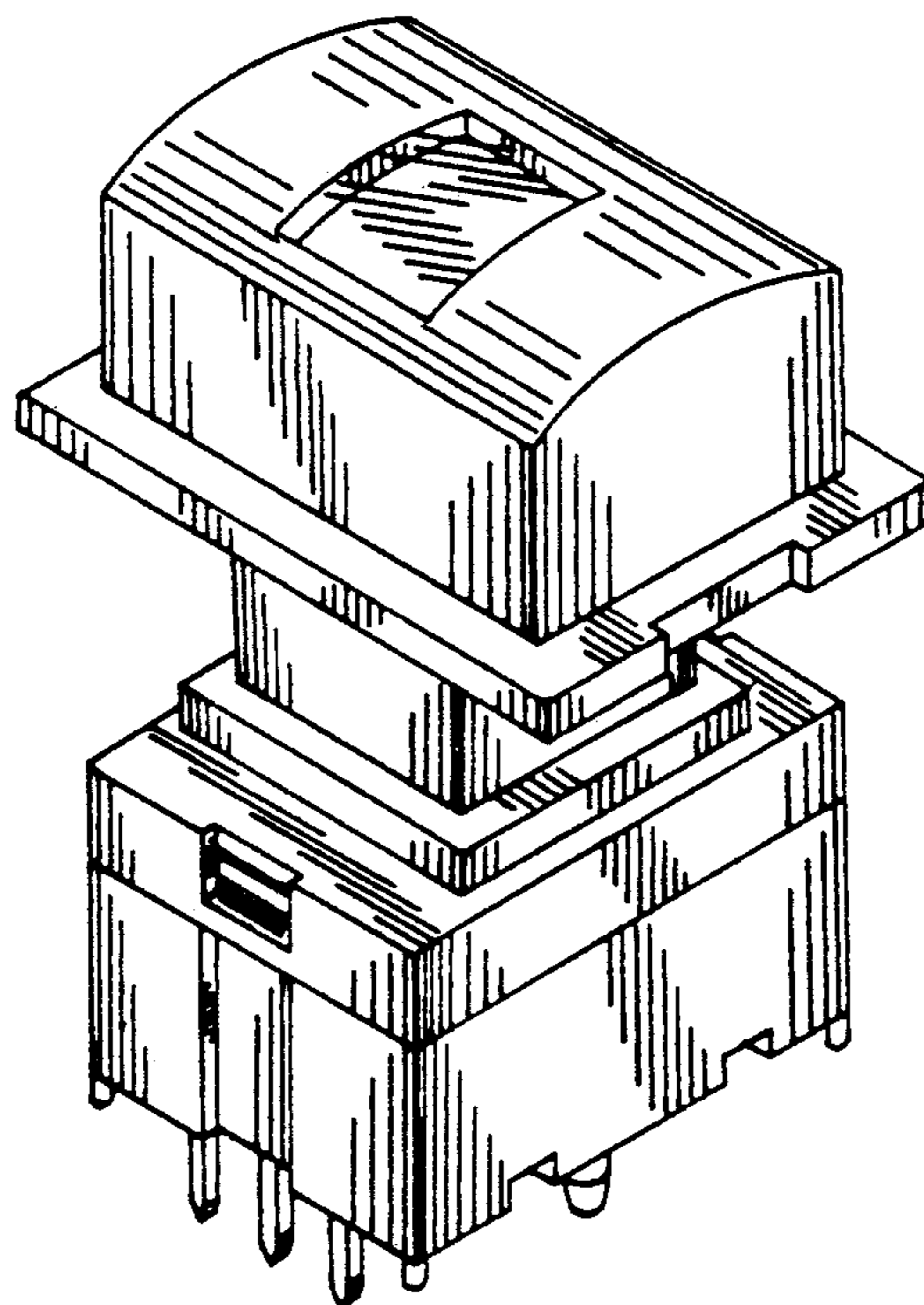


FIG. 1

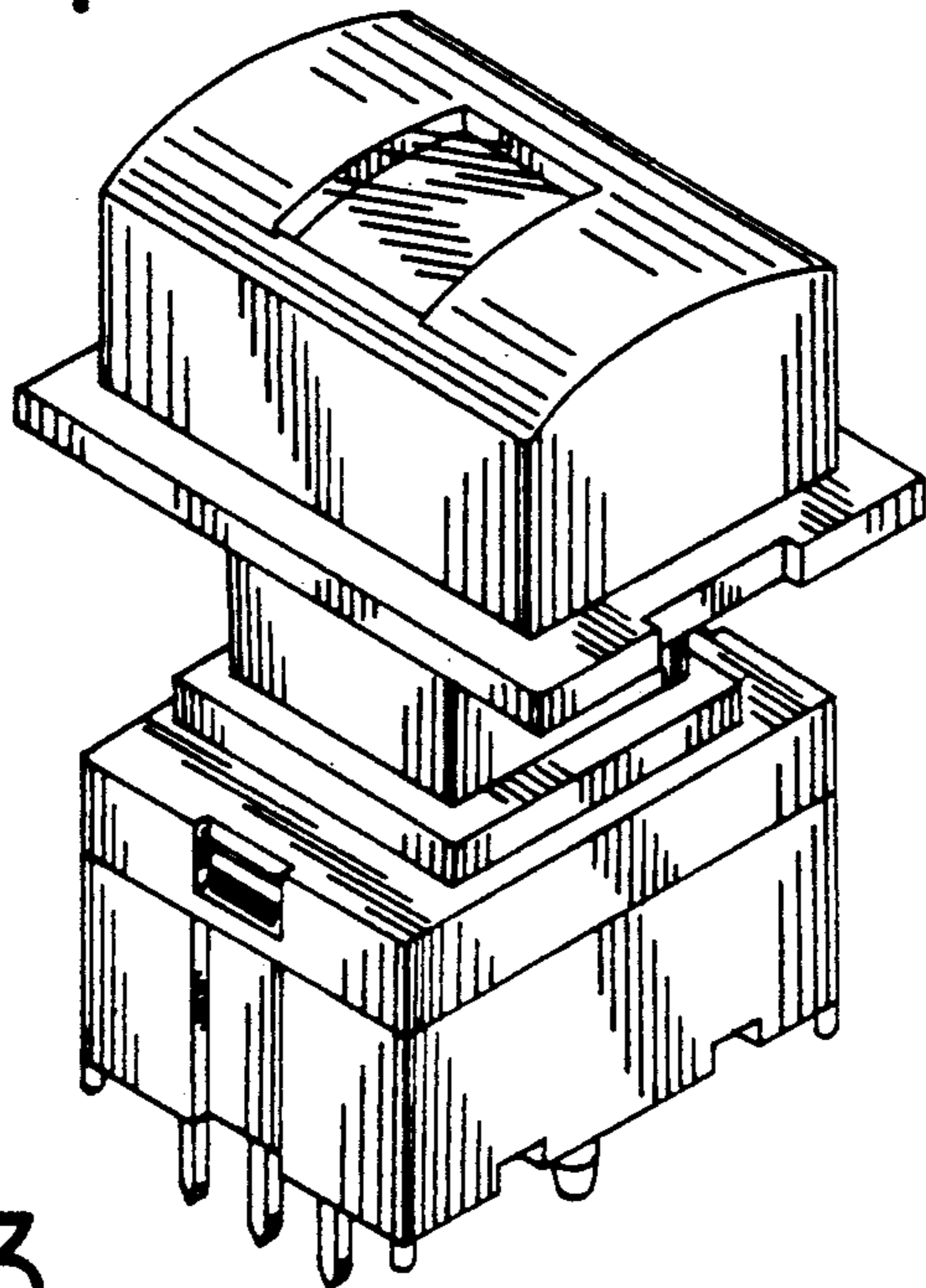


FIG. 2

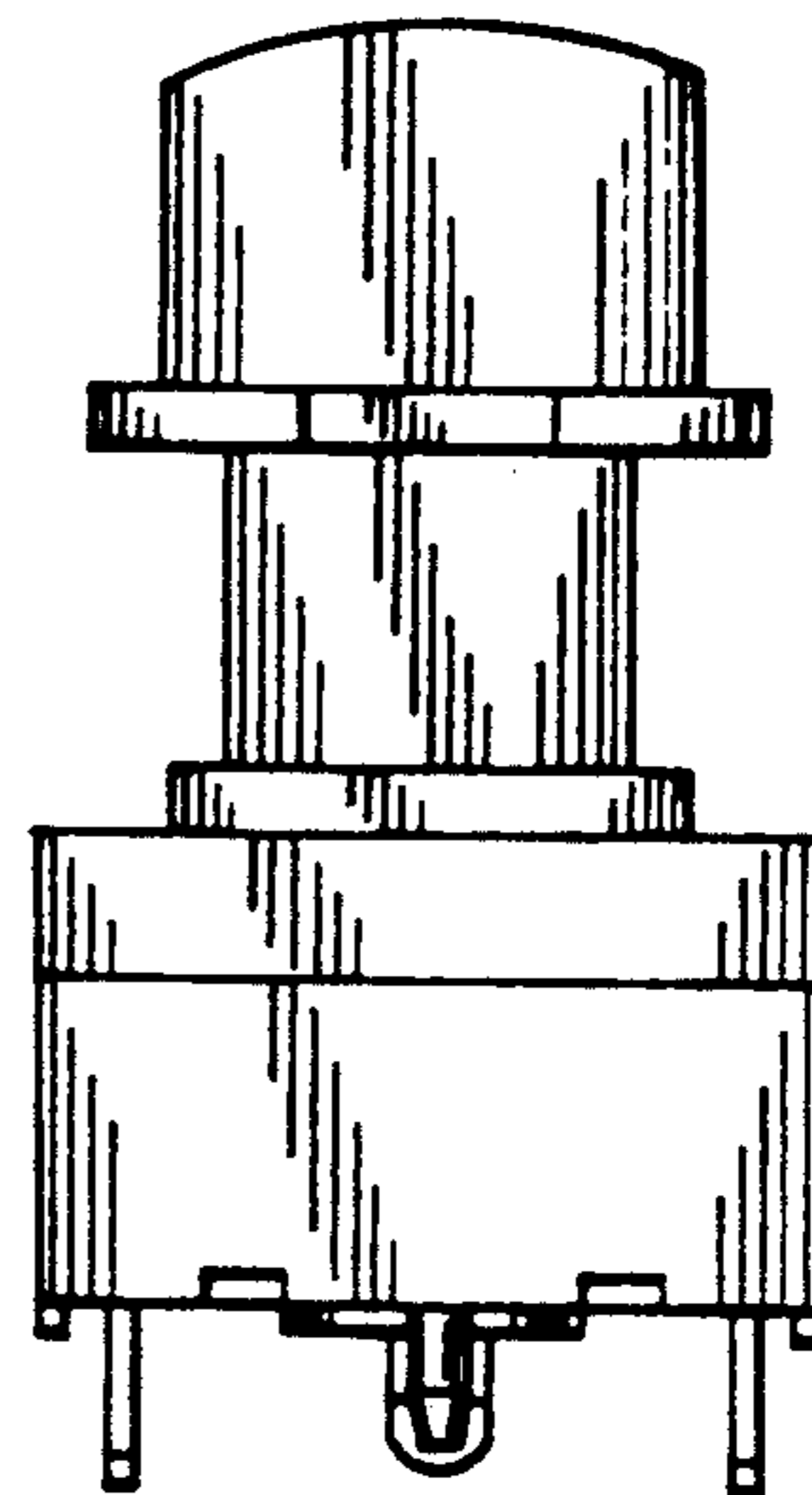


FIG. 3

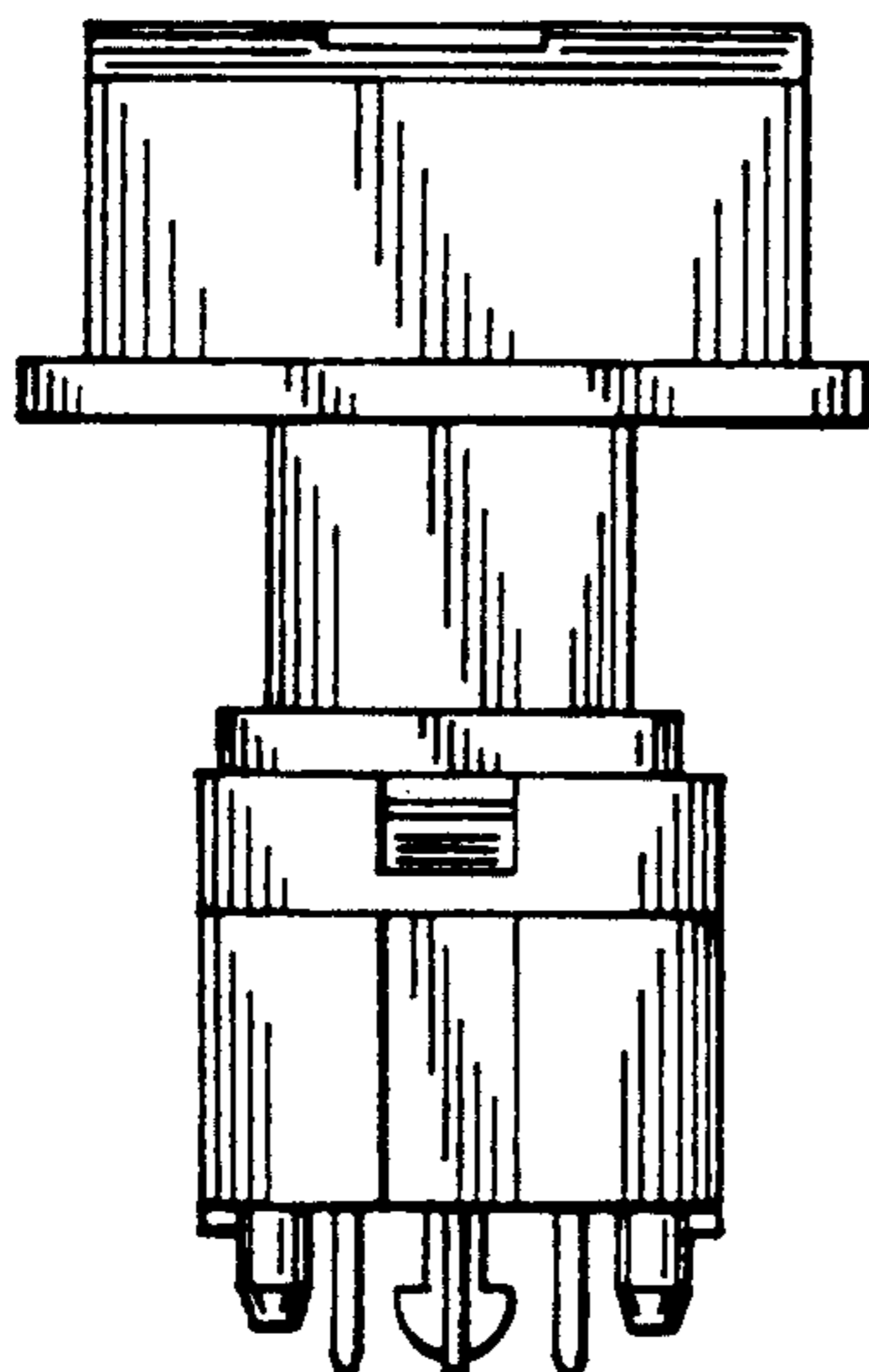


FIG. 4

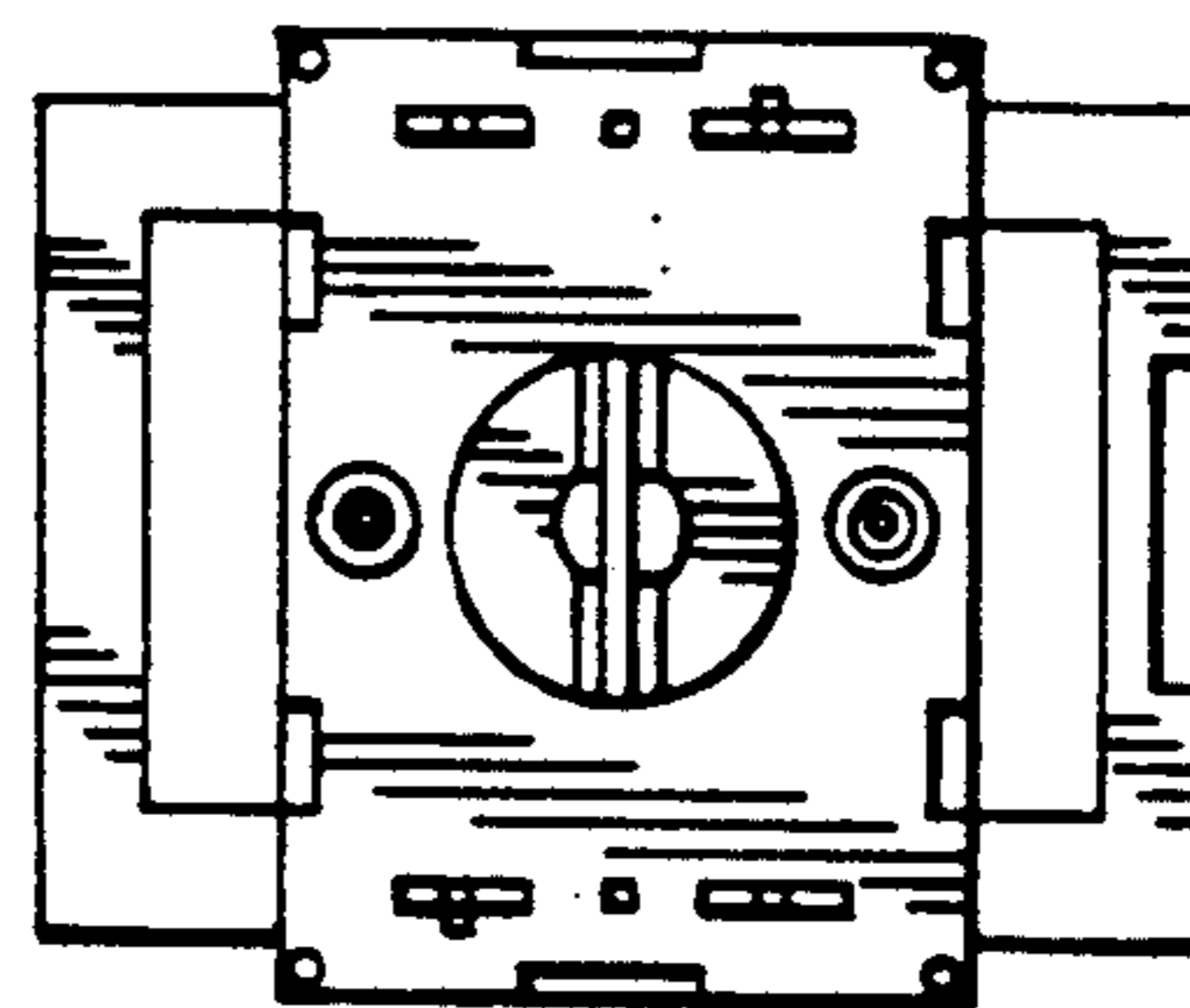


FIG. 5

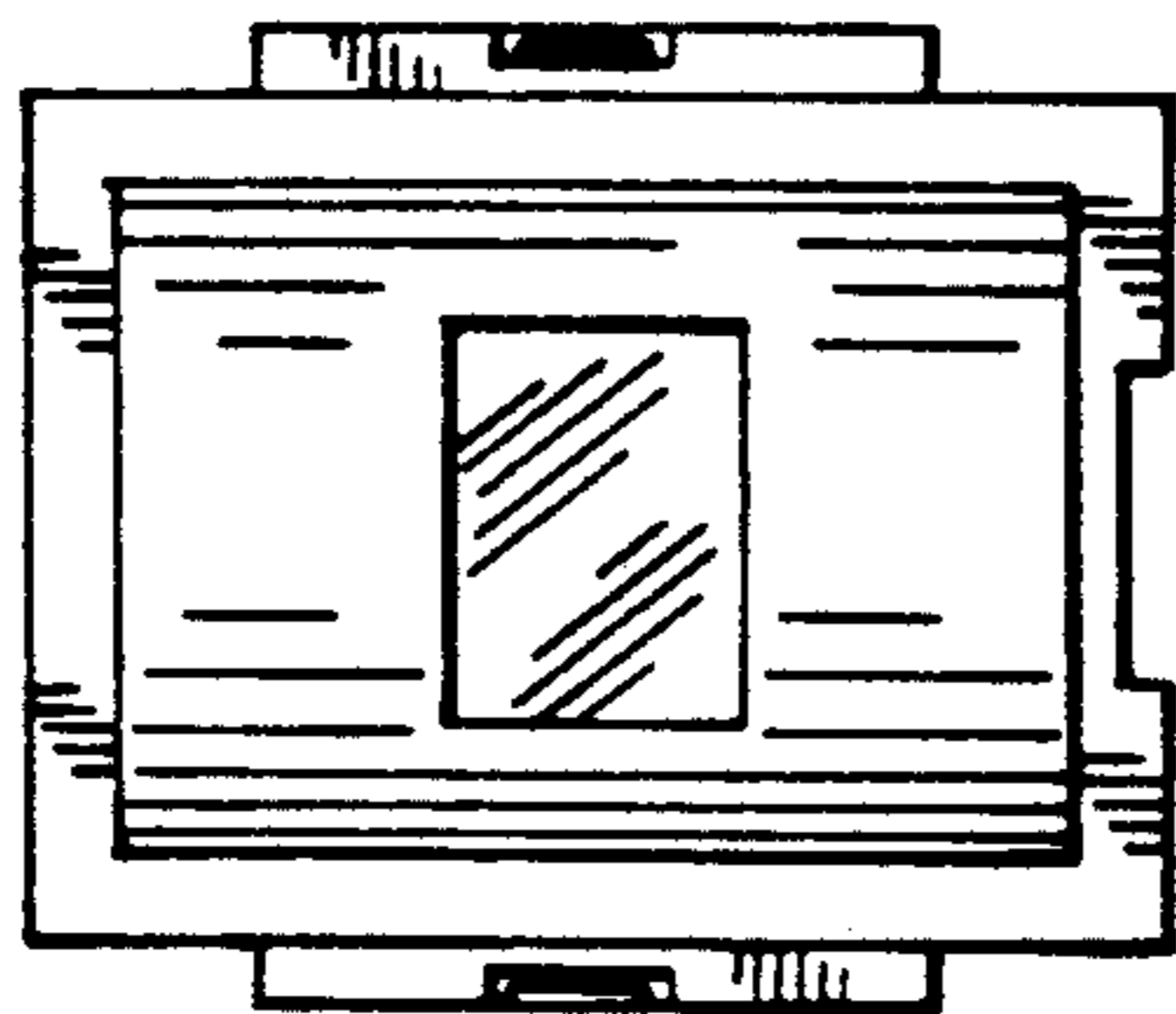


FIG. 6

