



US00D340222S

United States Patent [19]

[11] Patent Number: **Des. 340,222**

Bedell

[45] Date of Patent: **** Oct. 12, 1993**

[54] POWER CONVERTER

[75] Inventor: **Joel T. Bedell, Merrimack, N.H.**

[73] Assignee: **ATC Power Systems, Inc.,
Merrimack, N.H.**

[**] Term: **14 Years**

[21] Appl. No.: **2,210**

[22] Filed: **Dec. 4, 1992**

[52] U.S. Cl. **D13/110**

[58] Field of Search **D13/110, 123, 124, 184;
361/386, 388, 392; 336/2, 90, 92, 192, 200;
363/15, 95; 307/150, 151; 174/52.1, 52.2**

[56] References Cited

U.S. PATENT DOCUMENTS

| | | | |
|------------|---------|-----------------------|------------|
| D. 224,971 | 10/1972 | Syosset et al. | D13/124 |
| D. 297,928 | 10/1988 | Harpley et al. | D13/4 |
| 2,876,424 | 3/1959 | Stiler | 174/192 |
| 4,012,672 | 3/1977 | Douglass et al. | 336/2 X |
| 4,487,999 | 12/1984 | Baird et al. | 174/52 |
| 4,656,450 | 4/1987 | Jarosz et al. | 336/92 X |
| 5,043,211 | 8/1991 | Yoshizumi et al. | 174/52.2 X |
| 5,119,266 | 6/1992 | Petry | 361/111 |

OTHER PUBLICATIONS

Amplifier on p. 27 of *CWY Electronics* catalog, Jun. 9, 1986.

Power converter component on p. 20 of *Vicor 1991 Product Catalog*.

Electronic Component News, Sep. 1992 "Electronic Measurements' SMQ Series of DC/DC Converters".

Primary Examiner—Wallace R. Burke

Assistant Examiner—J. Sincavage

Attorney, Agent, or Firm—Hamilton, Brook, Smith & Reynolds

[57] CLAIM

The ornamental design for power converter, and shown and described.

DESCRIPTION

FIG. 1 is a perspective view of a power converter showing the new design;

FIG. 2 is a bottom plan view thereof;

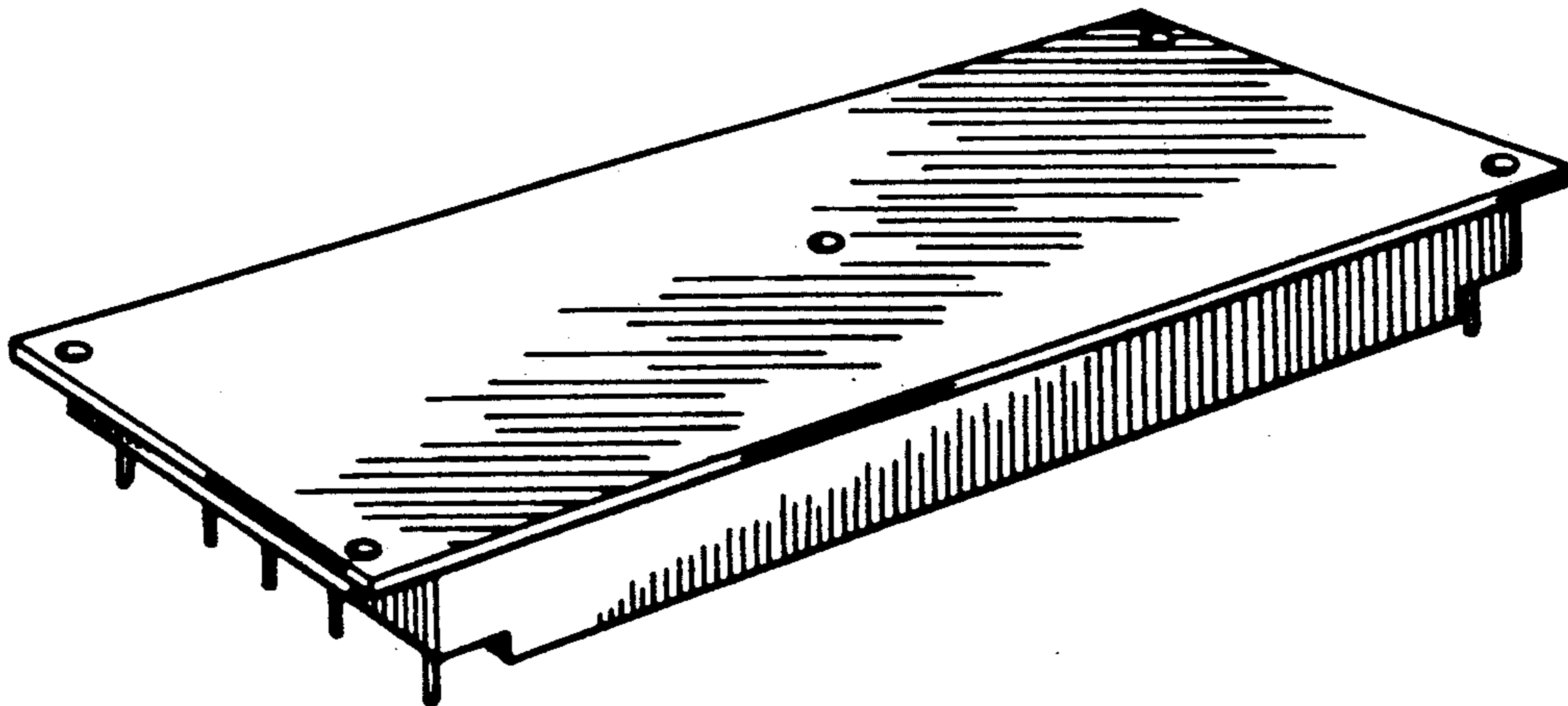
FIG. 3 is a side elevational view thereof, the opposite side being a mirror image;

FIG. 4 is a top plan view thereof;

FIG. 5 is an end elevational view thereof;

FIG. 6 is an end elevational view thereof of the opposite side of FIG. 5; and,

FIG. 7 is a perspective view of a power converter showing a second embodiment of the new design, the plan and elevational views being the same as the first embodiment except for the central hole.



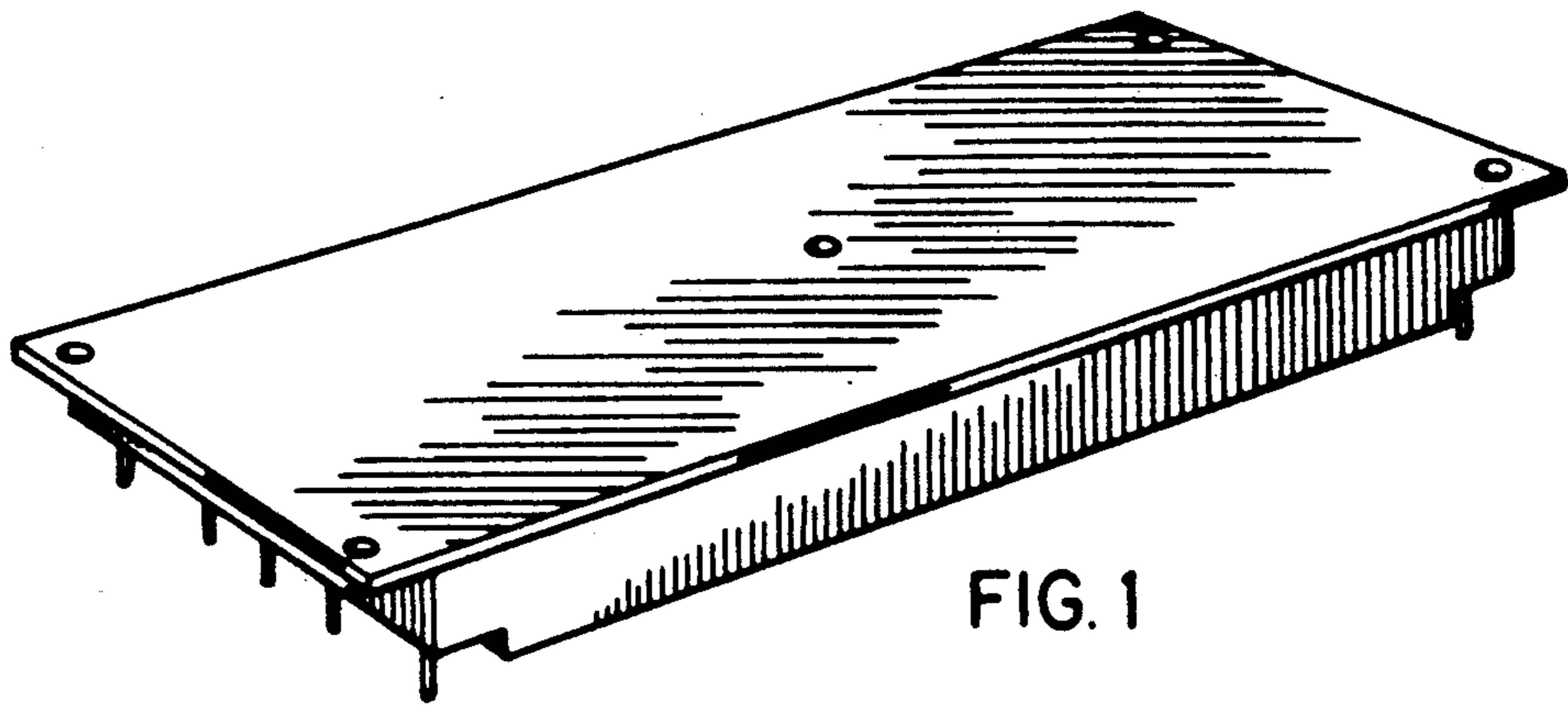


FIG. 1

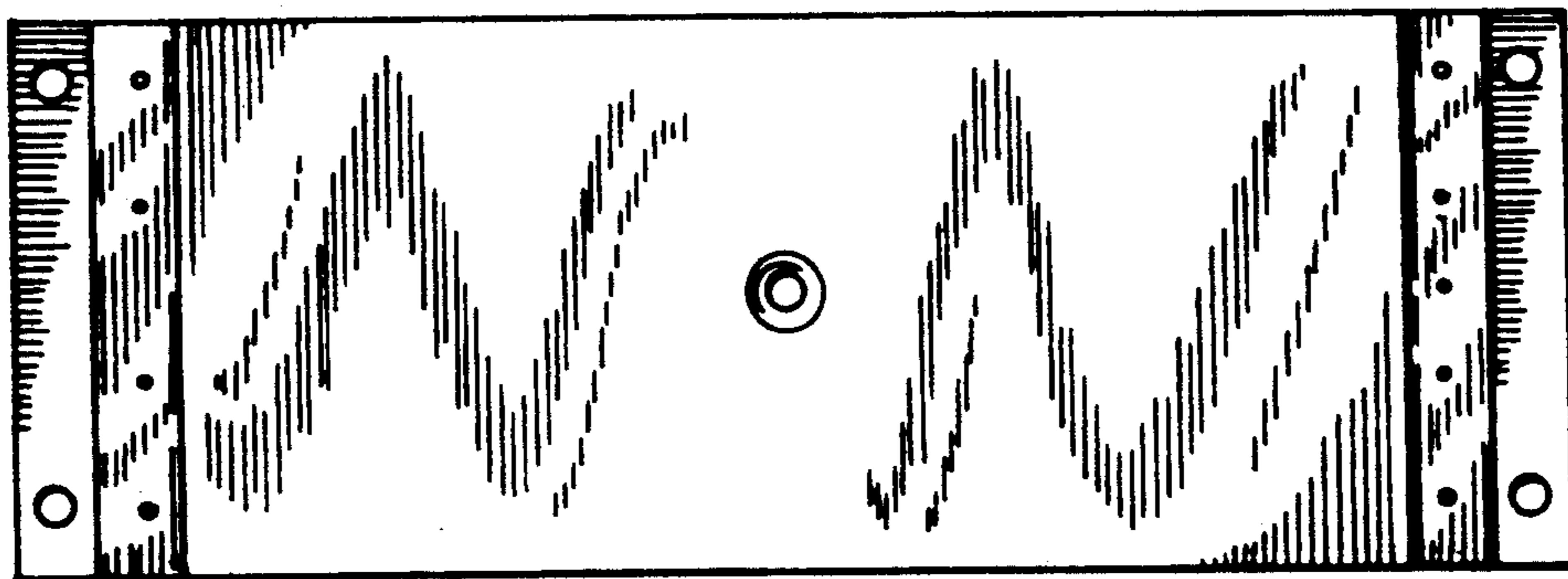


FIG. 2



FIG. 3

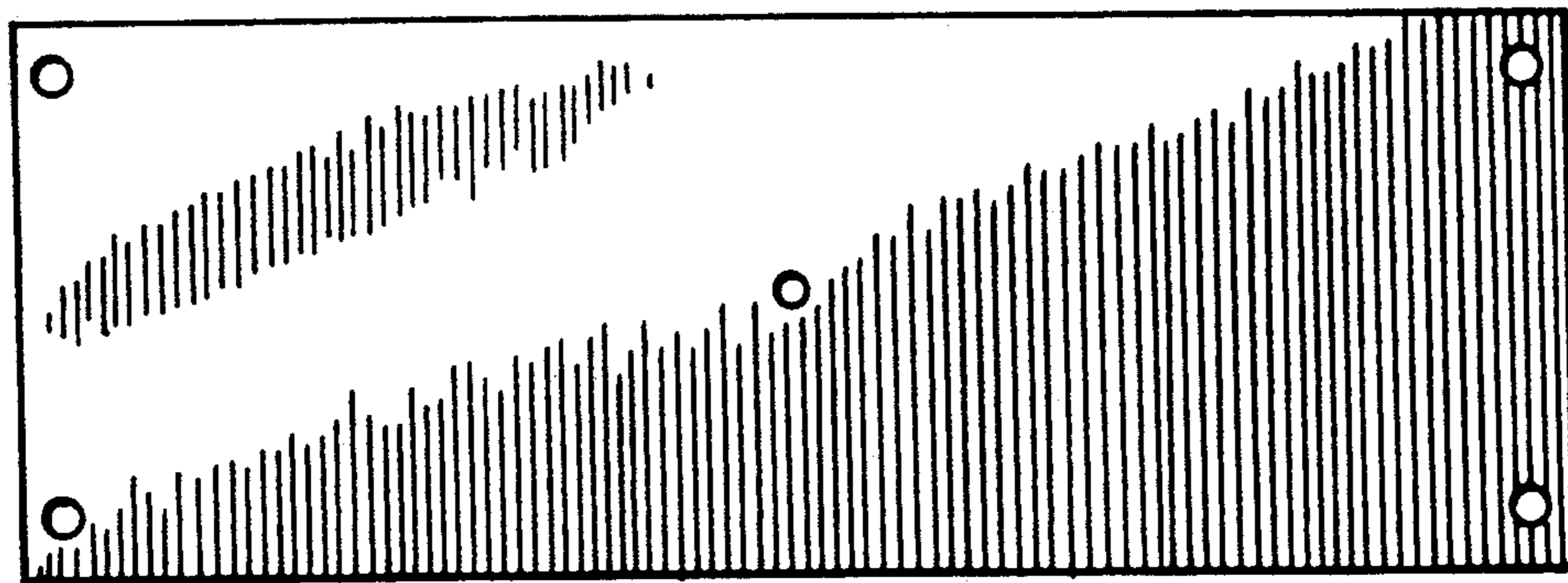


FIG. 4

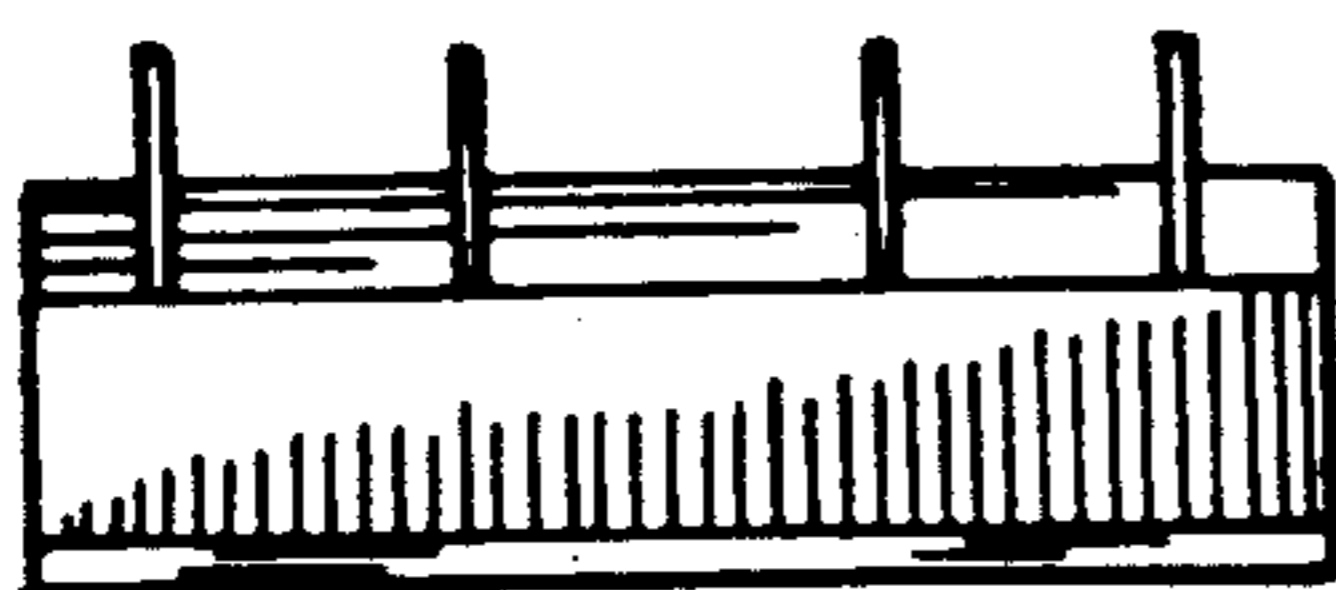


FIG. 5

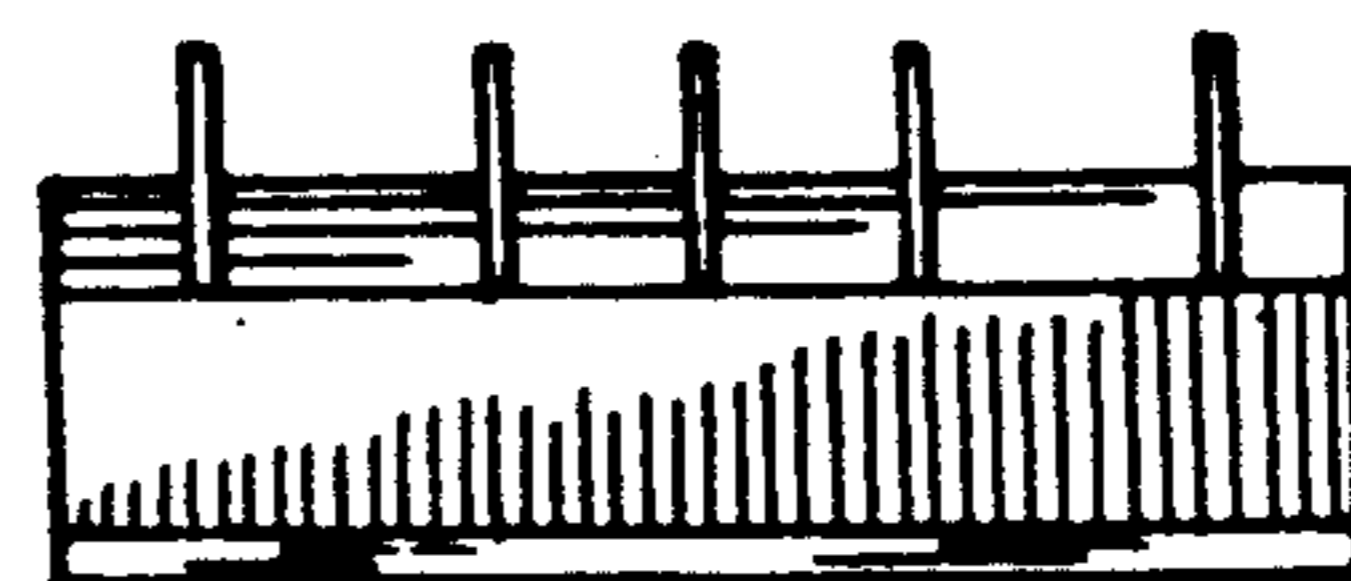


FIG. 6

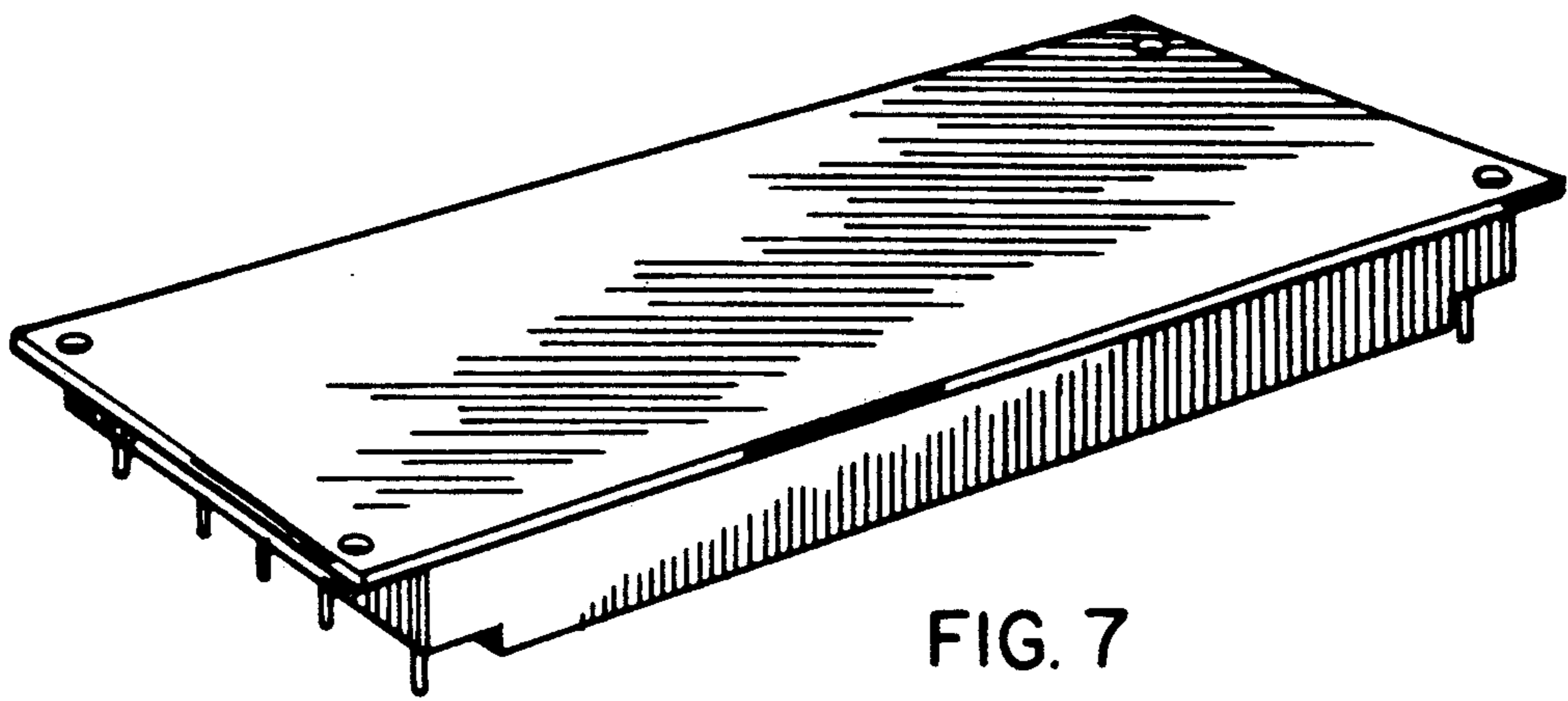


FIG. 7