



US00D340220S

United States Patent [19]

[11] Patent Number: **Des. 340,220**

Rocamora et al.

[45] Date of Patent: **** Oct. 12, 1993**

[54] **WHEEL PROTECTOR**

4,874,206 10/1989 Sampson 301/37.1

[76] Inventors: **Richard A. Rocamora; Tracey A. Escolano**, both of 510 Alvin Dr., Salinas, Calif. 93906

Primary Examiner—James M. Gandy
Attorney, Agent, or Firm—Hugh E. Smith

[**] Term: **14 Years**

[57] **CLAIM**

The ornamental design for a wheel protector, as shown and described.

[21] Appl. No.: **948,753**

DESCRIPTION

[22] Filed: **Sep. 14, 1992**

FIG. 1 is a front elevational view of the wheel protector showing our new design;

[52] U.S. Cl. **D12/213**

FIG. 2 is a rear elevational view thereof;

[58] Field of Search **D12/213; 301/37.1, 37.42**

FIG. 3 is a left side elevational view thereof;

FIG. 4 is a right side elevational view thereof;

FIG. 5 is a top plan view thereof; and,

FIG. 6 is a bottom plan view thereof.

[56] **References Cited**

U.S. PATENT DOCUMENTS

D. 305,635 1/1990 Pope **D12/213**

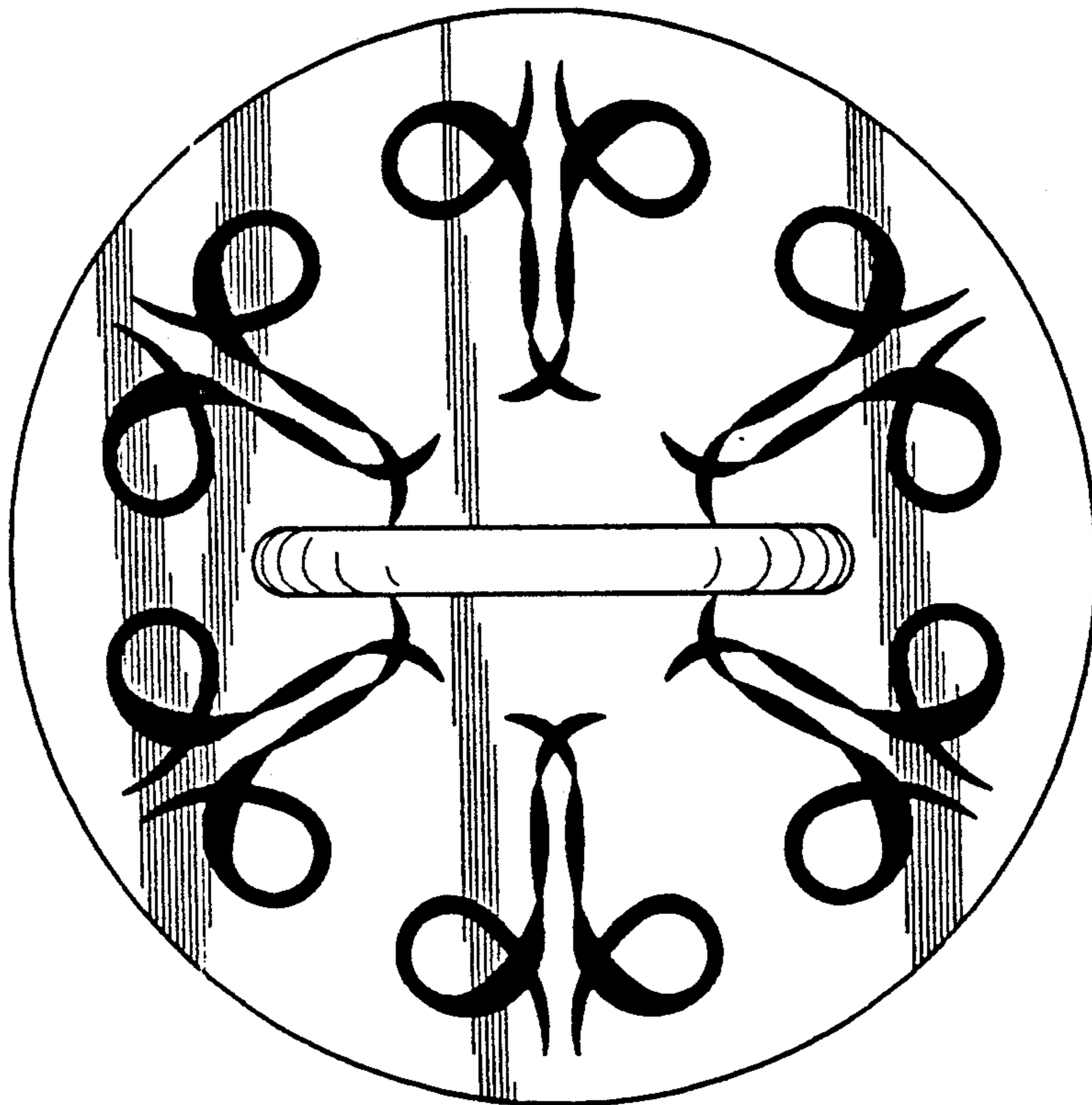


FIG. 1

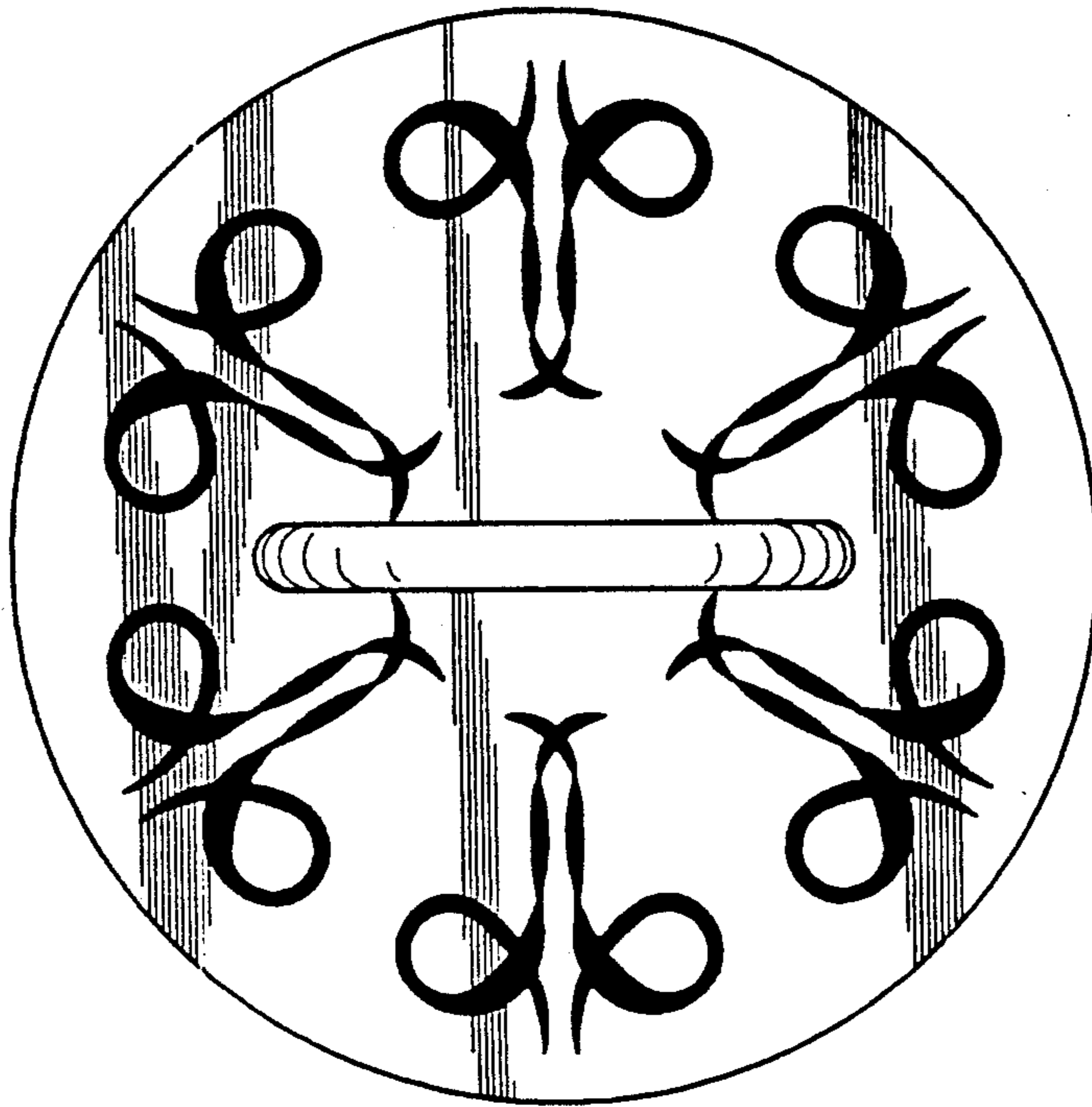


FIG. 2

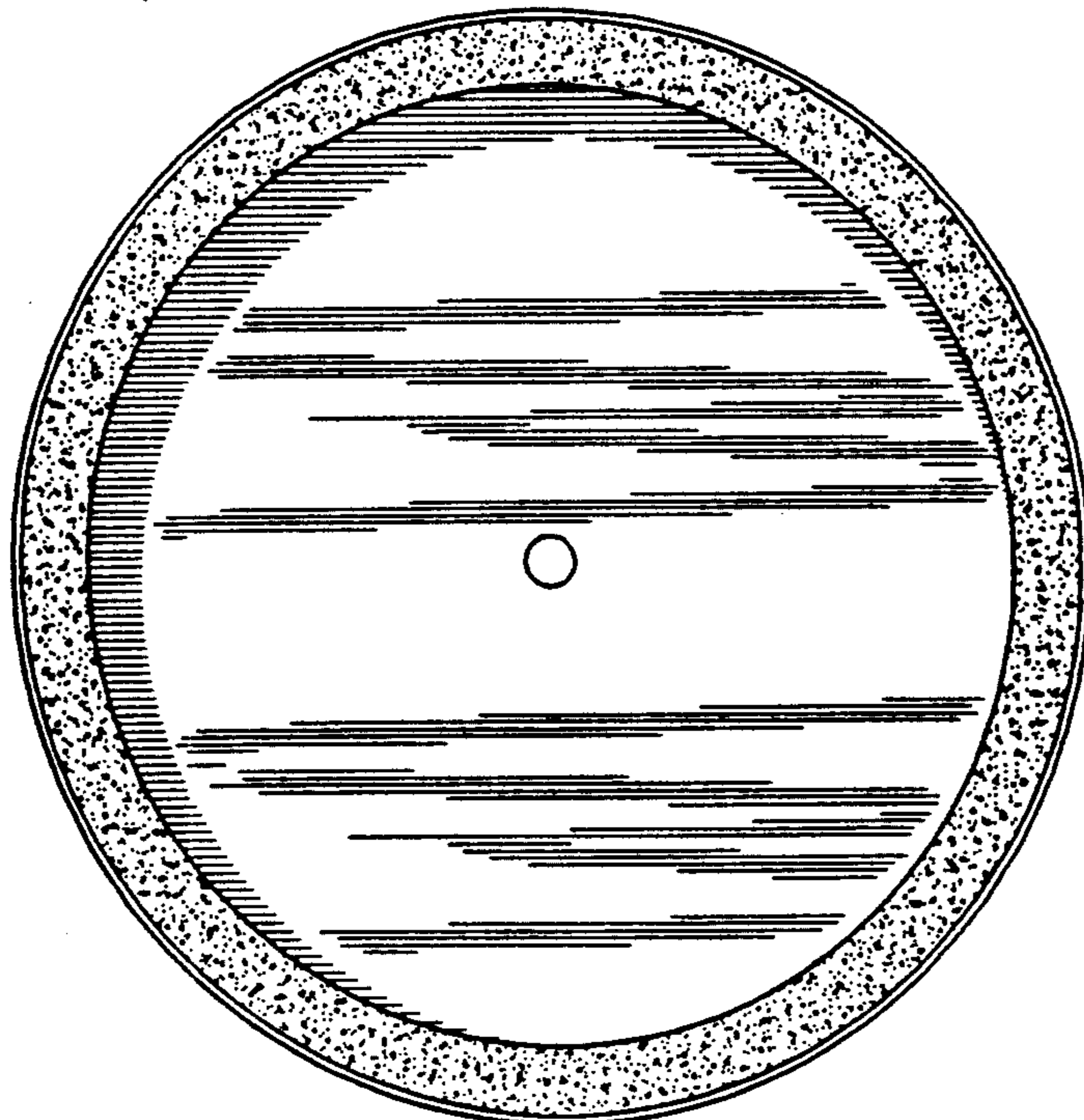


FIG. 3

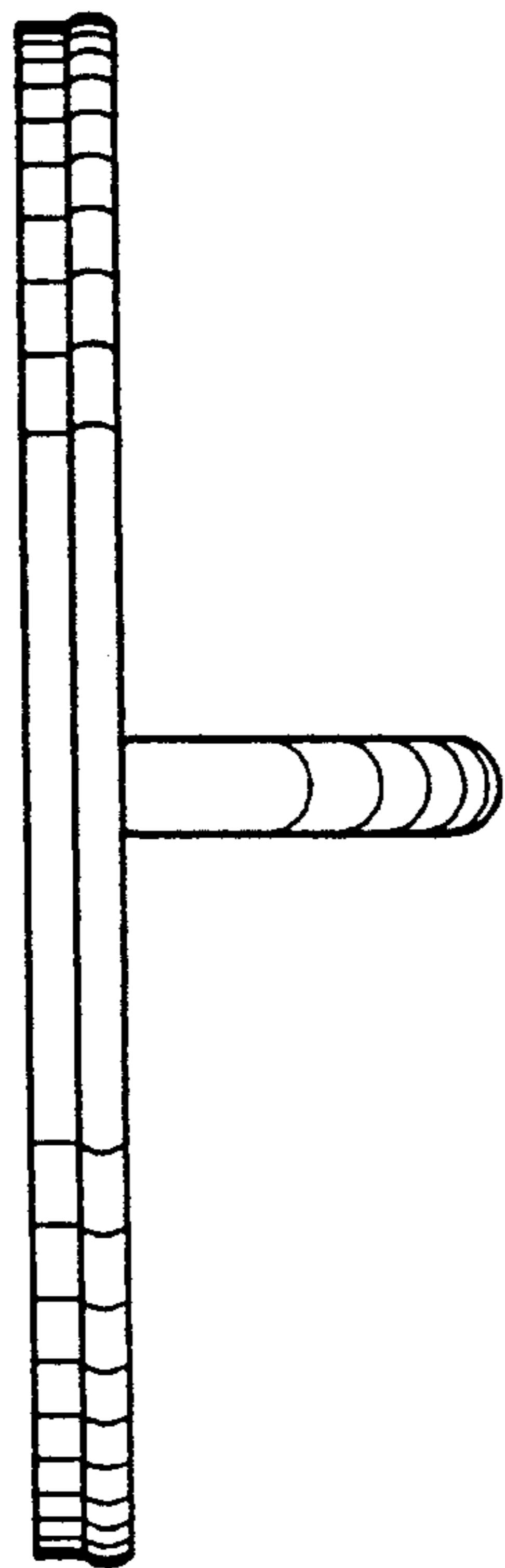


FIG. 4

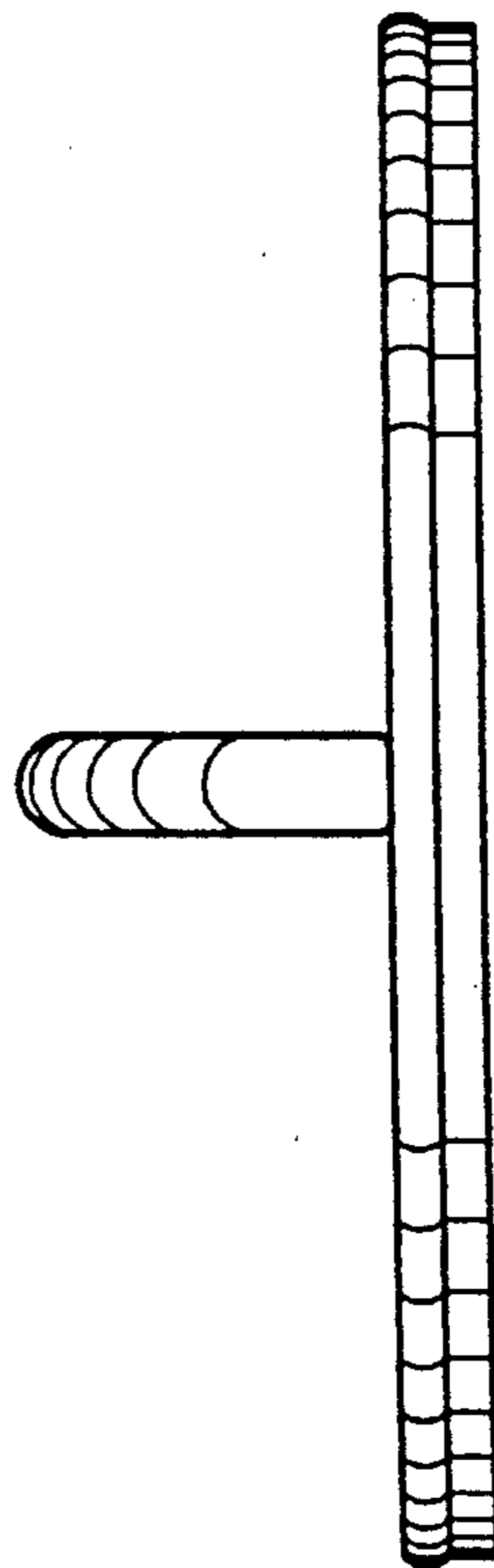


FIG. 5

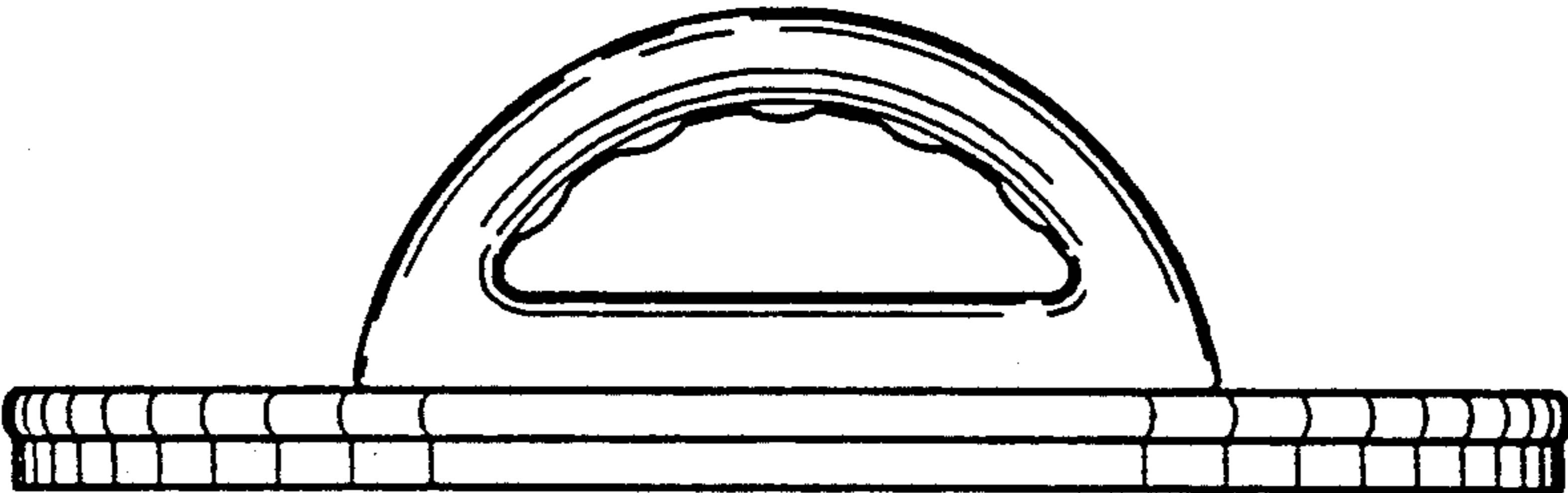


FIG. 6

