



US00D340218S

United States Patent [19]

[11] Patent Number: **Des. 340,218**

Delage et al.

[45] Date of Patent: **** Oct. 12, 1993**

[54] **TOP TRUNK FOR BICYCLE**

[56] **References Cited**

[75] Inventors: **Alain Delage, Montreal; Richard Lamoureux, L'Assomption, both of Canada**

U.S. PATENT DOCUMENTS

- D. 254,062 1/1980 Anton D12/158
- D. 264,458 5/1982 Vetter et al. D12/158
- D. 273,578 4/1984 Hsu D12/158
- D. 308,191 5/1990 Yamada et al. D12/158

[73] Assignee: **Plastiques Anchor Ltee, L'Assomption, Canada**

Primary Examiner—Wallace R. Burke
Assistant Examiner—Melody N. Brown
Attorney, Agent, or Firm—ROBIC

[**] Term: **14 Years**

[57] **CLAIM**

The ornamental design for a top trunk for bicycle, as shown and described.

[21] Appl. No.: **850,776**

DESCRIPTION

[22] Filed: **Mar. 13, 1992**

FIG. 1 is a perspective view of a top trunk for bicycle, showing our new design;
FIG. 2 is a front elevational view thereof;
FIG. 3 is a rear elevational view thereof;
FIG. 4 is a side elevational view thereof, the opposite side being a mirror image of that shown;
FIG. 5 is a top plan view thereof; and,
FIG. 6 is a bottom plan view thereof.

[30] **Foreign Application Priority Data**

- Dec. 17, 1991 [CA] Canada 17-12-91-5
- [52] U.S. Cl. **D12/158**
- [58] Field of Search D12/158; 224/30 R, 30 A, 224/32 R, 32 A, 39

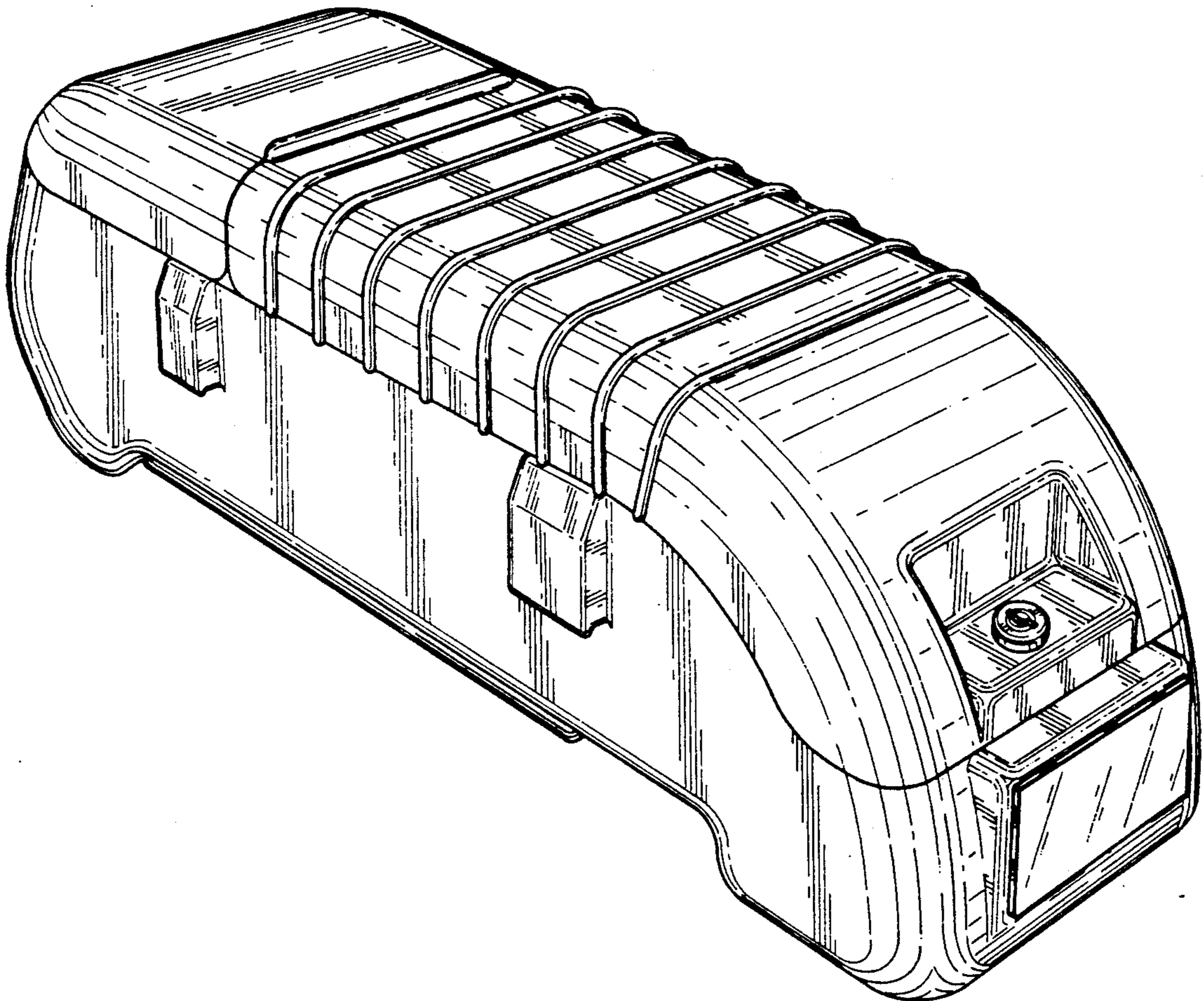
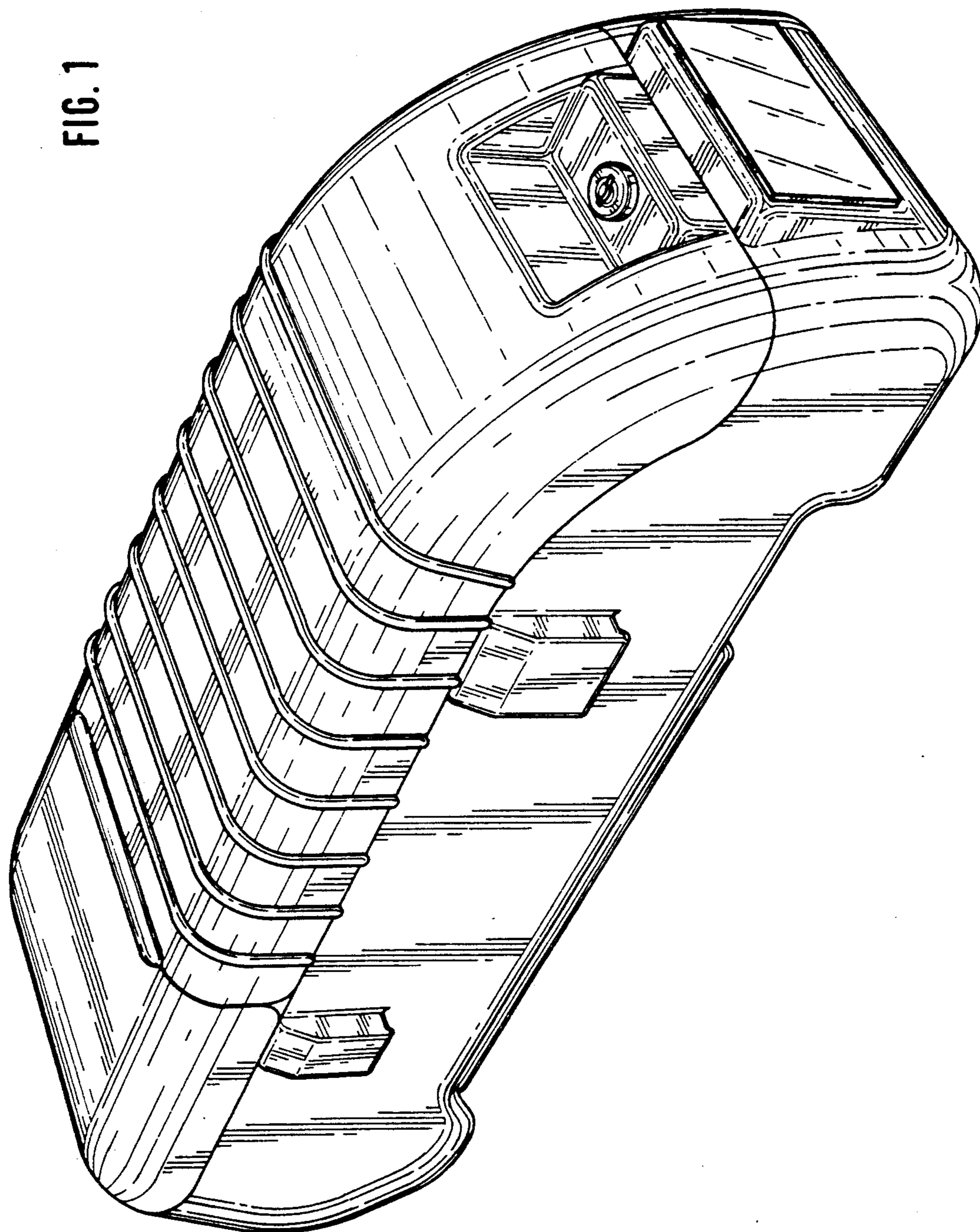


FIG. 1



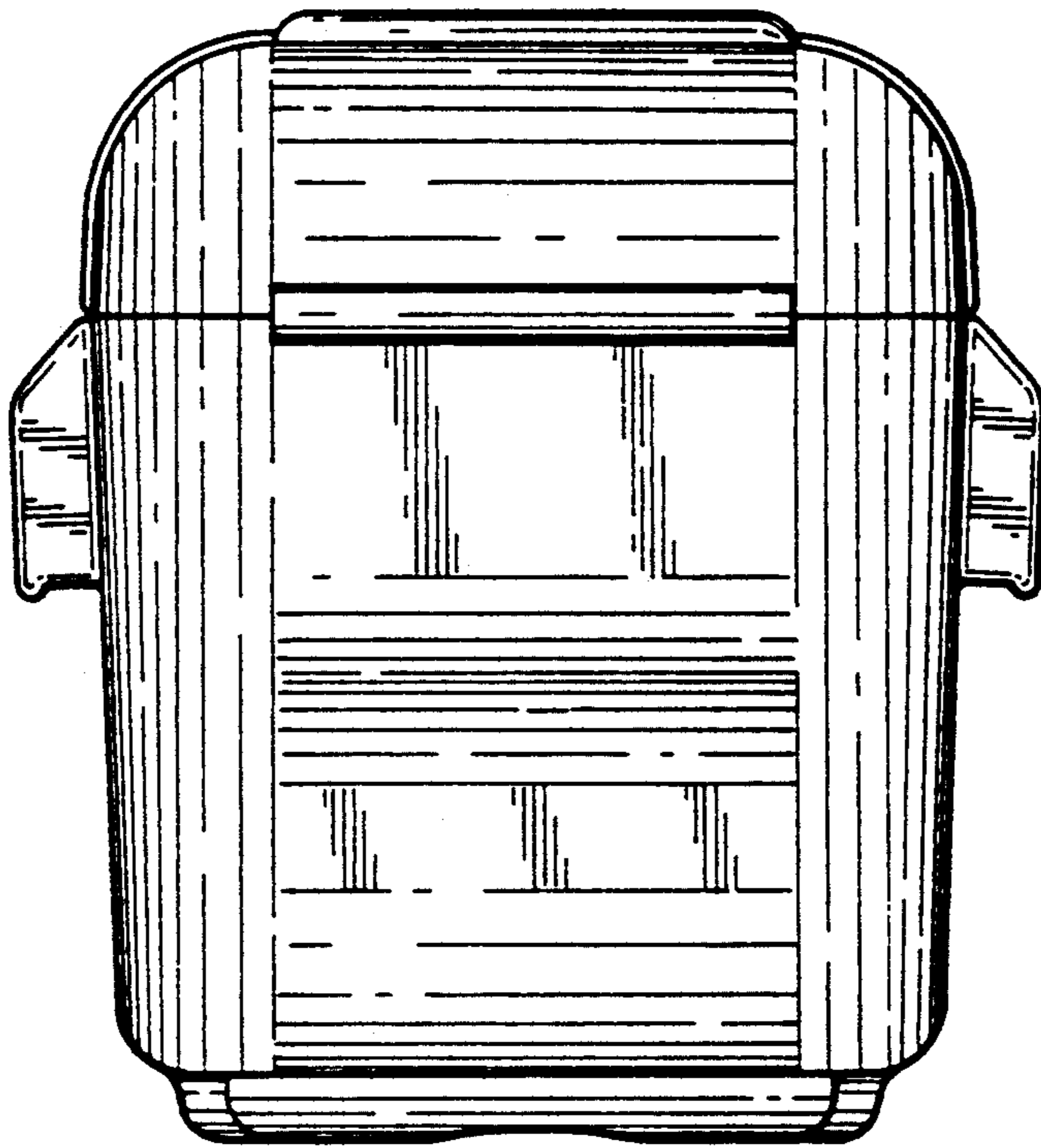


FIG. 2

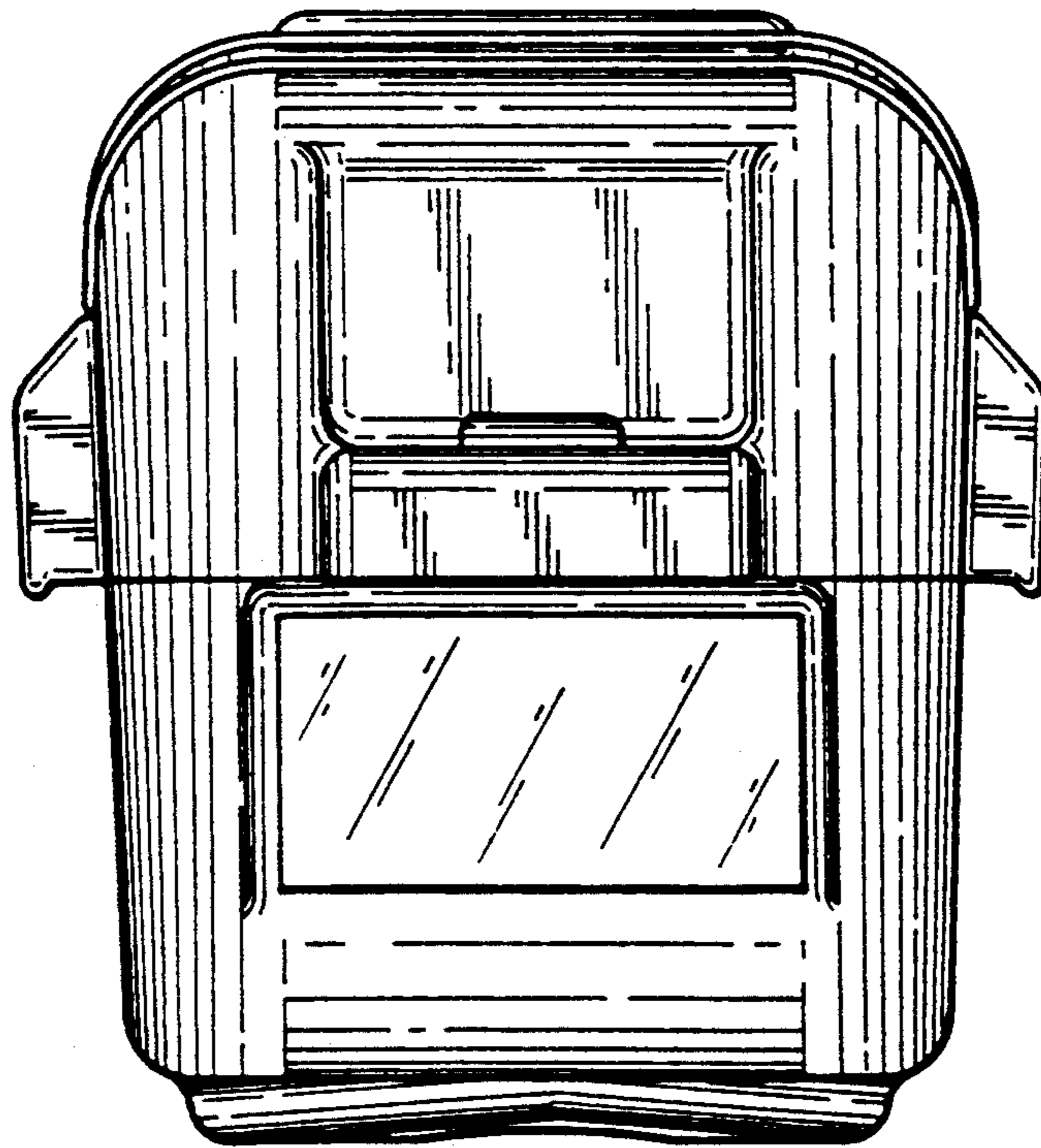
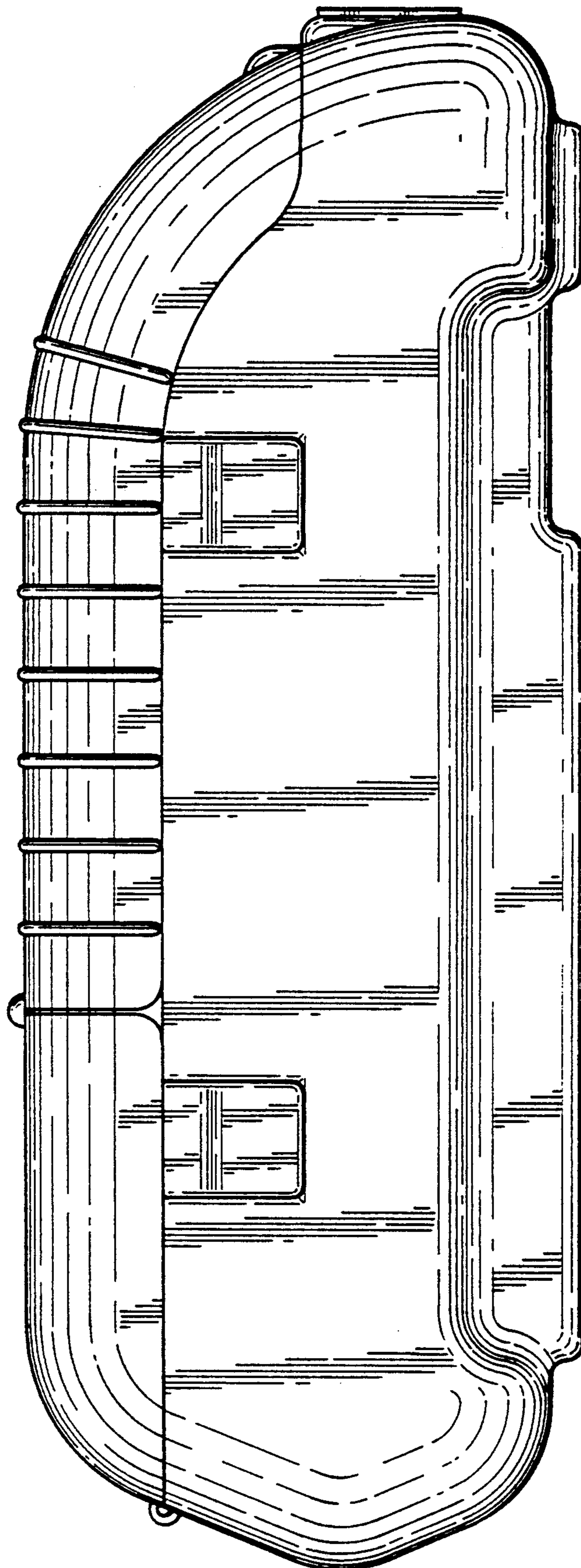


FIG. 3

FIG. 4



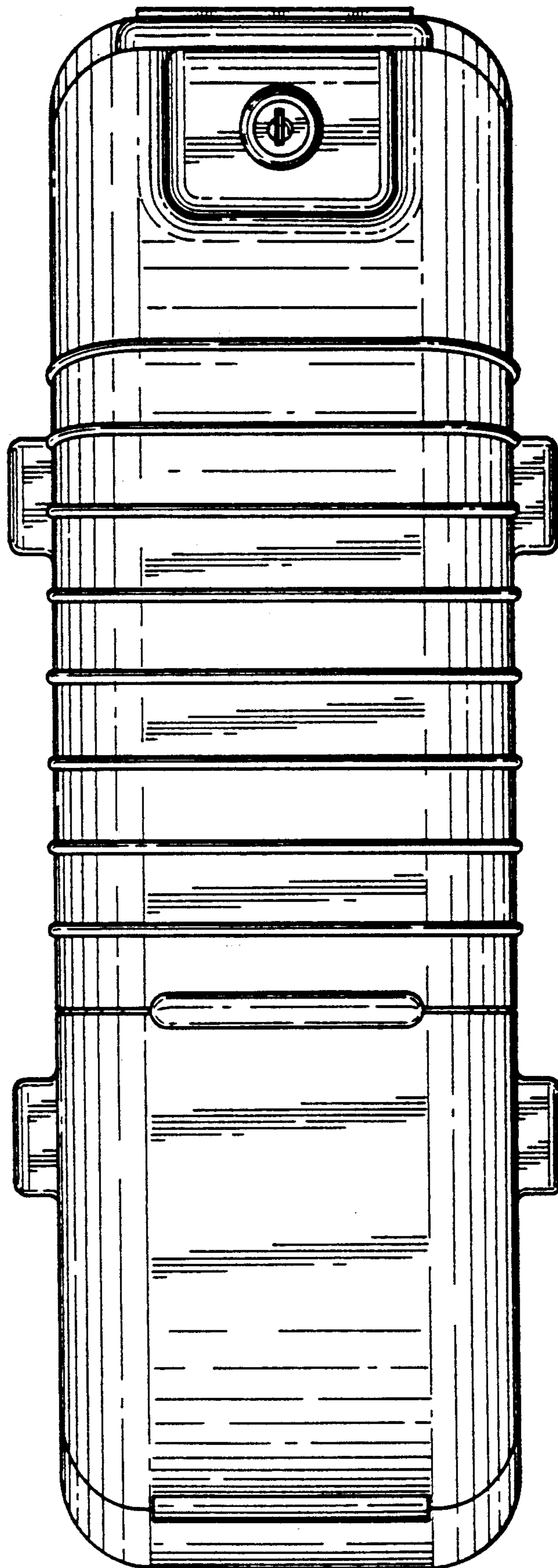


FIG. 5

FIG. 6

