



US00D340208S

United States Patent [19]

[11] Patent Number: **Des. 340,208**

Wolfe et al.

[45] Date of Patent: **** Oct. 12, 1993**

[54] **AUTOMOTIVE VEHICLE**

[56] **References Cited
PUBLICATIONS**

[76] Inventors: **John M. Wolfe**, 1600 S.Eads St., Apt. 115 N, Arlington, Va. 22202; **Patrick L. Bouta**, 91-229 Kuhela St., Ewa Beach, Hi. 96707

Design News, Jul. 18, 1977, p. 16, Jeep II, center left side of page.

Motor Trend, Jul. 1963, p. 32, Sportster Vehicle, center of page.

Primary Examiner—James M. Gandy

[**] Term: **14 Years**

[57] **CLAIM**

The ornamental design for an automotive vehicle, as shown.

[21] Appl. No.: **696,347**

DESCRIPTION

[22] Filed: **May 6, 1991**

FIG. 1 is a perspective view;

[52] U.S. Cl. **D12/87; D12/92**

FIG. 2 is a front view;

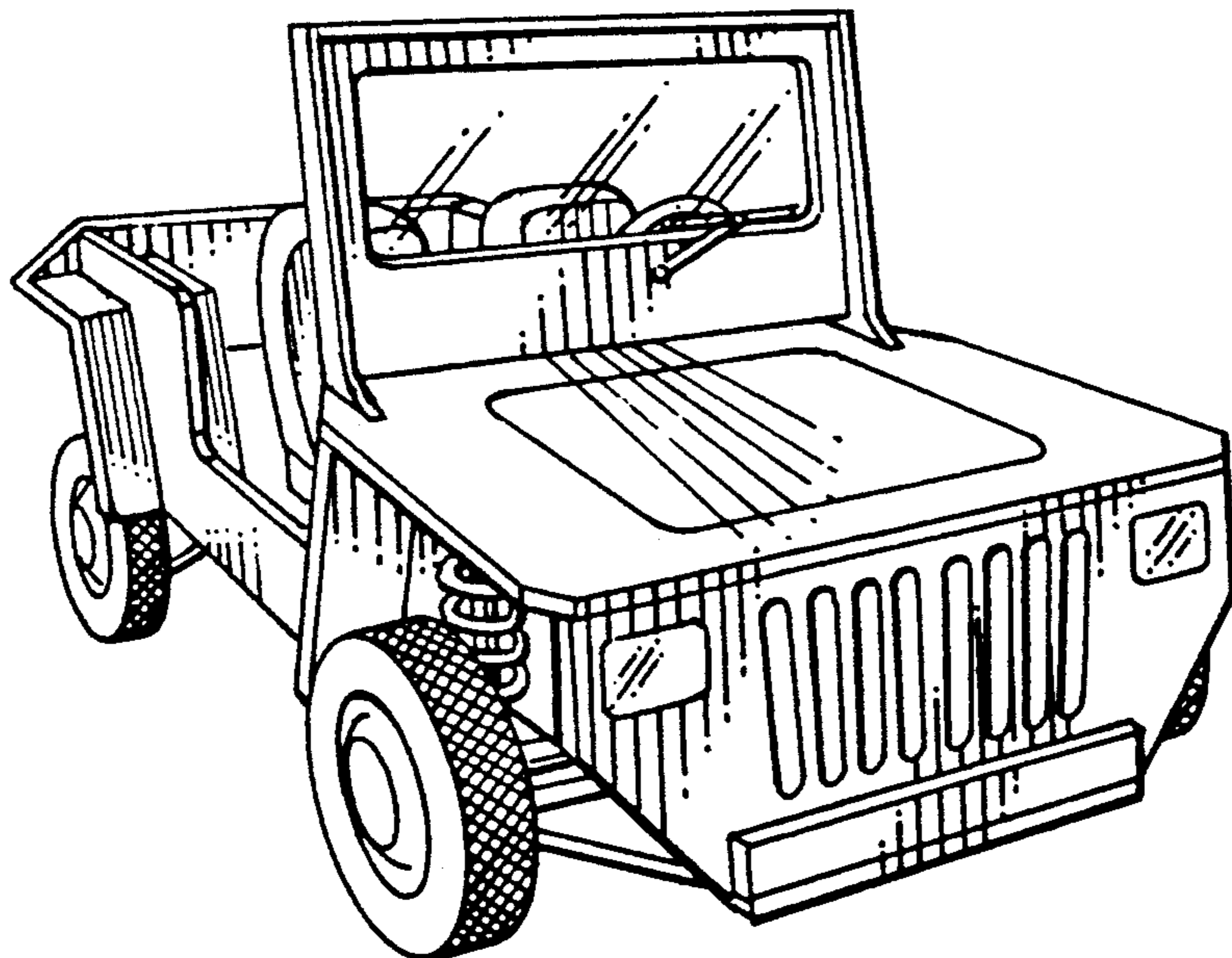
[58] Field of Search **D12/86, 87, 92;**

FIG. 3 is a rear view;

296/185, 186

FIG. 4 is a side view; and,

FIG. 5 is a top view.



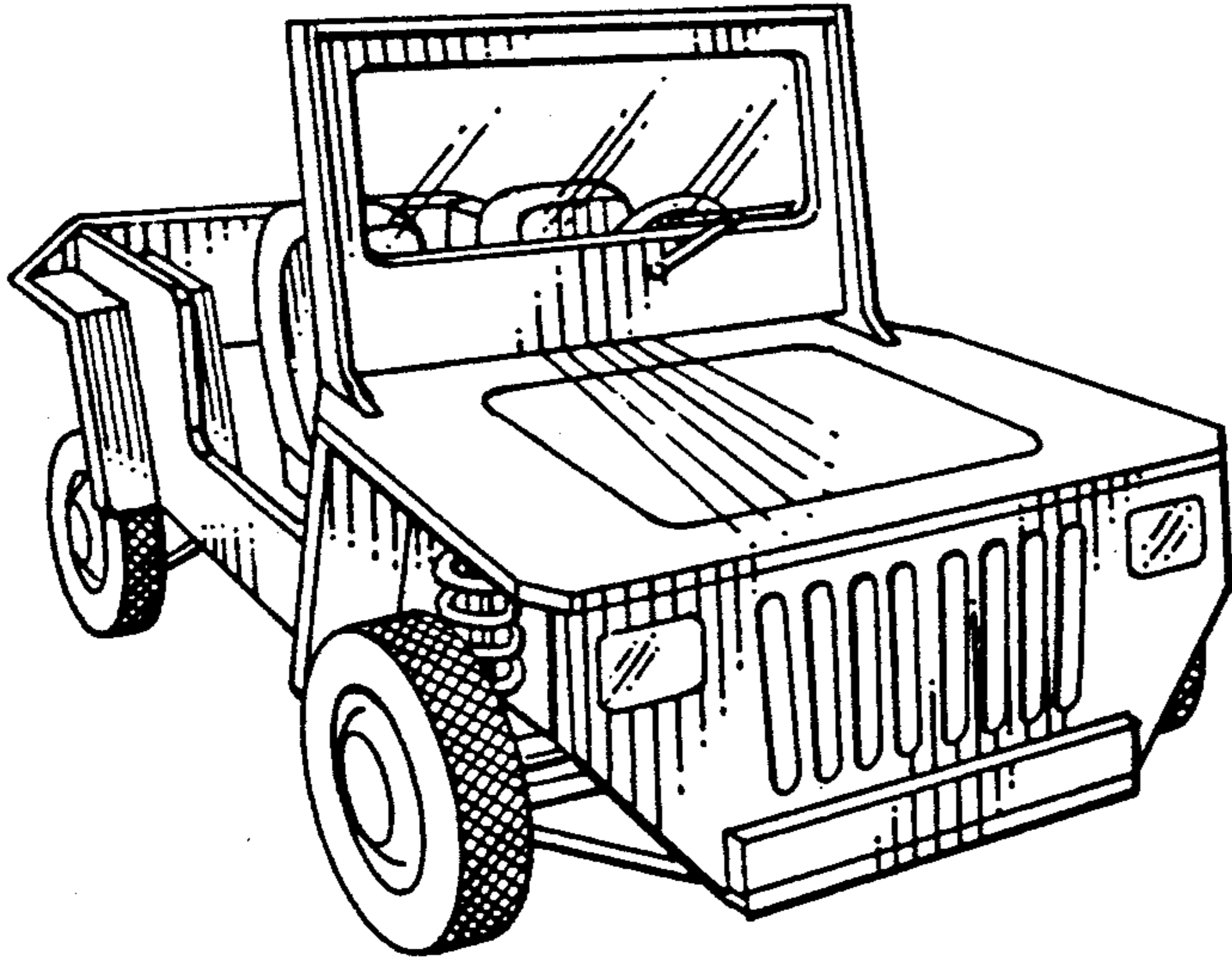


FIG. 1

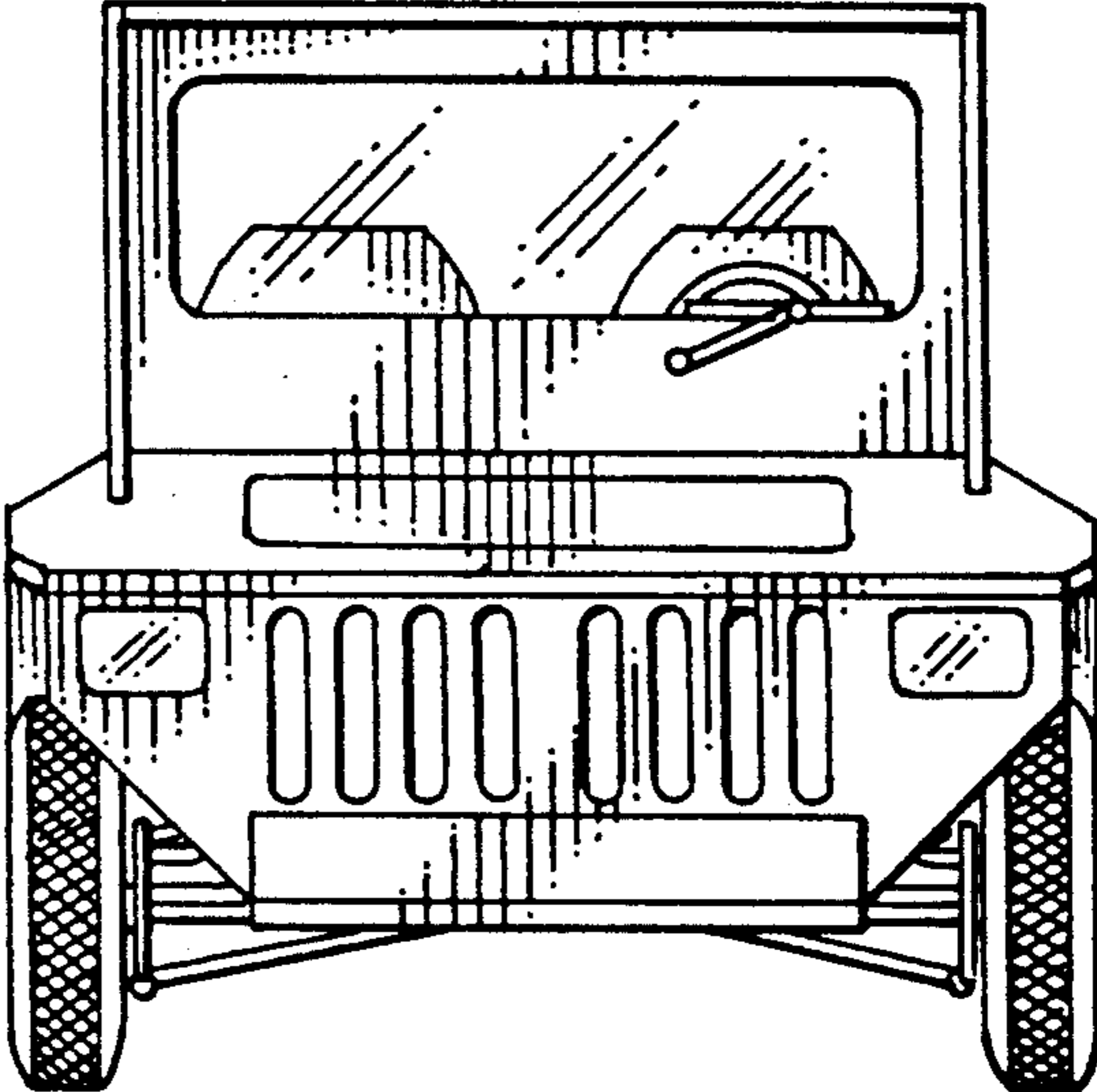


FIG. 2

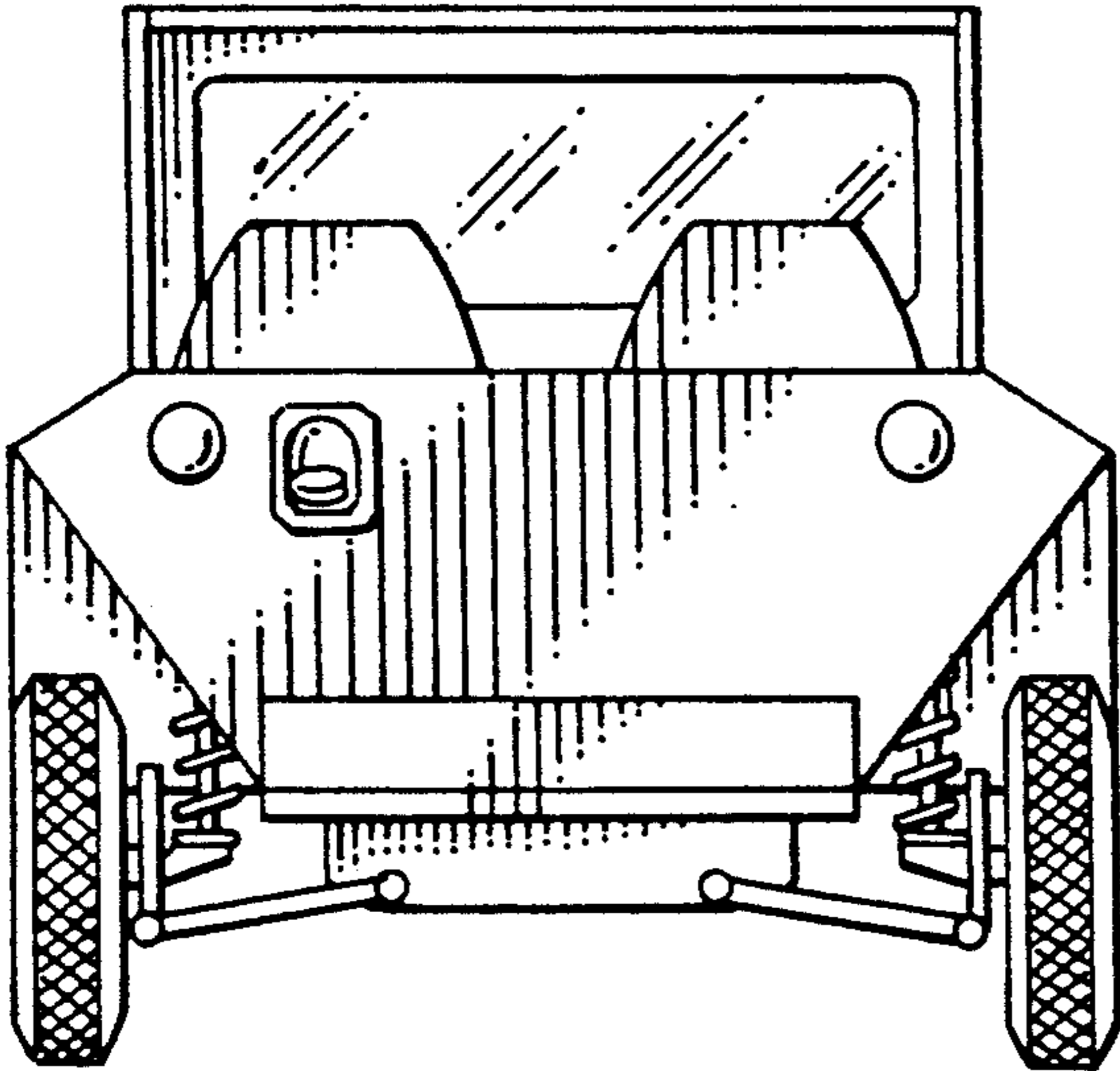


FIG. 3

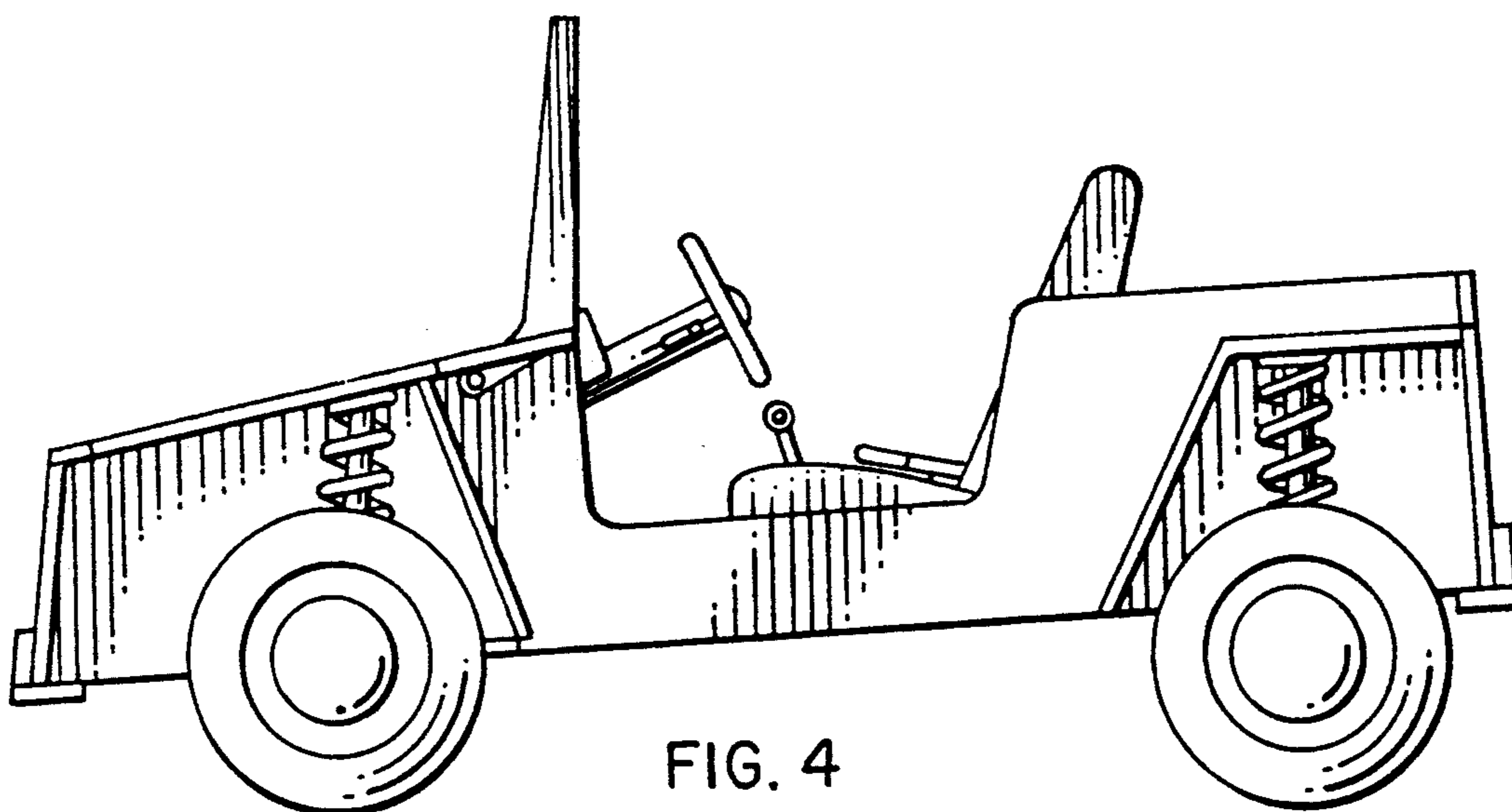


FIG. 4

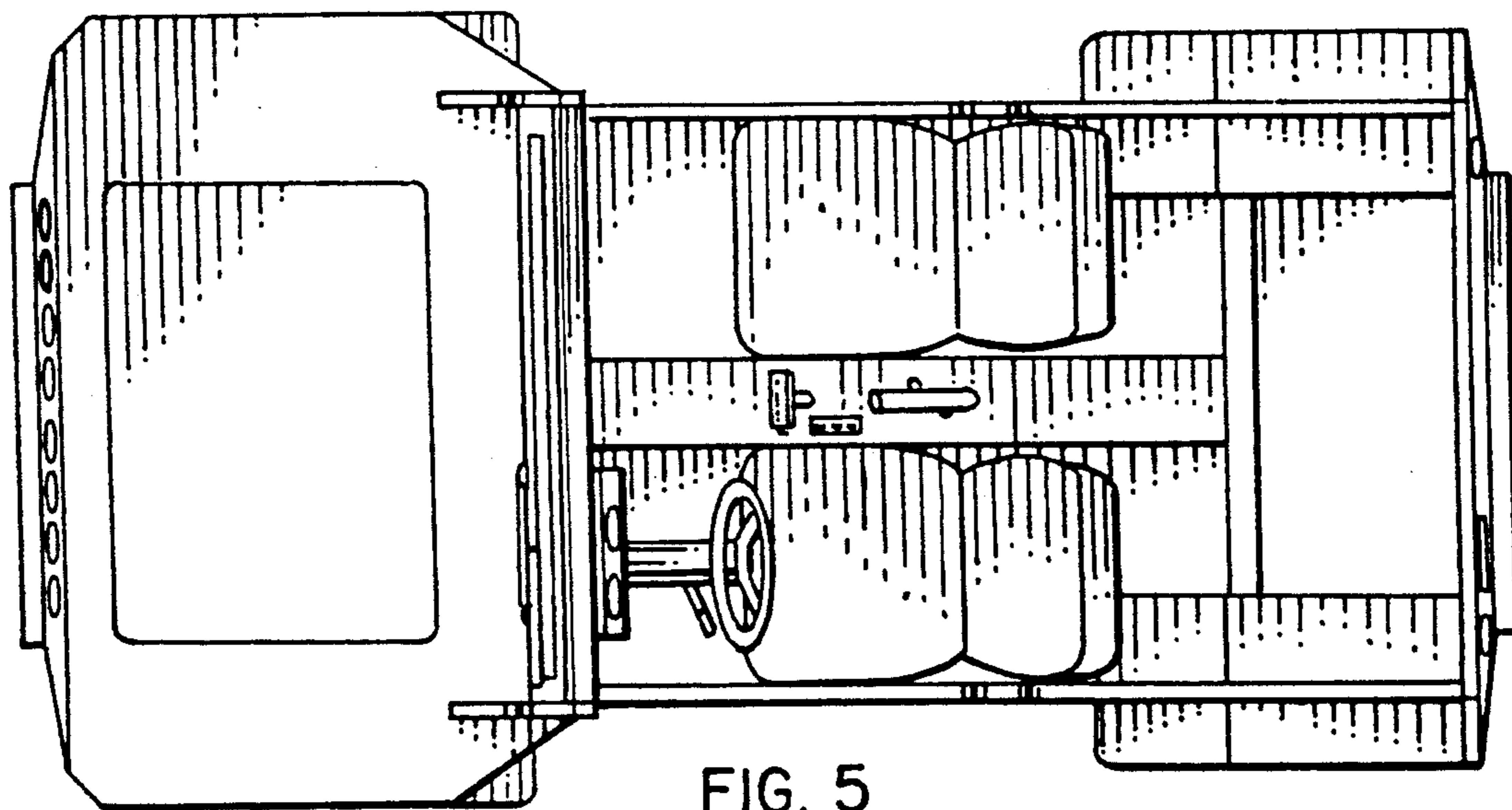


FIG. 5