



US00D340206S

United States Patent [19]

[11] Patent Number: **Des. 340,206**

Bonney

[45] Date of Patent: **** Oct. 12, 1993**

[54] **CHRISTMAS TREE BASE COVER**

[76] Inventor: **Billy M. Bonney, 1902 N. Carrier Pkwy., Grand Prairie, Tex. 75050**

[**] Term: **14 Years**

[21] Appl. No.: **883,710**

[22] Filed: **May 14, 1992**

[52] U.S. Cl. **D11/130.1**

[58] Field of Search **D11/130.1; D17/22; D21/64; 47/40.5; 84/411 R, 411 A, 413**

D. 269,571	6/1981	Geshwind	D6/105
D. 310,499	12/1990	Grzebyk	D11/130.1
D. 311,018	7/1990	Corder	D17/22
D. 329,208	9/1992	Bowling et al.	D11/130.1
795,034	7/1905	Harris	84/413
889,762	3/1908	Converse	84/411

Primary Examiner—Bernard Ansher
Assistant Examiner—Dominic Simone

[57] **CLAIM**

The ornamental design for a christmas tree base cover, as shown.

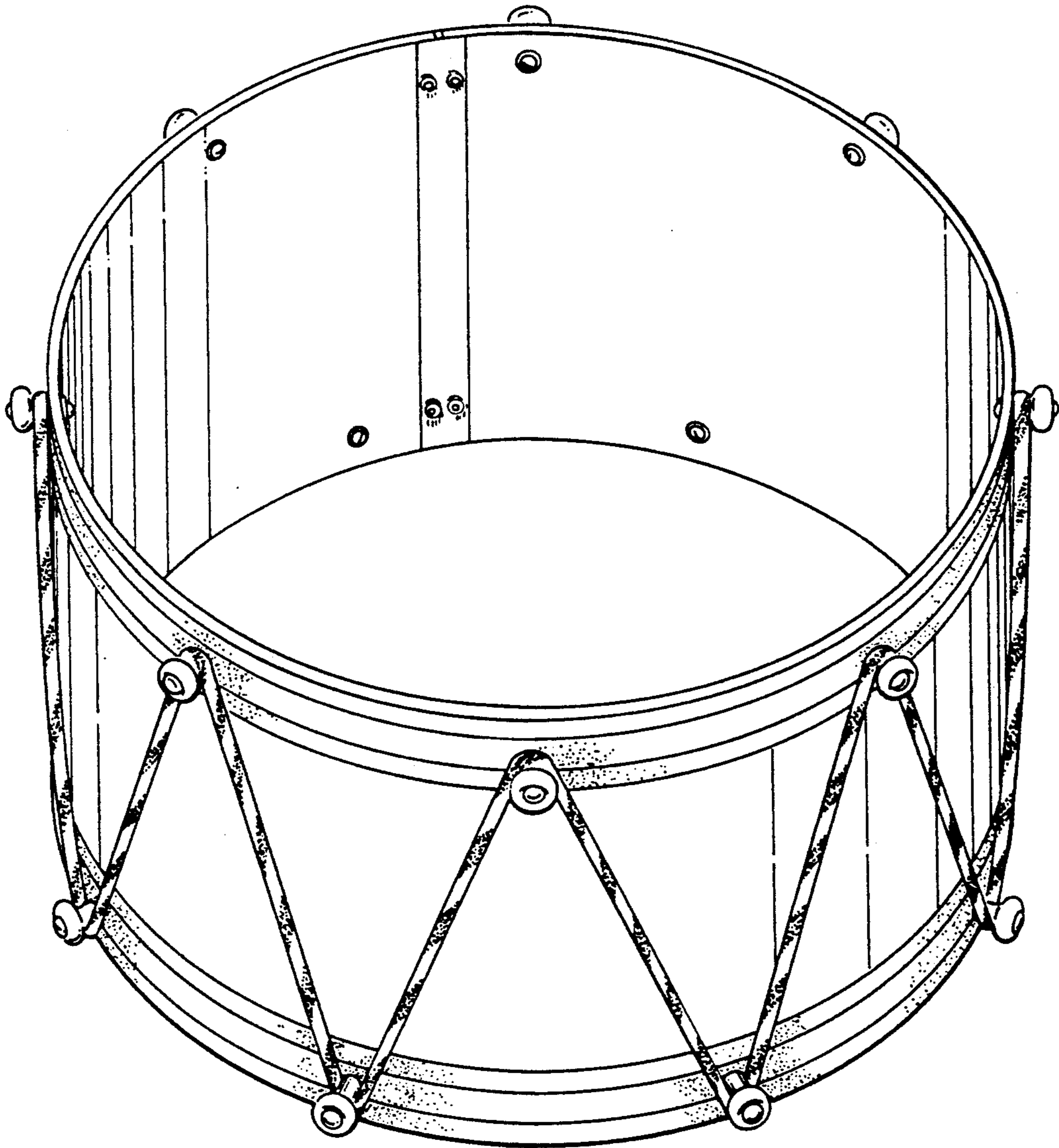
[56] **References Cited**

U.S. PATENT DOCUMENTS

D. 26,082	1/1896	Cooley	D17/22
D. 27,155	4/1897	Noble	D17/22
D. 115,902	9/1939	Barton	D11/130.1

DESCRIPTION

FIG. 1 is a side elevational view of a christmas tree base cover showing my new design; FIG. 2 is a top plan view thereof; and, FIG. 3 is a perspective thereof.



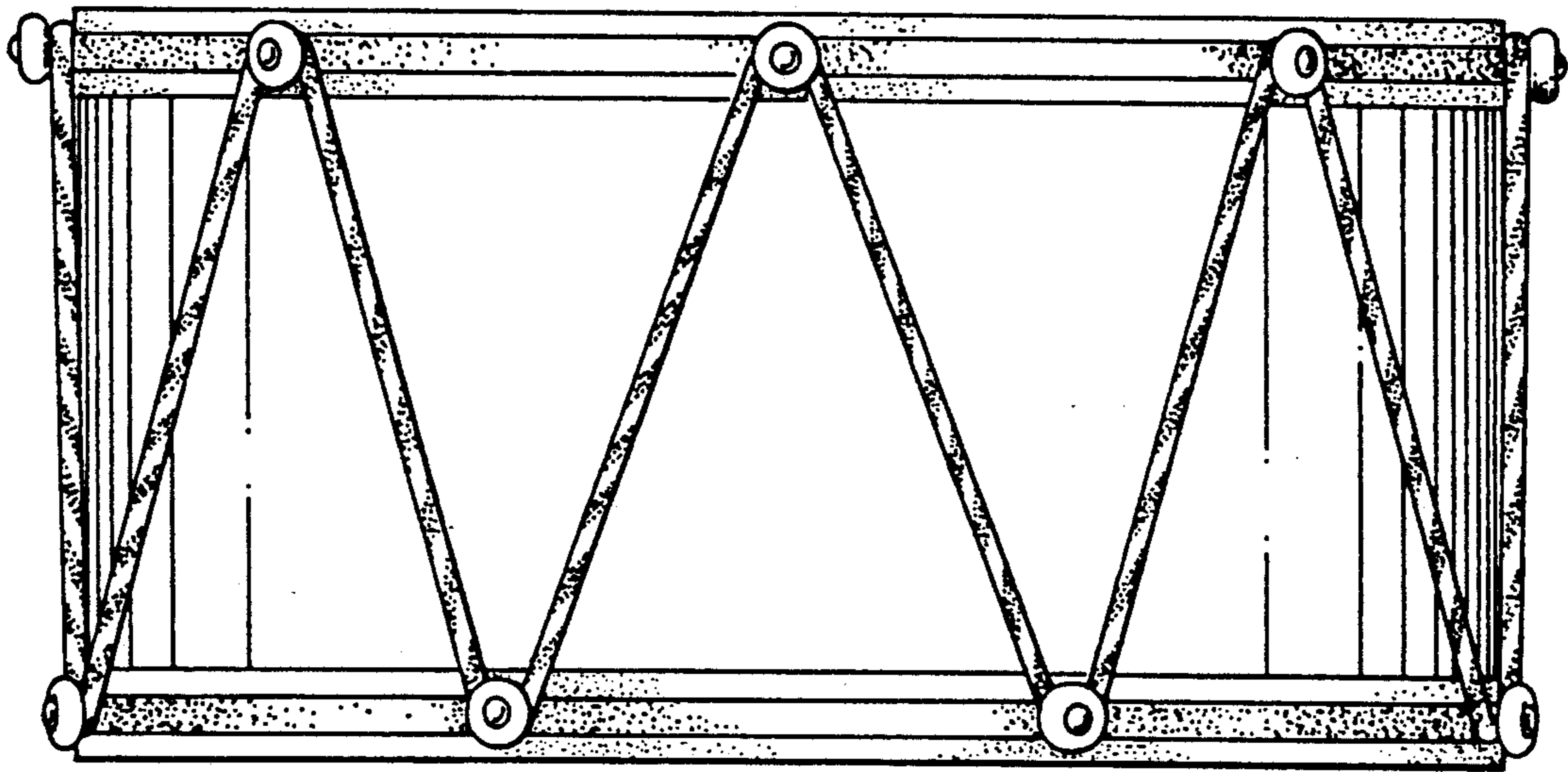


FIG. 1

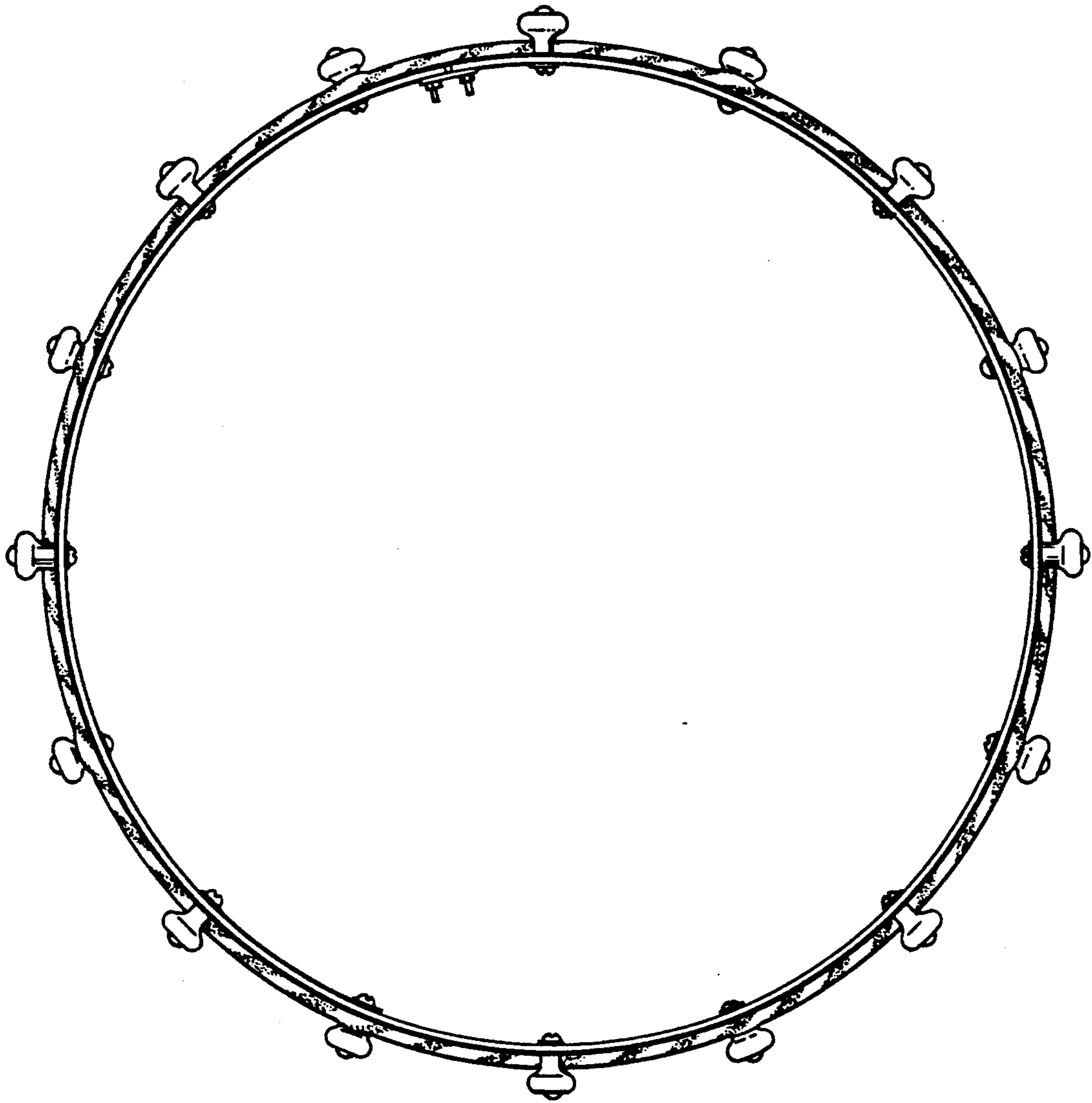


FIG. 2

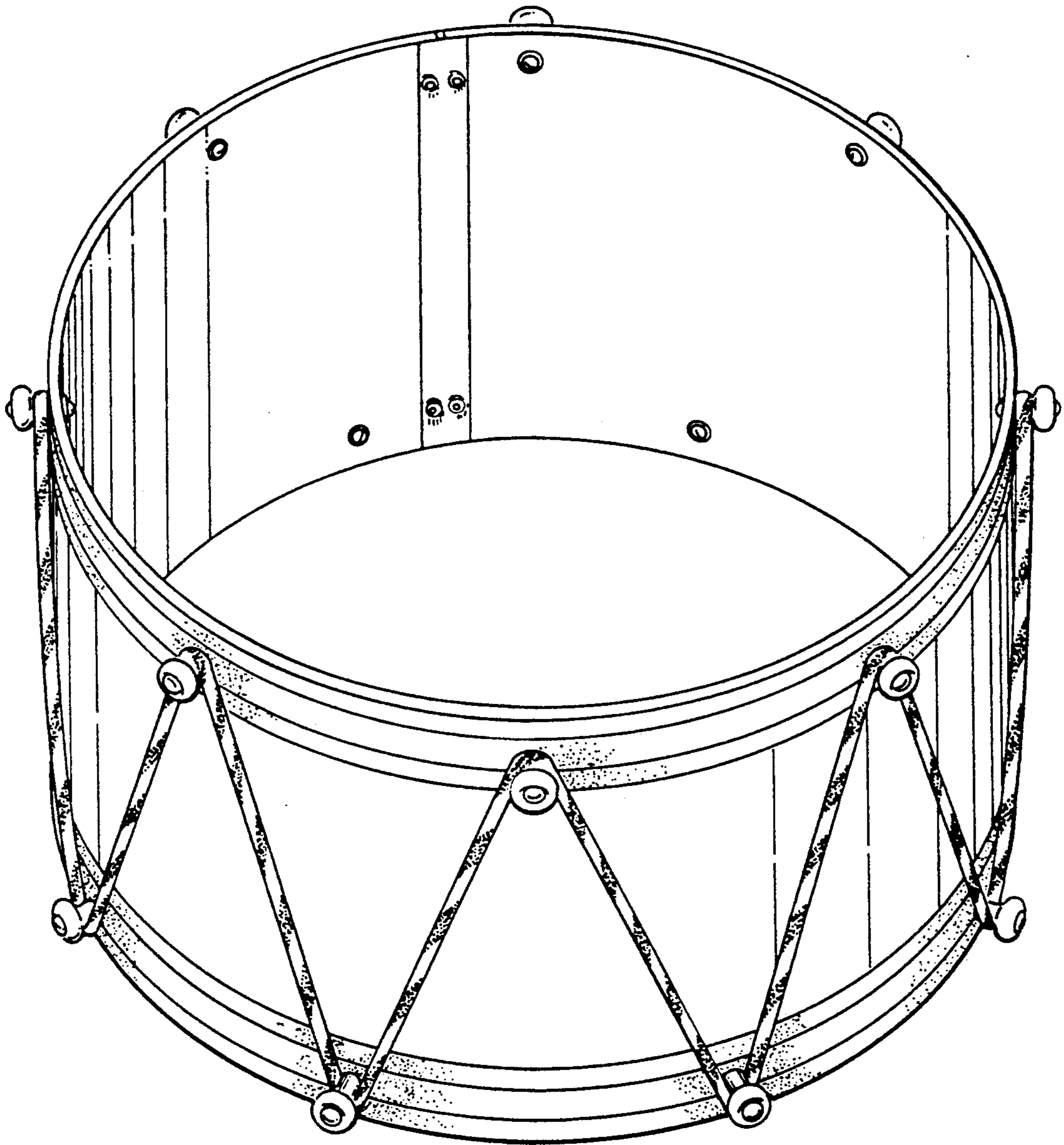


FIG. 3