



US00D340204S

United States Patent [19]

[11] Patent Number: **Des. 340,204**

Grosfillex

[45] Date of Patent: **** Oct. 12, 1993**

[54] COMBINED PLANTER AND TRAY

[75] Inventor: **Raymond Grosfillex, Oyonnax, France**

[73] Assignee: **Grosfillex Sarl, Oyonnax, France**

[*] Notice: **The portion of the term of this patent subsequent to Aug. 17, 2007 has been disclaimed.**

[**] Term: **14 Years**

[21] Appl. No.: **607,058**

[22] Filed: **Oct. 31, 1990**

[30] Foreign Application Priority Data

May 15, 1990 [WO] World Int. Prop.
O. DMA/001237

[52] U.S. Cl. **D11/155; D11/164**

[58] Field of Search **D11/143, 152, 153, 155, D11/156, 164; 47/66, 68, 71, 72, 79**

[56] References Cited

U.S. PATENT DOCUMENTS

D. 118,230	12/1939	Fader	D11/156
D. 198,040	4/1964	Bonham et al.	D11/152
D. 252,869	9/1979	Dziewulski	D11/156
4,442,629	4/1984	Anderson	47/71

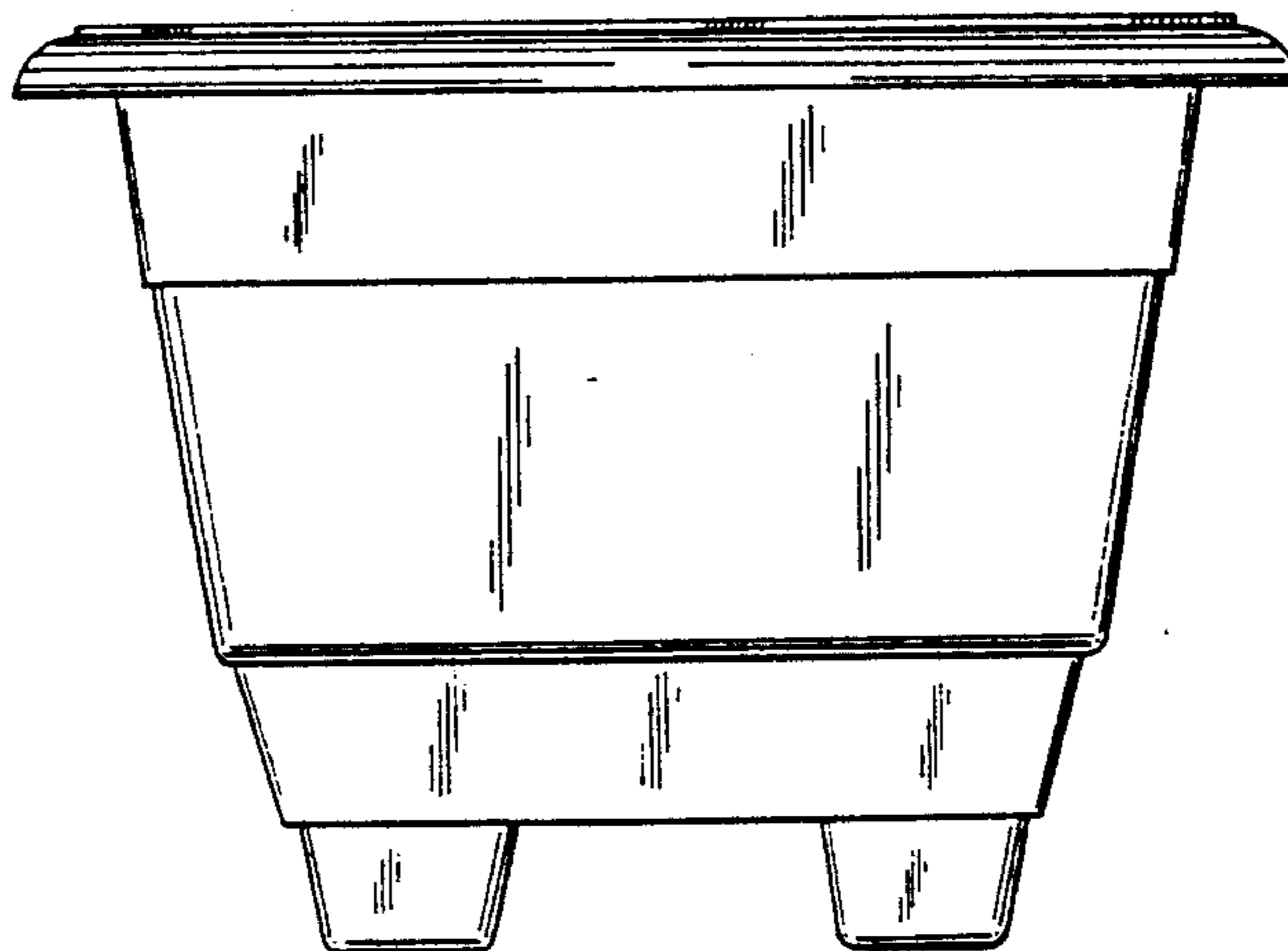
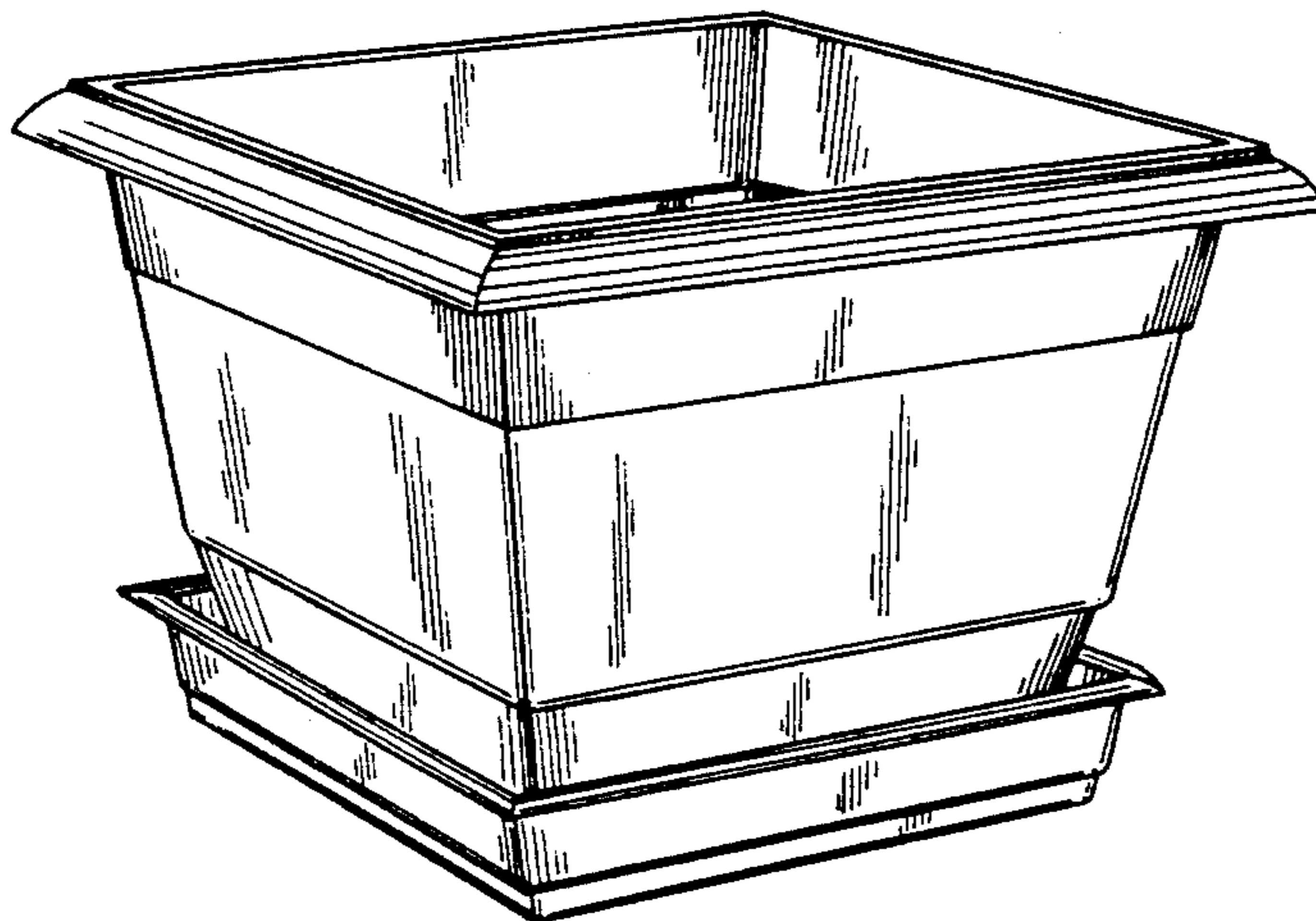
Primary Examiner—**B. J. Bullock**
Attorney, Agent, or Firm—**Dowell & Dowell**

[57] CLAIM

The ornamental design for a combined planter and tray, as shown and described.

DESCRIPTION

FIG. 1 is a front perspective view of a combined planter and tray showing my new design; FIG. 2 is a front elevational view thereof, with views taken from the sides and rear being the same; FIG. 3 is a bottom plan view thereof; FIG. 4 is a front perspective view of the planter alone shown for clarity; FIG. 5 is a front elevational view of the planter alone; FIG. 6 is a top plan view of the planter alone; and, FIG. 7 is a bottom plan view of the planter alone.



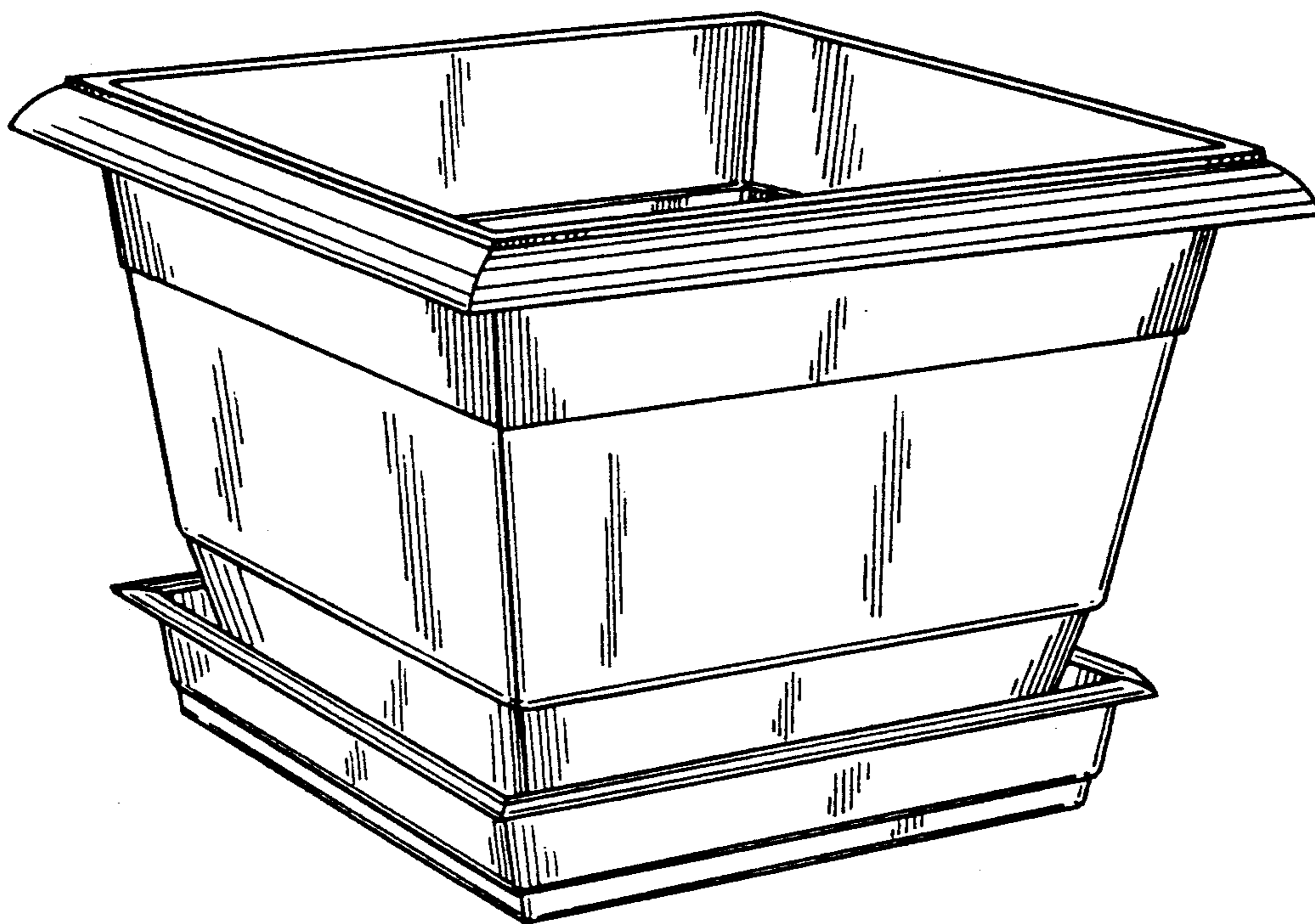


FIG. 1

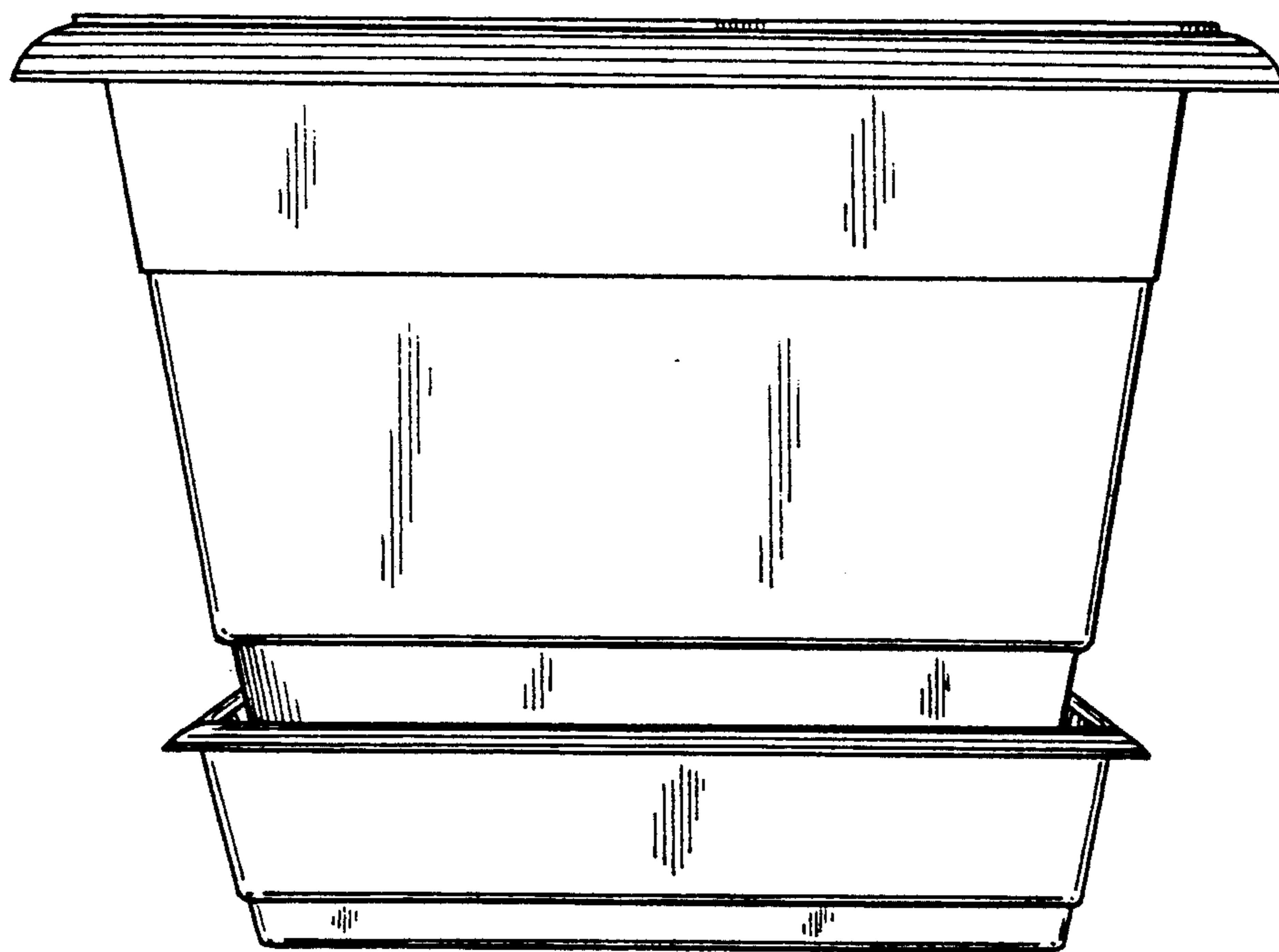


FIG. 2

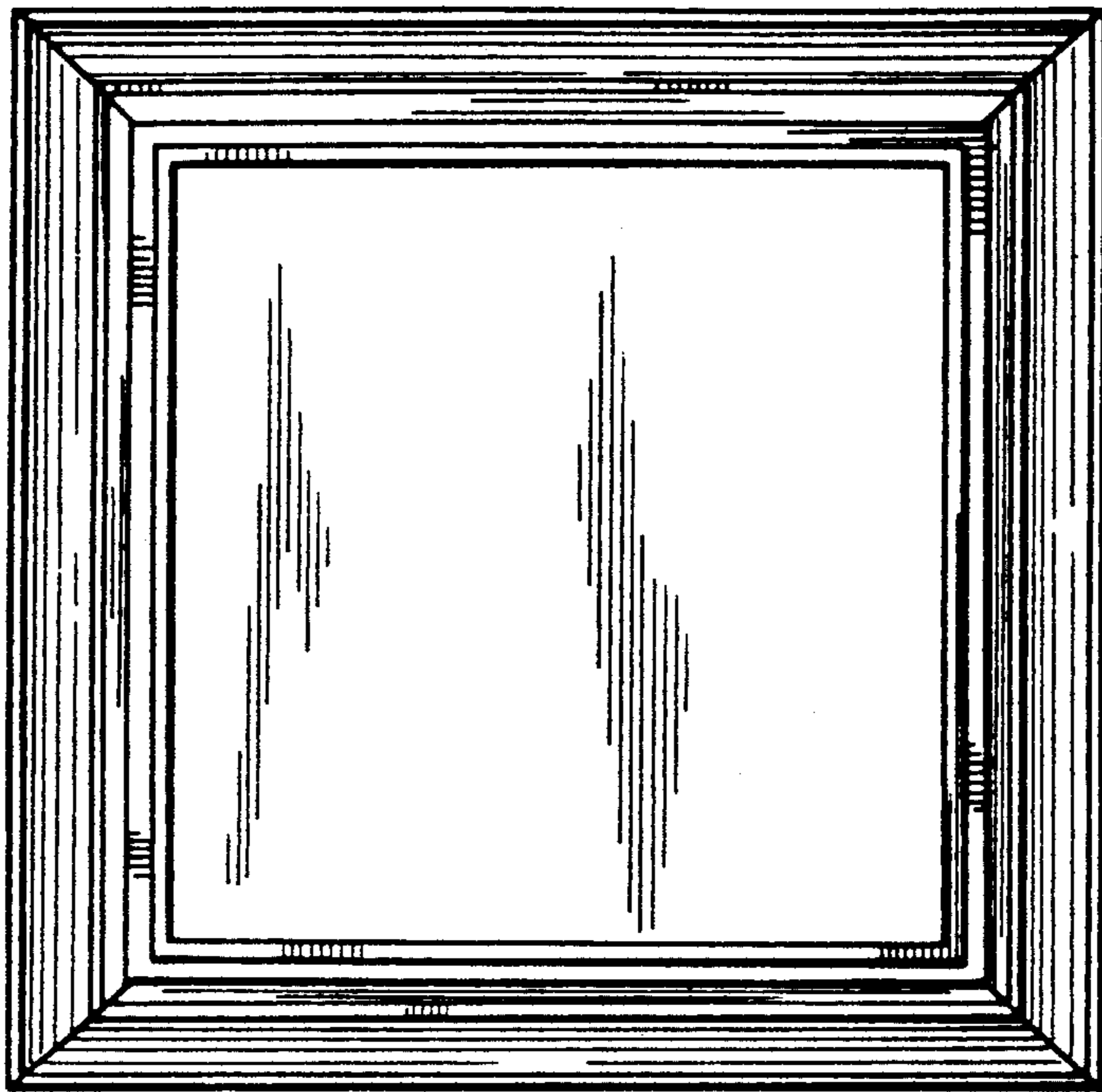


FIG. 3

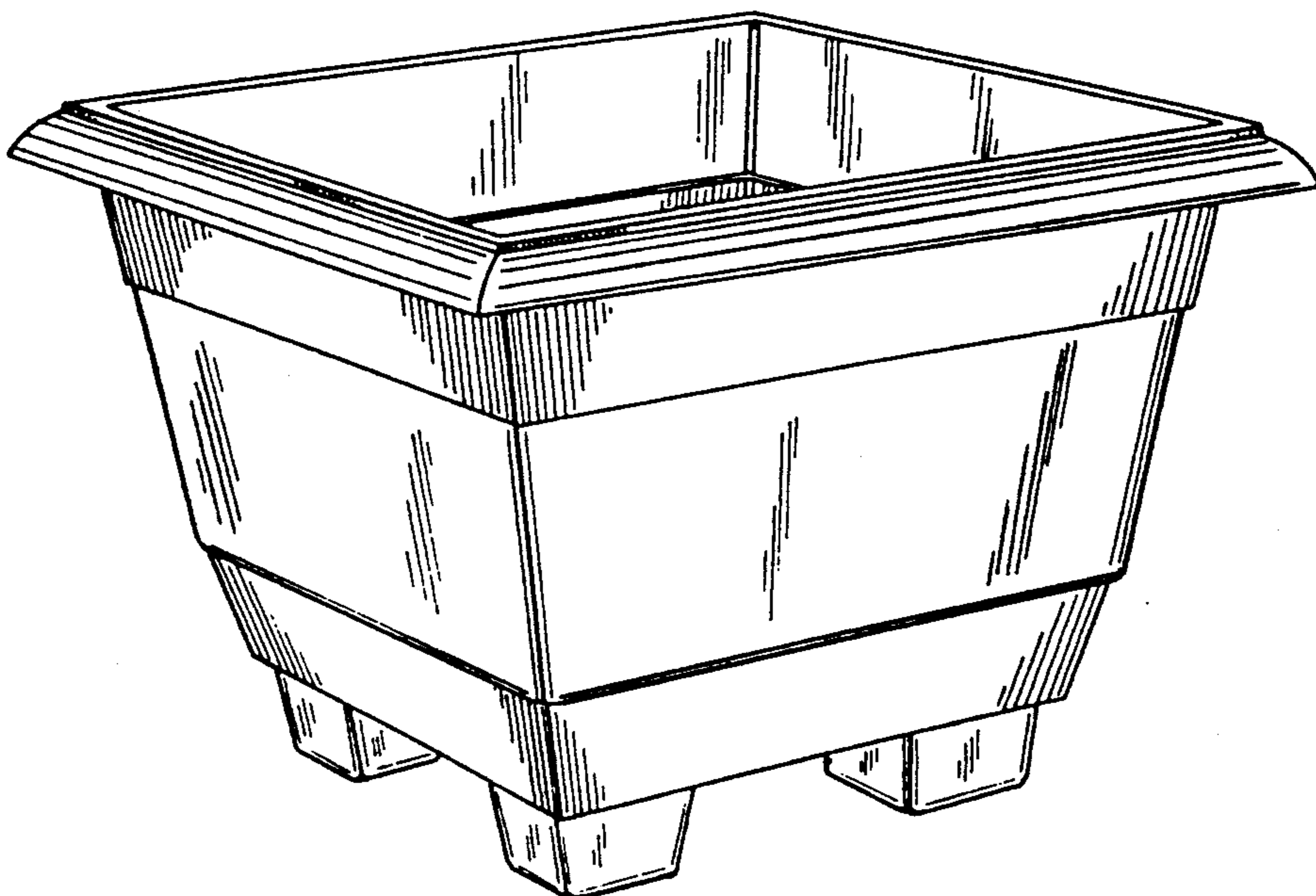


FIG. 4

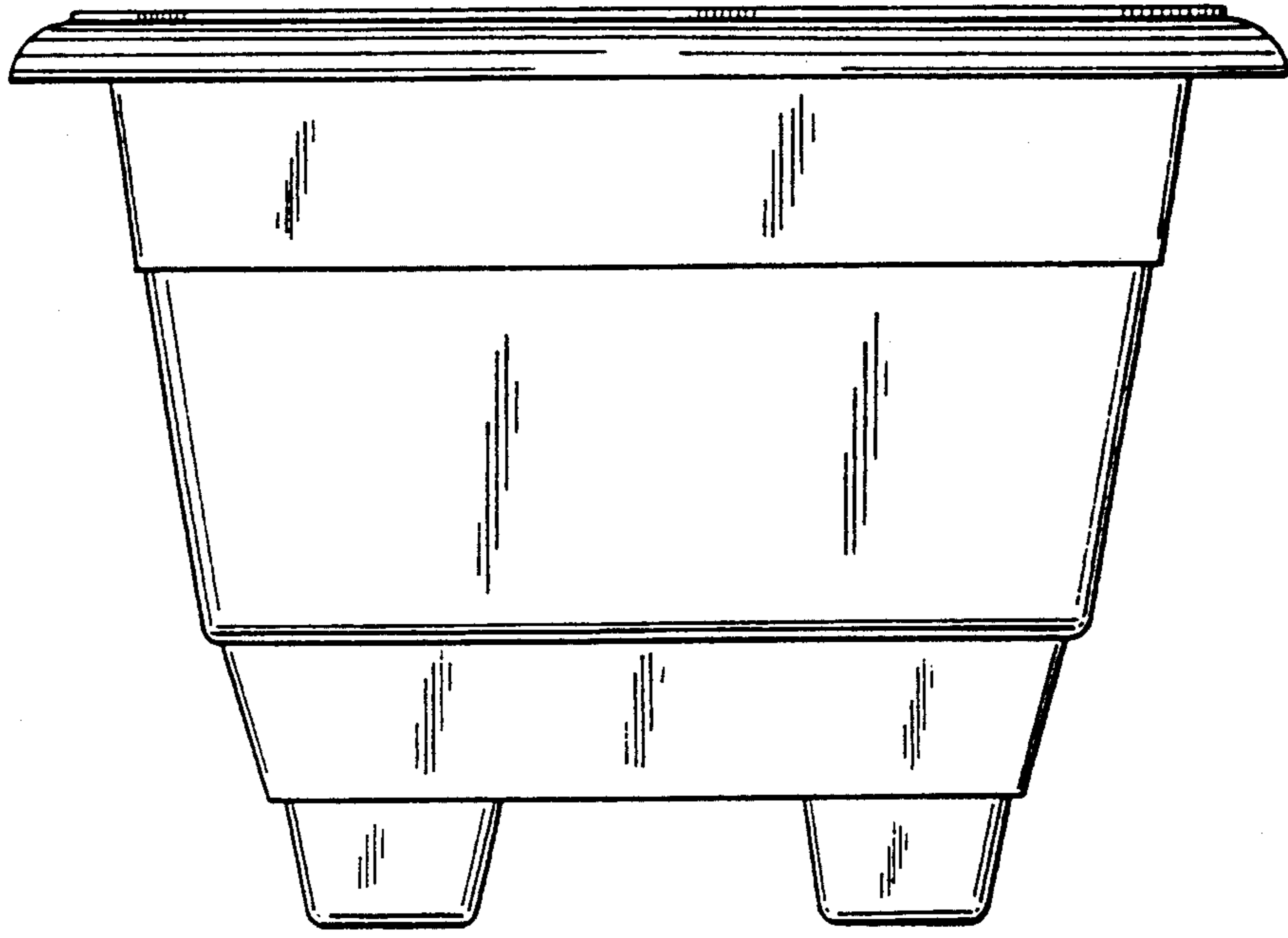


FIG. 5

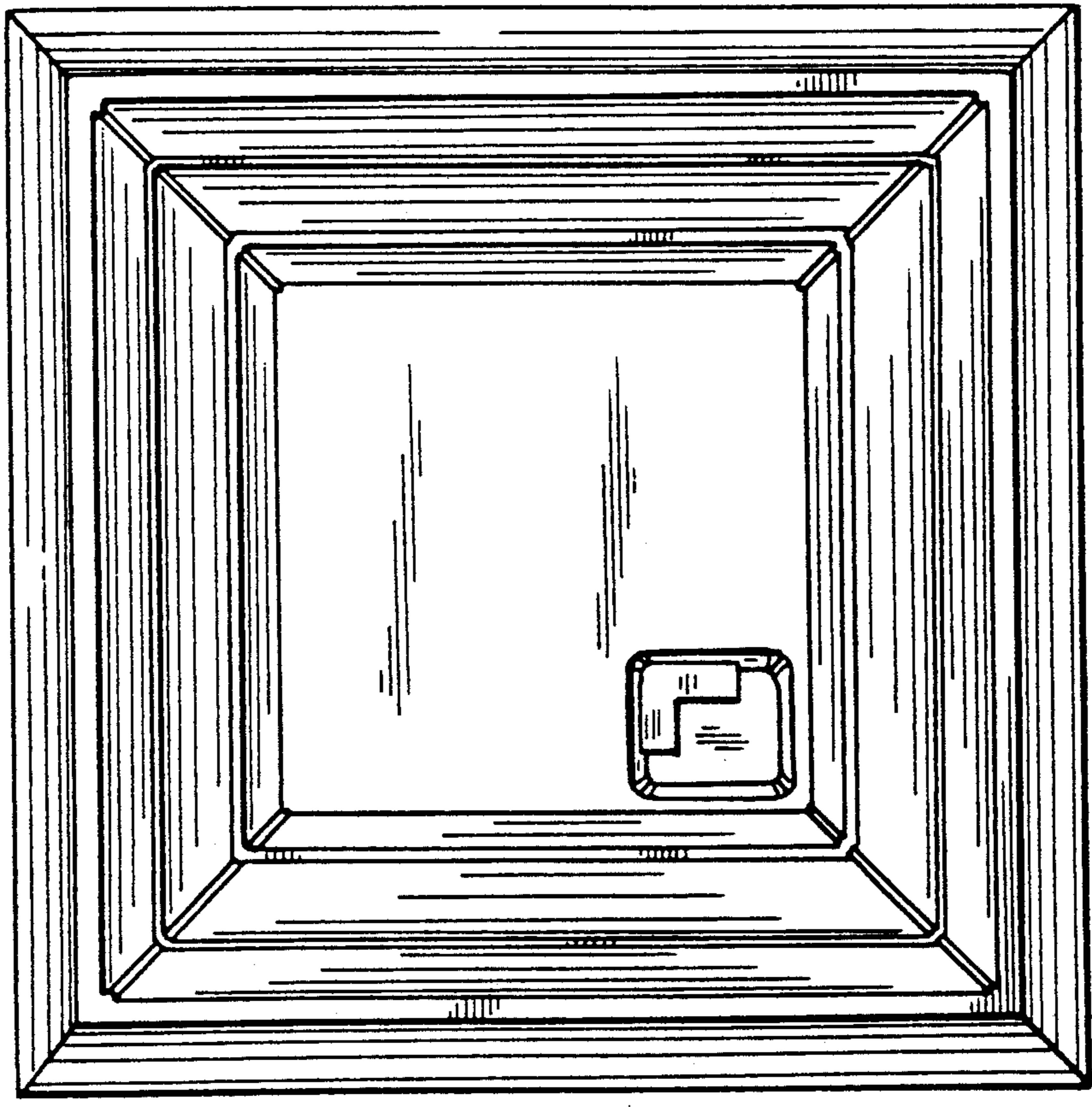


FIG. 6

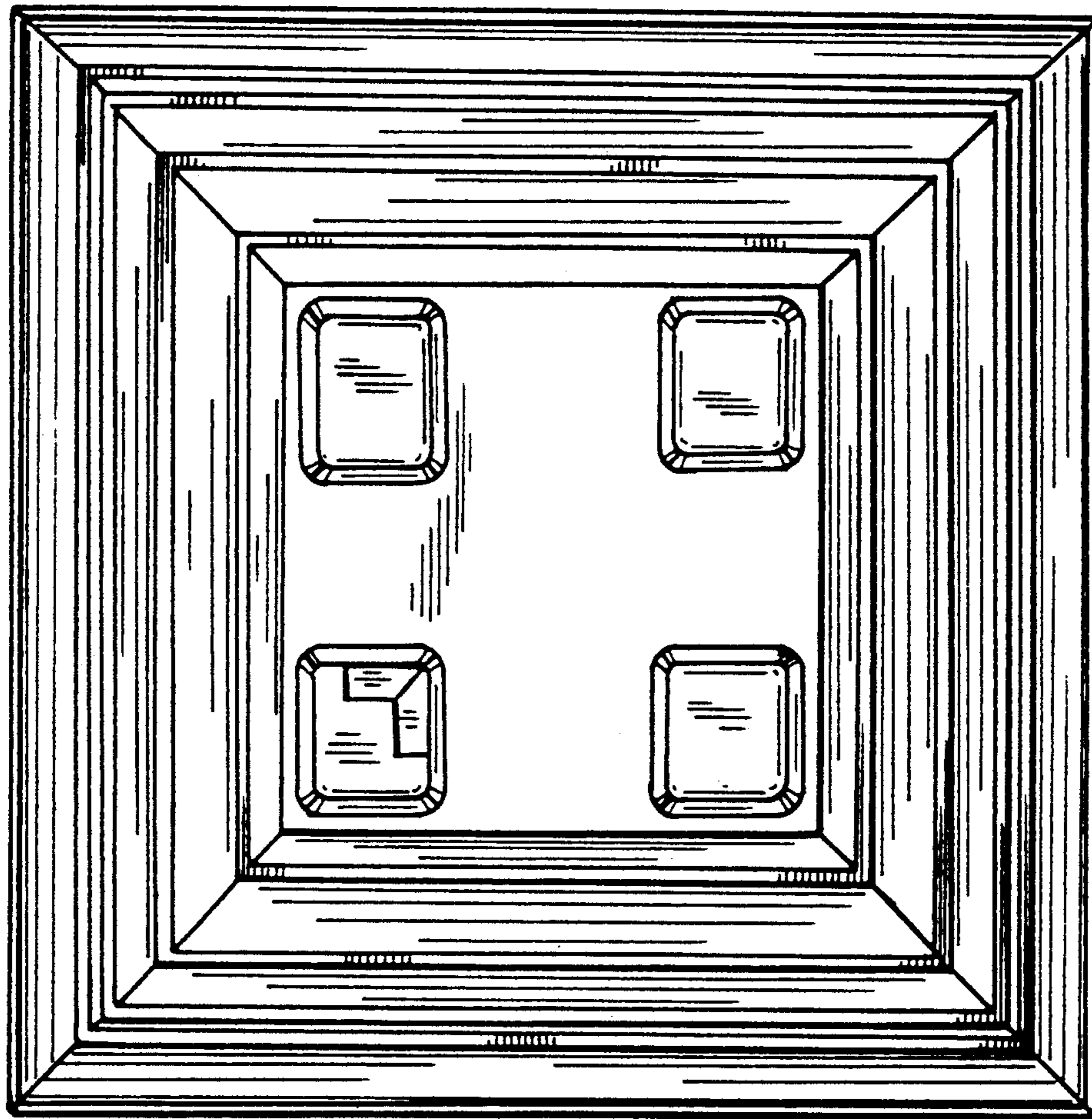


FIG. 7