



US00D340201S

United States Patent [19]

[11] Patent Number: Des. 340,201

Fenne et al.

[45] Date of Patent: ** Oct. 12, 1993

[54] **SMOKE DETECTOR**

[75] Inventors: **Kenneth R. Fenne, Glen Ellyn; Lee Tice, Bartlett, both of Ill.**

[73] Assignee: **Pittway Corporation, Chicago, Ill.**

[**] Term: **14 Years**

[21] Appl. No.: **942,522**

[22] Filed: **Sep. 9, 1992**

[52] U.S. Cl. **D10/106**

[58] Field of Search **D10/104, 106, 121; 340/571, 572, 628, 636, 640, 641**

[56] **References Cited**

U.S. PATENT DOCUMENTS

D. 249,481	9/1978	Conforti et al.	D10/106
D. 249,482	9/1978	Conforti et al.	D10/106
D. 249,483	9/1978	Conforti et al.	D10/106
D. 253,525	11/1979	Wilson	D10/106
D. 258,353	2/1981	Mango et al.	D10/106
D. 261,997	11/1981	Westphal	D10/106
D. 262,868	2/1982	Westphal	D10/106
D. 262,952	2/1982	Hanig	D10/106
D. 271,287	11/1983	Fenne	D10/106
D. 271,670	12/1983	Takai et al.	D10/106
D. 276,417	11/1984	Fenne	D10/106
D. 283,407	4/1986	Fenne	D10/106
D. 284,748	7/1986	Fenne	D10/106
D. 306,409	3/1990	Fish	D10/106
D. 308,835	6/1990	Fenne	D10/106
D. 316,828	5/1991	Amemiya et al.	D10/106
D. 319,798	9/1991	Hatano	D10/106
D. 331,547	12/1992	Ogawa et al.	D10/106
D. 332,231	1/1993	Akimoto et al.	D10/106

OTHER PUBLICATIONS

System Sensor, Model 1800 2-Wire Systems Detectors, 2 pg. brochure, May 1988.
System Sensor, 400 Serial Next Generation Detectors, 2 pg. brochure, 1991.

System Sensor, 4451E/5451E2 Plug-in Thermal Detectors; 2 pg. brochure, Jun., 1992.

System Sensor, 400 Series Ionization Smoke Detectors; 2 pg. brochure, Oct., 1991.

System Sensor, 2851B Series 2/4/6-Wire Systems Detectors, 2 pg. brochure, Oct. 1988.

System Sensor, 5551B Intelligent Fixed Temperature Thermal Sensor with Integral Communications, 2 pg. brochure, 1991.

System Sensor, 400 Series Plug-in Smoke Detectors, 4 pg. brochure, Jul. 1992.

Primary Examiner—Wallace R. Burke

Assistant Examiner—Marcus Jackson

Attorney, Agent, or Firm—Dressler, Goldsmith, Shore, Sutker & Milnamow, Ltd.

[57] **CLAIM**

The ornamental design for a smoke detector, as shown and described.

DESCRIPTION

FIG. 1 is a perspective view of a smoke detector illustrating one embodiment of our new design;

FIG. 2 is a front elevational view of the detector of FIG. 1;

FIG. 3 is a bottom plan view of the smoke detector of FIG. 1;

FIG. 4 is a perspective view of a smoke detector illustrating an alternate embodiment of our new design;

FIG. 5 is a front elevational view of the smoke detector of FIG. 4; and,

FIG. 6 is a bottom plan view of the smoke detector of FIG. 4.

The left and right side elevations of the smoke detectors of FIGS. 1 and 4 are not illustrated, as those elevations are mirror images of the respective front elevations of FIGS. 2 and 5. In addition, the backs of the detectors have not been illustrated as they are unadorned and are not part of the design.

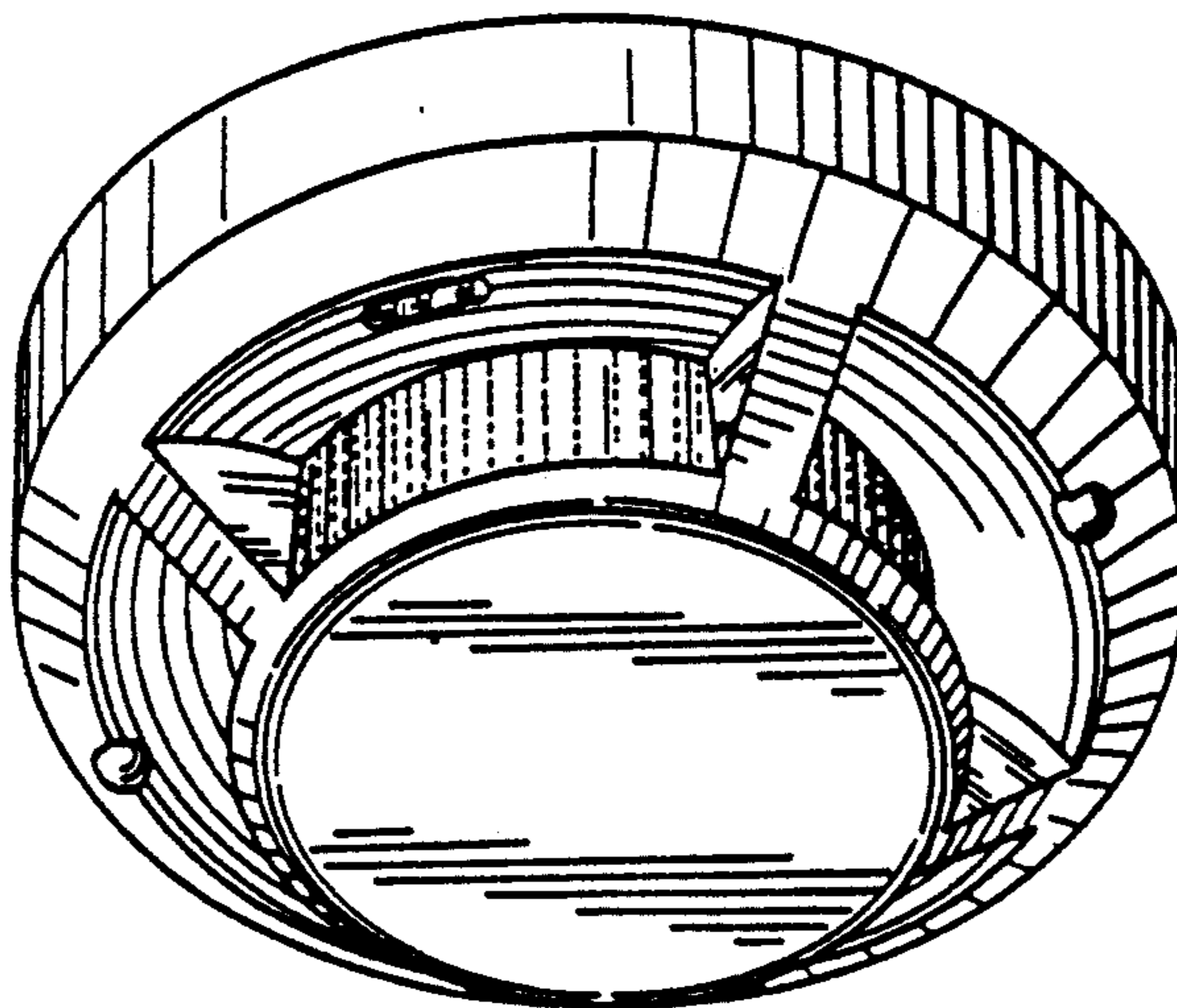


Fig. 1

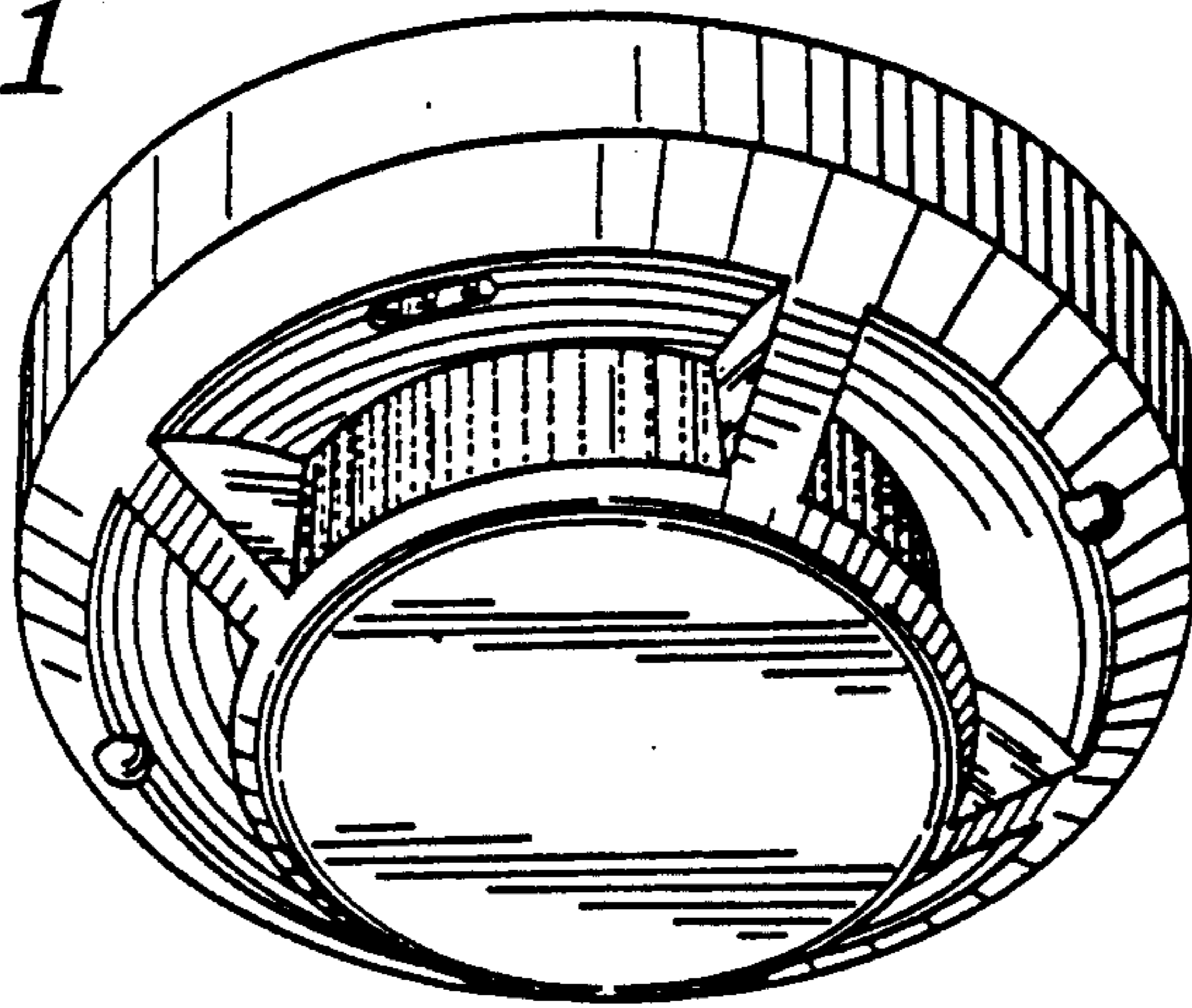


Fig. 2

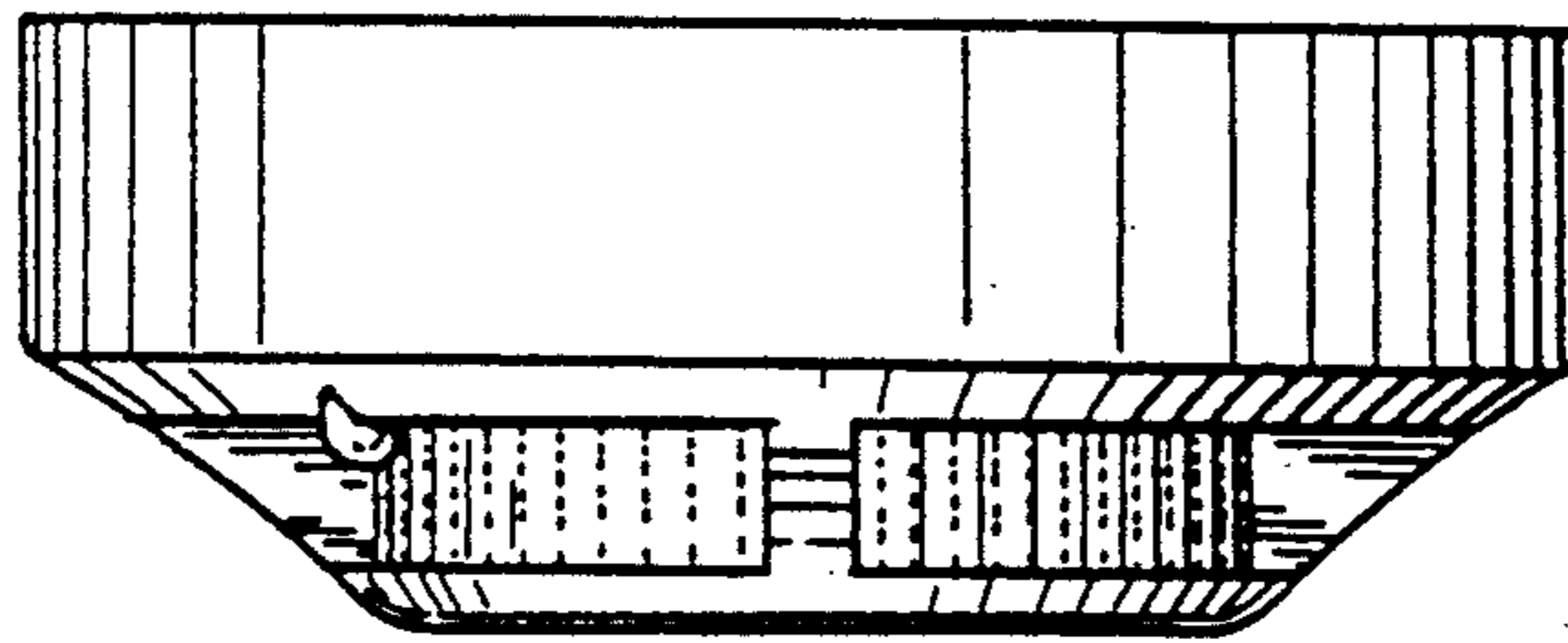


Fig. 3

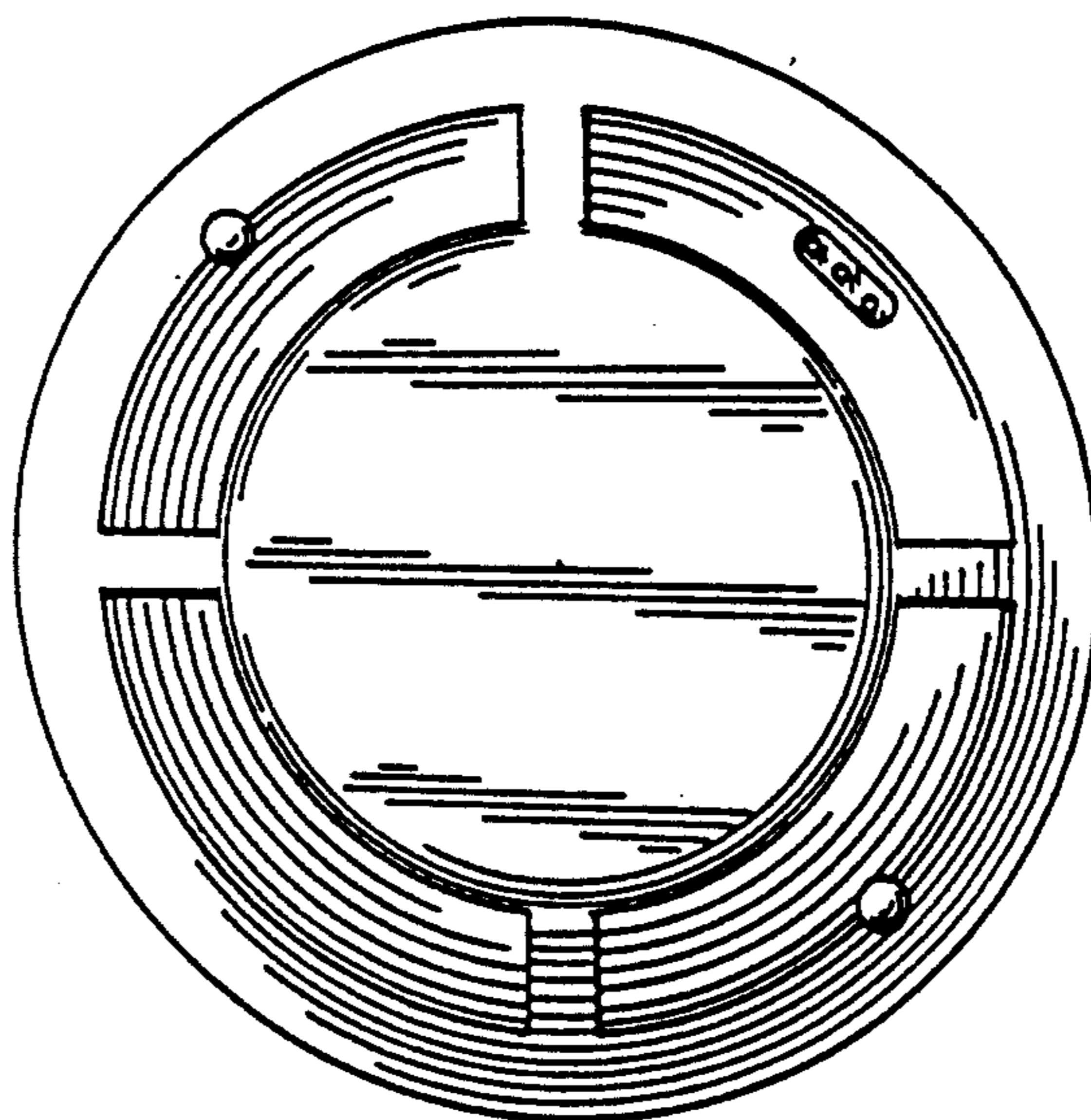


Fig. 4

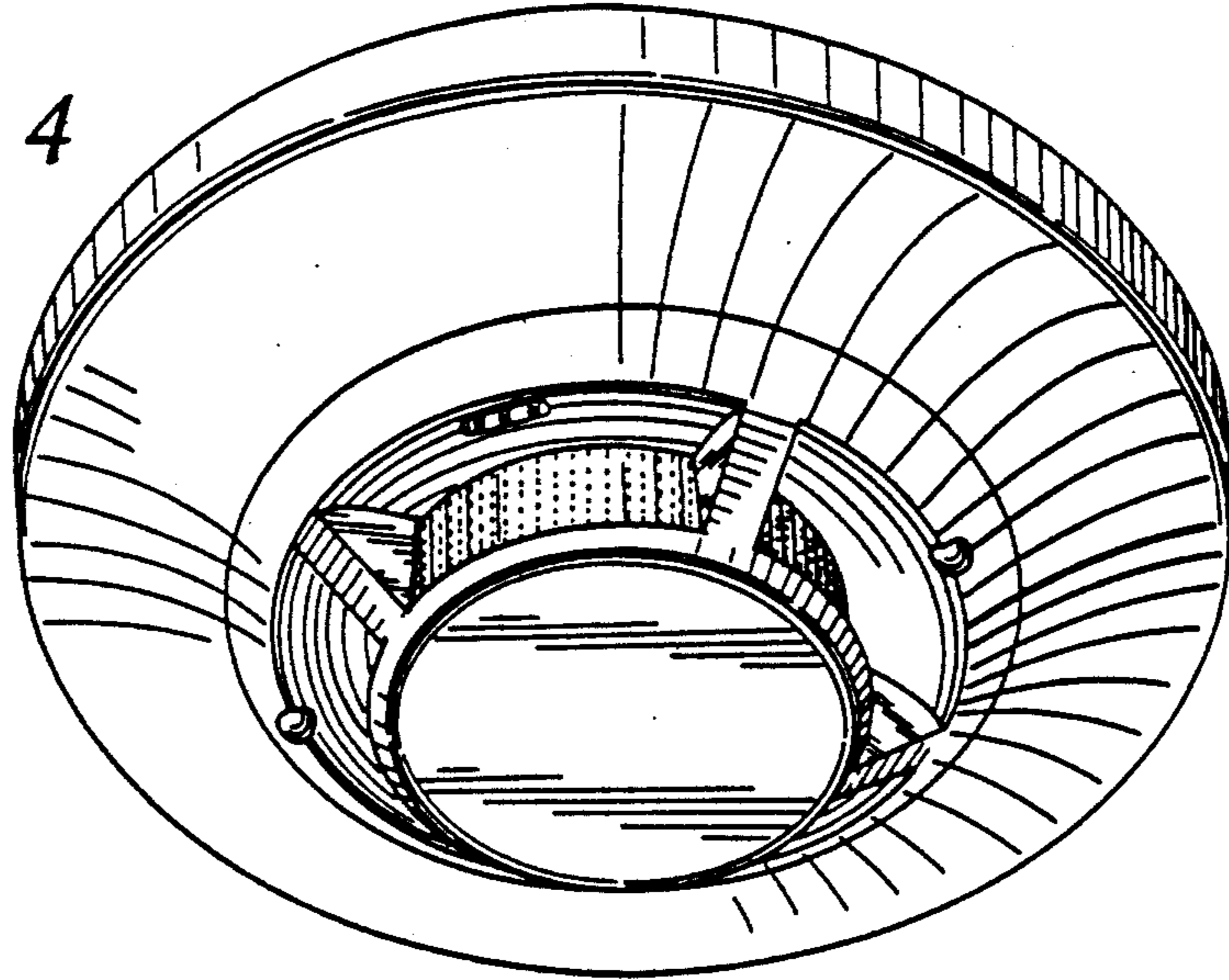


Fig. 5

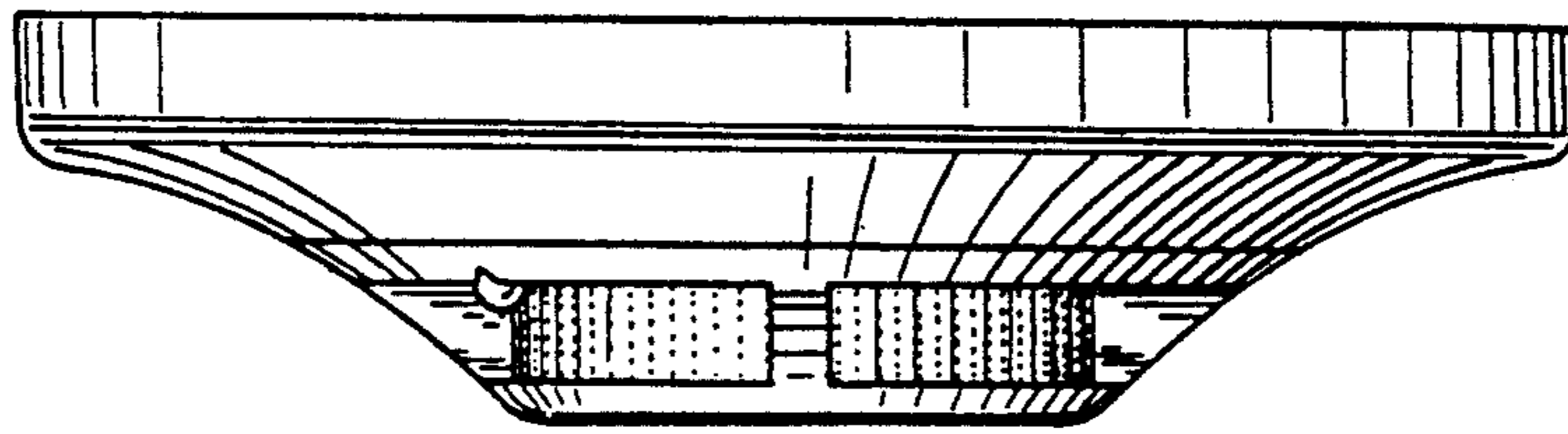


Fig. 6

