



US00D340198S

# United States Patent [19]

[11] Patent Number: **Des. 340,198**

Nakamoto et al.

[45] Date of Patent: **\*\* Oct. 12, 1993**

[54] **CHROMATOGRAPH**

D. 266,151 9/1982 Dawson ..... D10/81  
5,098,678 3/1992 Lee et al. .... 210/656 X

[75] Inventors: Akira Nakamoto, Osaka; Nobuyuki  
Tatsumi, Kyoto, both of Japan

*Primary Examiner*—Alan P. Douglas  
*Assistant Examiner*—Antoine D. Davis  
*Attorney, Agent, or Firm*—Wegner, Cantor, Mueller &  
Player

[73] Assignee: Shimadzu Corporation, Kyoto, Japan

[\*\*] Term: 14 Years

[21] Appl. No.: 744,790

[57] **CLAIM**

The ornamental design for a chromatograph, as shown  
and described.

[22] Filed: Aug. 14, 1991

[30] **Foreign Application Priority Data**

**DESCRIPTION**

Apr. 30, 1991 [JP] Japan ..... 3-12886

[52] U.S. Cl. .... D10/81

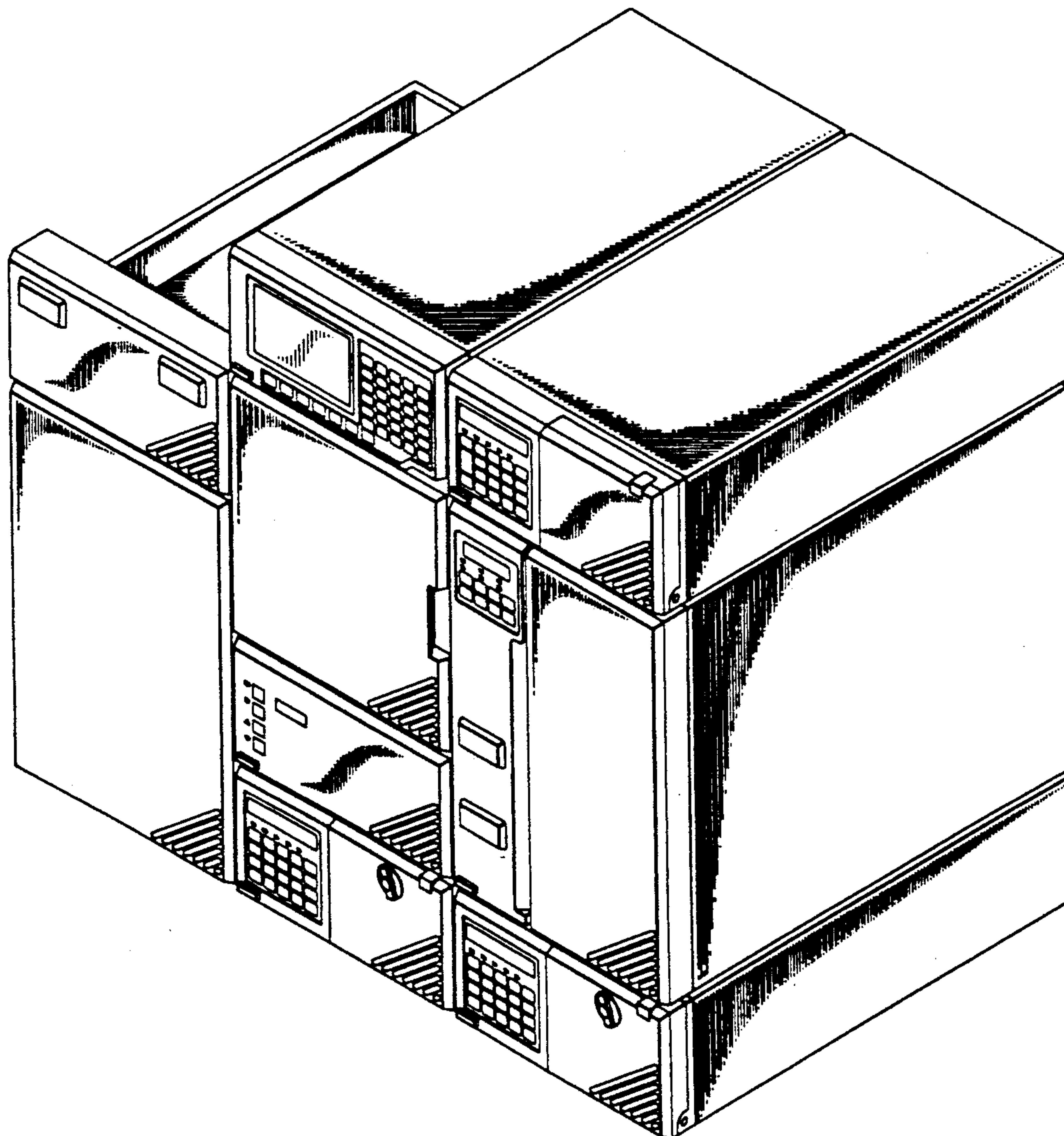
[58] Field of Search ..... D10/75, 81; 210/198.2,  
210/101, 656-659, 741; 422/68.1, 70, 82.01

FIG. 1 is a top, front, right side perspective view of an  
ornamental design for a chromatograph;  
FIG. 2 is a front view thereof;  
FIG. 3 is a top view thereof;  
FIG. 4 is a rear view thereof;  
FIG. 5 is bottom thereof;  
FIG. 6 is a right side view thereof; and,  
FIG. 7 is a left side view thereof.

[56] **References Cited**

**U.S. PATENT DOCUMENTS**

D. 211,359 6/1968 Salsgiver ..... D10/81



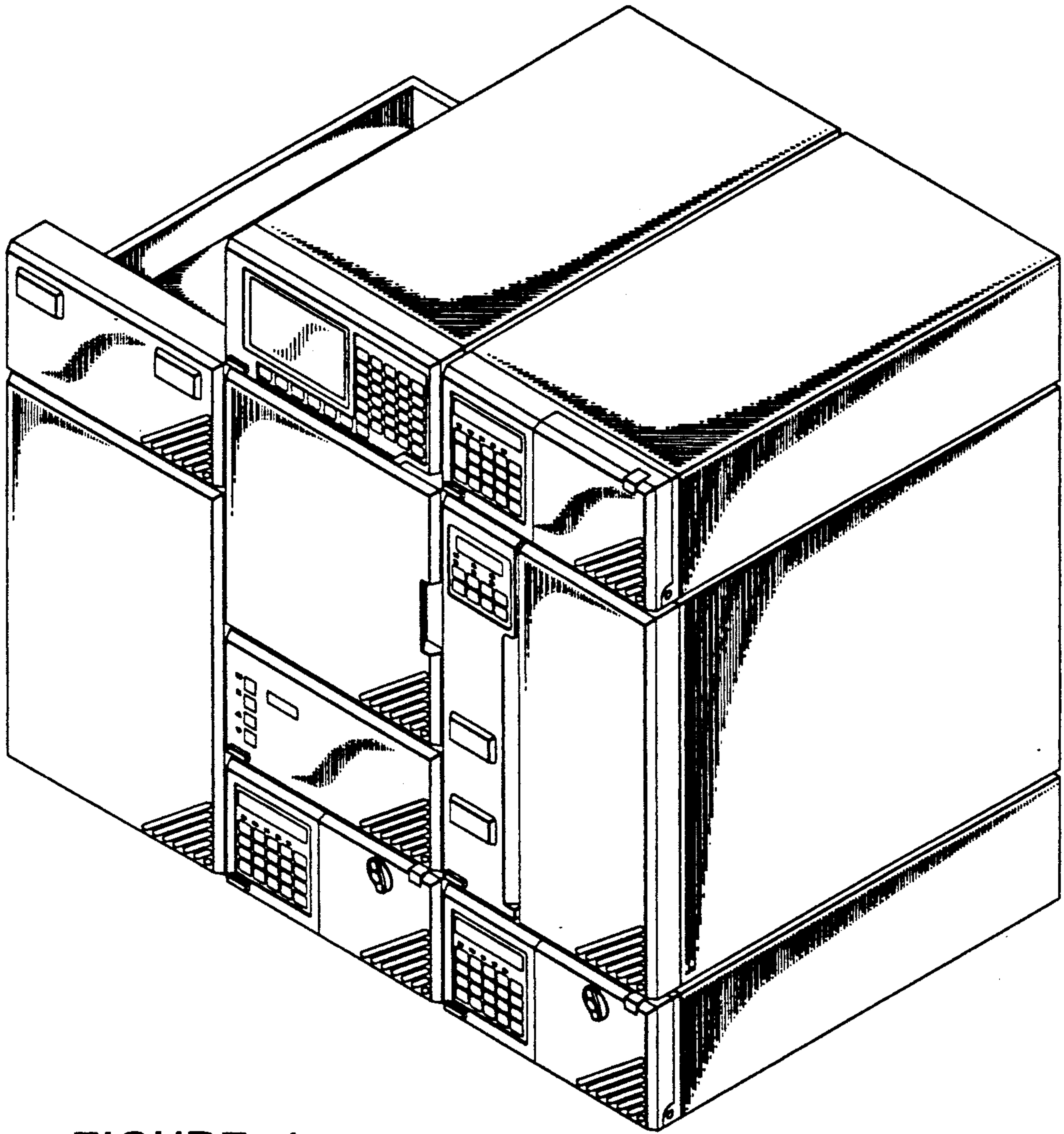


FIGURE 1

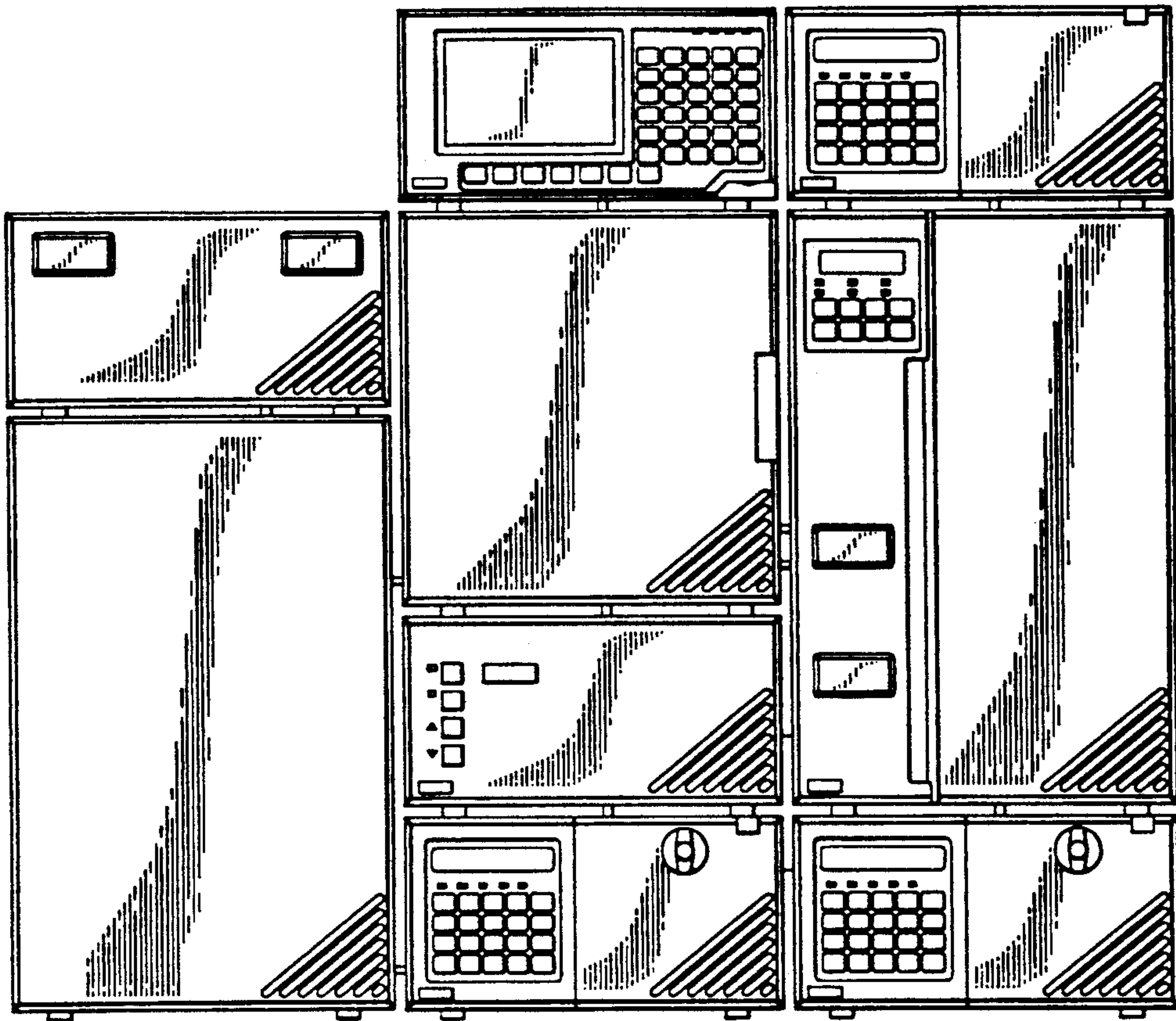


FIGURE 2

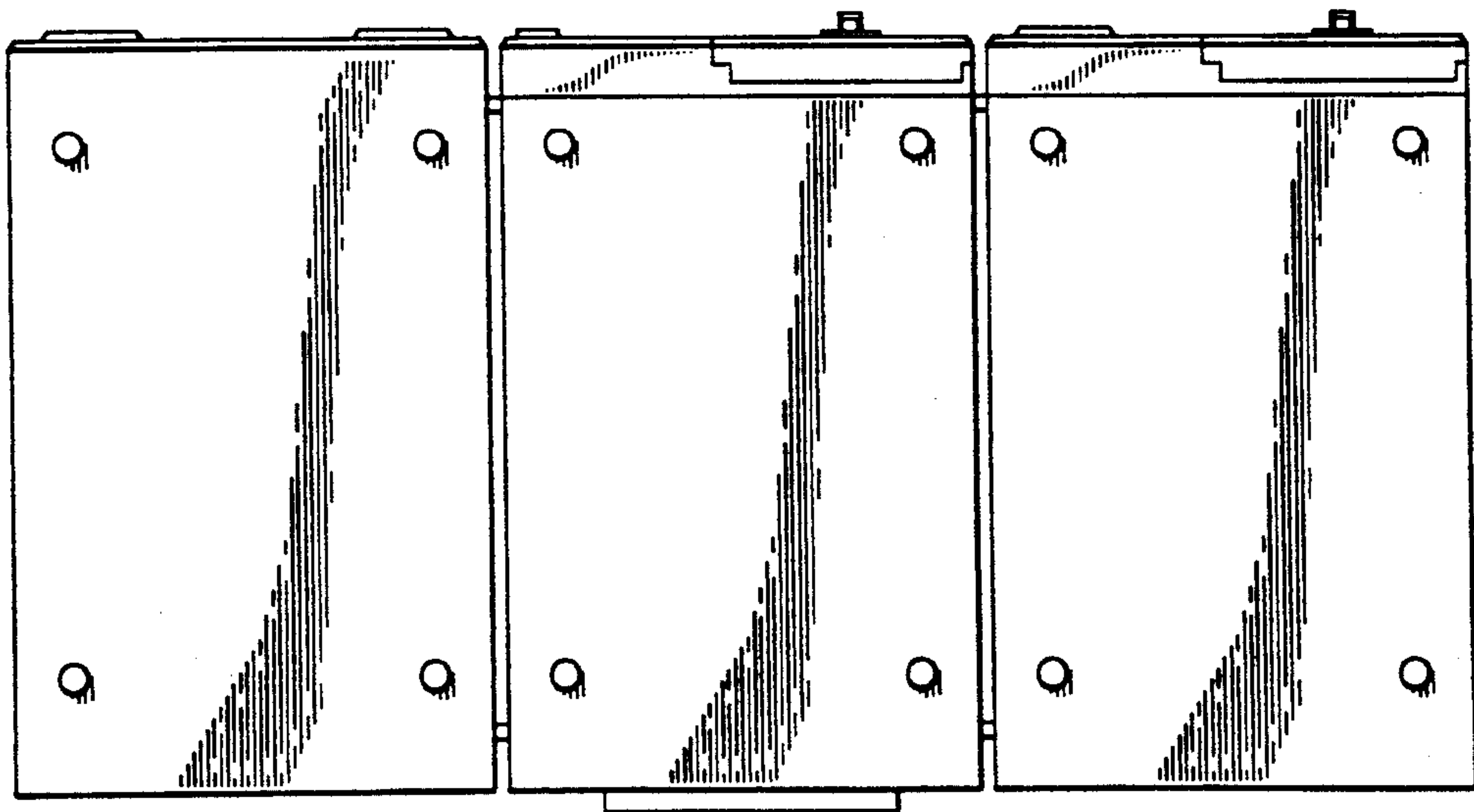


FIGURE 5



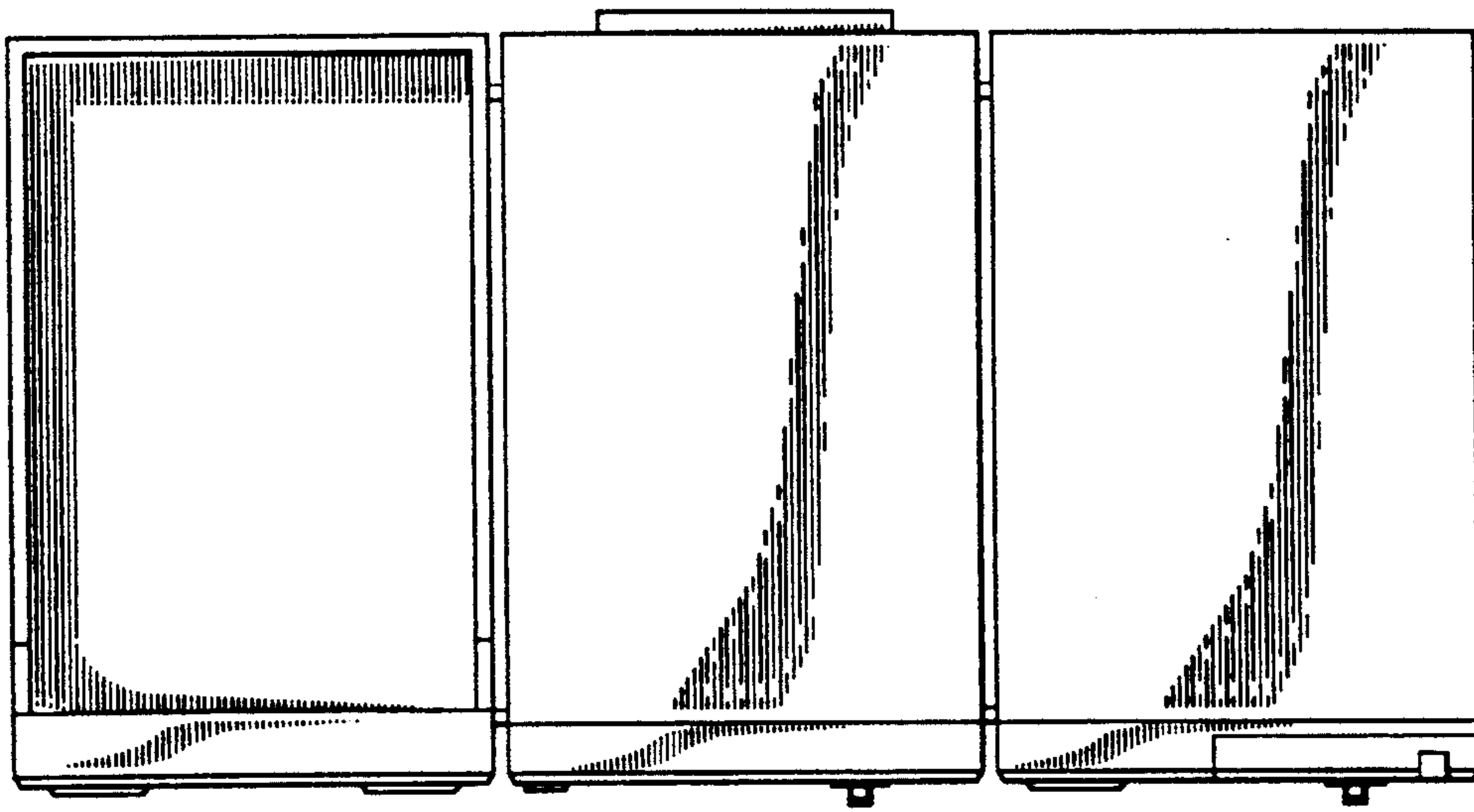


FIGURE 3

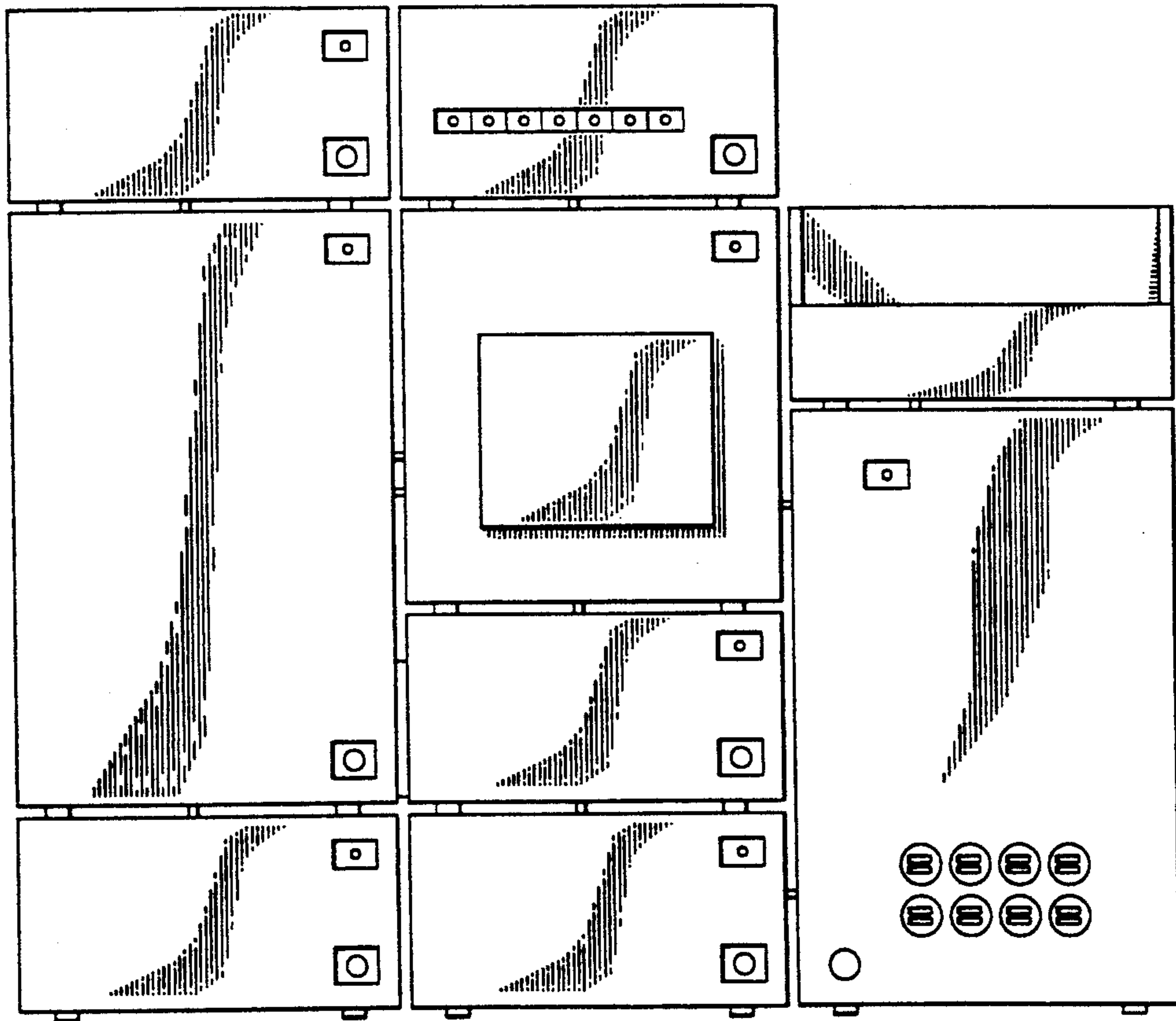


FIGURE 4

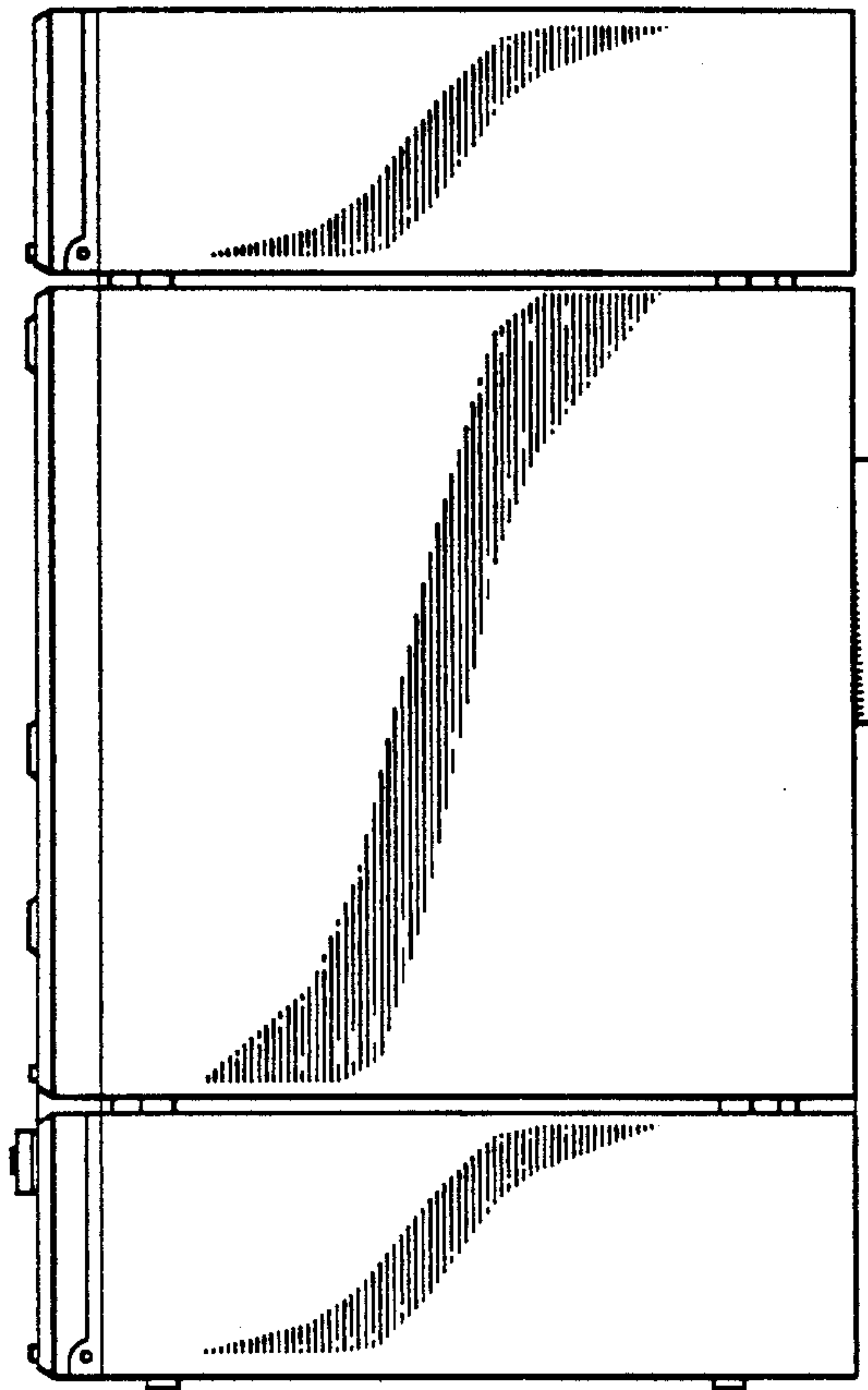


FIGURE 6

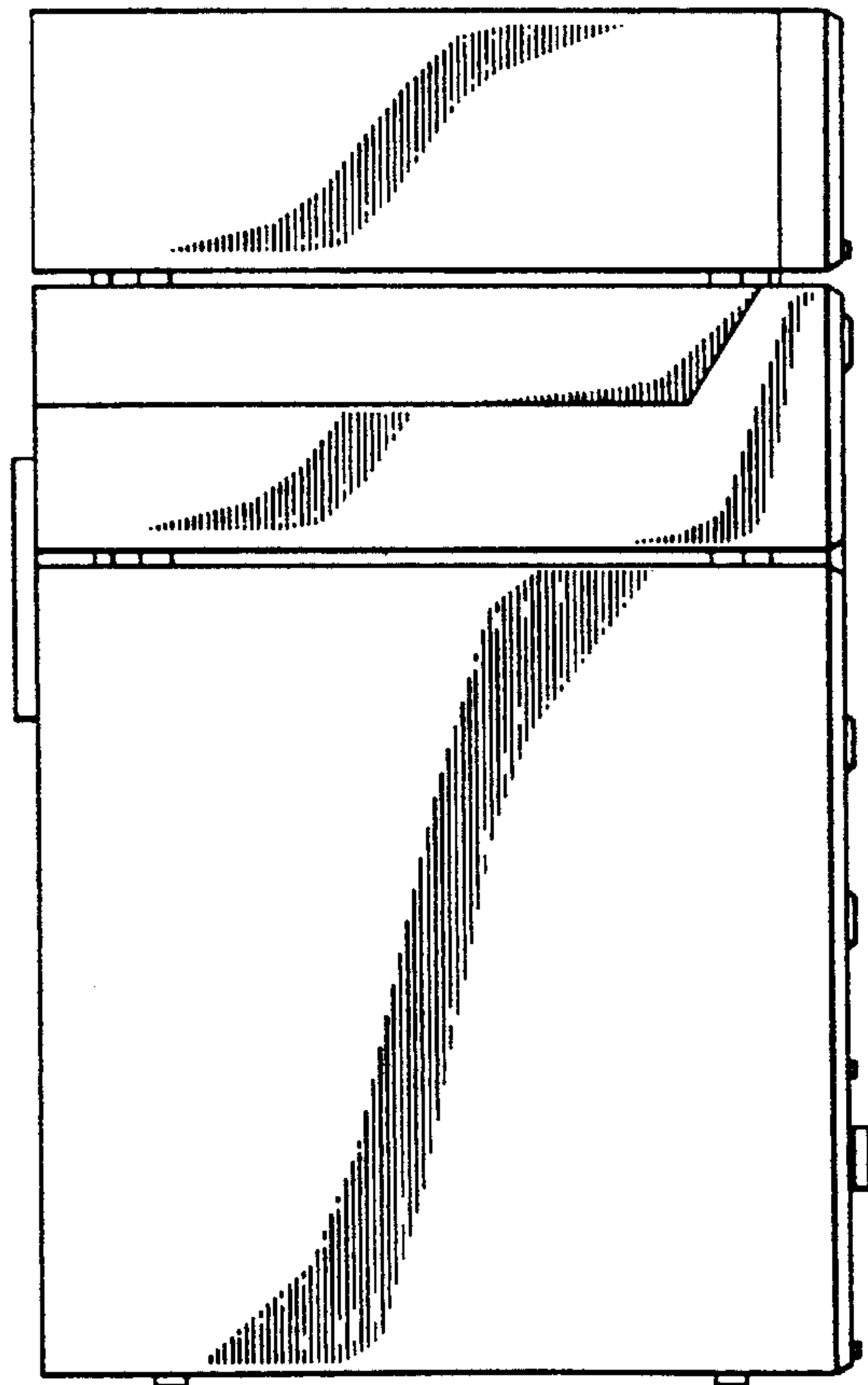


FIGURE 7