



US00D340196S

United States Patent [19] Tong

[11] Patent Number: Des. 340,196

[45] Date of Patent: ** Oct. 12, 1993

[54] MEASURING TAPE AND REEL

[76] Inventor: Wing K. Tong, 201 Alexmuir Blvd.,
Unit 78, Scarborough, Canada, M1B
1S5

[**] Term: 14 Years

[21] Appl. No.: 824,177

[22] Filed: Jan. 22, 1992

[30] Foreign Application Priority Data

Aug. 9, 1991 [GB] United Kingdom 2016607
[52] U.S. Cl. D10/72
[58] Field of Search D10/70, 72;
33/756-772

[56] References Cited

U.S. PATENT DOCUMENTS

D. 98,554 2/1936 Stowell D10/72 X
D. 310,341 9/1990 Tsuji D10/71
3,834,030 9/1978 Hanson 33/759

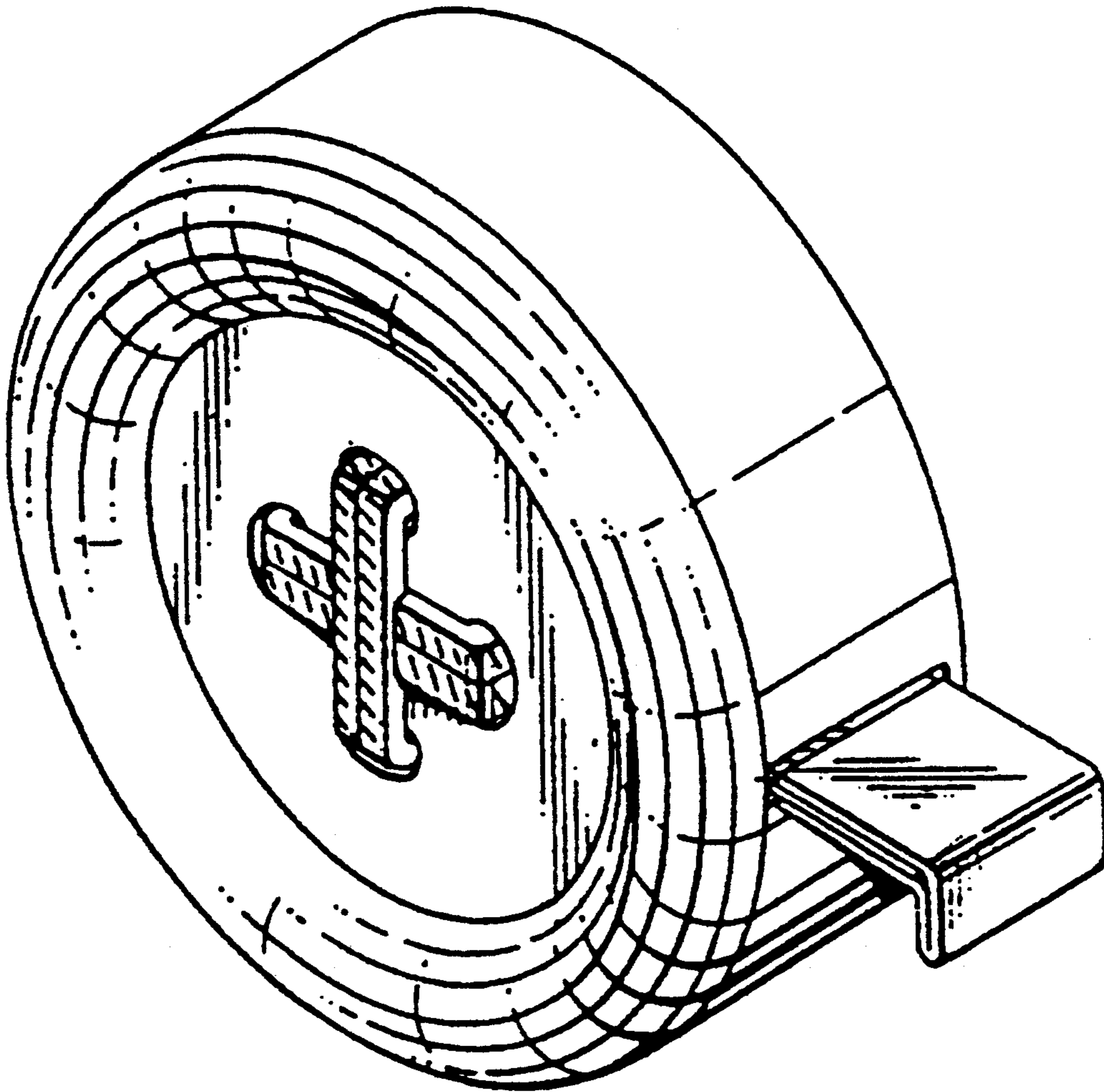
Primary Examiner—Alan P. Douglas
Assistant Examiner—Antoine D. Davis
Attorney, Agent, or Firm—Wenderoth, Lind & Ponack

[57] CLAIM

The ornamental design for a measuring tape and reel, as shown.

DESCRIPTION

FIG. 1 is a perspective front view of the article;
FIG. 2 is a perspective front view of the article similar
to FIG. 1 but with a part of the article extended;
FIG. 3 is a rear view of the article; and,
FIG. 4 is an underplan of the article.



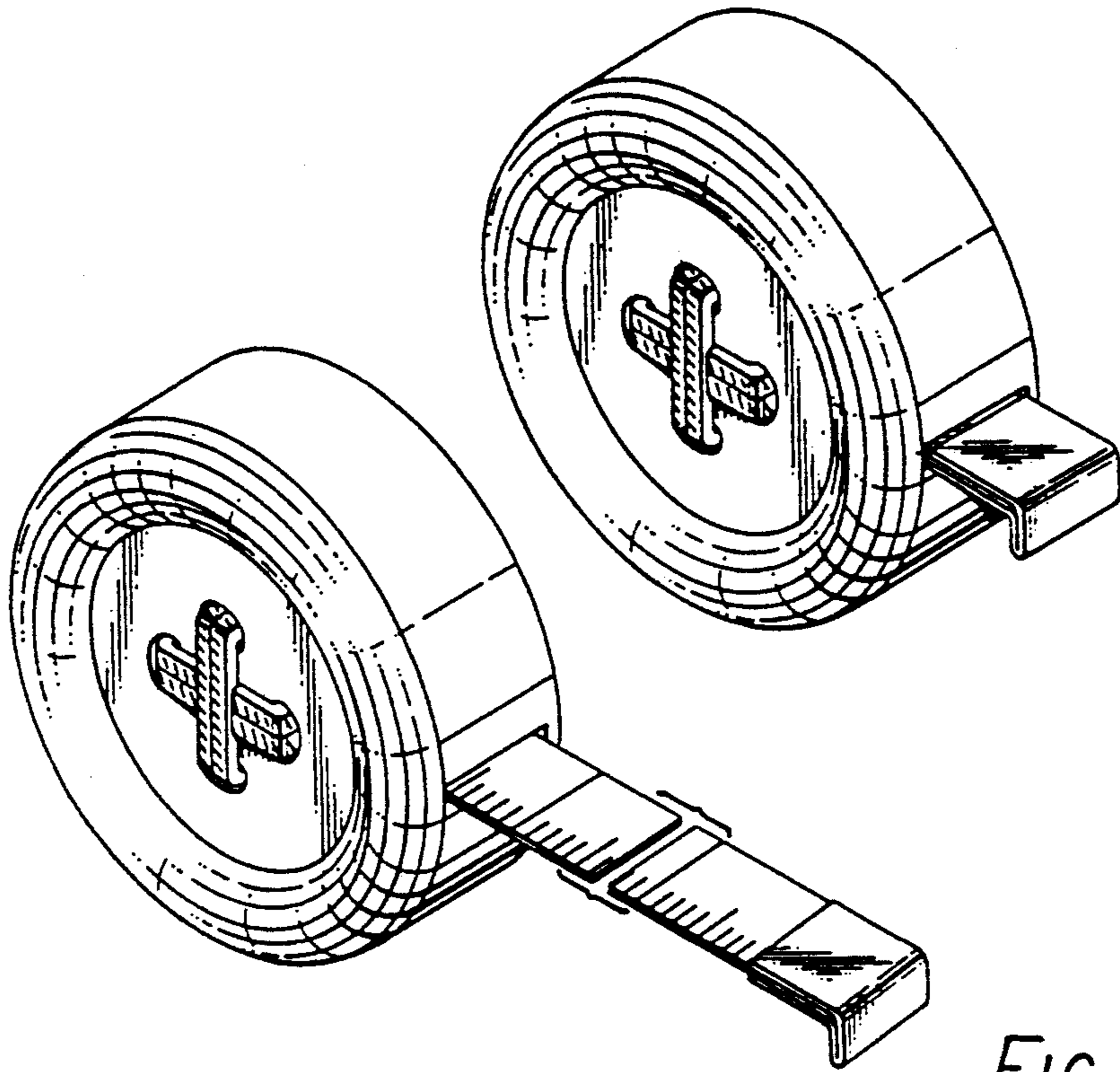


FIG. 1

FIG. 2

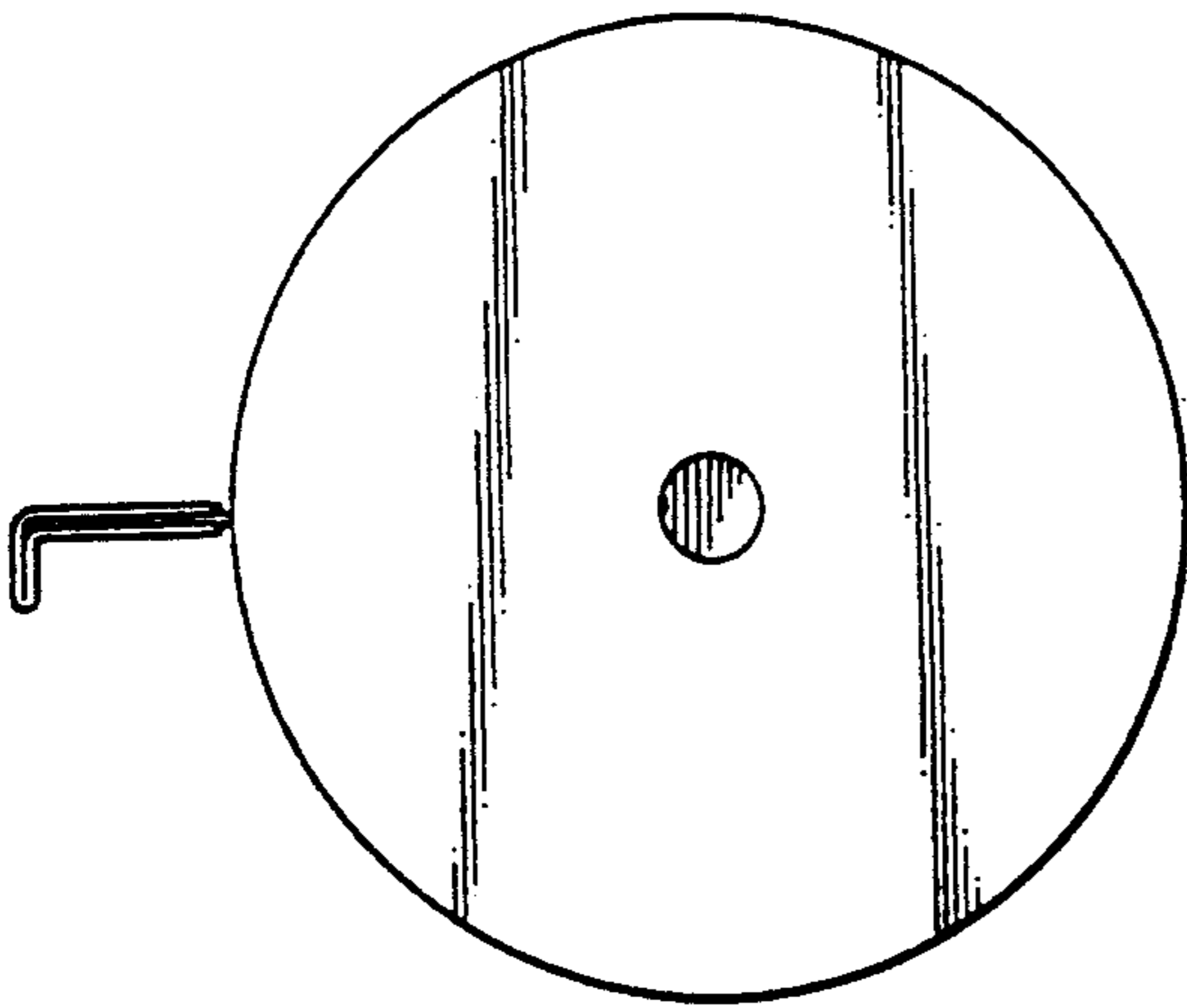


FIG. 3

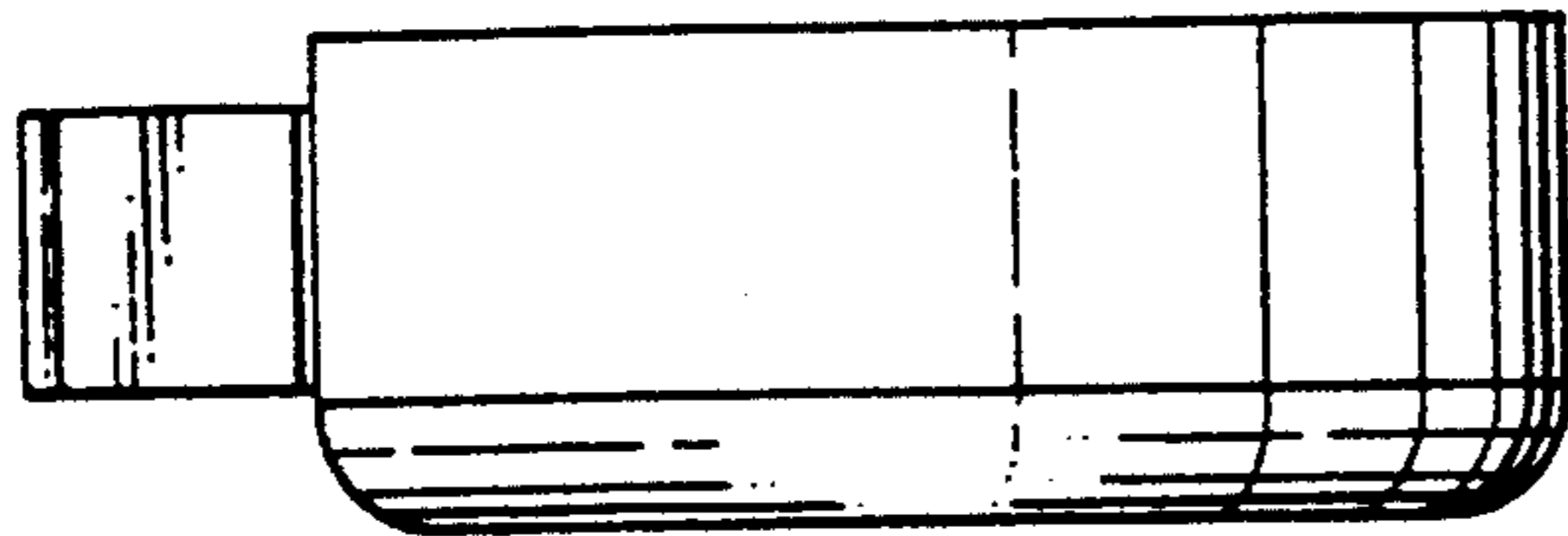


FIG. 4