



US00D340195S

United States Patent [19]

[11] Patent Number: **Des. 340,195**

Shapiro

[45] Date of Patent: **** Oct. 12, 1993**

[54] RULER

[75] Inventor: **Bruce Shapiro, Northbrook, Ill.**

[73] Assignee: **Creative Works, Inc., Northbrook, Ill.**

[**] Term: **14 Years**

[21] Appl. No.: **825,862**

[22] Filed: **Jan. 27, 1992**

[52] U.S. Cl. **D10/71**

[58] Field of Search **D10/70, 71, 65, 64; D25/119, 121, 136; 33/483-494**

[56] **References Cited**

U.S. PATENT DOCUMENTS

D. 78,898	7/1929	Rice	D25/136 X
D. 211,283	6/1968	Hassenfeld	D10/71
1,249,132	12/1917	Leavens	33/493
2,562,348	7/1951	Bowser, Jr.	33/492

FOREIGN PATENT DOCUMENTS

459584	4/1928	Fed. Rep. of Germany	33/485
905888	7/1949	Fed. Rep. of Germany	33/485
1191549	2/1958	France	33/489

Primary Examiner—Alan P. Douglas

Assistant Examiner—Antoine D. Davis
Attorney, Agent, or Firm—Dressler, Goldsmith, Shore, Sutker & Milnamow, Ltd.

[57] **CLAIM**

The ornamental design for a ruler, as shown and described.

DESCRIPTION

FIG. 1 is a perspective view of a ruler showing my new design;

FIG. 2 is a front elevational view of the ruler shown in FIG. 1, the rear surface thereof being unornamental in design;

FIG. 3 is a top plan view of the ruler shown in FIG. 1;

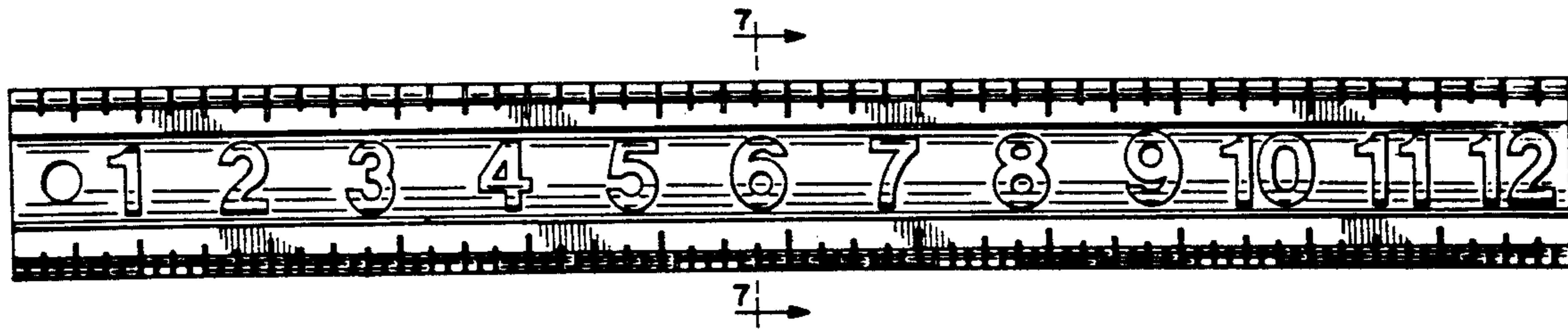
FIG. 4 is a bottom plan view of the ruler shown in FIG. 1;

FIG. 5 is a left side elevational view of the ruler shown in FIG. 1;

FIG. 6 is a right side elevational view of the ruler shown in FIG. 1; and,

FIG. 7 is a sectional view taken along line 7—7 in FIG. 2.

The broken line showing of a flat surface is for illustrative purposes only and forms no part of the claimed design.



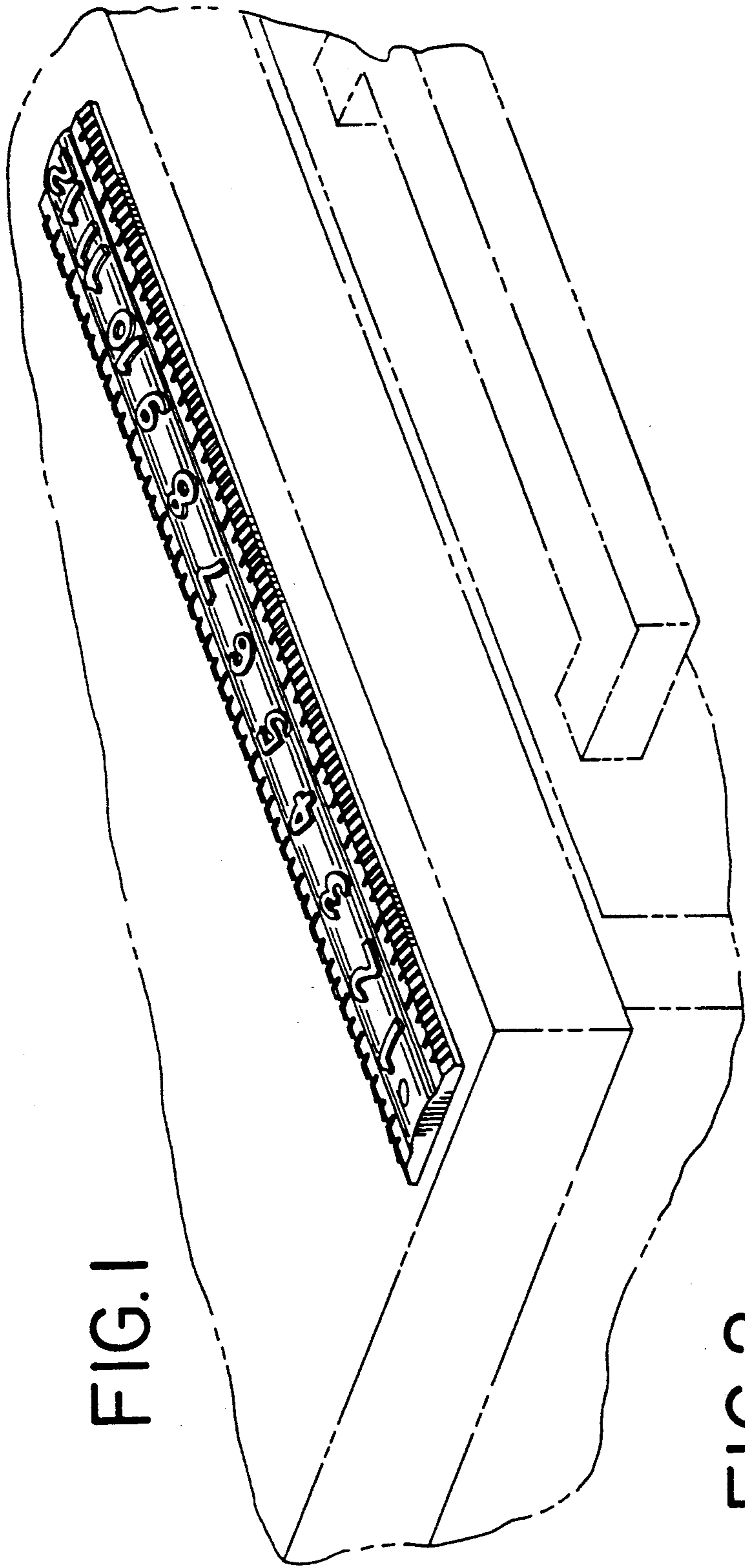


FIG. 1

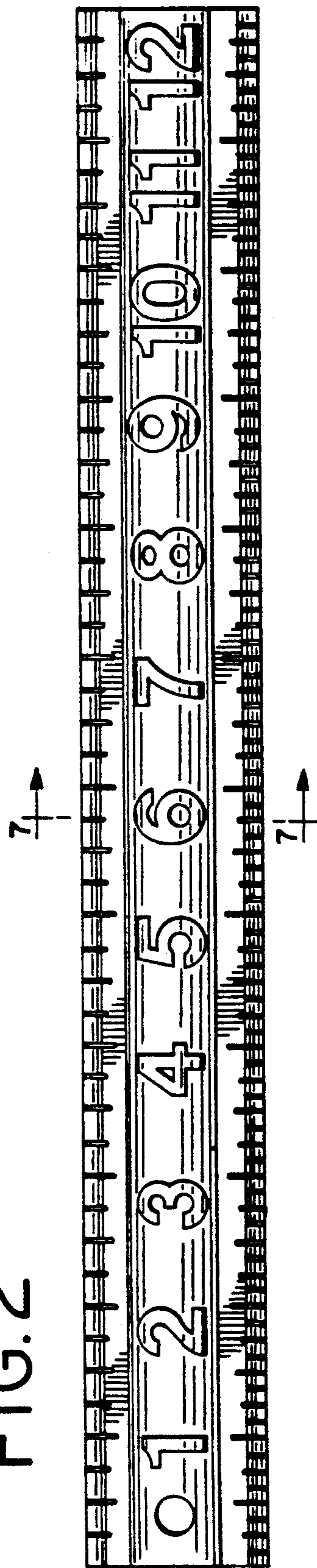


FIG. 2

FIG. 3



FIG. 4



FIG. 5



FIG. 6



FIG. 7

