



US00D340194S

United States Patent [19]

[11] Patent Number: Des. 340,194

White

[45] Date of Patent: ** Oct. 12, 1993

[54] ELECTRICAL OUTLET MARKER

[76] Inventor: Dennis J. White, 17 Abbey Ct., Brooklyn, N.Y. 11229

[**] Term: 14 Years

[21] Appl. No.: 614,108

[22] Filed: Nov. 15, 1990

[52] U.S. Cl. D10/65

[58] Field of Search D10/64, 70, 71, 65, D10/60, 62; 33/480, 452, 742, 428, 379, 347, 666, 669, 670, 528, DIG. 10

[56] References Cited

U.S. PATENT DOCUMENTS

D. 230,628	3/1974	Sunley	D10/64
2,437,847	3/1948	Zeise	33/DIG. 10 X
3,672,064	6/1972	Elkins et al.	33/DIG. 10 X
3,760,766	9/1973	Wopshchall	.	
3,812,587	5/1974	Elkins	.	
3,885,314	5/1975	Banas	.	
4,793,069	12/1988	McDowell	D10/64 X

OTHER PUBLICATIONS

U.S. Disclosure Document, Accurate Outlet, Apr. 23, 1992, Dennis J. White.

Primary Examiner—Alan P. Douglas
Assistant Examiner—Antoine D. Davis
Attorney, Agent, or Firm—Terry M. Gernstein

[57] CLAIM

The ornamental design for an electrical outlet marker, as shown and described.

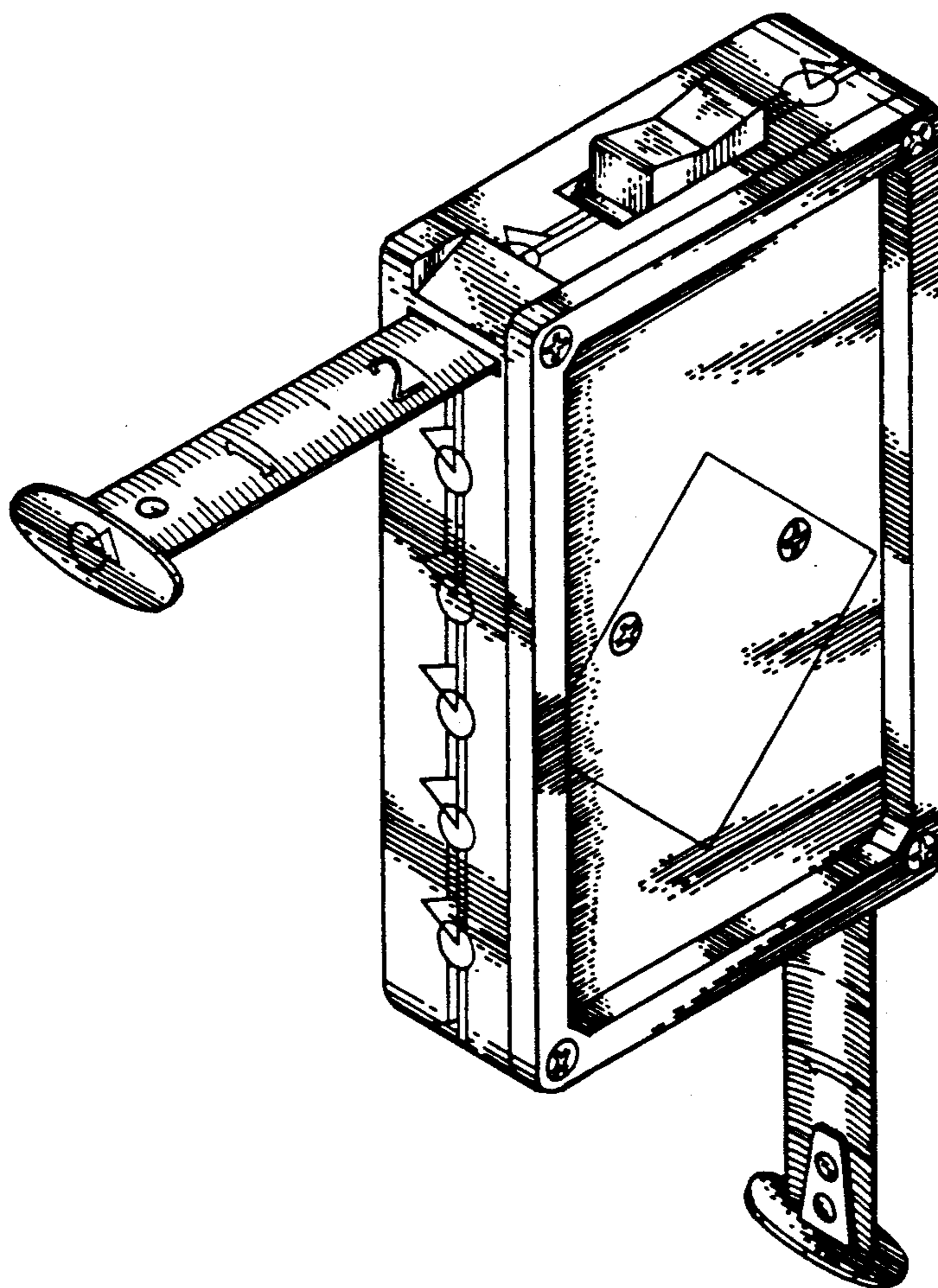
DESCRIPTION

FIG. 1 is a front, top and right side perspective view of the electrical outlet marker embodying the design of the present invention;

FIG. 2 is a left side elevational view thereof, the right side being shown in FIG. 1.

FIG. 3 is a front elevational view thereof, the rear being decorated in a manner identical to the front shown in FIG. 3; and,

FIG. 4 is a top view thereof, the bottom being decorated in a manner identical to the top shown in FIG. 4.



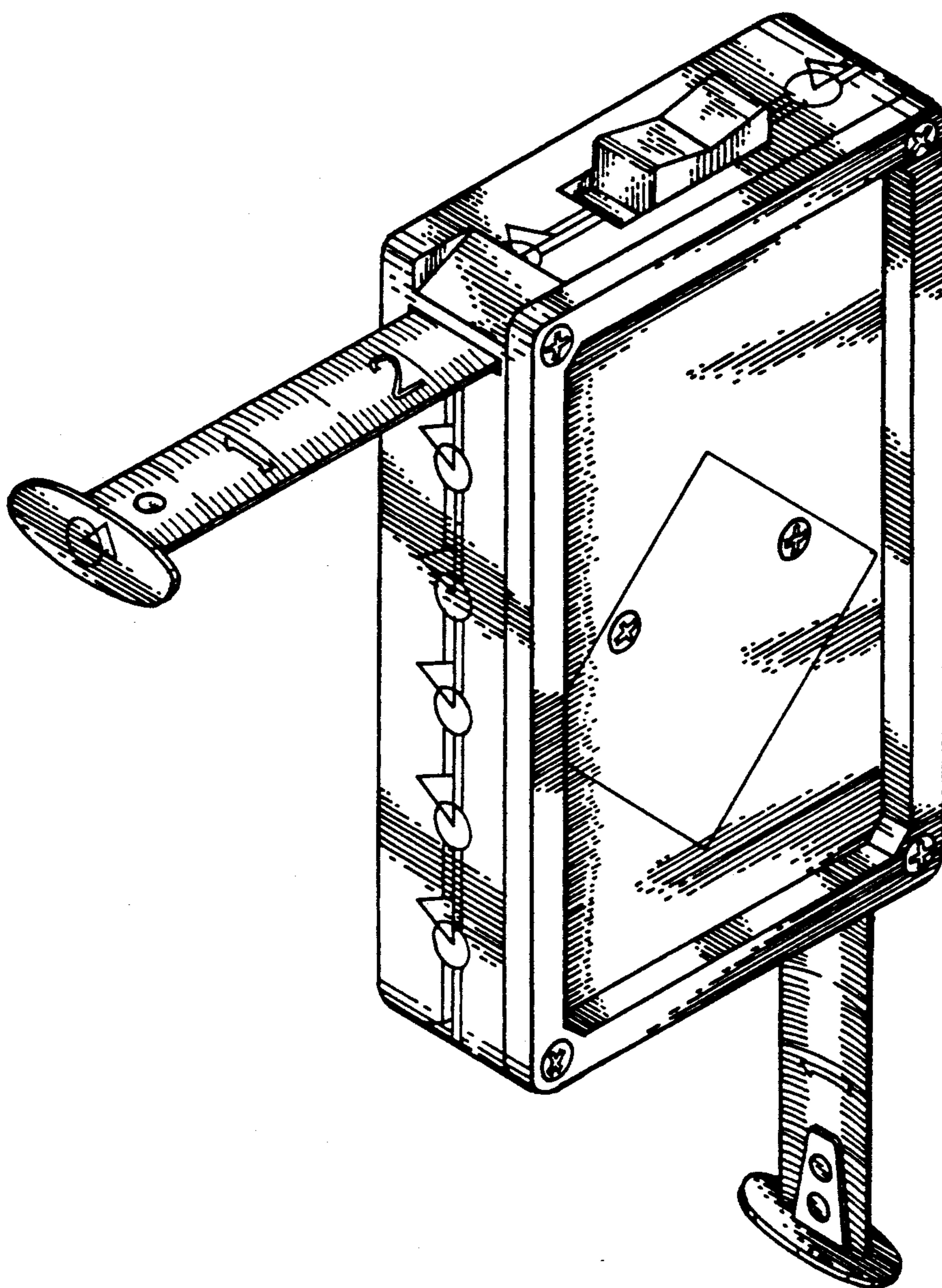


FIG. 1

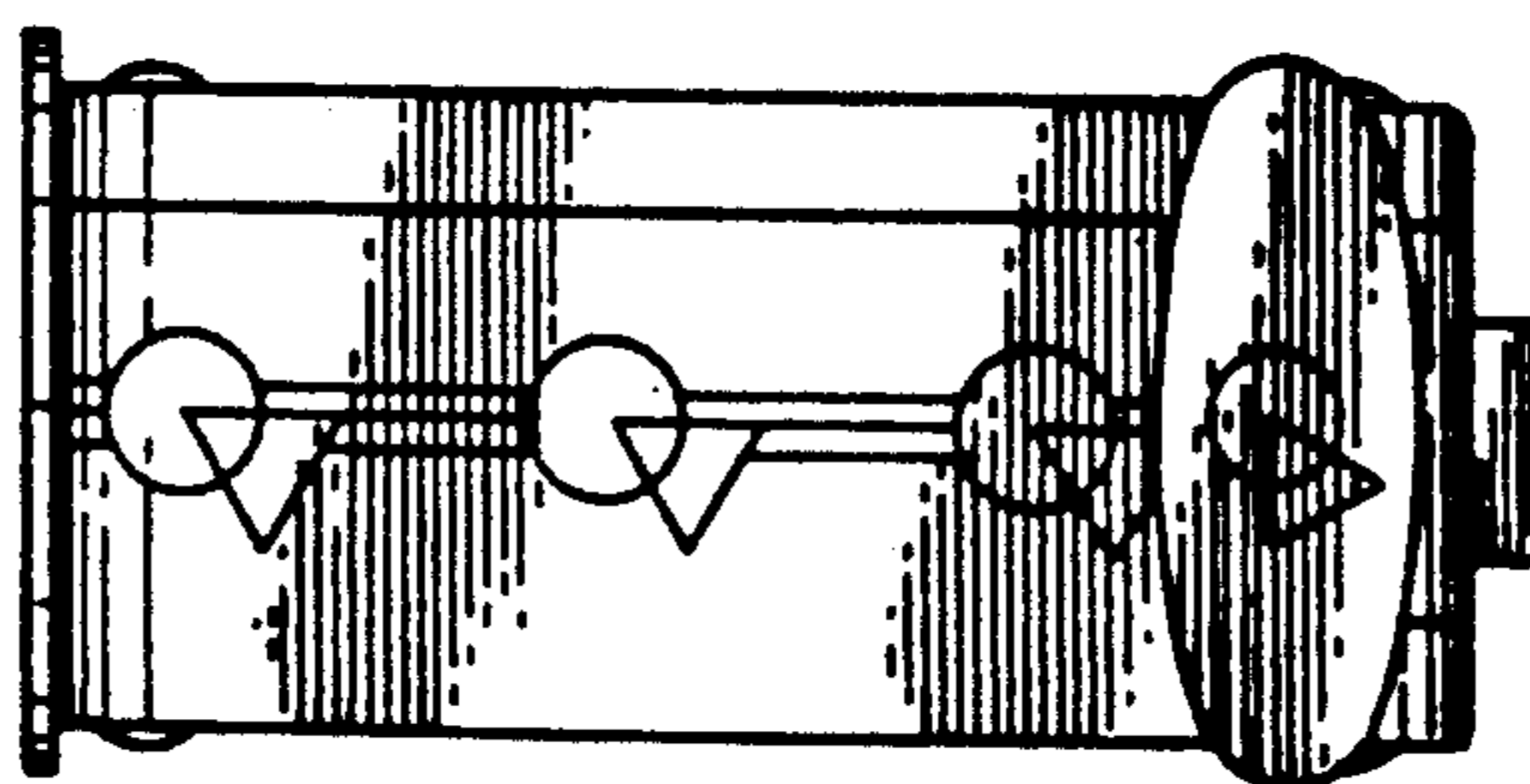


FIG. 3

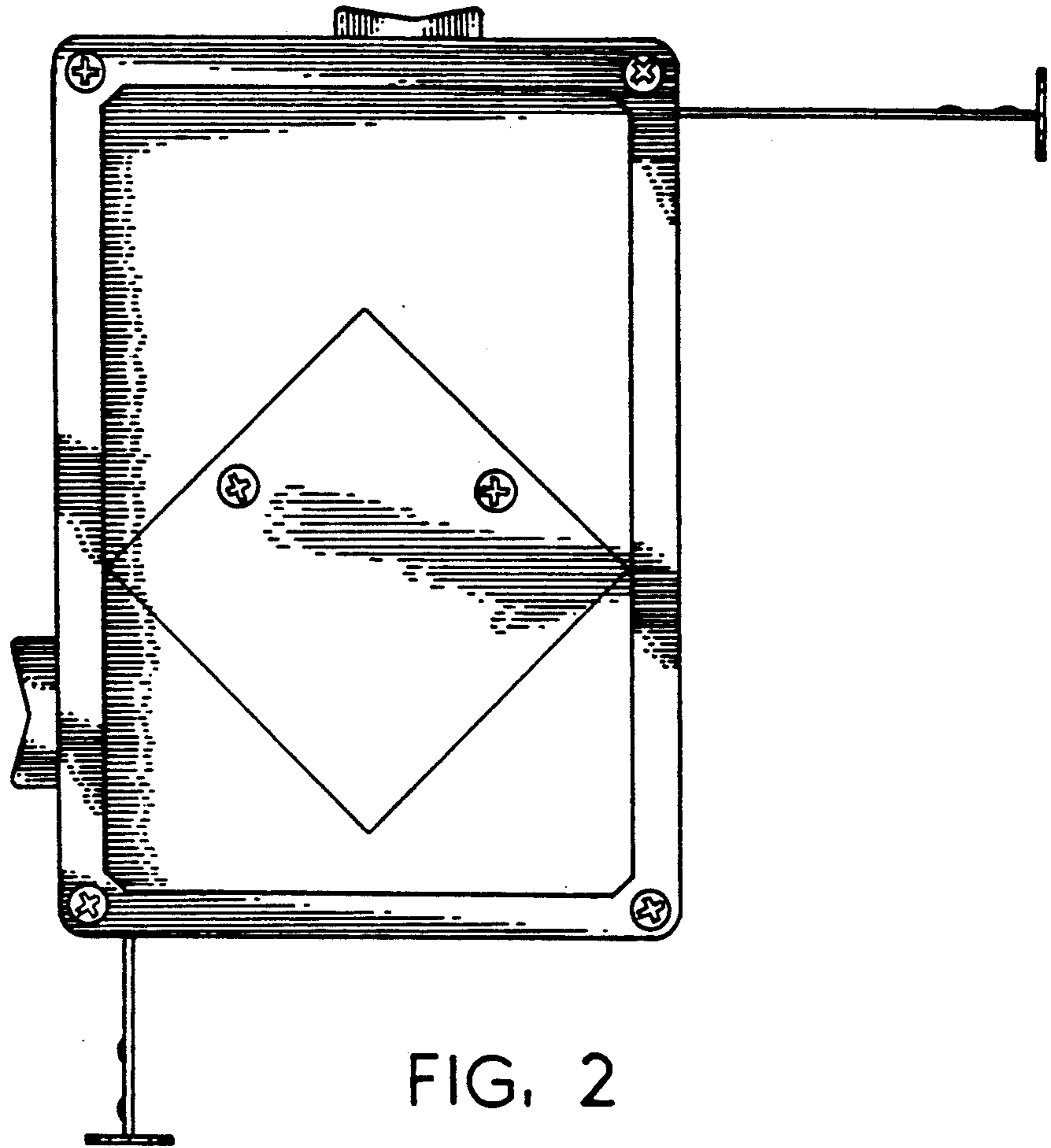


FIG. 2

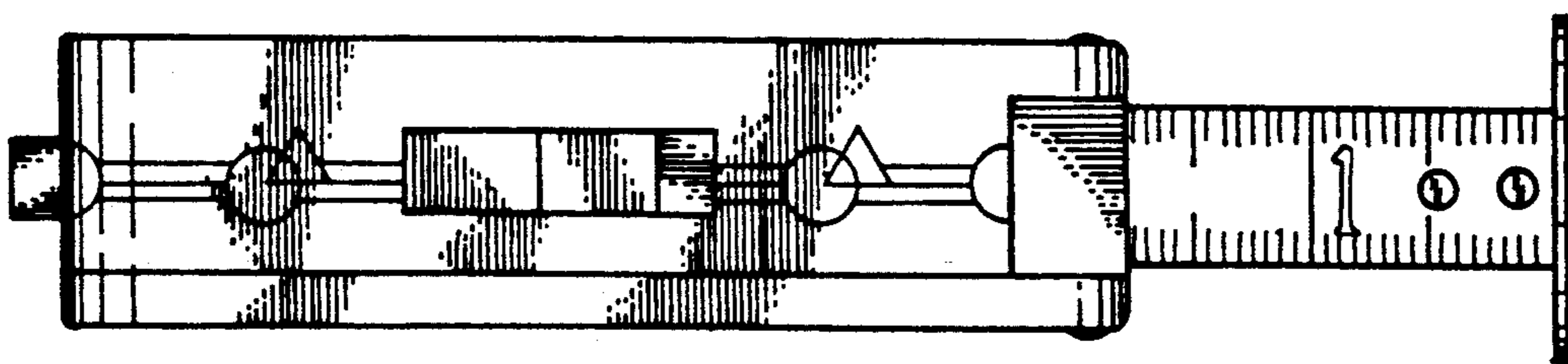


FIG. 4