



US00D340188S

United States Patent [19]

[11] Patent Number: Des. 340,188

Forsyth

[45] Date of Patent: ** Oct. 12, 1993

[54] SINGLE FLAP CONTAINER CAP

3,212,665 10/1965 Duncan D9/447
5,048,730 9/1991 Forsyth et al. 222/482

[75] Inventor: Michael J. Forsyth, Stow, Ohio

[73] Assignee: Weatherchem Corporation,
Twinsburg, Ohio

Primary Examiner—Alan P. Douglas
Assistant Examiner—Ann Hunt
Attorney, Agent, or Firm—Pearne, Gordon, McCoy &
Granger

[**] Term: 14 Years

[21] Appl. No.: 749,422

[57] CLAIM

[22] Filed: Aug. 23, 1991

The ornamental design for a single flap container cap, as shown and described.

[52] U.S. Cl. D9/449; D9/454

[58] Field of Search D9/435, 440, 447, 449,
D9/515; 220/254, 263; 222/480, 531, 544, 545,
565

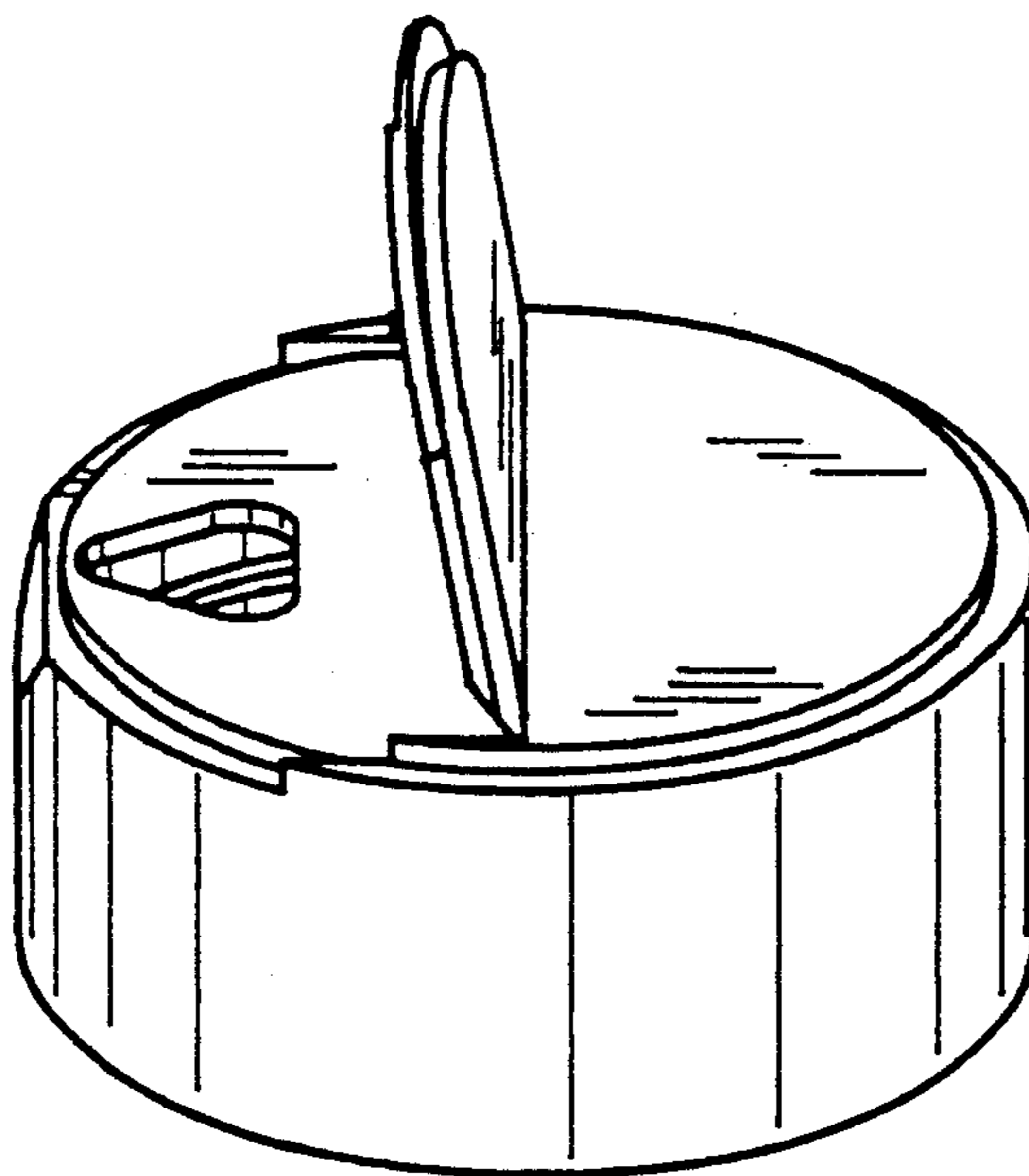
DESCRIPTION

[56] References Cited

U.S. PATENT DOCUMENTS

- D. 305,206 12/1989 Hickman et al. D9/449
- D. 315,307 3/1991 Kanyer D9/447
- D. 320,746 10/1991 Bolen, Jr. et al. D9/447
- D. 321,137 10/1991 Hofmann et al. D9/447
- 3,181,746 5/1965 Tupper 222/545

FIG. 1 is a perspective view of a single flap container cap showing my new design;
 FIG. 2 is a side elevational view taken from the left of FIG. 1;
 FIG. 3 is a top plan view thereof;
 FIG. 4 is a front elevational view thereof;
 FIG. 5 is a bottom plan view thereof;
 FIG. 6 is a side elevational view taken from the right of FIG. 1; and,
 FIG. 7 is a bottom perspective view thereof.



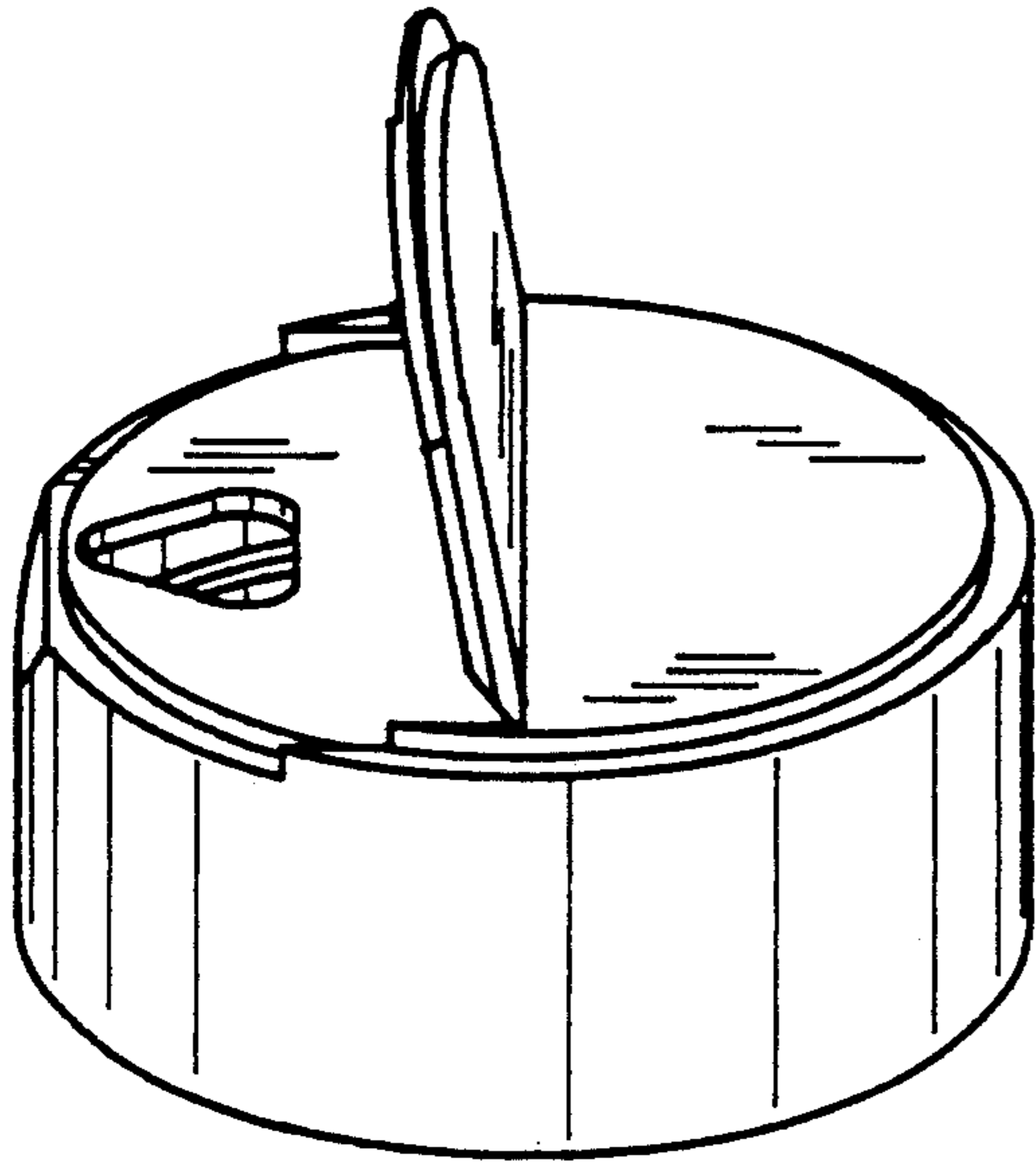


Fig. 1

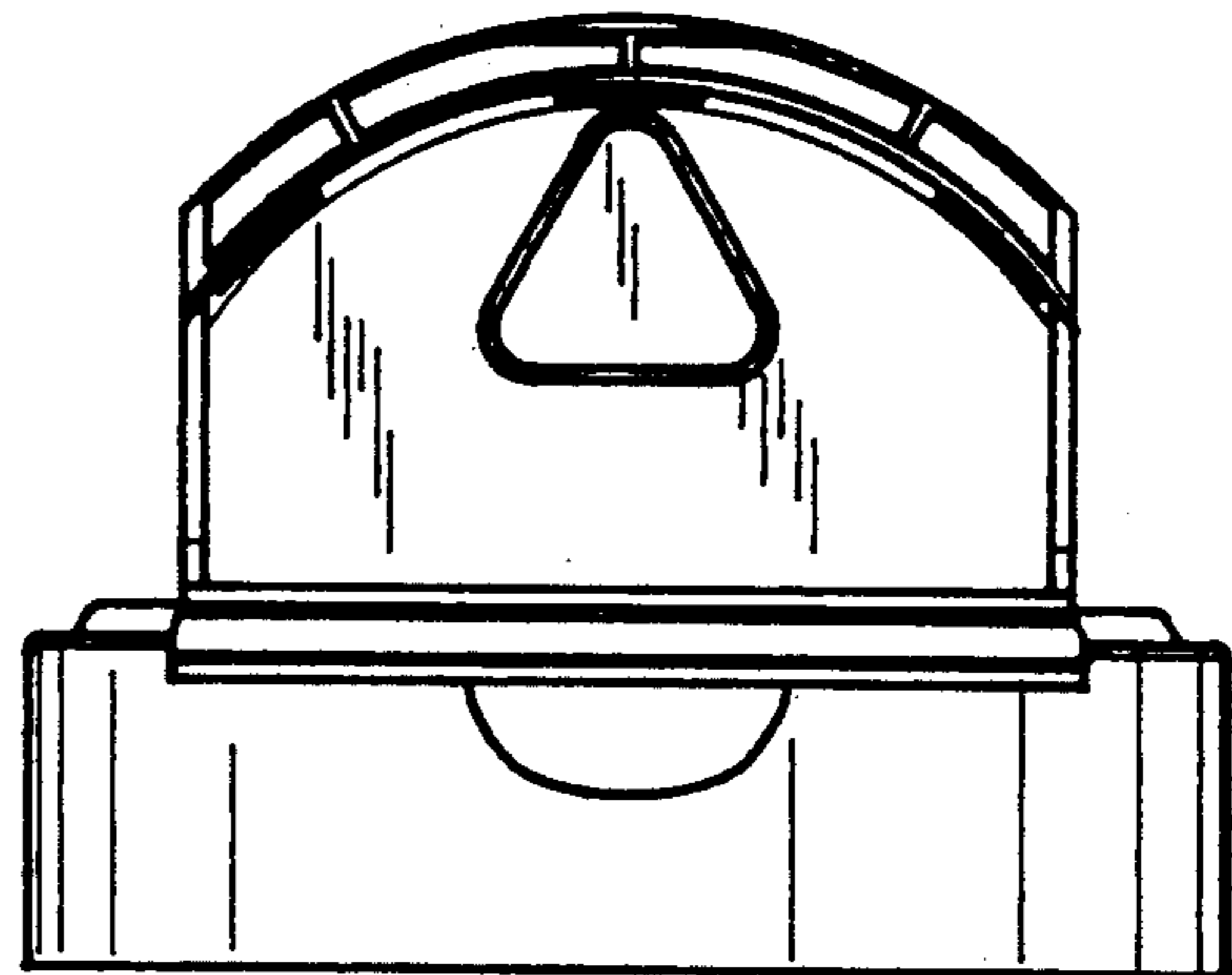


Fig. 2

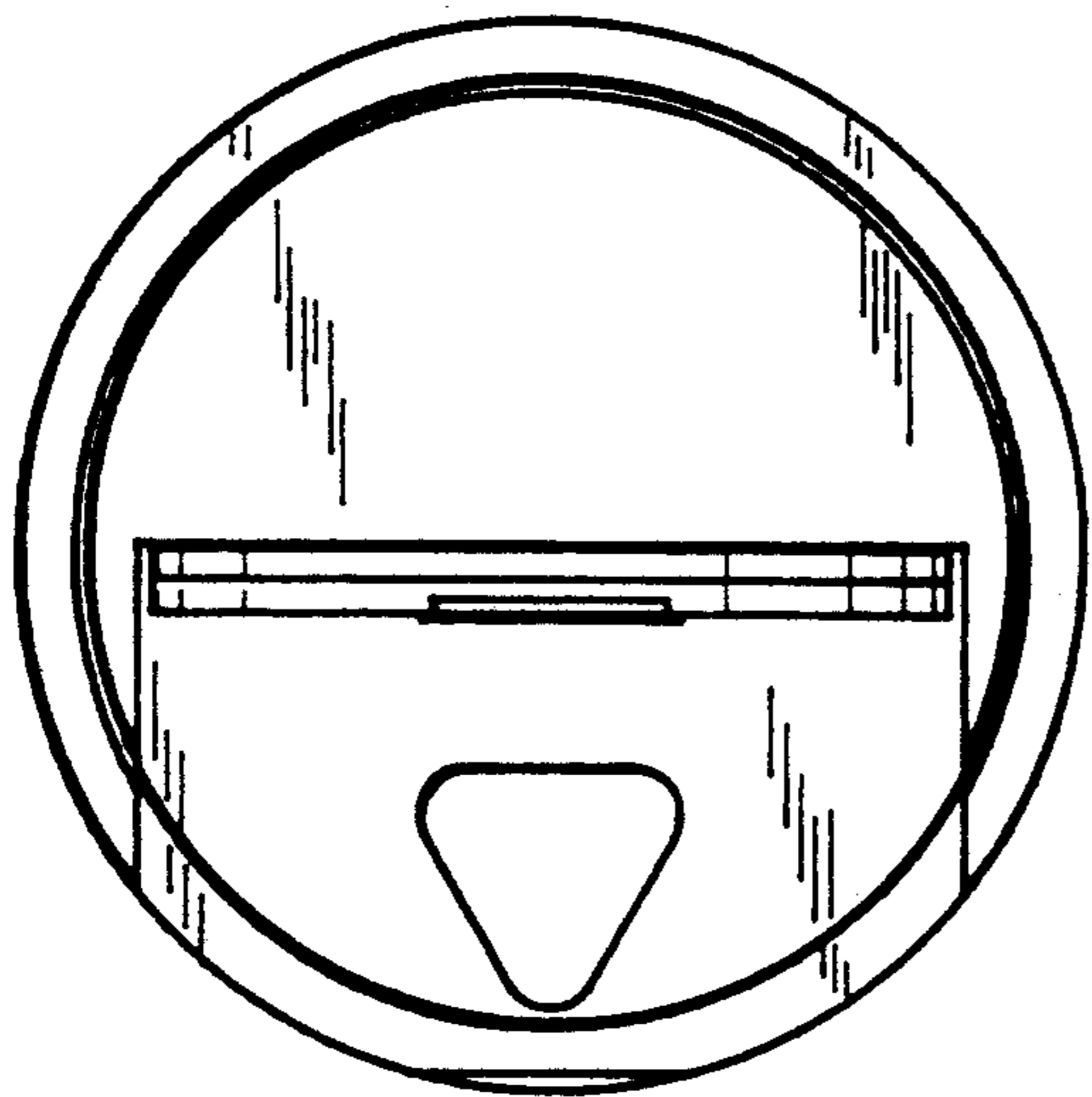


Fig. 3

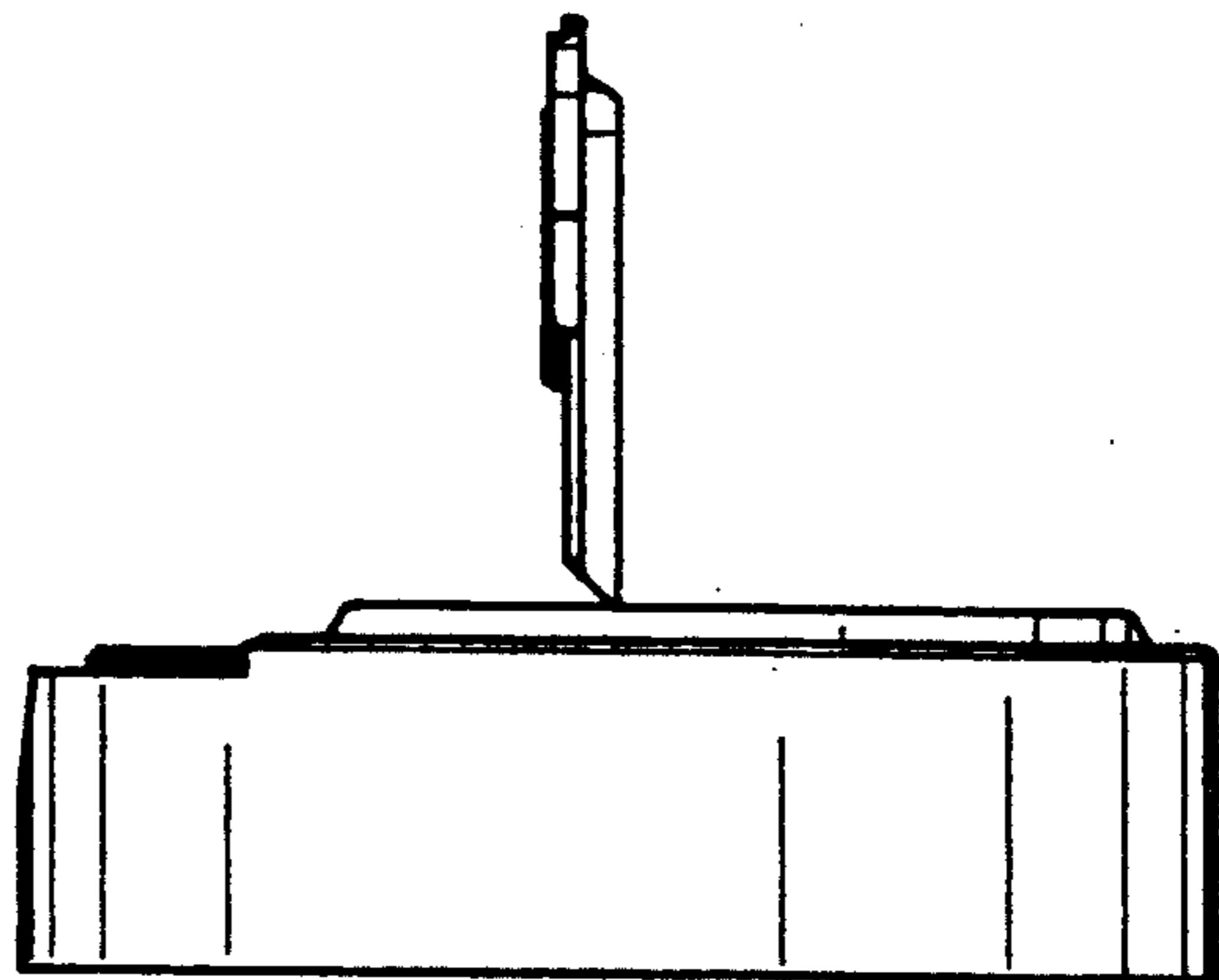


Fig. 4

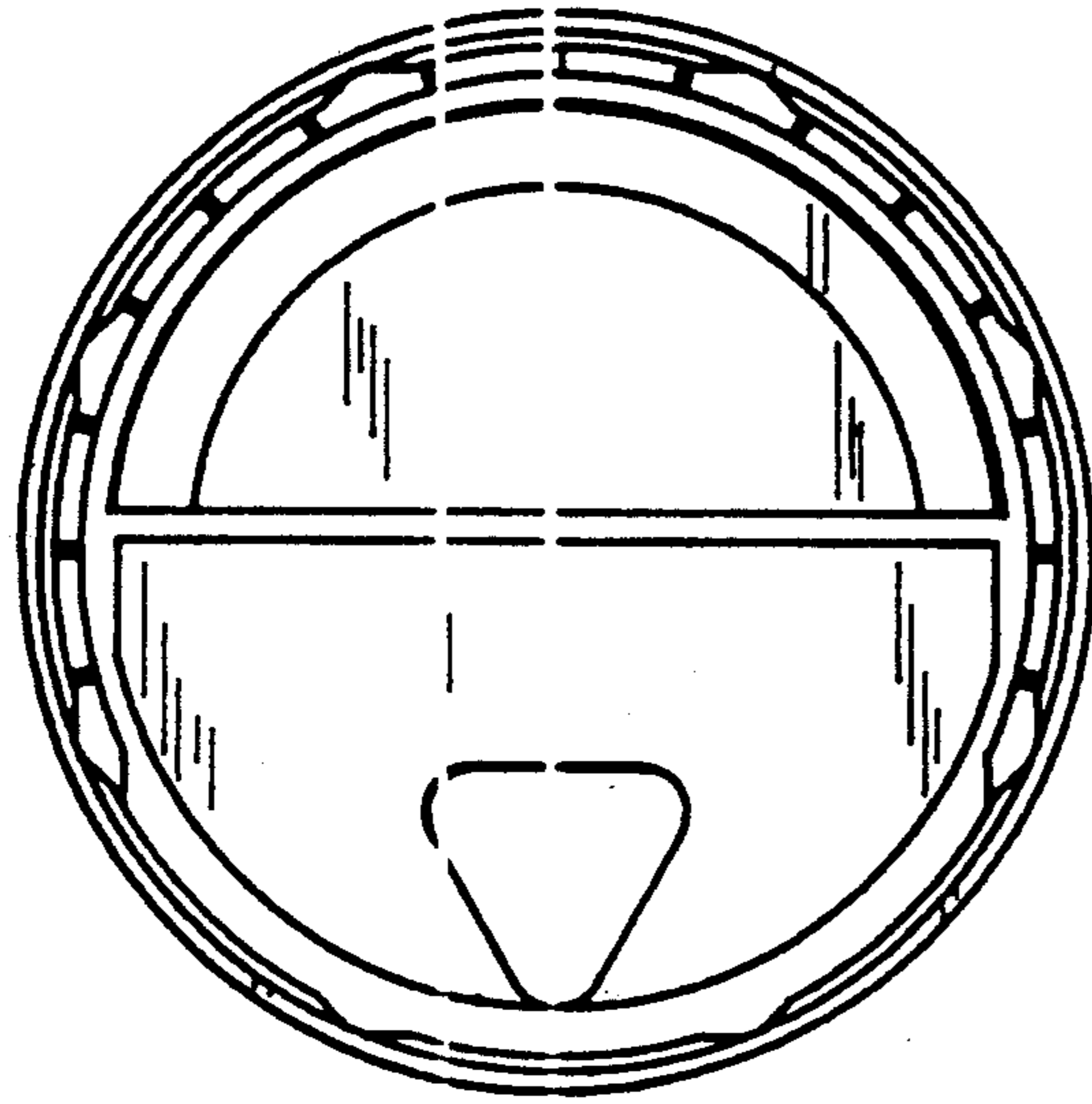


Fig. 5

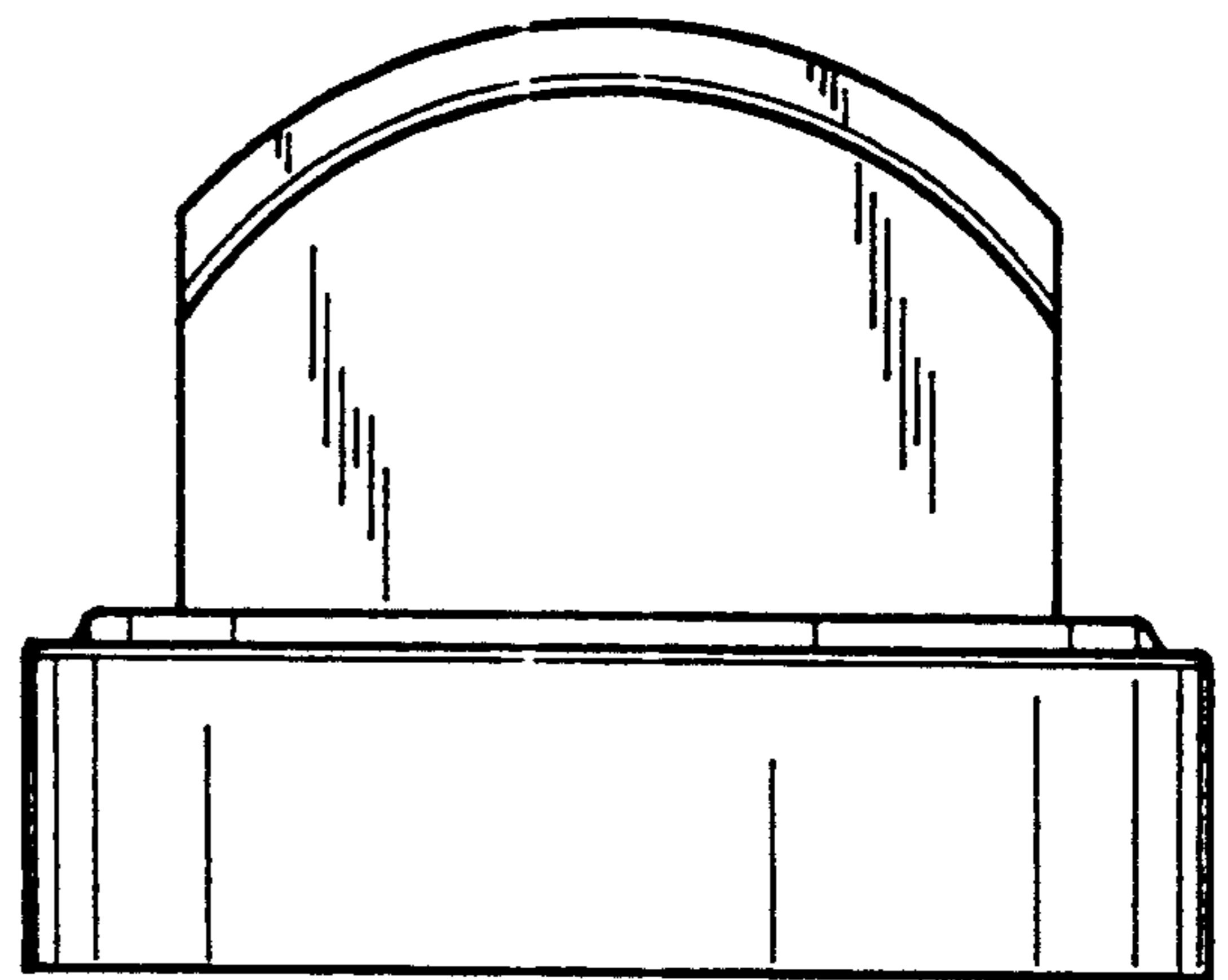


Fig. 6

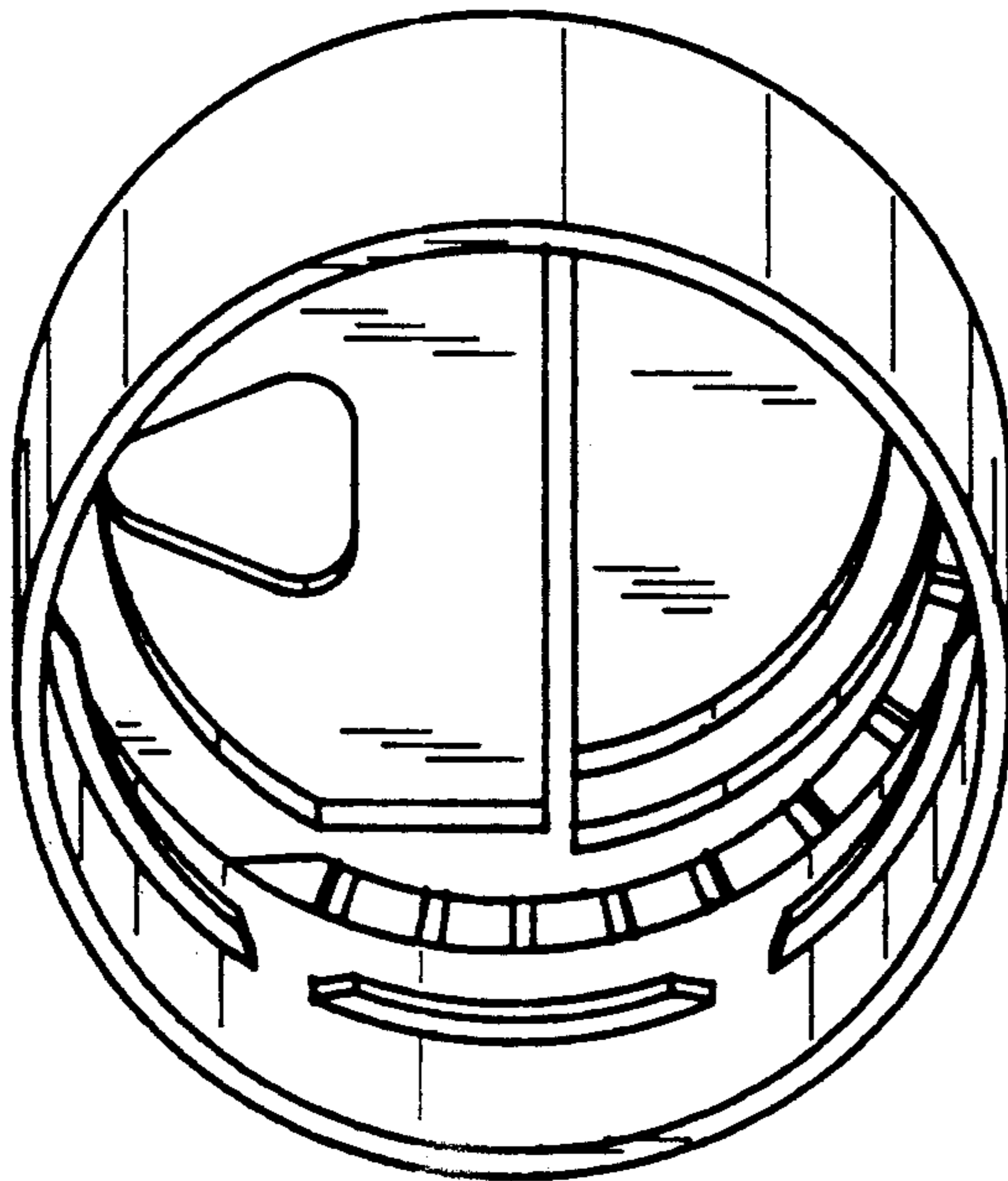


Fig. 7