



US00D340187S

United States Patent [19]

[11] Patent Number: Des. 340,187

Forsyth

[45] Date of Patent: ** Oct. 12, 1993

[54] TWO FLAP CLOSURE

[75] Inventor: Michael J. Forsyth, Stow, Ohio

[73] Assignee: Weatherchem Corporation,
Twinsburg, Ohio

[**] Term: 14 Years

[21] Appl. No.: 740,479

[22] Filed: Aug. 5, 1991

[52] U.S. Cl. D9/449; D9/454

[58] Field of Search D9/435, 440, 447, 449,
D9/515; 220/254, 263; 222/480, 531, 544, 545,
565

[56] **References Cited**

U.S. PATENT DOCUMENTS

D. 278,602	4/1985	Rosenstein	D9/449
D. 305,206	12/1989	Hickman et al.	D9/449
D. 315,307	3/1991	Kanyer	D9/447
D. 321,137	10/1991	Hofmann et al.	D9/447
4,714,181	12/1987	Kozlowski et al.	222/480

Primary Examiner—Alan P. Douglas

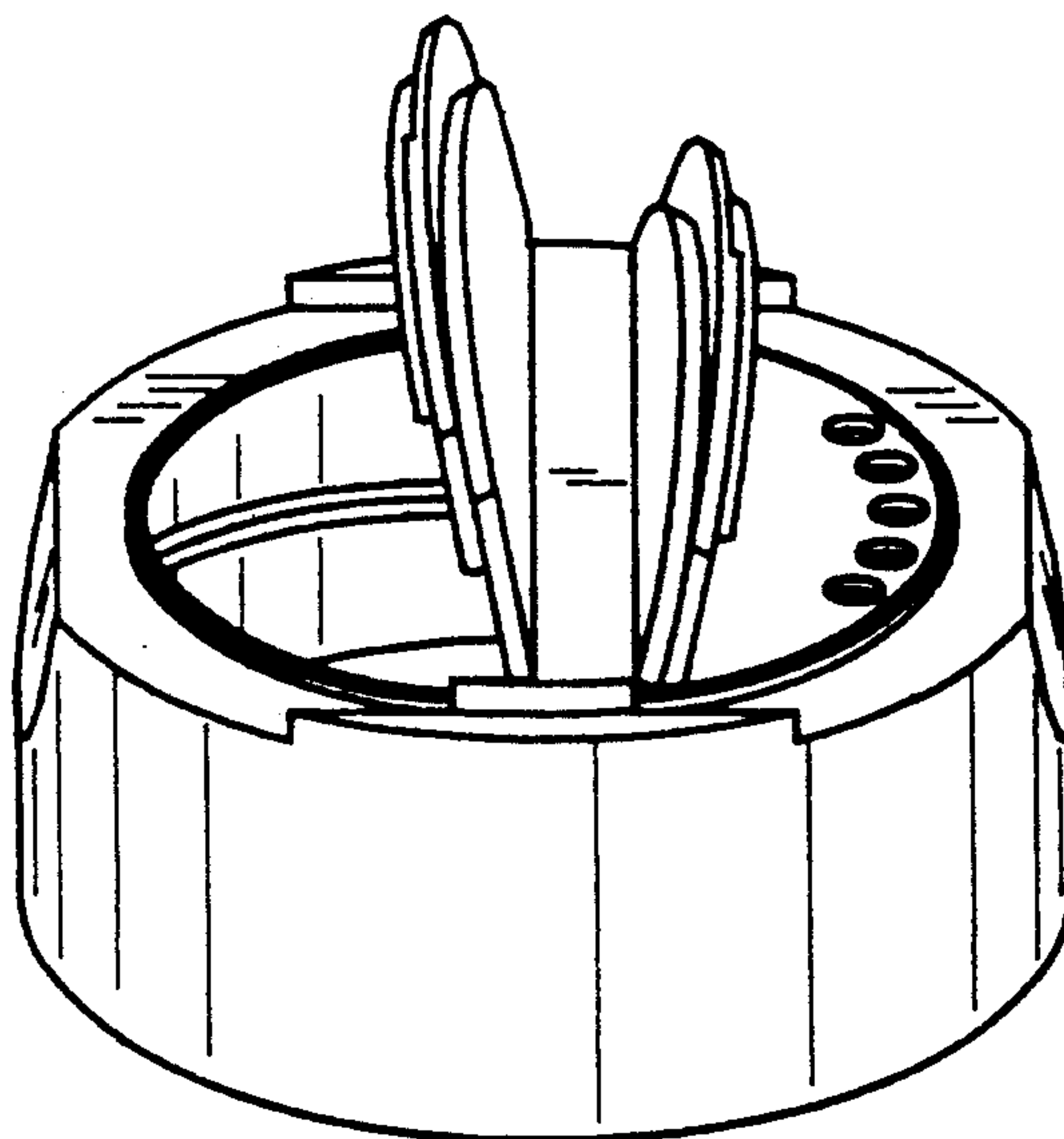
Assistant Examiner—Ann Hunt
Attorney, Agent, or Firm—Pearne, Gordon, McCoy & Granger

[57] **CLAIM**

The ornamental design for a two flap closure, as shown and described.

DESCRIPTION

FIG. 1 is a perspective view of a two flap closure showing my new design;
 FIG. 2 is a side elevational view taken from the left of FIG. 1;
 FIG. 3 is a top plan view thereof;
 FIG. 4 is a front elevational view thereof;
 FIG. 5 is a bottom plan view thereof;
 FIG. 6 is a side elevational view taken from the right of FIG. 1;
 FIG. 7 is a bottom perspective view thereof;
 FIG. 8 is a left side elevational view of a second embodiment of a two flap closure showing my new design, the front elevational and right side elevational views being the same as FIGS. 4 and 6 respectively; and
 FIG. 9 is a top plan view of the cap of FIG. 8.



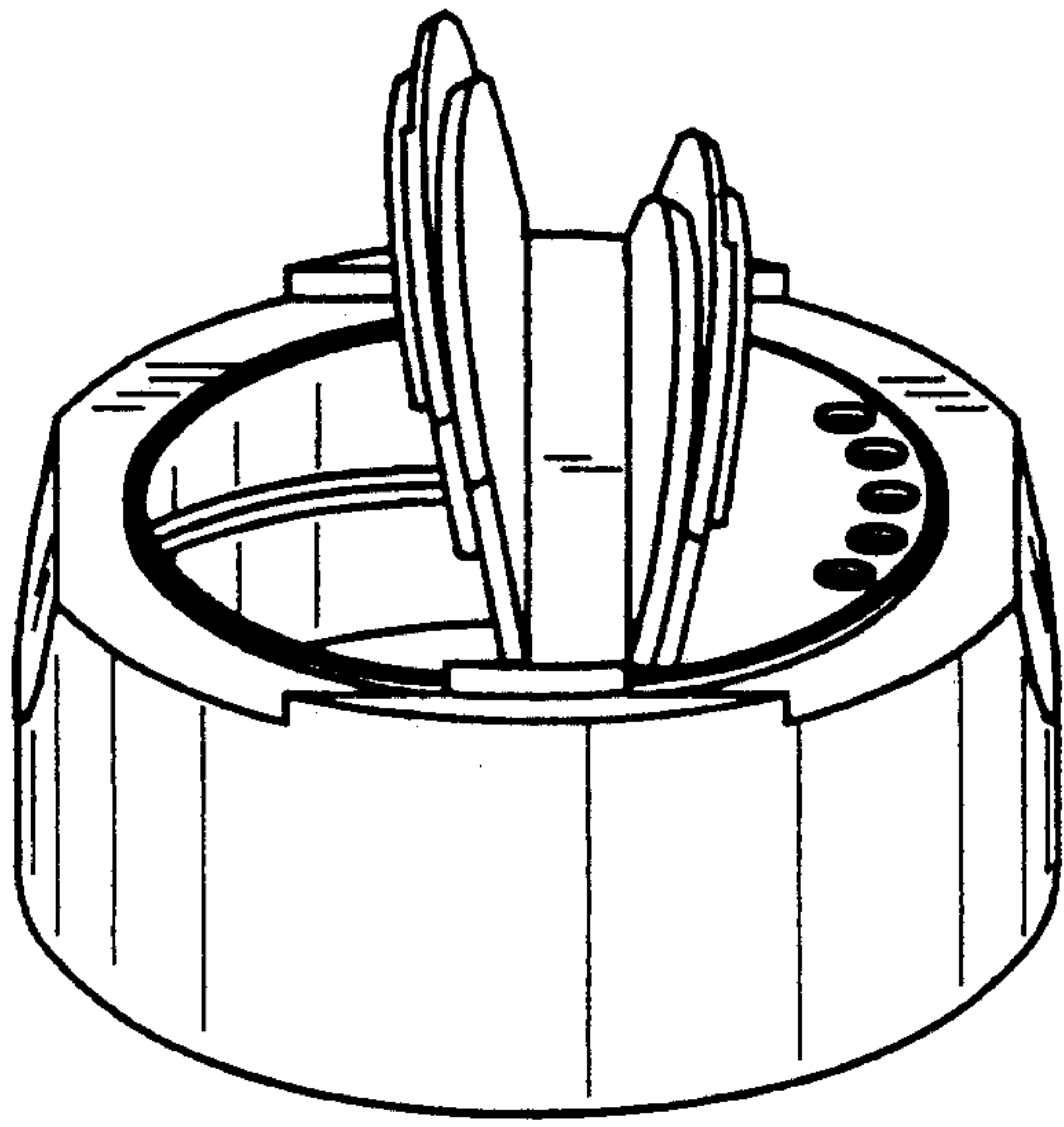


Fig. 1

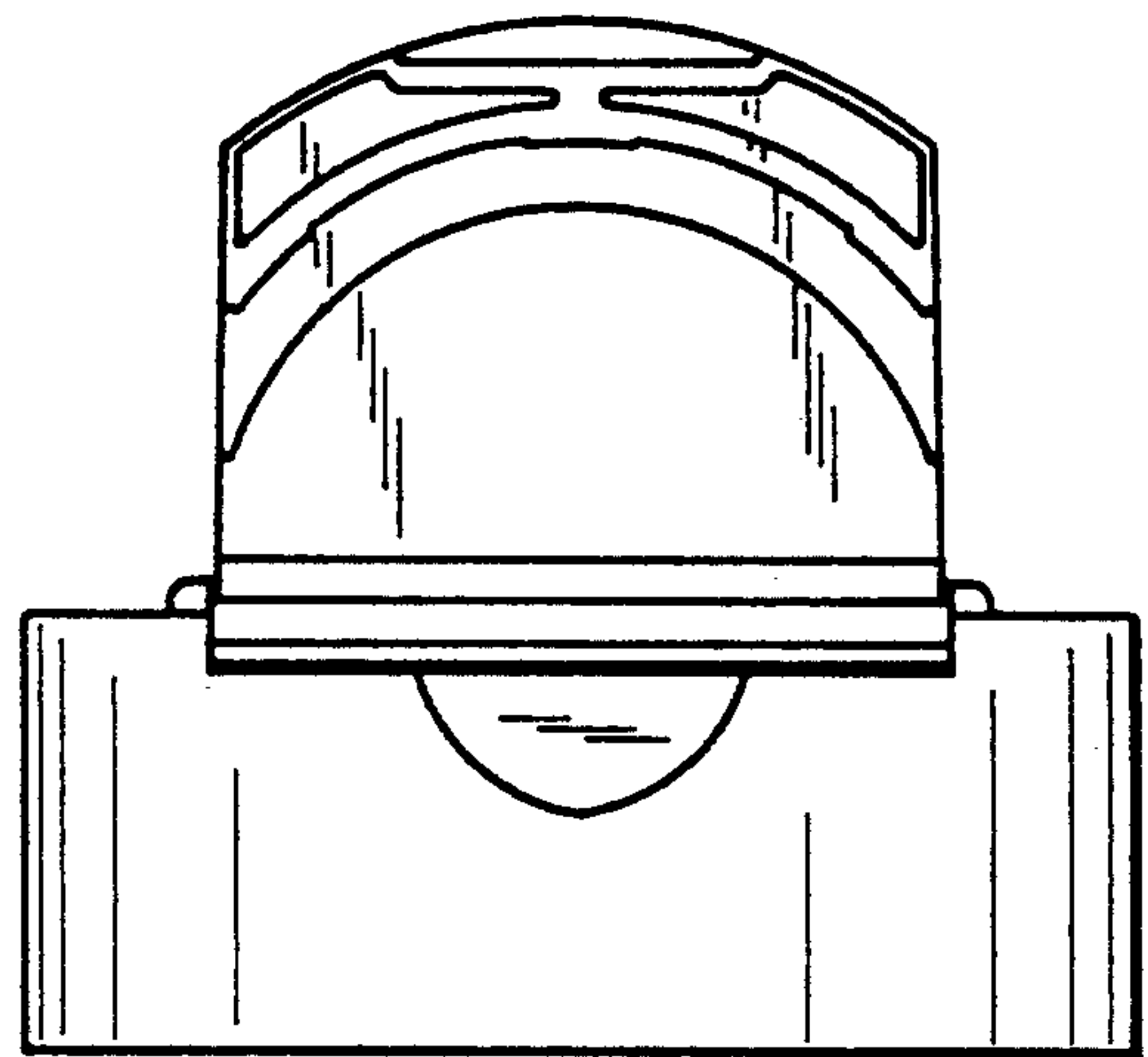


Fig. 2

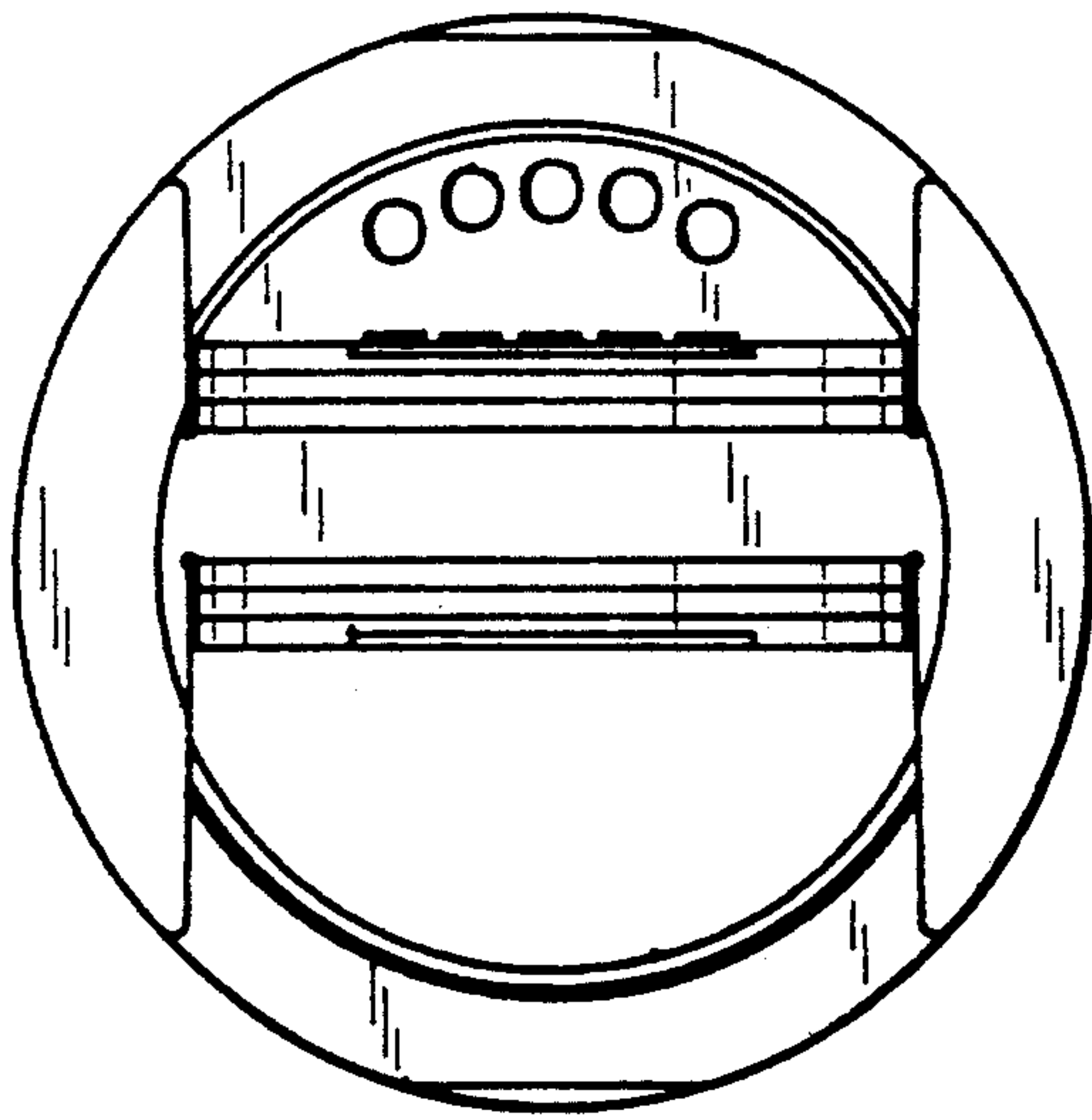


Fig. 3

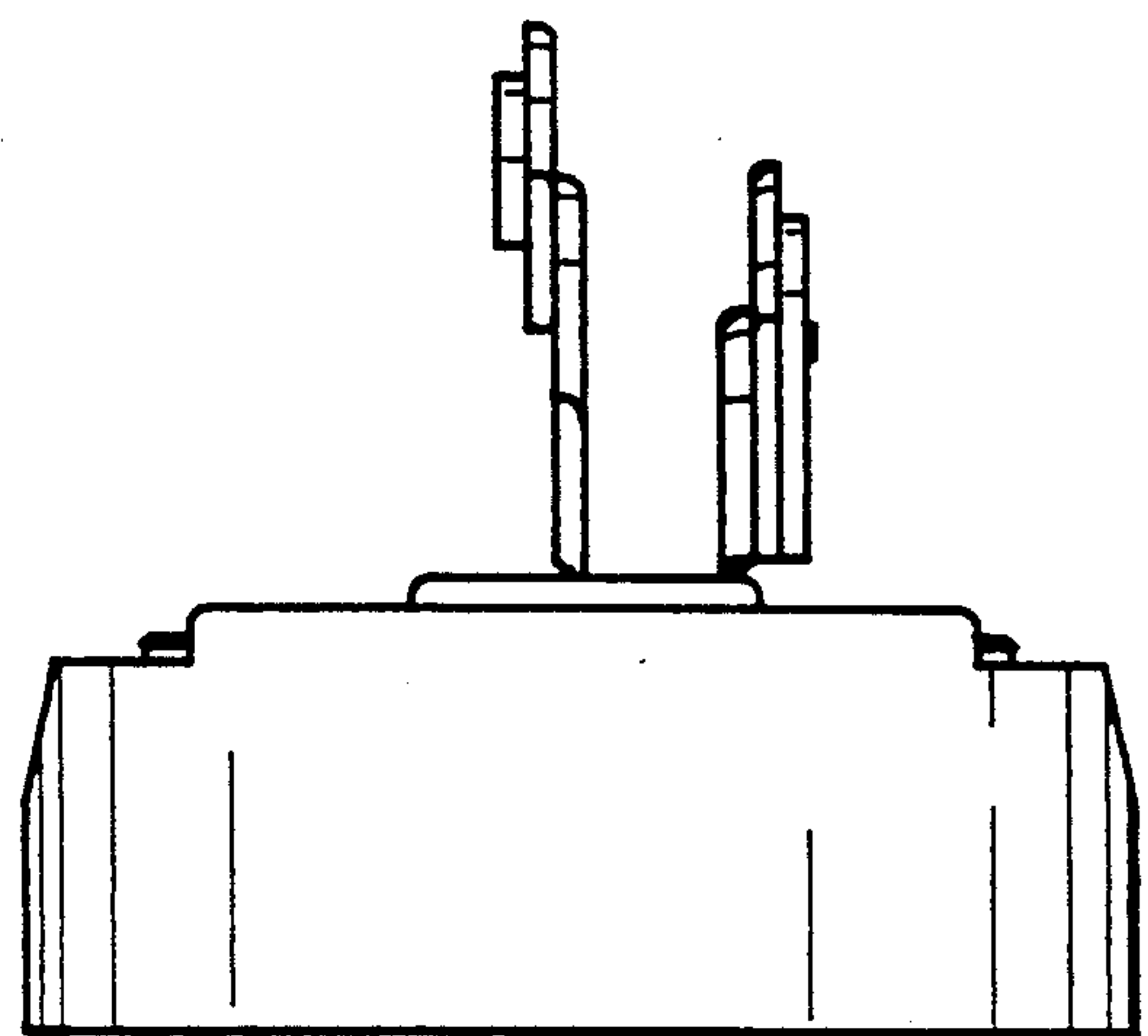


Fig. 4

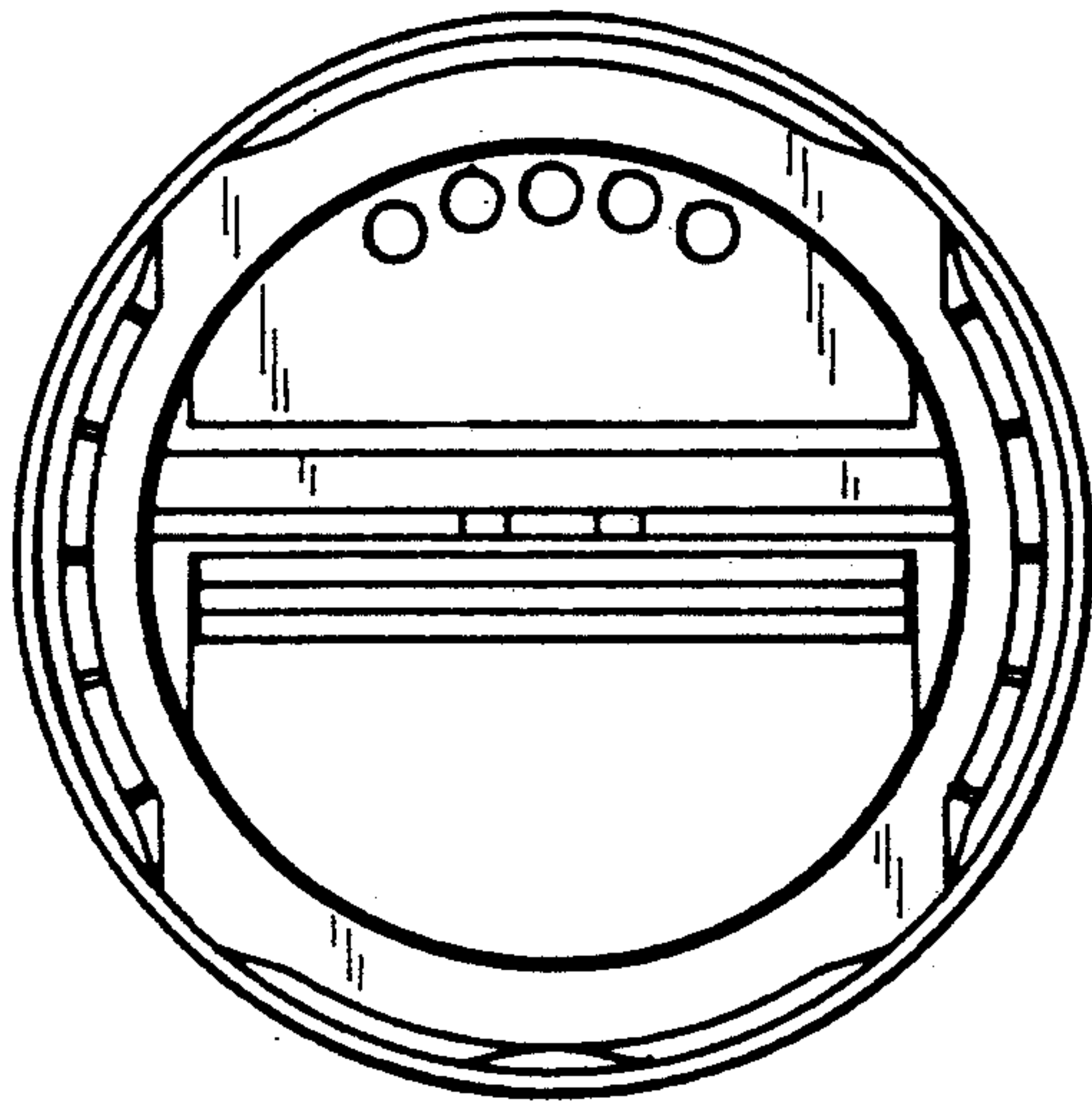


Fig. 5

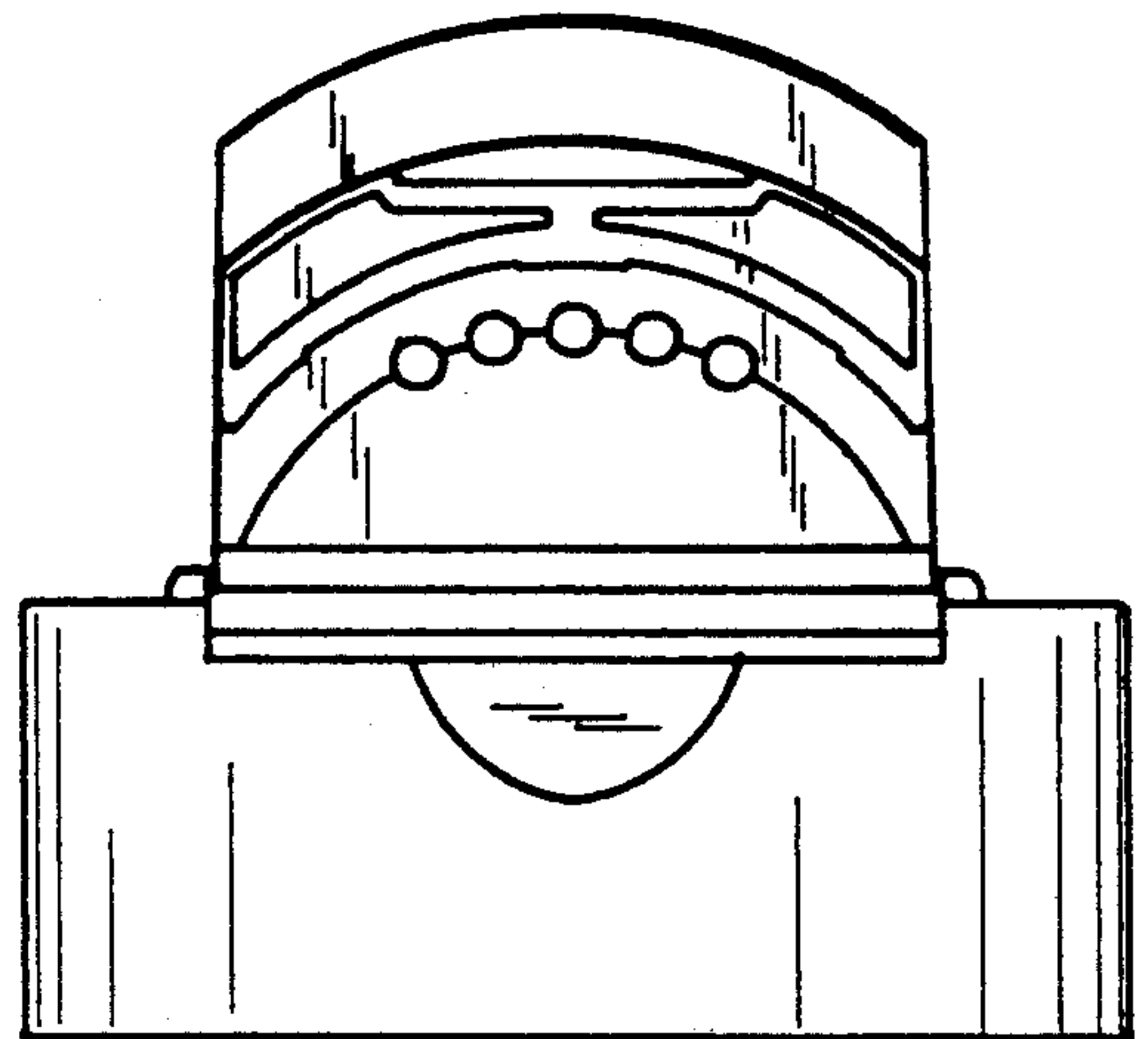


Fig. 6

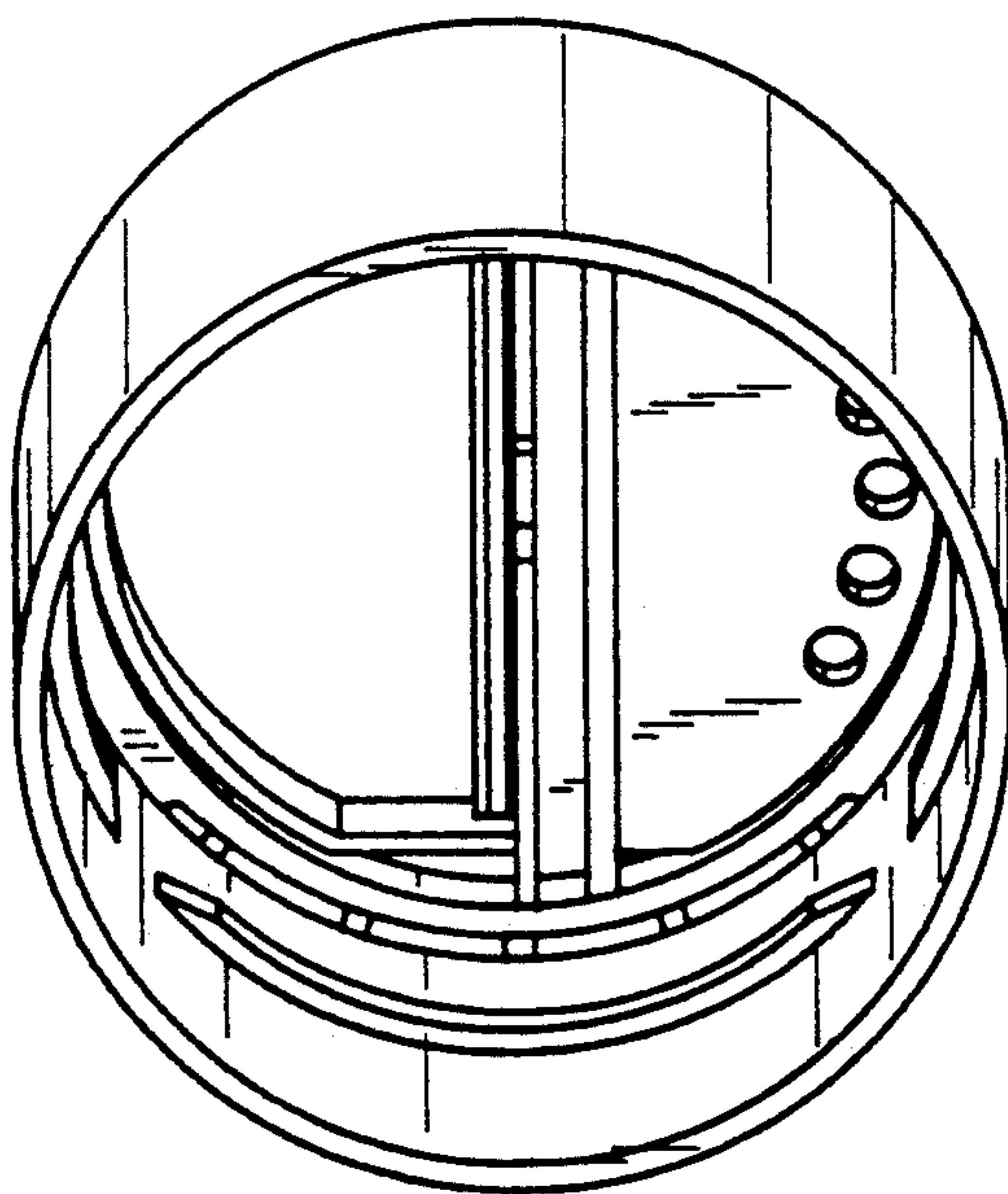


Fig. 7

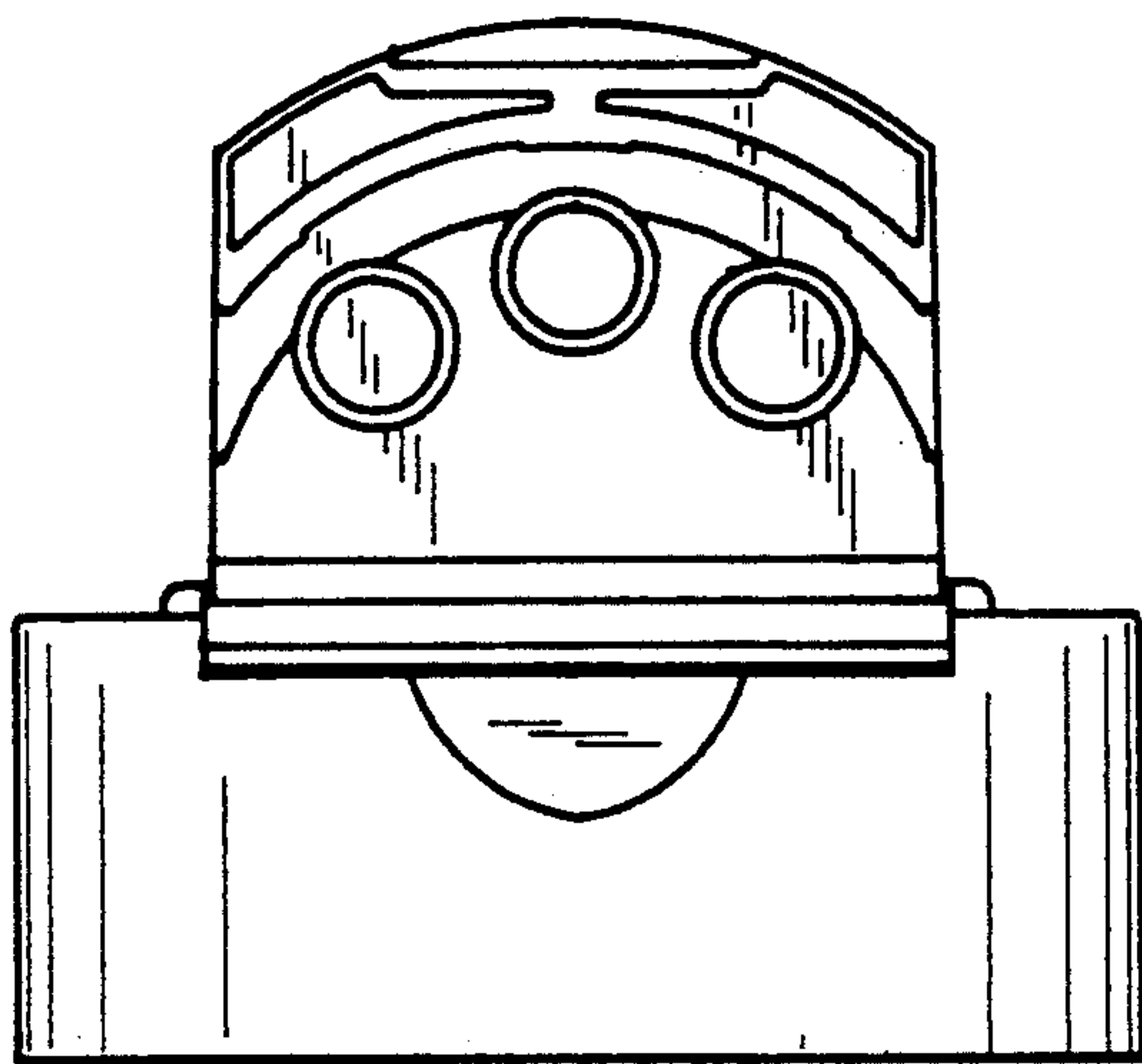


Fig. 8

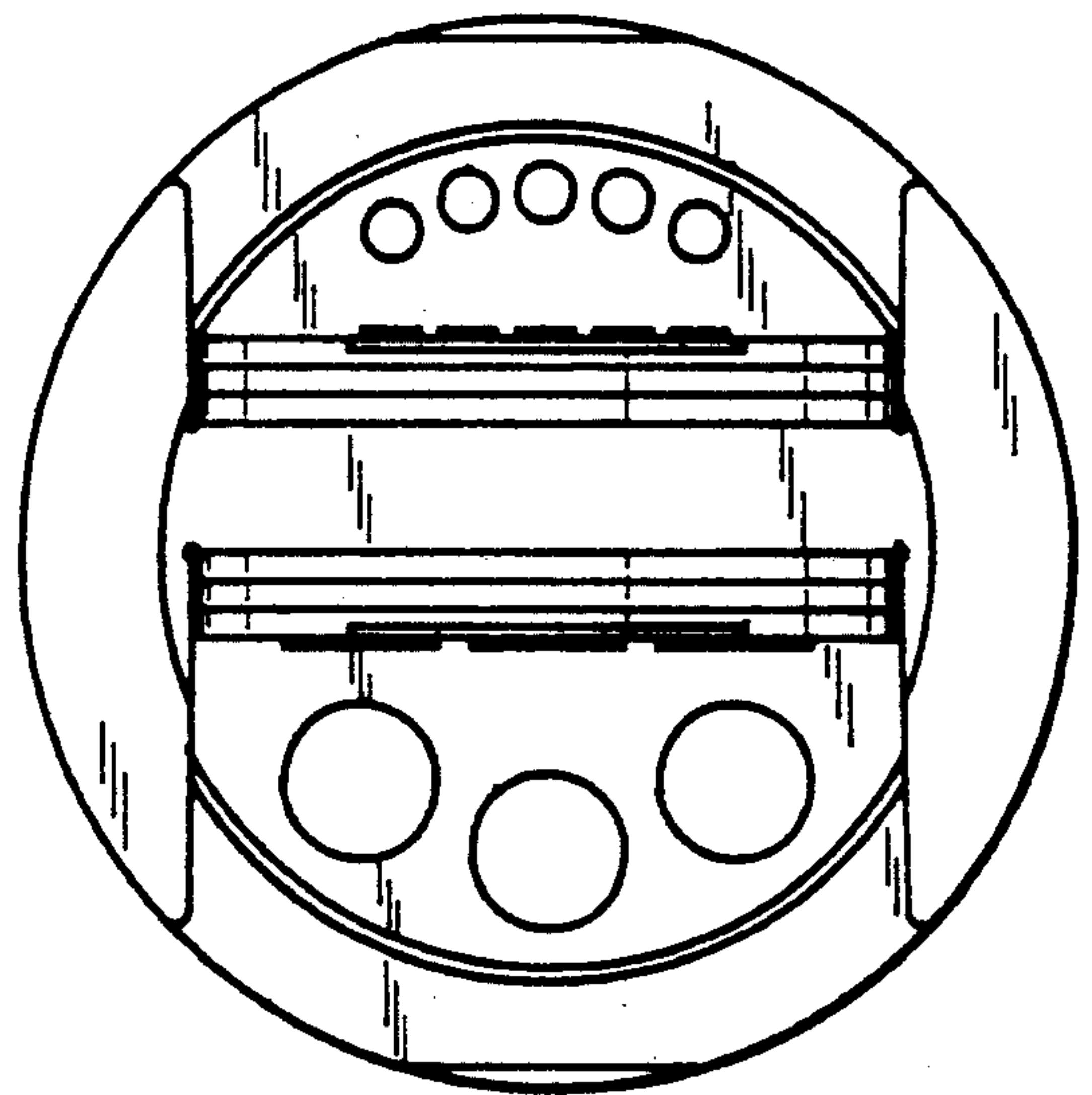


Fig. 9