



US00D340183S

# United States Patent [19]

[11] Patent Number: **Des. 340,183**

**Rumpel**

[45] Date of Patent: **\*\* Oct. 12, 1993**

[54] **CHRISTMAS LIGHT CLIP**

D. 317,252	6/1991	Rumpel	.....	D8/395
D. 325,866	5/1992	Gary	.....	D8/354
1,003,285	9/1911	Miller et al.	.....	248/65 X

[75] Inventor: **Donald Rumpel**, Smelterville, Id.

[73] Assignee: **Kellogg Plastics, Ltd.**, Smelterville, Id.

*Primary Examiner*—Wallace R. Burke  
*Assistant Examiner*—H. Baynham  
*Attorney, Agent, or Firm*—Wells, St. John, Roberts, Gregory & Matkin

[\*\*] Term: **14 Years**

[21] Appl. No.: **1,594**

[22] Filed: **Nov. 16, 1992**

[57] **CLAIM**

The ornamental design for a christmas light clip, as shown and described.

**Related U.S. Application Data**

[63] Continuation-in-part of Ser. No. 816,073, Dec. 26, 1991.

[52] U.S. Cl. .... **D8/395; D8/349**

[58] Field of Search ..... **D8/349, 395-396; 248/65, 74.2, 229; 24/339, 336**

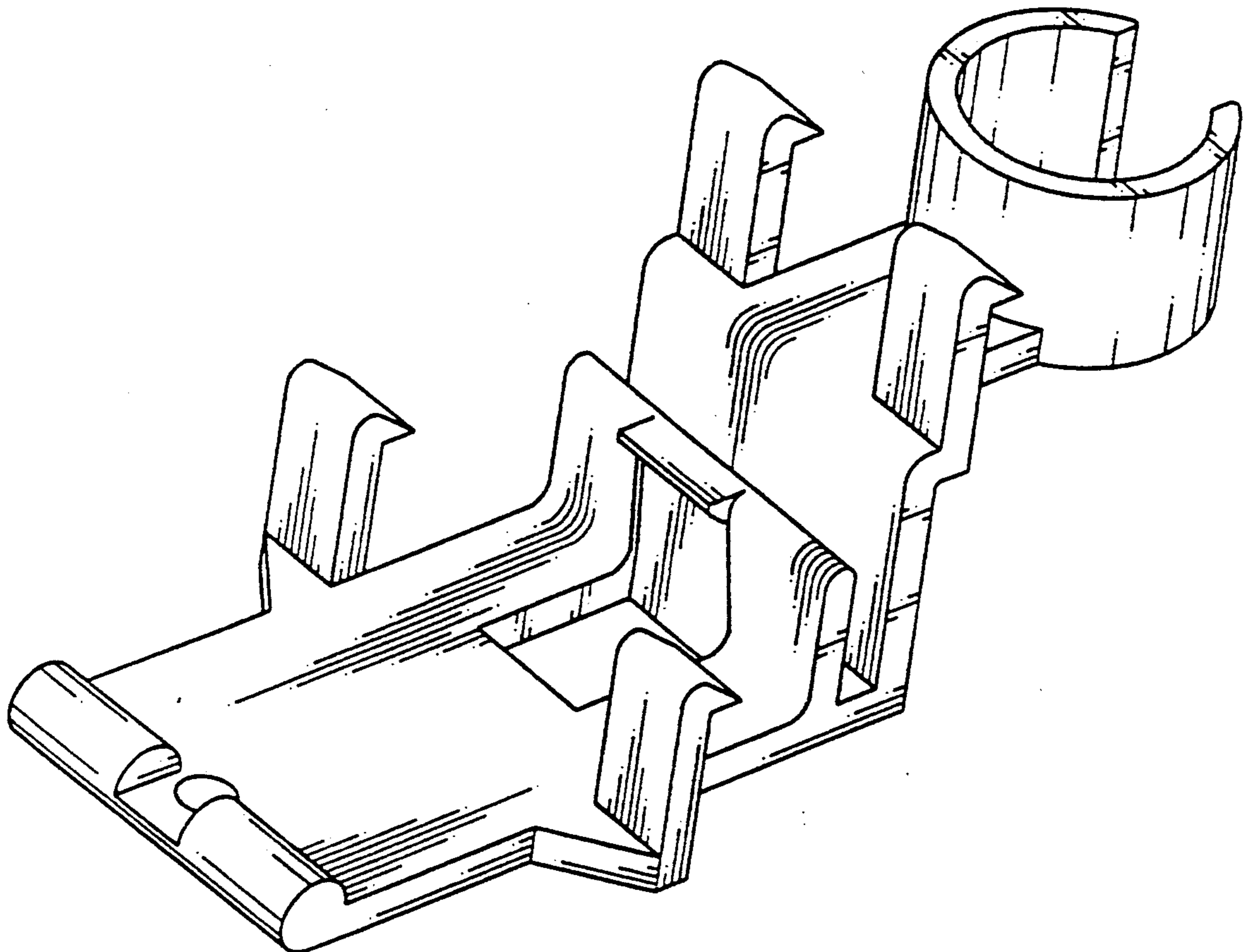
**DESCRIPTION**

FIG. 1 is a perspective view of a christmas light clip showing my new design;  
FIG. 2 is a top plan view thereof;  
FIG. 3 is a bottom plan view thereof;  
FIG. 4 is a side elevation view, the opposite side being a mirror image thereof;  
FIG. 5 is an end elevation view as seen from the left in FIG. 1; and,  
FIG. 6 is an end elevation view as seen from the right in FIG. 1.

[56] **References Cited**

**U.S. PATENT DOCUMENTS**

D. 297,616	9/1988	Doty et al.	.....	D8/395
D. 306,553	3/1990	Rumpel	.....	D8/395
D. 316,958	5/1991	Rumpel	.....	D8/395



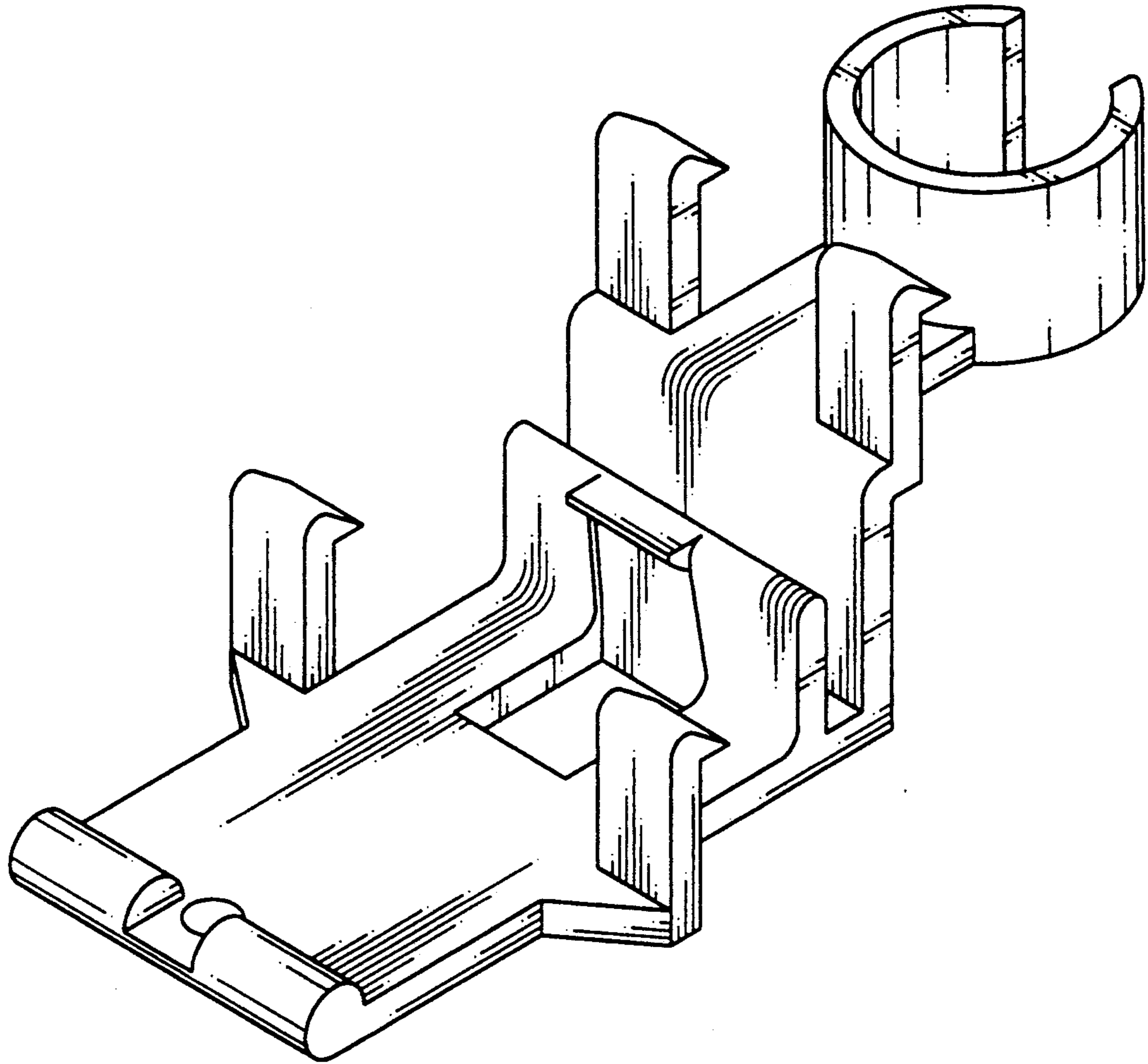
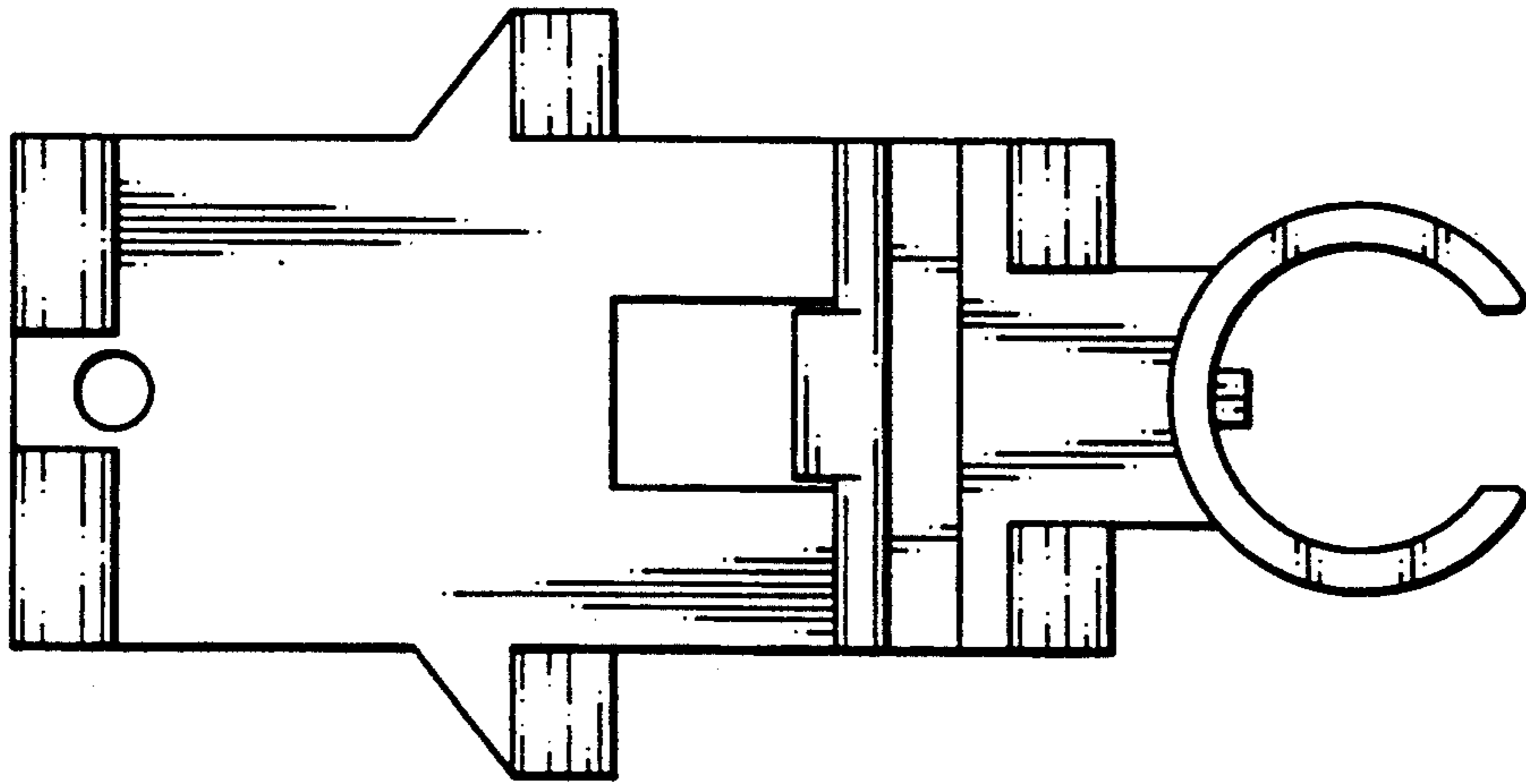
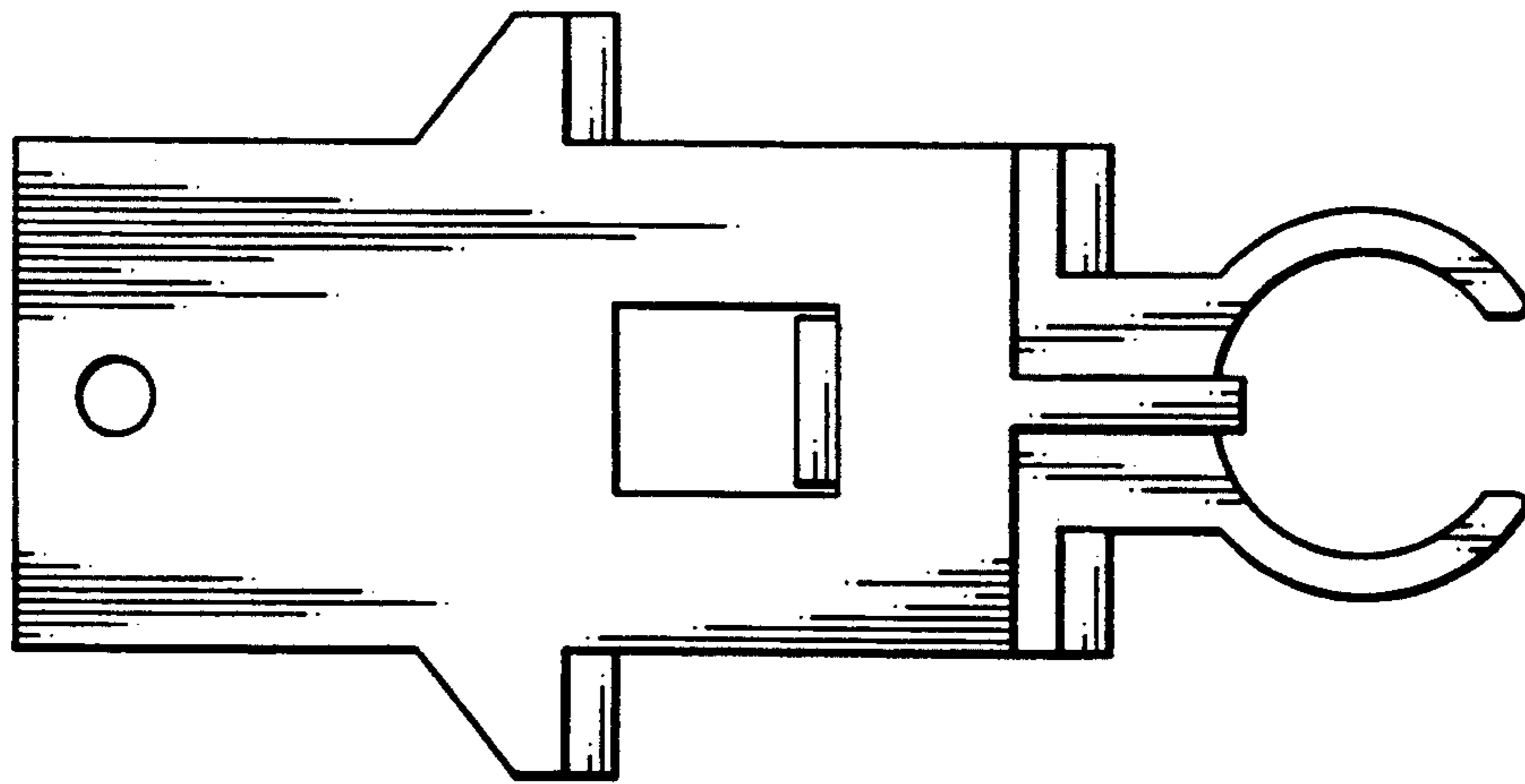


FIG. 1



*Fig. 2*



*Fig. 3*

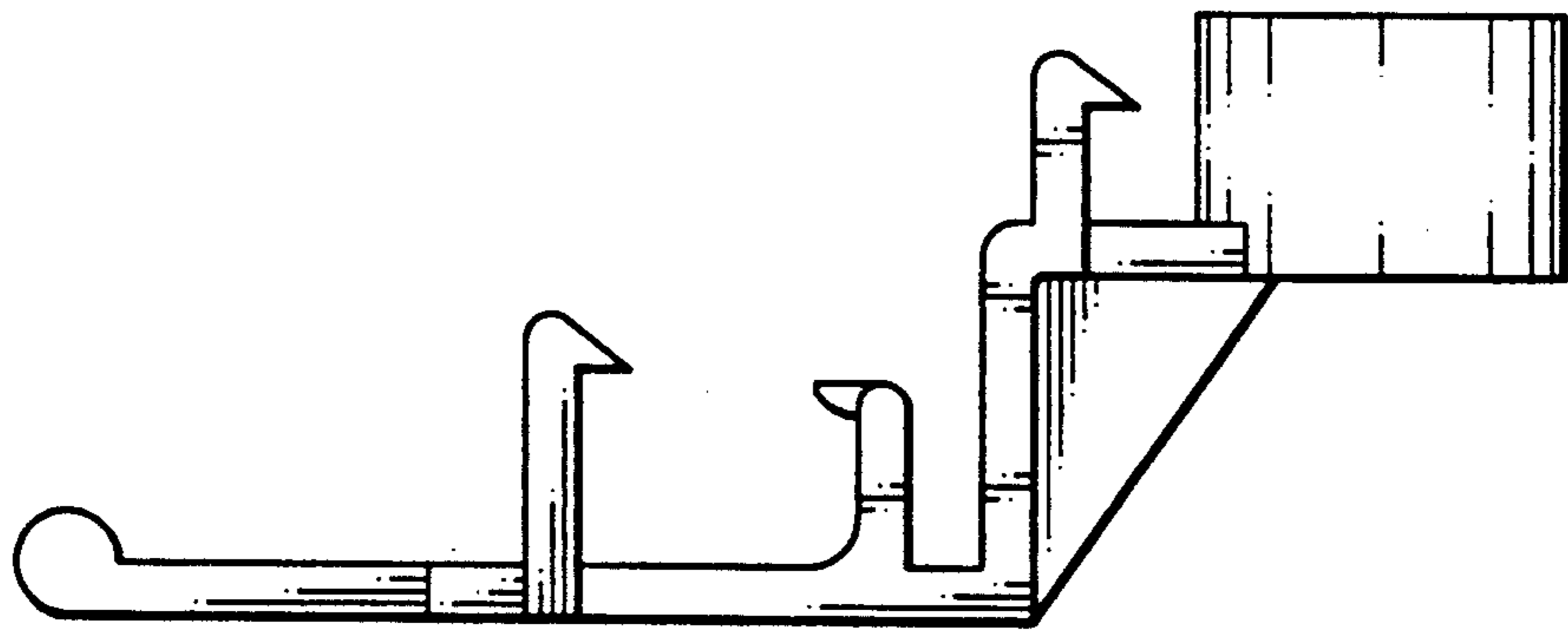


Fig. 4

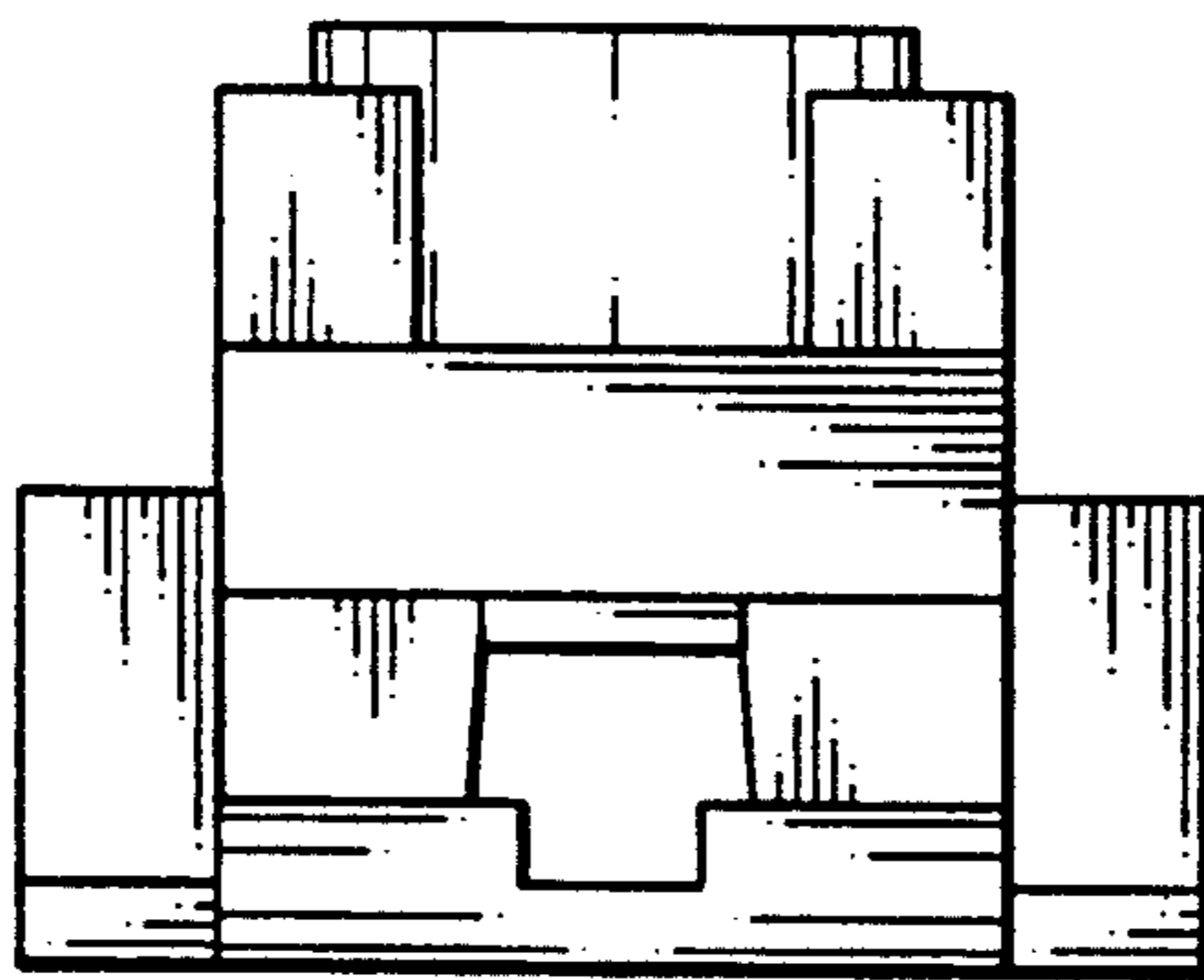


Fig. 5

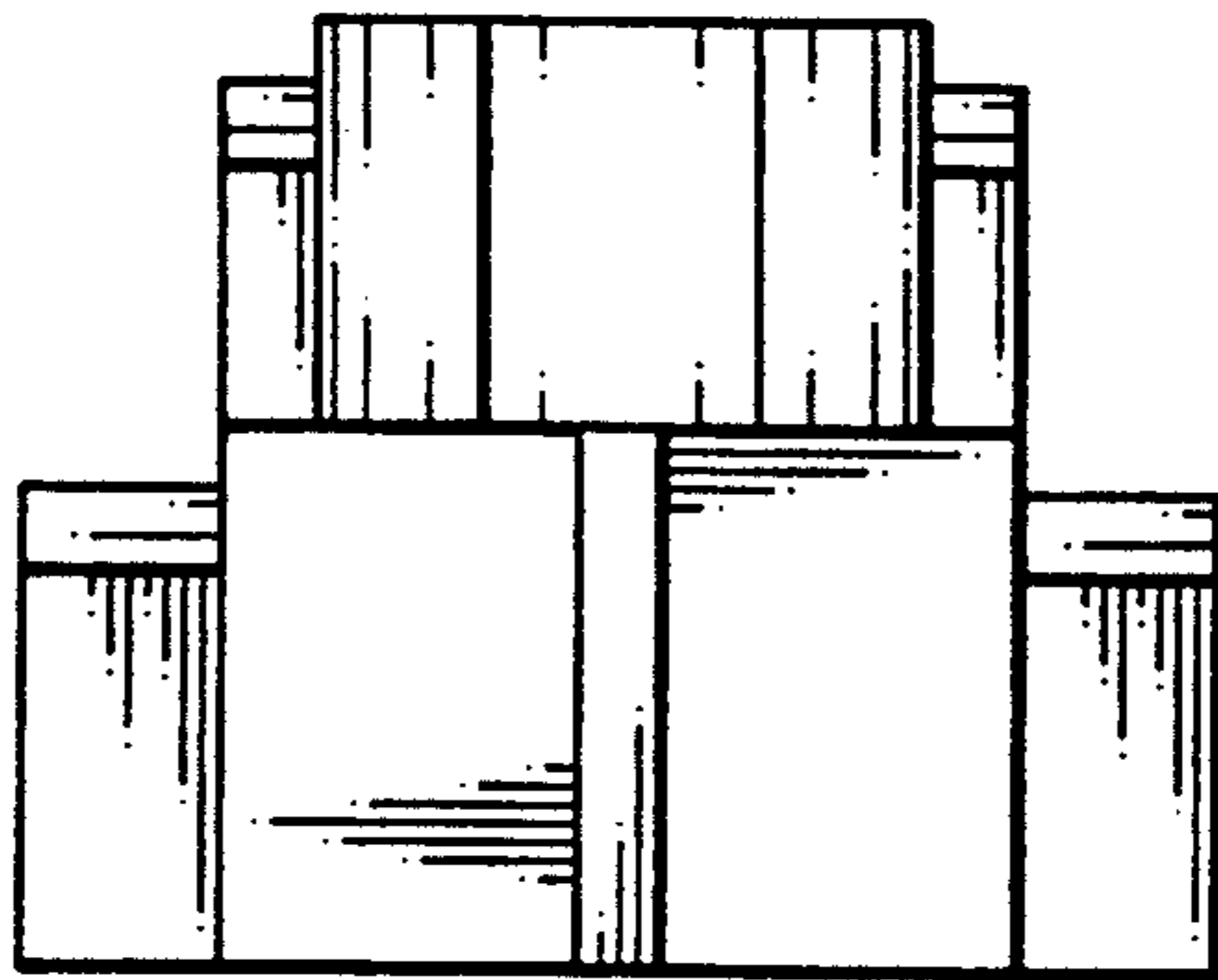


Fig. 6